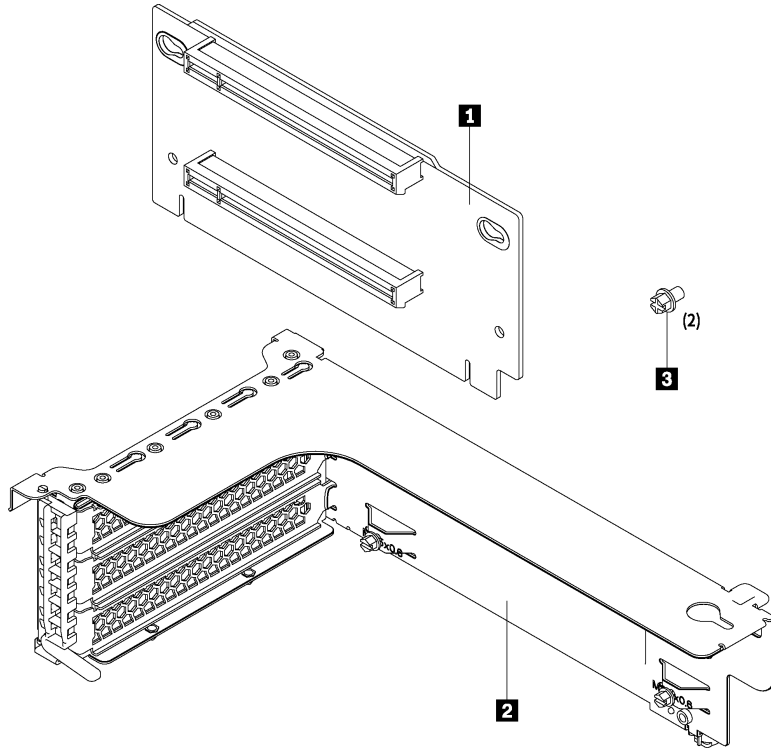


## ThinkSystem SR550/SR590/SR650 x16/x8 PCIe FH Riser 1 Kit

This document provides important information about ThinkSystem SR550/SR590/SR650 x16/x8 PCIe FH (Full-height) Riser 1 Kit.

The option package contains the following items:



**1** ThinkSystem SR550/SR590/SR650 x16/x8 PCIe FH riser card

**2** 2U 3FH riser bracket

**3** M3.5 screws (2)

**Note:** Some package items might be assembled together for easy shipping.

Store the documentation for future reference. For information about installing the option product, refer to the *Setup Guide* for your server. The most up-to-date *Setup Guide* is always available for download at:

<http://thinksystem.lenovofiles.com/help/index.jsp>

To get the latest technical information and download device drivers and updates, go to:

<http://www.lenovo.com/support>

---

**First Edition (August 2017)**

**© Copyright Lenovo 2017.**

**Lenovo and the Lenovo logo are trademarks of Lenovo in the United States, other countries, or both. Other company, product, or service names may be trademarks or service marks of others.**

LIMITED AND RESTRICTED RIGHTS NOTICE: If data or software is delivered pursuant to a General Services Administration "GSA" contract, use, reproduction, or disclosure is subject to restrictions set forth in Contract No. GS-35F-05925.