



COMBINE  
 MOUNTING RAILS  
 TO CREATE LONGER  
 INSTALLS

# BT8390-EXT

## SYSTEM X™

### HORIZONTAL RAIL EXTENSION KIT



The BT8390-EXT is an extension kit designed to extend rails to a desired length, perfect for creating large menu boards, video walls and other digital signage installations. The kit consists of 6 steel joining bars which fit into the channels on either side of the mounting rail. The joining bars are then held firmly together using the internal grub screws. The underside of the joining bars feature spring-loaded bearings which allows the bars to move easily into their fixed position.

#### SPECIFICATION

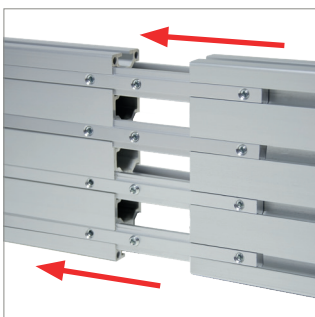
Joining Bars per kit	6
Dimensions (per joining bar)	L:180mm W:12mm D:8mm
Colour	Zinc

#### FEATURES

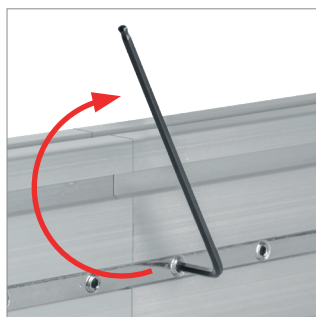
- Combines BT8390 Horizontal Mounting Rails to create longer lengths
- Joining bars are made from 6mm thick steel
- Spring-loaded bearings allow the joining bars to move easily into position
- Rails slide easily into position to create a seamless join
- High-end aesthetic quality
- Securely lock the mounting rails in place using the internal grub screws
- Seamless finish maintains the premium quality of the product
- All mounting hardware included
- 6 joining bars supplied with each kit



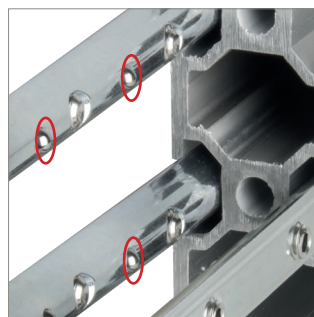
SYSTEM X™  
 COMPONENT PART



Rails slide easily into position to create a seamless join



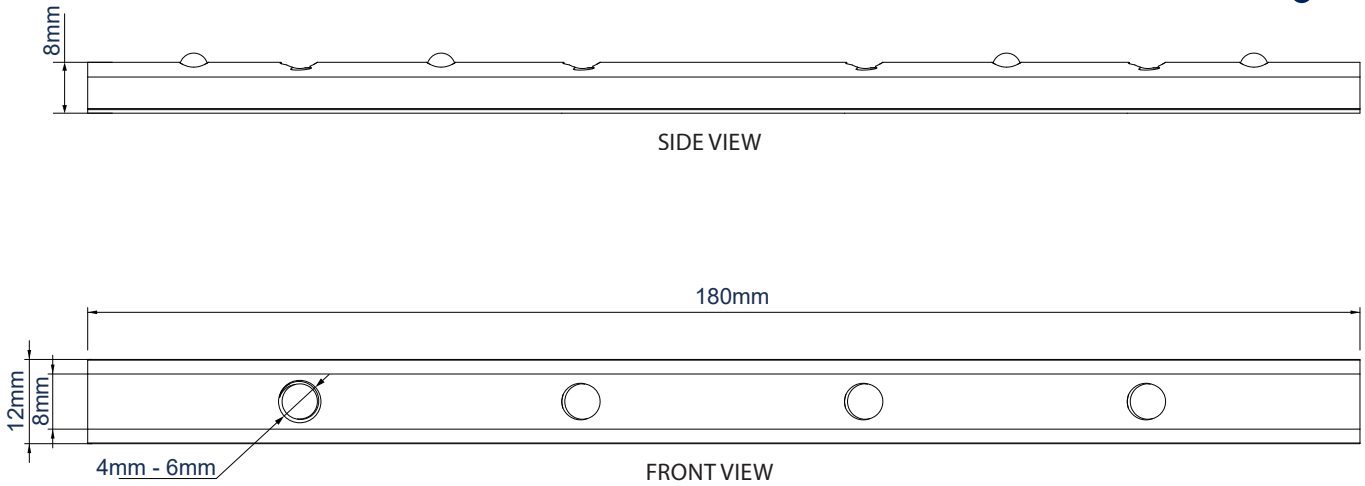
Securely lock the mounting rails in place using the locking bar's internal grub screws



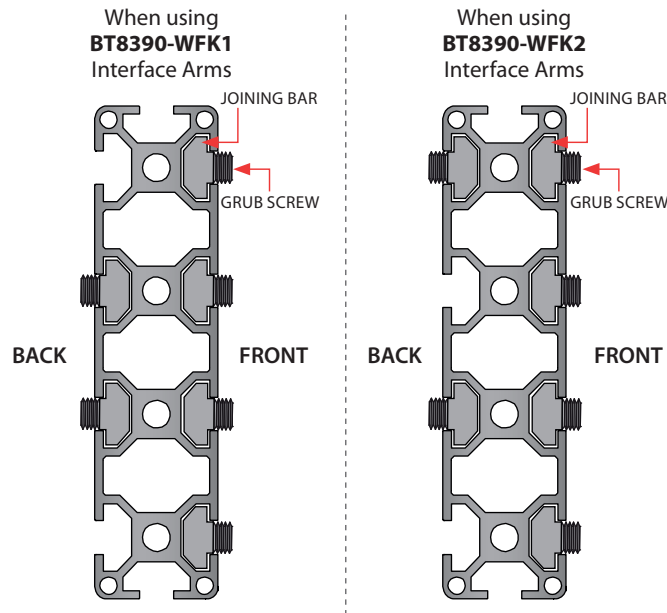
Spring-loaded bearings allow the joining bars to move easily into position



Seamless finish maintains the premium quality of the product



**REQUIRED BT8390-EXT ASSEMBLY**



**PACKING INFORMATION**

COLOUR:	ORDER REF:	EAN CODE:	MASTER CARTON QTY:	INNER CARTON QTY:	MASTER CARTON WEIGHT:	MASTER CARTON CUBE:
Silver	BT8390-EXT/S	5019318501296	1	0	0.52kg	0.001cbm

**ORIGINAL DESIGNS BY B-TECH AV MOUNTS - REGISTERED DESIGNS & PATENTS APPLY**

**ACCESSORIES AND RELATED PRODUCTS**



**BT8390-030/050/070/150/175/200**  
Wall Fixing Kits fit directly to Mounting Rails to create a huge range of wall mounting solutions.



**BT8380-060/180**  
Vertical Columns are used to create a vertical support for many System X installations



**BT8390-WFK1**  
BT8390-WFK1s are designed for wall mounting installations using fixed or tilt arms.



**BT8390-WFK2**  
BT8390-WFK2s are designed for wall mounting installations using Micro Adjustment or Pop-Out Arms.

© 2019 B-Tech Av Mounts. All rights reserved. This information is provided for informational purposes only. It is not intended to be used as a substitute for professional advice. B-Tech Av Mounts is not responsible for any damage or loss of data resulting from the use of this information. B-Tech Av Mounts is not responsible for any damage or loss of data resulting from the use of this information. B-Tech Av Mounts is not responsible for any damage or loss of data resulting from the use of this information.