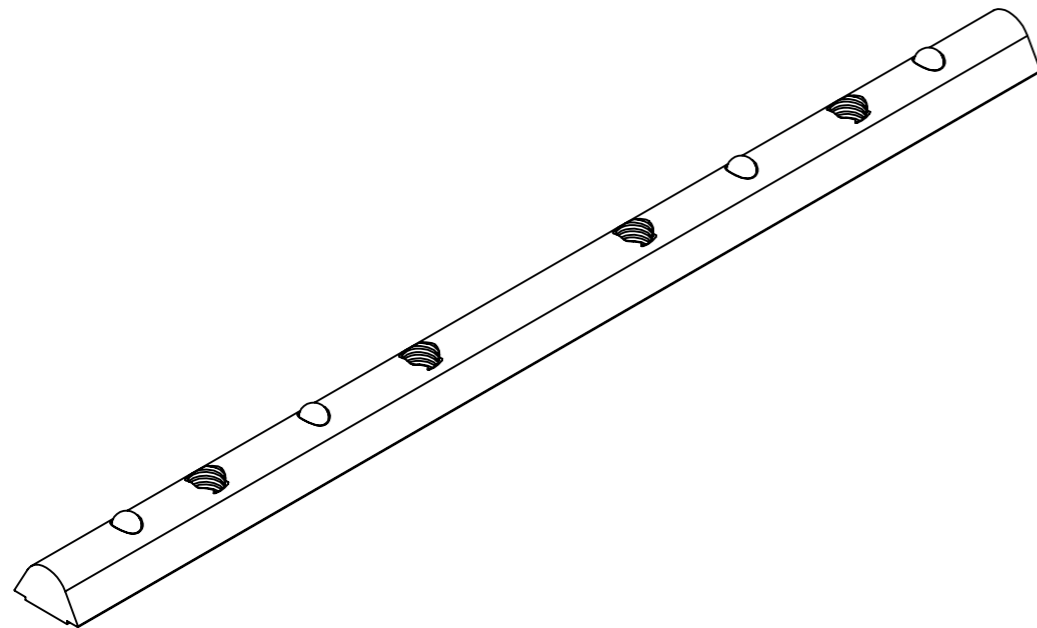
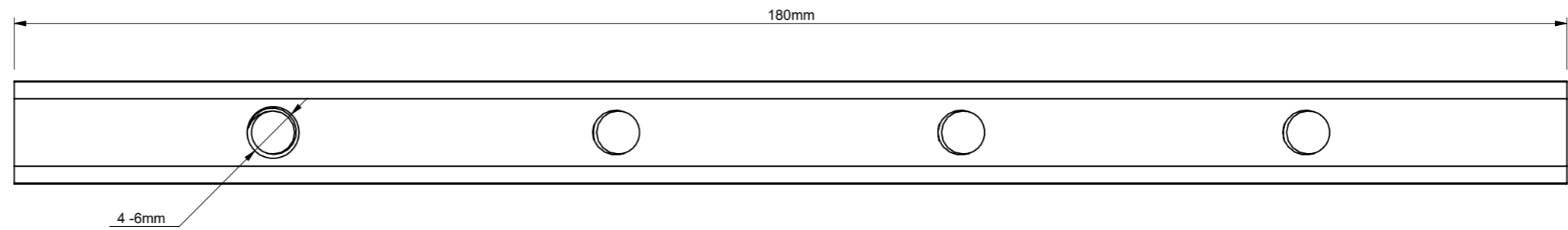
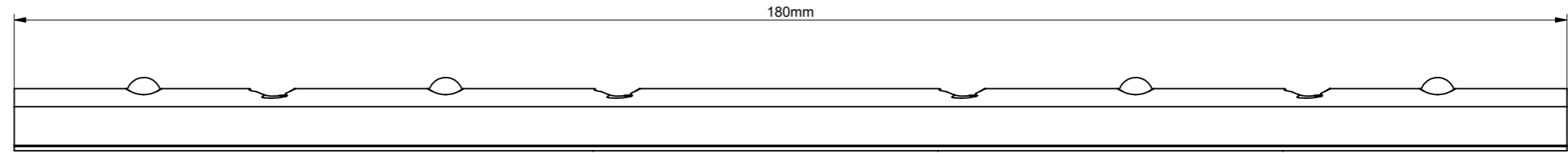
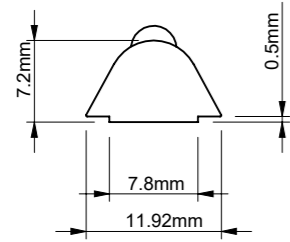



THE INFORMATION CONTAINED IN THIS DRAWING IS THE SOLE PROPERTY OF B-TECH INTERNATIONAL DESIGN AND MANUFACTURING LIMITED, ANY REPRODUCTION IN PART OR WHOLE WITHOUT THE WRITTEN PERMISSION OF B-TECH INTERNATIONAL DESIGN AND MANUFACTURING LIMITED IS PROHIBITED.



B-Tech International Design and Manufacturing Limited		B-Tech No: BT8390-EXT
Part of the B-Tech International Group of Companies		Version: V1.2
 UNLESS OTHERWISE SPECIFIED DIMENSIONS ARE IN MILLIMETERS	Size: A3	Title: Steel Connector With 4 Spring Balls
	Scale: 3:2	Revision: 0.2
Sheet: 1 of 1	Date: 21/03/2016	File Name: BTD-BT8390-EXT-R0.2