



B-TECH AV MOUNTS™

IDEAL FOR
MULTI-SCREEN
INSTALLATIONS

BT8390-VESA400F SYSTEM X™ UNIVERSAL INTERFACE ARMS FOR MEDIUM / LARGE SCREENS

SYSTEM X
COMPONENT PART



Ideal for single row, multi-screen installations, these interface arms are designed to mount small to medium sized screens in a fixed position along System X horizontal mounting rails. The universal design is compatible with a variety of different screens and allows them to be mounted in either landscape or portrait orientations. Levelling screws on each interface arm provides post installation height adjustment and a mounted depth of 48mm from the wall allows easy access for cables and connectors.

SPECIFICATION

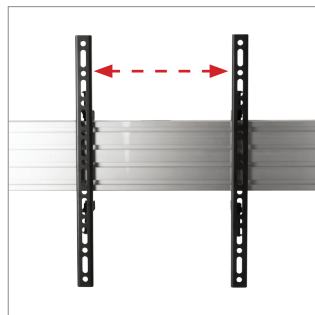
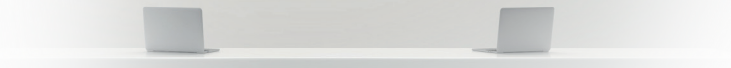
Recommended screen size	42" - 65"
Max load	70kg
VESA® & non-VESA fixings	up to 400mm* (vertical dimension)
Depth (typical wall mounted install)	48mm
Colour	Black

Supplied in pairs

*The VESA specification of the BT8390-VESA400F refers to the vertical dimension only. All System X interface arms can be positioned as far along the rail as necessary.

FEATURES

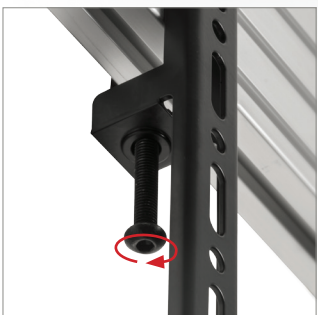
- Part of the System X range for use in a variety of applications
- Ideal for menu boards and other multi-screen installations
- Universal design compatible with most screens
- Suitable for landscape or portrait mounting
- High-end aesthetic quality
- Lateral adjustment - position arms anywhere along the length of the rail
- Includes levelling screws to adjust the screen height
- Safety screws help prevent unauthorised removal of screens
- Simple 'hook-on' installation
- All mounting hardware included



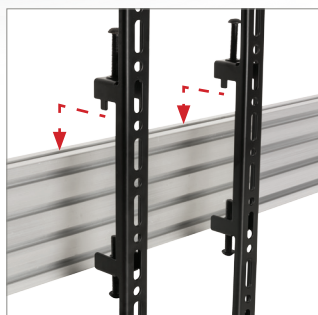
Position arms anywhere along the length of the rail



Arms feature levelling screws to adjust the screen height

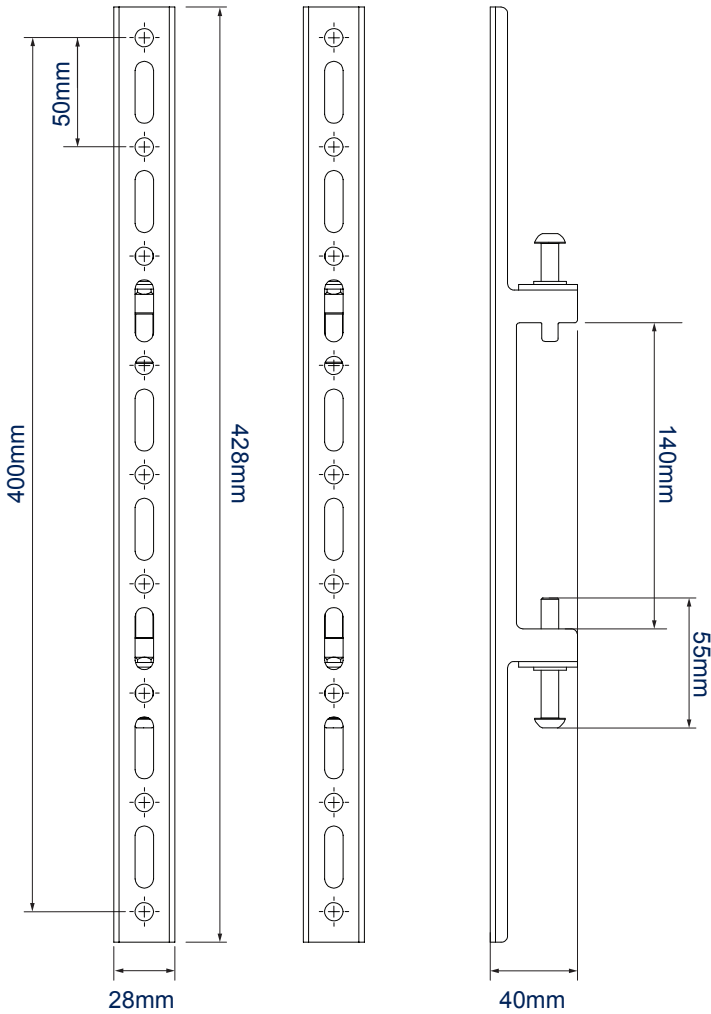


Safety screws help prevent unauthorised removal of screens



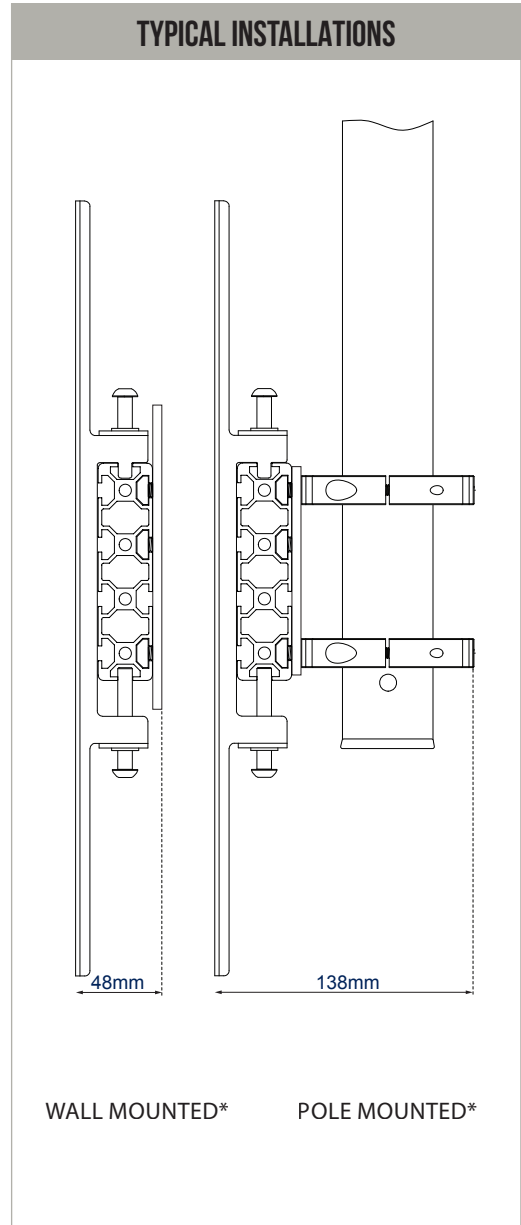
Simple 'hook-on' installation





FRONT VIEW

SIDE VIEW



WALL MOUNTED*

POLE MOUNTED*

PACKING INFORMATION

COLOUR:	ORDER REF:	EAN CODE:	MASTER CARTON QTY:	INNER CARTON QTY:	MASTER CARTON WEIGHT:	MASTER CARTON CUBE:
Black	BT8390-VESA400F/B	5019318501210	13	0	18kg	0.046cbm

*Please note all other components shown in the technical drawings are available separately.

ACCESSORIES AND RELATED PRODUCTS



BT7564
Interface Adaptor Arms for VESA 600 x 400 can be used with VESA 200 or 400 arms to increase the maximum vertical fixings to 600mm for larger screens



BT8390-WFK1
Wall Fixing Kits are used to fix mounting rails securely to the wall



BT8390-030/050/070/150/175/200
Mounting Rails can be attached to columns, walls or poles using System X components



BT8390-VESA400T
VESA 400 Interface Arms with Tilt mount medium - large sized screens to mounting rails, with a tilt range of up +20°

© 2019 B-Tech International Design & Manufacturing Ltd. All rights reserved.
 The information in this specification sheet reflects the current technical specifications at the time of print.
 We warrant the right to target the technical or physical specifications without prior notice. This B-Tech International Design & Manufacturing Ltd.
 is not responsible for loss or damage caused by improper installation or mounting on unsuitable structures. Any reproduction or retransmission or replication of any part of this
 specification is expressly prohibited unless prior written permission has been granted by B-Tech International Design & Manufacturing Ltd. (BTECH).
 SS-V1.1-BT8390-VESA400F-170817 European Trademark No.: 002741256-0025