



B-TECH AV MOUNTS™

**MOUNT
BT8390 RAILS
TO A WALL**

BT8390-WFK1

SYSTEM X™

RAIL MOUNTING BRACKET - 5MM

The BT8390-WFK1 is a bracket designed to fix BT8390 mounting rails onto walls, for the installation of menu boards and other multi-screen configurations. The slim yet sturdy 5mm thick plate is designed for installations using fixed or tilting interface arms from the System X range and keeps the profile of finished installations to a minimum.

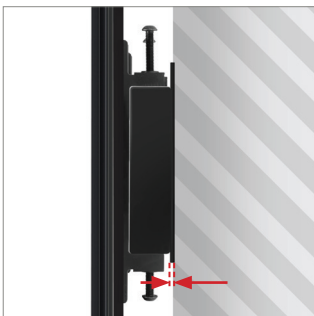
SPECIFICATION

Compatible interface arms	BT8390-VESA200F, 200T, 400F, 400T
Distance from wall (to front of rail)	35mm
Colour	Black
Brackets supplied (per pack)	1
Quantity of brackets required per rail length (landscape installs):*	
<i>Rail Length</i>	<i>Qty</i>
0 - 2000mm	2pcs
2001 - 3500mm	3pcs
3501 - 5500mm	4pcs
5501 - 7750mm	5pcs
7751 - 8500mm	6pcs

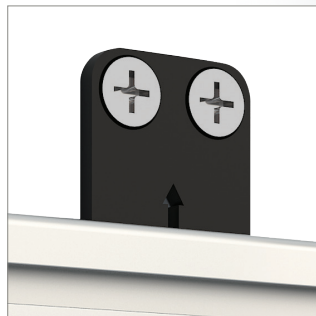
*Use B-Tech's online configuration tool to automatically calculate the quantity required based on your configuration. www.btechavmounts.com/systemx-configurator

FEATURES

- Designed to allow BT8390 horizontal rails to be mounted to the wall
- Ideal for close-to-the-wall installations, mounting rails only 5mm from the wall
- Countersunk screws sit flush with the plate for a neat installation
- All mounting hardware included



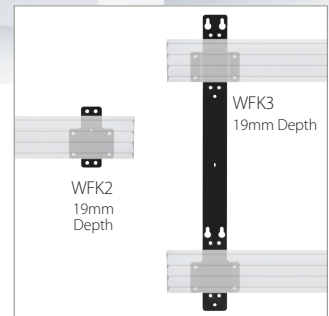
Ideal for close-to-the-wall installations, mounting rails only 5mm from the wall



Countersunk screws sit flush with the plate for a neat installation

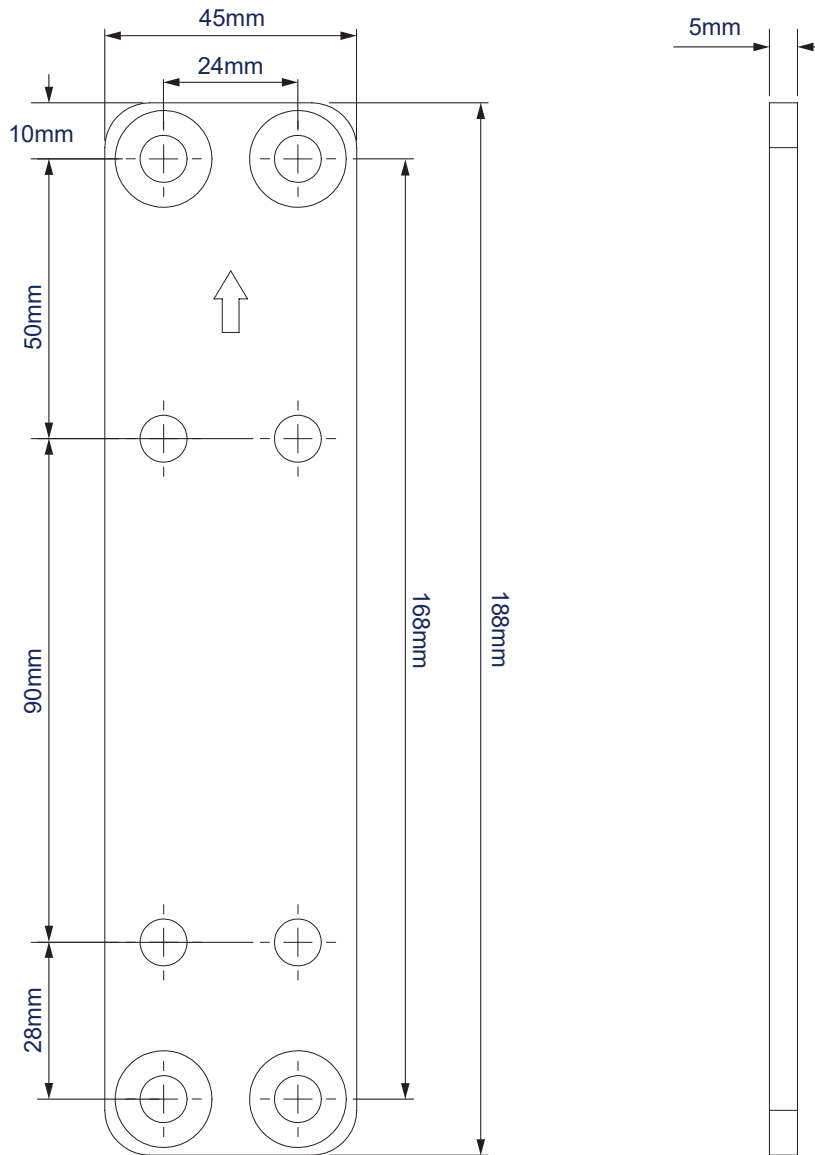


All mounting hardware included



Alternative Rail Mounting Brackets are available, please see **BT8390-WFK2** & **BT8390-WFK3**





FRONT VIEW

SIDE VIEW

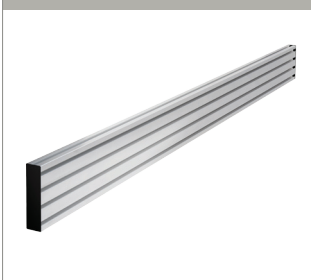
PACKING INFORMATION

ORIGINAL DESIGN BY B-TECH - REGISTERED COMMUNITY DESIGN NO.: 002741256-0028

COLOUR:	ORDER REF:	EAN CODE:	MASTER CARTON QTY:	INNER CARTON QTY:	MASTER CARTON WEIGHT:	MASTER CARTON CUBE:
Black	BT8390-WFK1/B	5019318501265	50	0	22.5kg	0.04cbm

ACCESSORIES AND RELATED PRODUCTS

BT8390-030/050/070/150/175/200



Mounting Rails can be fixed to columns, walls or poles using System X components

BT8390-VESA200F



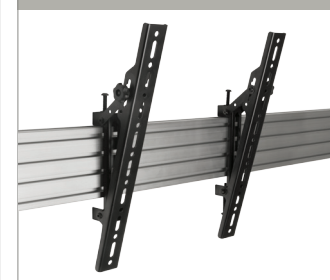
VESA 200 Interface Arms are designed to mount small - medium sized screens in a fixed vertical position to mounting rails

BT8390-VESA400F



VESA 400 Interface Arms are designed to mount medium - large sized screens in a fixed vertical position to mounting rails

BT8390-VESA400T



VESA 400 Interface Arms with Tilt mount medium - large sized screens to mounting rails, with a tilt range of up +20°

© 2015 B-Tech Av Mounts. All rights reserved. The information in this specification is subject to change without notice. B-Tech Av Mounts is a registered trademark of B-Tech Av Mounts. All other trademarks are the property of their respective owners. B-Tech Av Mounts is not responsible for any damage caused by misuse or modification of the product. Any reproduction or transmission of any part of this specification is strictly prohibited unless prior written permission has been granted by B-Tech Av Mounts. SS-V1.1-BT8390-WFK1-120617