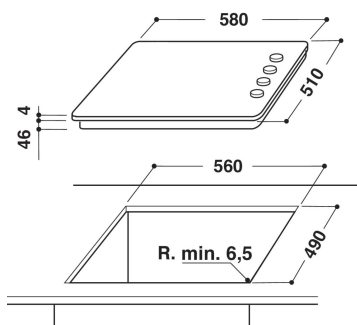
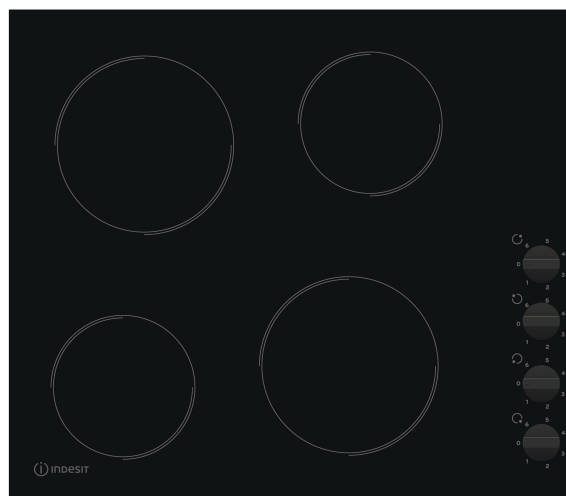


# RI 860 C

12NC: F104275

EAN code: 8050147042755



## MAIN FEATURES

Product group	Hob
Construction type	Built-in
Type of control	Mechanical
Type of control setting and signalling devices	-
Number of gas burners	0
Number of electric cooking zones	4
Number of electric plates	0
Number of radiant plates	4
Number of halogen plates	0
Number of induction plates	0
Number of electric warming zones	0
Location of control panel	Hob Lateral
Basic surface material	Ceramic Glass
Main colour of product	Black
Electrical connection rating (W)	5800
Gas connection rating (W)	0
Current (A)	25,8
Voltage (V)	220-230
Frequency (Hz)	50/60
Length of Electrical Supply Cord (cm)	120
Plug type	No
Gas connection	N/A
Width of the product	580
Height of the product	50
Depth of the product	510
Minimum niche height	40
Minimum niche width	560
Niche depth	490
Net weight (kg)	8
Automatic programmes	No

## TECHNICAL FEATURES

Power on indicator	Yes
Plate on indicator	1
Type of regulation	Radiant
Type of lid	Without
Residual heat indicator	Without
Main on/off switch	No
Safety device	-
Timer	No

## PERFORMANCES

Energy input	Electric
--------------	----------