

Order Code: 100014778

# PD02MVC-L

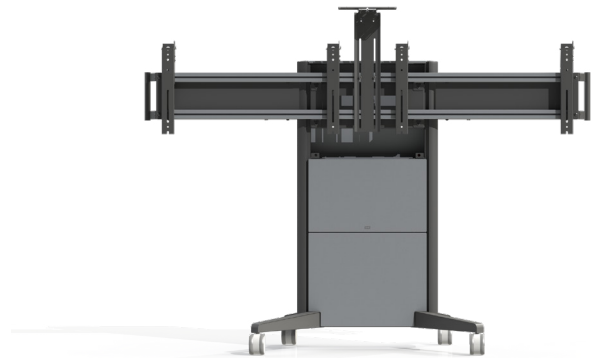
## High-end mobile Mount for Video Conferencing

### High-End Mobile Video Conference Mount for NEC Large Format Displays

This video conference trolley with space for double screens and a top-mounted video camera can accommodate screens of size up to 46"-65". Large wheels on a robust mounting facilitate movement between the conference room and of ces. Focussing on stability, mobility and exibility makes this product the ideal solution for any corporate application.



PD02MVC-L front view



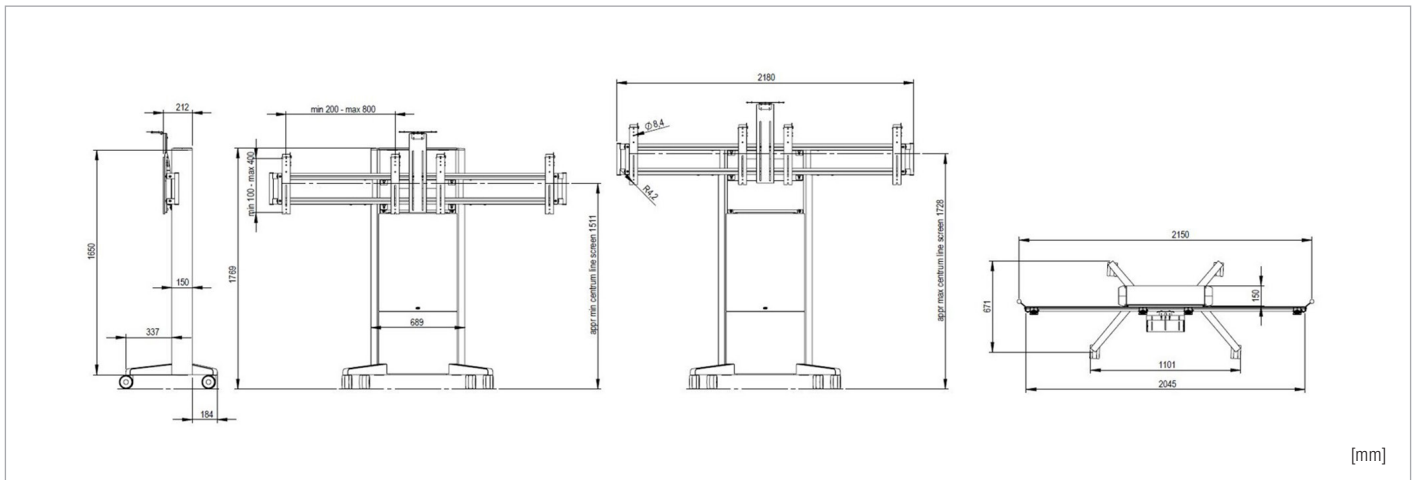
PD02MVC-L side view



### Delivering Genuine Benefits

- Especially designed for usage with touch displays
- Designed for double display installation
- Universal VESA mounting
- Professional cable management inside main body
- Storage space for equipment
- Lockable 100mm casters enable safe and easy maneuverability over various flooring surfaces
- Camera shelf is included with the trolley
- Highly preassembled to make installation quick and easy
- Converts from a trolley into a stand using the optional Cart Feet FT02

## Technical Drawings



[mm]

## Technical Specifications

Order Code	
<b>PD02MVC-L</b>	100014778
<b>FT02 (Cart Feet)</b>	100013614
<b>M01CS (Console shelf)</b>	100014776
Max. load capacity [kg]	55 per Display
Recommended display size	46" to 65"
Orientation	Landscape
VESA pattern [mm]	200x100 to 800x400
Storage space dimension [mm]	550 x 380 x 132
Product weight [kg]	82.5
Shipping weight [kg]	
<b>Box 1</b>	20.4
<b>Box 2</b>	44
<b>Box 3</b>	21.7
Package dimension [mm]	
<b>Box 1</b>	1160 x 750 x 120
<b>Box 2</b>	1730 x 790 x 190
<b>Box 3</b>	2070 x 280 x 80
Shipping Content	Main body of trolley, Foot incl. 100mm casters, VESA mounting rails, Camera shelf
Finish	Aluminum/anthracite grey
Supported NEC Large Format Displays	MultiSync® 46" to 65" E, V and P Series
Warranty	5 years (mechanical parts)
For additional pictures and Solutions overview, Visit <a href="http://www.nec-display-solutions.com">www.nec-display-solutions.com</a> for details.	

### NEC Display Solutions Europe GmbH

Landshuter Allee 12-14, D-80637 München

infomail@nec-displays.com

Phone: +49 (0) 89 99 699-0

Fax: +49 (0) 89 99 699-500

[www.nec-display-solutions.com](http://www.nec-display-solutions.com)