

VB-H45/B



Keep every angle covered

The VB-H45 Full HD PTZ IP security camera combines a powerful 400x zoom, low-light capability and fast auto-focus. Flexible installation options for indoor use.



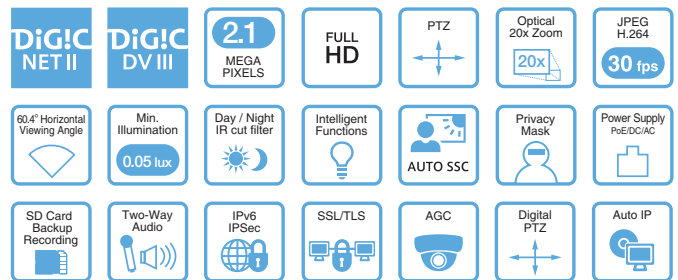
With DR41-C-VB Indoor Clear Dome Housing



VB-H45B



- Full HD PTZ IP security camera
- Powerful 20x optical zoom lens with 40x digital zoom and fast autofocus
- Superior image quality using Canon DIGIC DV III processor
- Canon DIGIC NET II supports dual H.264 video streams (up to 30 fps)
- Superior low-light performance: colour at 0.05 lux and mono at 0.003 lux
- Auto Smart Shade Control (Auto-SSC) improves foreground objects in bright backlit scenes
- Motion Adaptive Noise Reduction and Area-Specific Data Size Reduction (ADSR) help reduce data size while optimising image quality
- Built-in analytics functions for intelligent and efficient alarm detection
- Live monitoring and configuration on supported web browsers and mobile devices
- ONVIF® Profile S compliant
- Two colour options: Silver (VB-H45) and Black (VB-H45B)



Technical Specifications

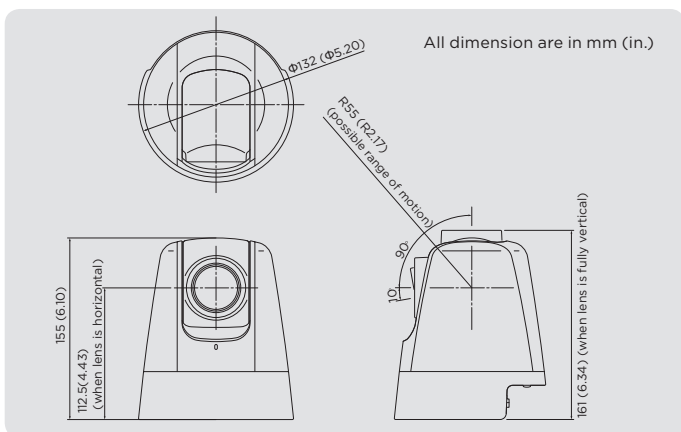
VB-H45/B

| | |
|--|--|
| CAMERA | |
| Image Sensor | 1/3 type CMOS (primary colour filter) |
| Number of Effective Pixels | Approx. 2.1 million pixels |
| Scanning Method | Progressive |
| Lens | 20x optical (20x digital zoom) zoom lens with auto focus |
| Focal Length | 4.7 (W) – 94 mm (T) (W): maximum wide angle, (T): maximum telephoto |
| F-number | F1.6 (W) – F3.5 (T) |
| Viewing Angle | For 16:9 aspect ratios: Horizontal: 60.4° (W) – 3.2° (T) Vertical: 35.1° (W) – 1.8° (T) For 4:3 aspect ratios: Horizontal: 46.3° (W) – 2.4° (T) Vertical: 35.1° (W) – 1.8° (T) |
| Day / Night Switch | Auto / Day Mode / Night Mode |
| Min. Subject Illumination | Day Mode (colour): 0.05 lux (F1.6, shutter speed 1/30 sec., when smart shade control is off, 50IRE) Night Mode (monochrome): 0.003 lux (F1.6, shutter speed 1/30 sec., when smart shade control is off, 50IRE) |
| Focus | Auto / One-shot AF / Manual / Fixed at infinity |
| Shooting Distance | Day Mode: 0.3 m (12 in.) – infinity (W), 1.0 m (3.3 ft.) – infinity (T) Night Mode: 1.0 m (3.3 ft.) – infinity (W), 1.5 m (4.9 ft.) – infinity (T) When [Enable] is selected for [Dome]: Day Mode: 2.0 m (6.6 ft.) – infinity (W, T) Night Mode: 1.0 m (3.3 ft.) – infinity (W), 2.2 m (7.2 ft.) – infinity (T) |
| Shutter Speed | 1, 1/2, 1/4, 1/8, 1/15, 1/30, 1/50, 1/60, 1/100, 1/120, 1/250, 1/500, 1/1000, 1/2000, 1/4000, 1/8000, 1/10000, 1/16000 sec. |
| Exposure | Auto/Auto (Flickerless)/Auto (Shutter-priority AE)/ Auto (Aperture-priority AE)/Manual (Shutter Speed, Aperture, Gain) |
| White Balance | Auto/Manual Daylight Fluorescent/White Fluorescent/Warm Fluorescent/ Mercury Lamp/Sodium Lamp/Halogen Lamp Manual: One-shot WB/R Gain/B Gain |
| Metering Modes | Center-Weighted / Average / Spot |
| Exposure Compensation | 9 levels |
| Smart Shade Control | Auto / Manual / Disable Auto: 3 levels Manual: 7 levels |
| Haze Compensation | Auto / Manual / Disable Auto: 3 levels Manual: 7 levels |
| AGC Limit | 6 levels |
| Image Stabilizer | 2 levels (digital) |
| Pan Angle Range | 340° (±170°) |
| Tilt Angle Range | 100° (ceiling-mounted position: -90° – +10°) – When the horizontal direction of the camera is 0° |
| Moving Speed | Pan: Max. 150°/sec., Tilt: Max. 150°/sec. |
| SERVER UNIT | |
| Video Compression Method | JPEG, H.264 |
| Video Size | JPEG, H.264: 1920 x 1080, 960 x 540, 480 x 270 1280 x 720, 640 x 360, 320 x 180 1280 x 960, 640 x 480, 320 x 240 |
| Video Quality | JPEG, H.264: 10 levels |
| Frame Rate | JPEG: 0.1 – 30 fps H.264: 1/2/3/5/6/10/15/30 fps – Values represent streaming performance from the camera. – The frame rate may be reduced due to Viewer PC's specs, the number of clients accessing at the same time, network loads, video quality setting, type or movement of the subject or other reasons. |
| Max. Frame Rate | When streaming JPEG, H.264 (1920 x 1080): 30 fps When used in the following combinations: When streaming H.264(1) (1920 x 1080) and H.264(2) (all sizes) simultaneously: 15 fps When streaming H.264(1) (all sizes) and H.264(2) (1920 x 1080) simultaneously: 15 fps When streaming H.264(1) (1280 x 960) and H.264(2) (1280 x 960) simultaneously: 15 fps When streaming H.264(1) (1280 x 720) and H.264(2) (1280 x 720) simultaneously: 15 fps |
| I-Frame Interval | 0.5/1/1.5/2/3/4/5 sec. |
| Simultaneous Client Access | Max. 30 Clients + 1 Admin Client – H.264: Max. 10 Clients |
| Bit Rate Control | Target Bit Rate: 64/128/256/384/512/768/1024/1536/2048/3072/4096/6144/8192/10240/12288/14336/16384 kbps |
| ADSR: Area-specific Data Size Reduction | Number of Specified Areas: Max. 8 areas Data Size Reduction Level: 3 levels |
| Encrypted Communications | SSL / TLS, IPsec (Auto Key Exchange/Manual) |
| IEEE 802.1X Protocol | EAP-MD5, EAP-TLS, EAP-TTLS, EAP-PEAP IPv4, IPv6, TCP/IP, UDP, HTTP, FTP, SNMPv1/v2c/v3 (MIB2), DHCP, DNS, AutoIP, mDNS, ARP, ICMP, POP3, NTP, SMTP, RTP/RTCP, RTSP, SSL/TLS, IPsec, ONVIF, WV-HTTP (Canon proprietary) |
| ONVIF Profile | Profile-S |
| Audio Compression Method | G.711 μ-law (64 kbps) |

| | |
|--|--|
| Audio Communication Method | Full-duplex (two-way)/half-duplex RTP, Sound Transfer Protocol by Canon |
| Audio File Playback | Available (audio files can be played back when an event is triggered by the intelligent function or external device input.) – A third-party amplifier speaker is necessary |
| Privacy Mask | Number of registration: Max. 8 places, Number of mask colours: 1 (select from 9 colours) |
| View Restriction | Available |
| Presets | Number of registers: Max. 64 positions (+Home Position) Number of Preset Tour Route: Max. 5 |
| Intelligent Function | Video: Moving Object Detection, Abandoned Object Detection, Removed Object Detection, Camera Tampering Detection, Passing Detection, Intrusion Detection Detection Settings: Max. 15 Non-detection Area Settings: Available Audio: Volume Detection, Scream Detection |
| Event Trigger Type | External Device Input, Intelligent Function (Video), Intelligent Function (Audio), Timer, Day/Night Mode Switching Number of Linked Events: 2 Linked Event Conditions: OR, AND (whether or not there is a sequence to events) |
| Image Upload | FTP / HTTP / SMTP (e-mail) |
| Event Notification | HTTP / SMTP (e-mail) |
| Enhanced Digital Zoom | Available |
| On-Screen Display | Available |
| Daylight Saving Time | Available |
| APPLICATION | |
| Viewer | Camera Viewer Mobile Camera Viewer |
| Included Software | Camera Management Tool RM-Lite Recorded Video Utility On-Screen Display Assist Tool |
| Language | German/English/Spanish/French/Italian/Polish/Russian/ Turkish/Thai/Korean/Chinese (Simplified)/Japanese |
| INTERFACE | |
| Network Terminal | LAN x1 (RJ45, 100Base-TX (auto / full-duplex / half-duplex)) |
| Audio Input Terminal (common for LINE IN & MIC IN) | Φ3.5 mm (Φ0.14 in.) mini-jack connector (monaural) LINE IN (connect to an amplifier microphone) or MIC IN (connect to a microphone w/o amplifier) – Switch LINE IN/MIC IN in the Setting Page. |
| Audio Output Terminal (LINE OUT) | Φ3.5 mm (Φ0.14 in.) mini-jack connector (monaural) LINE OUT x 1 (connect to an amplifier speaker) |
| External Device I/O Terminal | Input x 2, Output x 2 |
| Memory Card | SD Memory Card, SDHC Memory Card, SDXC Memory Card Compatible. Frame Rate: Max. 1 fps (JPEG) Max. 30 fps (H.264) |
| OTHER | |
| Operating Environment | Temperature: -10°C – +50°C (+14°F – +122°F) Humidity: 5% – 85% (without condensation) |
| Power Supply | PoE: PoE power supply via LAN connector (IEEE802.3at Typel compliant) AC Adapter: PA-V18 (100 – 240 V AC) (sold separately) External power source: 24 V AC/12 V DC |
| Power Consumption | When using PoE: Max. approx. 9.2 W* When using AC Adapter PA-V18: Max. approx. 9.9 W (100 V AC) Max. approx. 9.4 W (240 V AC) When using DC: Max. approx. 8.6 W When using AC: Max. approx. 8.8 W * Class 0 power sourcing equipment (requests 15.4 W) |
| Dimensions | (Φx H) Φ132 x 155 mm (Φ5.20 x 6.10 in.) – Camera only (height when camera is placed horizontally, excluding Ceiling Bracket) |
| Weight | Approx. 1140 g (2.52 lb.) |
| International Standard | EN55032 Class B, FCC part15 subpart B Class B, ICES-003 Class B, VCCI Class B, RCM AS/NZS EN55032 Class B, CNS13438 Class B, KN22 Class B, EN55024, KN24, EN50581 ----- IEC/UL/EN60950-1 |

All data is based on Canon standard testing methods except where indicated. Subject to change without notice.
™ and ®: All company and / or product names are trademarks and / or registered trademarks of their respective manufacturers in their markets and / or countries.

Dimensions



canon.com
Canon Europe
canon-europe.com
English edition
© Canon Europa N.V., 2017

Connectivity



- Network Interface** RJ45, 100Base-TX (Auto / Full-duplex / Half-duplex)
- Power Connection Terminal** 12V DC / 24V AC
- Audio Input** 3.5 mm mono mini-jack
- Audio Output** 3.5 mm mono mini-jack
- External Device I/O** 2 x Inputs / 2 x Outputs
- Memory Card Slot** SD, SDHC and SDXC Memory Card compatible



Keep every angle covered

VB-H45/B

The VB-H45 Full HD PTZ IP security camera combines a powerful 400x zoom, low-light capability and fast auto-focus. Flexible installation options for indoor use.



Sales Start Date: Q1, 2018

Product Details:

| Product Name | Mercury Code | EAN Code |
|------------------------|--------------|---------------|
| Network Camera VB-H45 | 2541C001AA | 4549292106886 |
| Network Camera VB-H45B | 2541C002AA | 4549292106916 |

Optional Accessories:

| Product Name | Mercury Code | EAN Code |
|---------------------------------|--------------|---------------|
| AC Adapter PA-V18 (E) | 8362B002AA | 4960999986791 |
| Indoor Dome Housing (DR41-C-VB) | 6816B001AA | 4960999914558 |
| Indoor Dome Housing (DR41-S-VB) | 6816B002AA | 4960999914565 |
| Ceiling Mount Cover (SS40-S-VB) | 4962B001AA | 4960999686721 |
| Ceiling Mount Cover (SS40-B-VB) | 4962B002AA | 4960999688794 |
| Pendant Mounting Kit (PC600-VB) | 9918B001AA | 4549292022551 |

Measurement / Logistic Information:

| Product Name | Mercury code | Pack type | Pack description | Quantity per pack | Length (mm) | Width (mm) | Height (mm) | Net Weight (Kg) | Gross Weight (Kg) |
|------------------------|--------------------------|-----------|------------------|-------------------|-------------|------------|-------------|-----------------|-------------------|
| Network Camera VB-H45 | 2541C001AA 2541C002AA | EA | Each | 1 | 229 | 187 | 210 | Approx. 1.1 | Approx. 1.6 |
| Network Camera VB-H45B | | CT | Carton | 4 | 438 | 392 | 264 | Approx. 4.6 | Approx. 7.4 |
| | | EP | Euro Pallet | — | — | — | — | — | — |

What's in the box?

- VB-H45 Main Unit
- Power Connector
- Installation Guide
- Warranty Card
- Before Using this Camera
- EAC-Supported Guide