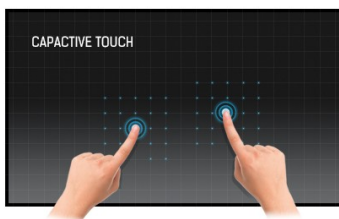




43" Open Frame 12pt PCAP interactive Large Format Display

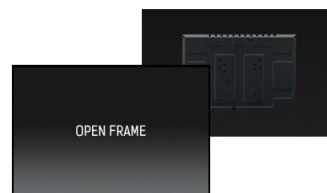
The Full HD (1920x1080) Open Frame TF4338MSC is the ideal interactive display solution for education, kiosks, interactive Digital Signage and in-store communications.

The Projective Capacitive (PCAP) touch technology with 12 touch points ensures a seamless and accurate touch response. Featuring a metal housing with 60950-1 ball-drop proof, scratch-resistant, edge-to-edge glass and an IPS panel; this display can be used in landscape, portrait and face-up orientation in the most demanding environments for maximum flexibility and accessibility. Either as a stand-alone wall mounted solution or built-in a desk or kiosk thanks to its Open Frame mounting holes.



TOUCH TECHNOLOGY - CAPACITIVE

This technology uses a sensor-grid of micro-fine wires integrated into the glass that covers the screen. Touch is detected because electrical characteristics of the sensor grid change when human finger is placed on the glass. Thanks to the glass overlay this technology is highly durable, and the touch function remains unaffected even if the glass is scratched. It offers perfect picture performance and will work with human finger (also latex gloved) and stylus-pen.



OPEN FRAME

Open frame monitors are an ideal solution for kiosk integrators and Instore Retail.

1. DISPLAY CHARACTERISTICS

DIAGONAL	42.5"; 107.9cm
ASPECT RATIO	16 : 9
PANEL	IPS LED, AG coated glass
NATIVE RESOLUTION	Full HD 1920x1080 @ 60Hz
BRIGHTNESS	450 cd/m ² typical
BRIGHTNESS	380 cd/m ² with touch panel
CONTRAST	1100 : 1 typical
RESPONSE TIME	12ms
VIEWING ZONE	horizontal/vertical: 178° / 178° ; right/left: 89° / 89° ; up/down: 89° / 89°
DISPLAY COLOUR	16.7 million
TOUCHTECHNOLOGY	projective capacitive, multi-touch (12 compatible touch points - HID, only with supported OS), activated by finger
TOUCH POINTS	12
GLASS THICKNESS	3 mm
GLASS HARDNESS	7H minimum
LIGHT TRANSMITTANCE	84%
DISPLAY AREA H X W	529.41 x 941.18 mm; 20.8" x 37.1"
PIXEL PITCH H X V	0.4902 x 0.4902 mm
HORIZONTAL SYNC	30 - 83kHz
VERTICAL SYNC	50 - 76Hz
MAX. NON-STOP OPERATING TIME	24 hours/day
ANTI-GLARE COATING	yes

2. INTERFACES & CONNECTORS

ANALOG INPUT CONNECTOR	VGA
DIGITAL INPUT CONNECTOR	DVI (1.0), 2x HDMI (1.4), DisplayPort (1.4)
HDCP	yes;
VIDEO IN	VGA, DVI, HDMI x2, DisplayPort
AUDION IN	MiniJack
AUDIO OUT	MiniJack, speakers
CONTROLS	RJ45 (LAN Control), RS232c (Get/Set), USB (touch), IR Extender
INPUTS	USB (for touch connectivity)

3. FEATURES

PLUG & PLAY	VESA DDC2B™
CONTROLS	On-Screen-Display in 8 languages (EN, FR, ES, DE, NL, PL, RUS, IT) and 7 back controls (Power, Left/Volume-, Right/Volume+, Scroll Up, Scroll Down, Menu, Enter/Input Select)

USER CONTROLS	picture (picture mode, backlight, contrast, brightness, chroma, phase, sharpness, color temperature, reset), sound (treble, bass, balance, volume, mute, speaker, audio source, reset), screen (aspect, adjust screen, touch feature), setting (language, schedule, power save, control settings, network settings, advanced), setting (advanced, information, all reset)
SPEAKERS	2 x 8 W (Stereo)
REGULATIONS	CE, CB, TÜV-Bauart, CU, cULus, 60950-1 ball drop test, IP54
EXTRA FUNCTIONS	Open Frame, NUC mounting holes (rear), RS232c Get/Set Command function
VESA MOUNTING	400 x 200 mm
COLOUR	Black
EXTERNAL CONTROLS	yes
ORIENTATION	landscape/portrait/face-up
METAL BEZEL	yes
BALL DROP TEST PROOF	yes
WATER AND DUST PROTECTION	IP54
PALM REJECTION	yes

4. ACCESSORIES

DRIVER	Window 7/8/8.1/10, Linux (3.8), Android, MAC OS
INCLUDED ACCESSORIES	power cable, HDMI signal cable, DisplayPort signal cable, USB cable, IR-Extender cable, cable management cover, remote control, quick start guide, safety guide
OPTIONAL ACCESSORIES	wall mount MD 052B1000 (landscape)

5. POWER MANAGEMENT

POWER SUPPLY	AC 100 - 240 V, 50 / 60 Hz
POWER SUPPLY UNIT	internal
POWER USAGE	75 W typical; max. 1.0 W in Power management mode
POWER MANAGEMENT	VESA DPMS

6. EU ENERGY EFFICIENCY LABEL

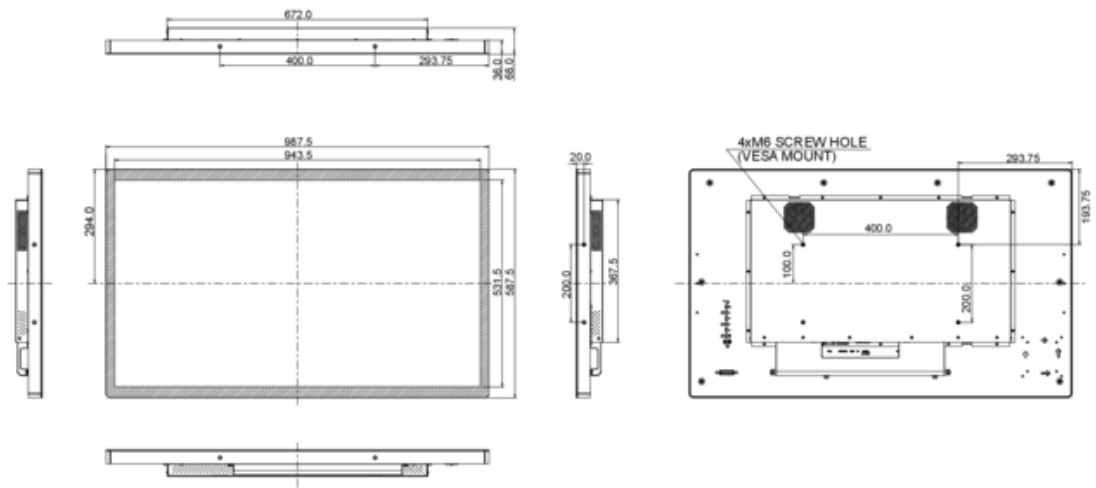
ENERGY EFFICIENCY CLASS	A
ON MODE POWER CONSUMPTION	75W
VISIBLE SCREEN DIAGONAL	108 cm; 43"; (43" segment)

This is information under Regulation (EU) No 1062/2010.

**Based on the power consumption of the television operating 4 hours per day for 365 days. The actual energy consumption will depend on how the television is used.*

7. DIMENSIONS & WEIGHT

DIMENSIONS W X H X D	987.5 x 587.7 x 68 mm
WEIGHT	21.6 kg



All trademarks and registered trademarks acknowledged. E & O E. Specification subject to change without notice. All LCD's comply with ISO-9241-307:2008 in connection with pixel defects.

© IIYAMA CORPORATION (). ALL RIGHTS RESERVED.