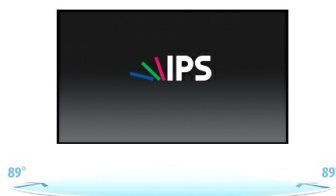




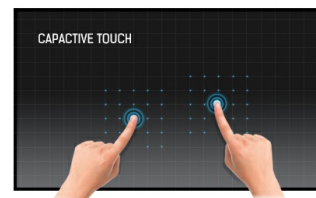
10pt touch Open Frame monitor with IPS panel

ProLite TF2234MC-B5X uses Projective Capacitive touch technology, built into an eye catching bezel with edge-to-edge glass. Featuring IPS LCD screen technology, it offers exceptional colour performance and wide viewing angles, making it a perfect interactive display for Interactive Digital Signage. In addition to the superb image quality, the screen comes with an IP65 Rating, making it dust and water resistant. Equipped with a rugged bezel making it suitable for demanding environments. The ProLite TF2234MC is the ideal screen for the kiosk integrators and a solution for Interactive Digital Signage, Instore Retail, Gaming and Interactive Presentations.



IPS

IPS technology offers higher contrast, darker blacks and much better viewing angles than standard TN technology. The screen will look good no matter what angle you look at it.



Touch technology - Capacitive

This technology uses a sensor-grid of micro-fine wires integrated into the glass that covers the screen. Touch is detected because electrical characteristics of the sensor grid change when human finger is placed on the glass. Thanks to the glass overlay this technology is highly durable, and the touch function remains unaffected even if the glass is scratched. It offers perfect picture performance and will work with human finger (also latex gloved) and stylus-pen.

01 DISPLAY CHARACTERISTICS

| | |
|-------------------------|---|
| Design | Open Frame |
| Diagonal | 21.5", 55cm |
| Panel | IPS LED |
| Native resolution | 1920 x 1080 |
| Aspect ratio | 16:9 |
| Brightness | 250 cd/m ² typical |
| Brightness | 225 cd/m ² with touch |
| Static contrast | 1000:1 with touch |
| Light transmittance | 90% |
| Response time | 8ms |
| Viewing zone | horizontal/vertical: 178°/178°, right/left: 89°/89°, up/down: 89°/89° |
| Colour support | 16.7mln (8bit) |
| Horizontal Sync | 30 - 84KHz |
| Vertical Sync | 56 - 76Hz |
| Viewable area W x H | 476.6 x 268.1mm, 18.8 x 10.6" |
| Pixel pitch | 0.247mm |
| Bezel colour and finish | black, matte |

02 TOUCH

| | |
|-----------------------------|---|
| Touch technology | projective capacitive |
| Touch points | 10 (HID, only with supported OS) |
| Touch method | stylus, finger, glove |
| Touch interface | USB |
| Supported operating systems | All iiyama monitors are Plug & Play and compatible with Windows and Linux. For details regarding the supported OS for the touch models, please refer to the driver instruction file available in the downloads section. |

03 INTERFACES / CONNECTORS / CONTROLS

| | |
|----------------------|---------------------------|
| Analog signal input | VGA x1 |
| Digital signal input | HDMI x1 DisplayPort x1 |
| HDCP | yes |

04 FEATURES

| | |
|-----------------|--------------|
| Glass thickness | 1.5mm |
| Impact testing | IP65 (front) |
| OSD key lock | yes |

05 GENERAL

| | |
|-----------------|---|
| OSD languages | EN, DE, FR, ES, IT, CN, JP |
| Control buttons | Menu, Scroll up/ Brightness, Scroll down/ Contrast, Select, Power |
| User controls | contrast, brightness, power, OSD, auto adjust, H.position, V.position, H.size, fine, OSD H.position, OSD V.position, OSD timeout, reset, input select, OSD language, colour temperature |
| Plug&Play | DDC2B |

06 MECHANICAL

Orientation landscape, portrait

VESA mounting 100 x 100mm

07 ACCESSORIES INCLUDED

Cables power, USB, HDMI, DP

Guides quick start guide, safety guide

Other AC adapter, Touch Panel Driver Disk (CD-ROM), L-Bracket

08 POWER MANAGEMENT

Power supply unit external

Power supply DC 12 V

Power usage 18W typical, 1W stand by

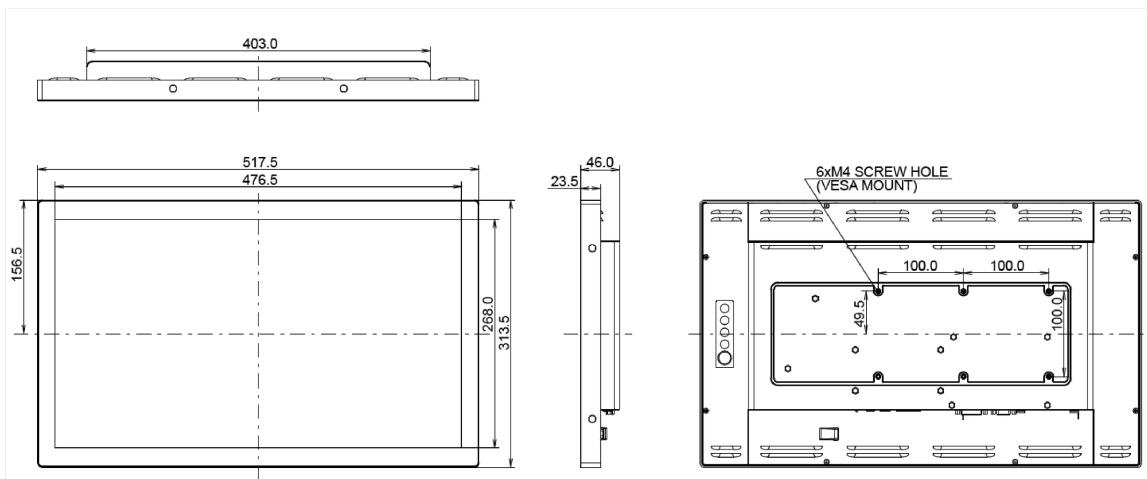
09 SUSTAINABILITY

Regulations CE, TÜV-Bauart, CU, cULus, VCCI

10 DIMENSIONS / WEIGHT

Product dimensions W x H x D 517.5 x 313.5 x 46mm

Weight (without box) 4.4kg



All trademarks and registered trademarks acknowledged. E & O E. Specification subject to change without notice. All LCD's comply with ISO-9241-307:2008 in connection with pixel defects.

© IYAMA CORPORATION. ALL RIGHTS RESERVED