

Clear Color Expression of UHD Content

UL3E

An Ultra HD large display, the UL3E series will improve business productivity in any location. All content is delivered in vivid colors and with fine details, giving audiences a clearer viewing experience. Moreover, equipped with wireless solutions and high compatibility features, the UL3E series makes operation promotions or meetings easier and more efficient.



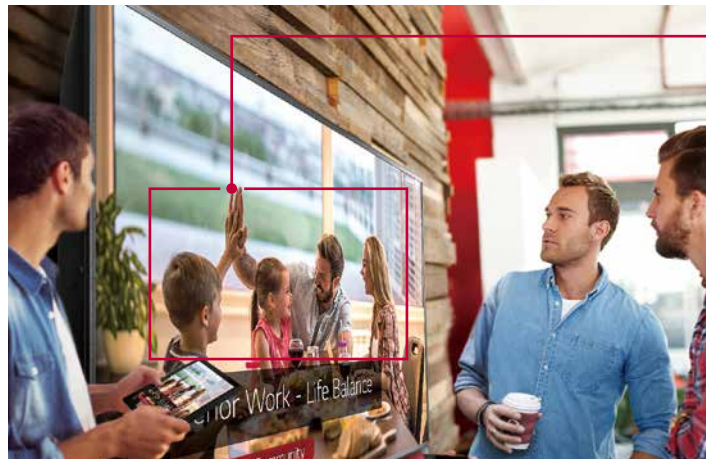
Clear Color Expression of UHD Content

UL3E

Superior Picture Quality

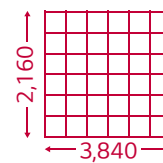
True Color, Wide View

LG IPS panel features a wide viewing angle to deliver clear content regardless of where meeting participants are seated. Each pixel in the IPS panel reproduces image colors true-to-life, without distortion.



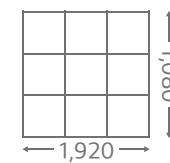
Vivid Color Details with Ultra HD

The UHD resolution allows users to view details even when zooming in on the display, with four times higher definition than FHD. The UL3E ensures stable UHD video playback with HEVC (High Efficiency Video Coding).



ULTRA HD

FULL HD



Clear Color Expression of UHD Content

UL3E

Wireless Solution

Content Sharing

Content Mirroring among devices is more convenient on a Wi-Fi network.



Real-time Promotion

With Beacon and BLE (Bluetooth Low Energy), shop managers can provide coupons and information in real-time.

Wireless Access Point

The UL3E series operates as a virtual router which can be an wireless access point for mobile devices.



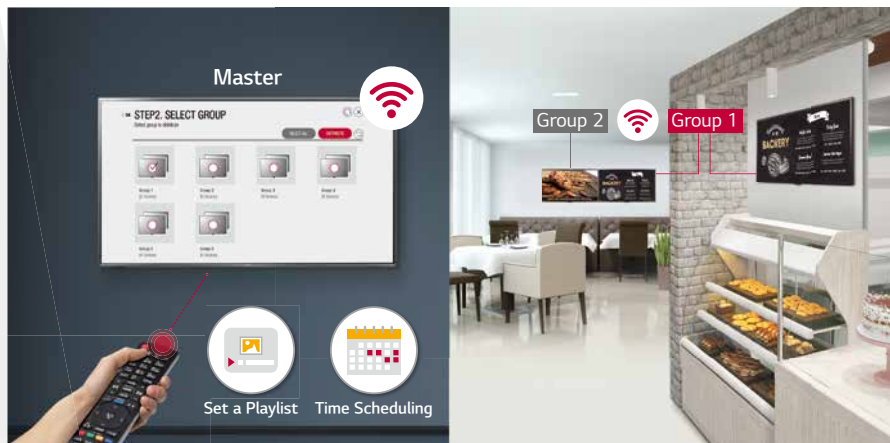
Clear Color Expression of UHD Content

UL3E

PC-less Content Management

Embedded Content Management

The embedded CMS (Content Management System) allows you to edit and play content, schedule a playlist and even group and control signages via remote control, mouse or even mobile phone, without needing a separate PC or software. This makes content management much easier and user-friendly.



* The scenes are simulated for illustrative purposes. Actual GUI may differ from the accompanying image.
** All displays must be connected to the same network.

USB Data Cloning

USB data cloning makes managing multiple displays more efficient for optimal operation, since users don't have to set up each display one by one. Once users copy data to a USB in one display, it will be easily distributed to others through a USB plug-in.



Clear Color Expression of UHD Content

UL3E

Easy Maintenance

Compatibility with AV Control System

The UL3E series has been certified Crestron Connected® for a higher level of compatibility with professional AV controls to achieve seamless integration and automated control¹, boosting business management efficiency.



1) Network based control

Real-Time Remote Monitoring

In case of malfunctions or errors, real-time remote care is available. When an error occurs, a notification can be sent through the SNMP (Simple Network Management Protocol) protocol.

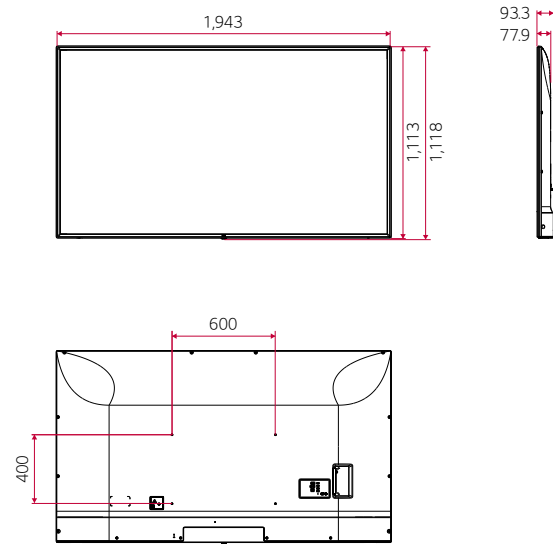


Power & Network in One Line

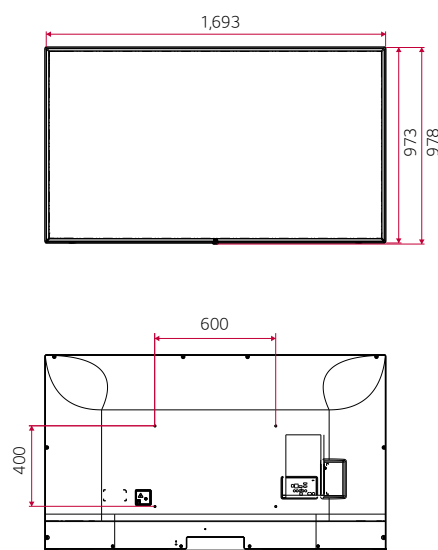
WOL (Wake-on-LAN) enables users to send a message through network to turn on displays. This greatly simplifies the installation and maintenance processes as only a single wire is required for power and network connection.

Dimension (Unit: mm)

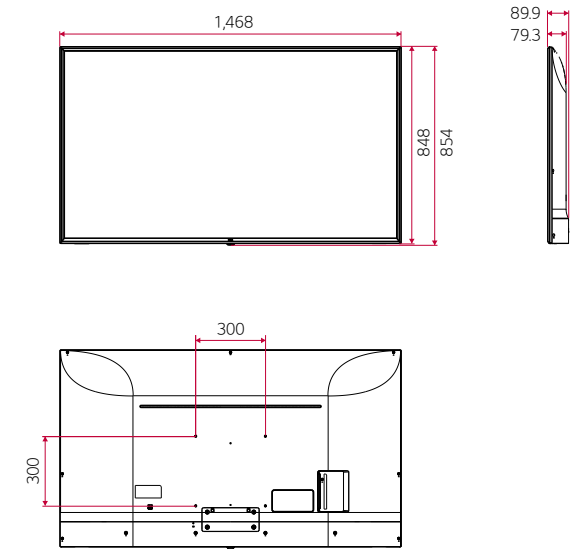
86"



75"

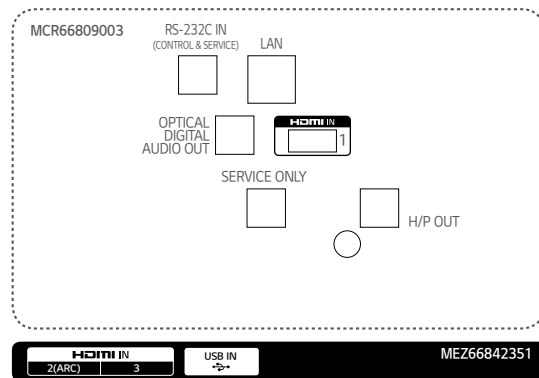


65"

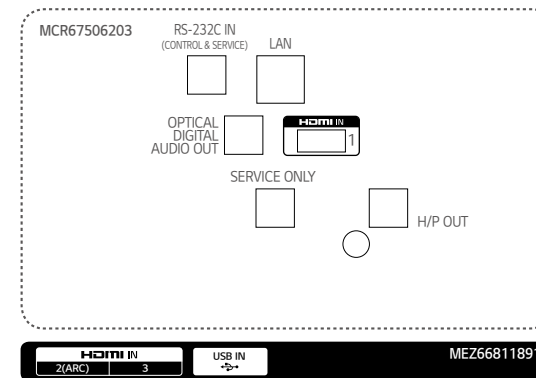


Connectivity

86" / 75"



65"



* Dimensions & Jack Panels (Read/Side) may differ from the above image, so please reach LG salesteam to ensure before order.

Specifications

		86UL3E	75UL3E	65UL3E
PANEL	Screen Size	86"	75"	65"
	Panel Technology	IPS	IPS	IPS
	Aspect Ratio	16 : 9	16 : 9	16 : 9
	Native Resolution	3,840 x 2,160 (UHD)	3,840 x 2,160 (UHD)	3,840 x 2,160 (UHD)
	Brightness	350 cd/m ²	350 cd/m ²	350 cd/m ²
	Contrast Ratio (Typ.)	1,400:1	1,400:1	1,400:1
	Viewing Angle (H x V)	178 x 178	178 x 178	178 x 178
	Response Time (Typ.)	5 ms (G to G)	8 ms (G to G)	9 ms (G to G)
	Surface Treatment (Typ.)	AGLR (Haze 3%)	AGLR (Haze 3%)	AGLR (Haze 3%)
	Life Time (Min.)	30,000 Hrs	30,000 Hrs	30,000 Hrs
	Operation Hours	16 Hrs	16 Hrs	16 Hrs
	Refresh Rate	120 Hz	60 Hz	60 Hz
	Orientation	Landscape	Landscape	Landscape
CONNECTIVITY	Input	HDMI (3), USB 2.0		
	Output	Audio (Digital Audio Out, Optical)		
	External Control	RS232C In, RJ45 In		
PHYSICAL SPECIFICATION	Bezel Color	Meteoritan	Meteoritan	Cramic Black
	Bezel Width (Off-Bezel)	21.9 mm (Even)	20.2 mm (T/L/R), 21.5 mm (B)	17.9 mm (T/L/R), 22.3 mm (B)
	Monitor Dimension (W x H x D)	1,943 x 1,118 x 93.3 mm	1,693 x 978 x 88.8 mm	1,468 x 854 x 89.9 mm
	Weight (Head)	44.2 kg	34.6 kg	21.0 kg
	Carton Dimensions (W x H x D)	2,116 x 1,261 x 285 mm	1,839 x 1,116 x 231 mm	1,600 x 970 x 190 mm
	Packed Weight	59.0 kg	45.7 kg	28.6 kg
	VESA™ Standard Mount Interface	600 x 400 mm	600 x 400 mm	300 x 300 mm
SPECIAL FEATURES	Wi-Fi Built-in, Local Key Operation, Auto Brightness Sensor, Local Contents Scheduling, Group Manager, Screen Share, Web Browser, Lock Mode, Setting Data Cloning (USB), SNMP (Ver. 1.4) Crestron Connected ^{®1} , DPM, Power on Status, Wake on LAN, Beacon, HDMI-CEC ² , Built-in Speaker (10W+10W)			
ENVIRONMENT CONDITIONS	Operation Temperature	0°C to 40°C	0°C to 40°C	0°C to 40°C
	Operation Humidity	10% to 80%	10% to 80%	10% to 80%
POWER	Power Supply	100-240V~, 50/60Hz	100-240V~, 50/60Hz	100-240V~, 50/60Hz
	Power Type	Built-In Power	Built-In Power	Built-In Power
	Power Typ. / Max.	309 W	220 W	174 W
	Consumption Smart Energy Saving	333.5 W	243 W	194 W
CERTIFICATION	Safety	CB	CB	CB
	EMC	CE	CE	CE
	ErP	Yes (Class A)	Yes (Class A)	Yes (Class A)
MEDIA PLAYER COMPATIBILITY	OPS Type Compatible	No	No	No
	External Media Player Attachable	No	No	No
SOFTWARE COMPATIBILITY	Content Management Software	SuperSign CMS	SuperSign CMS	SuperSign CMS
	Control and Monitoring Software ³	SuperSign Control+	SuperSign Control+	SuperSign Control+
ACCESSORIES	Basic	Remote Controller (2ea Batteries Included), Regulation Book, Phone to RS232C Gender	Remote Controller (2ea Batteries Included), Regulation Book, Phone to RS232C Gender	Remote Controller (2ea Batteries Included), Regulation Book, Phone to RS232C Gender

1) Network Based Control 2) Compatibility may differ by equipment 3) Software compatibility may change over time. Please contact LG sales representative for details.



Download
LG C-Display+
Mobile App

Google Play Store

- www.lg.com/b2b
- www.youtube.com/c/LGCommercialDisplay
- www.facebook.com/LGInformationDisplay
- www.linkedin.com/company/LGInformationDisplay

LG may make changes to specifications and product descriptions without notice.
Copyright © 2018 LG Electronics Inc. All rights reserved. "LG Life's Good" is a registered trademark of LG Corp.
The names of products and brands mentioned here may be the trademarks of their respective owners.

