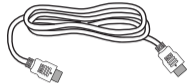
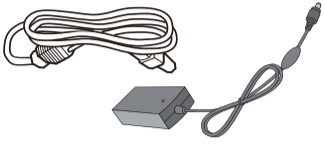


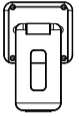
Quick start guide



HDMI Cable



USB Cable



Stand



Screws for Stand (4PCS)



Wire Clamer (2PCS)



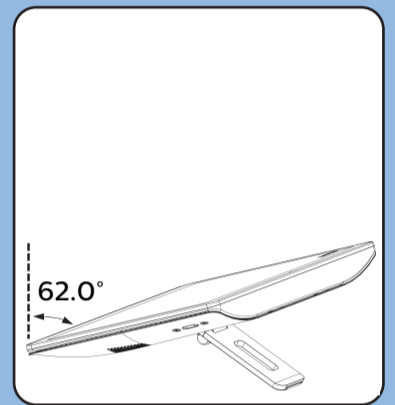
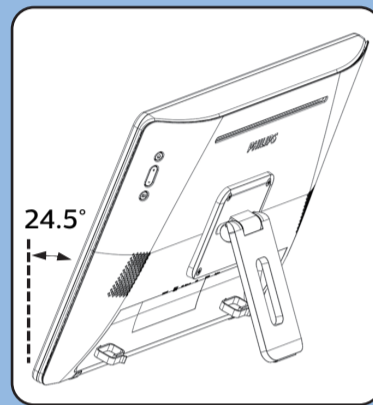
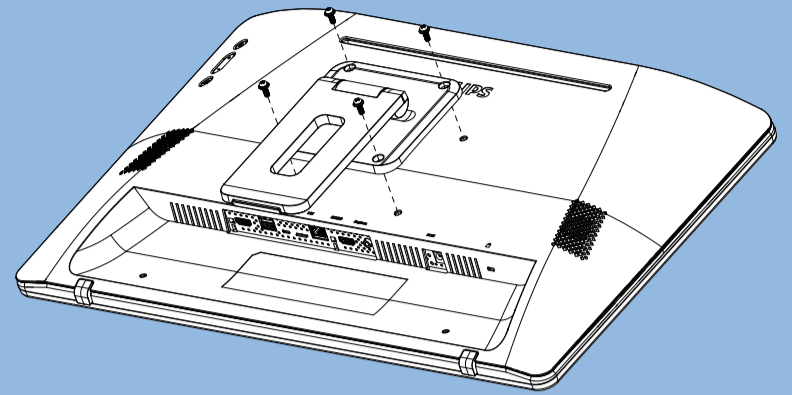
Screws for 4G Board (2PCS)

* Differences according to regions.

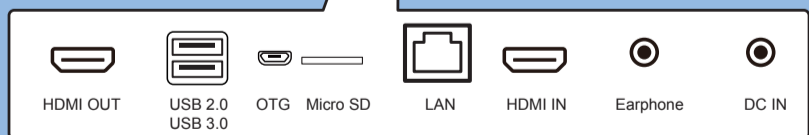
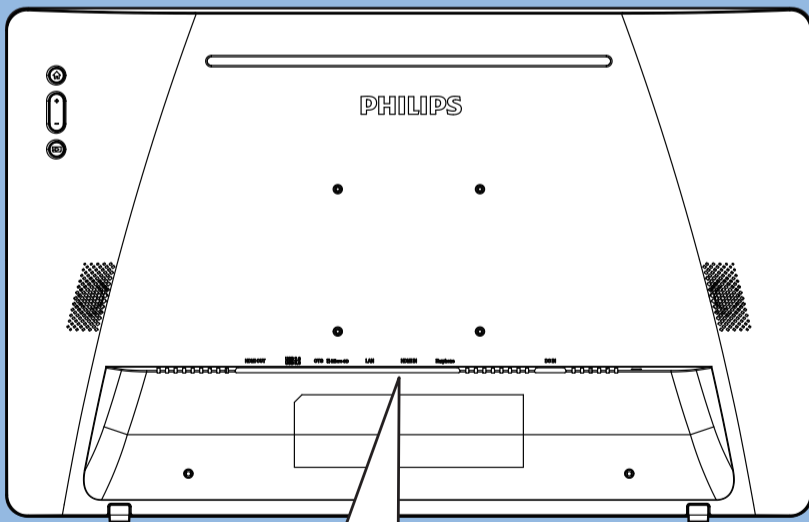
Display design and accessories may differ from those illustrated above.



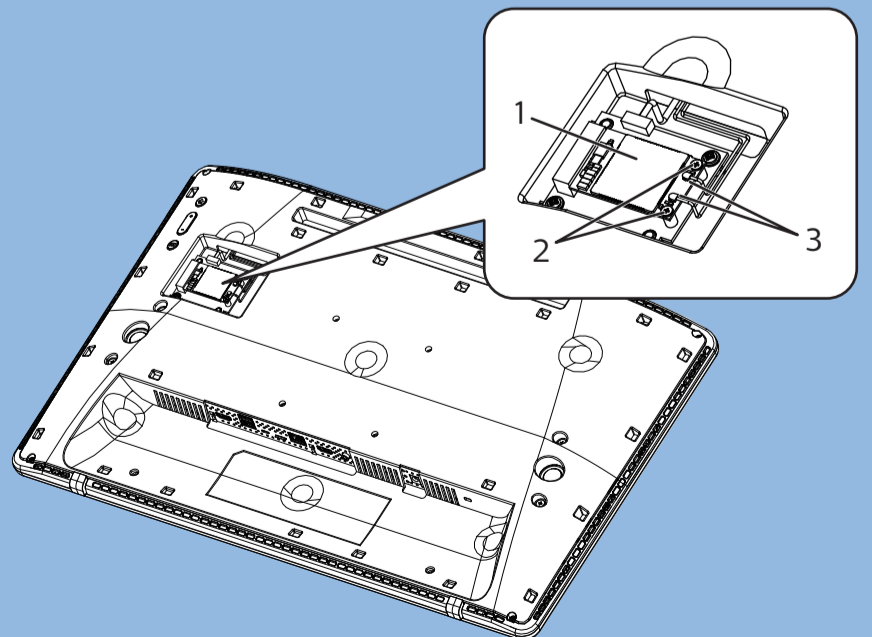
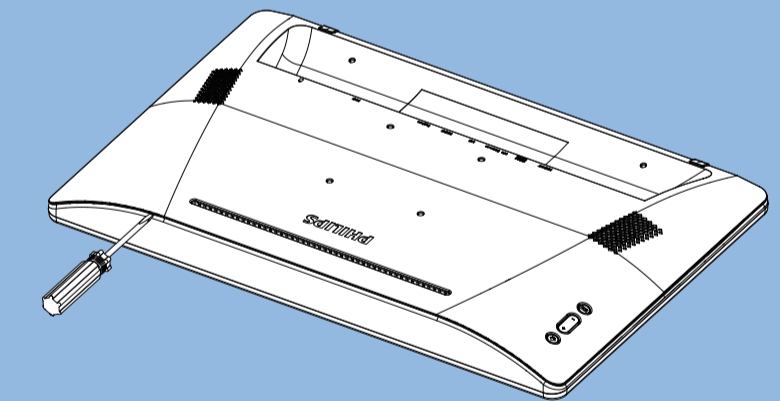
1



2

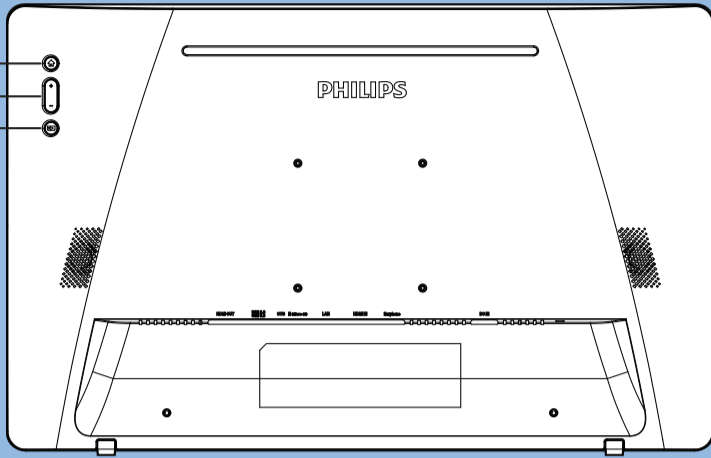


3



4

MENU
Volume +/-
Input



PHILIPS

T line

24BDL4151T

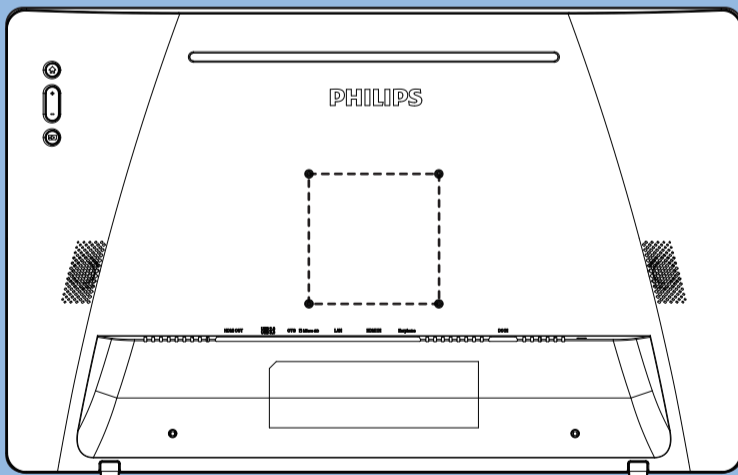


Quick Start



Please check out the website below for more product information.
www.philips.com/signagesolutions-support

5



M4 * (14+X) mm
(X=Thickness of Wall mount BKT)
24BDL4151T: 100mm x 100mm



Envision Peripherals Inc.
47409 Seabridge Drive
Fremont, CA 94538
Tel. 510-770-9988

© 2018 Koninklijke Philips N.V. All rights reserved.
Philips and the Philips Shield Emblem are registered
trademarks of Koninklijke Philips N.V. and are used under
license from Koninklijke Philips N.V.

Specifications are subject to change without notice.
Version: V1.00 2018-09-10



Q41G24M181345A