



**THE BEST SUPPORT  
FOR YOUR AV & IT HARDWARE**  
T: + 31(0)23-5478888 | E: info@newstar.eu | W: www.newstar.eu

## NM-D775DXBLACK

## NEWSTAR FLAT SCREEN DESK MOUNT

NewStar NM-D775DXBLACK Full Motion Dual Desk Mount (clamp & grommet) with crossbar and handle for two 10-32" Monitor Screens, Height Adjustable (gas spring) - Black



### SPECIFICATIONS

<b>Cable management</b>	Yes
<b>Color</b>	Black
<b>Depth</b>	0-63 cm
<b>Desk mount</b>	Grommet Clamp
<b>Height</b>	27-60 cm
<b>Height adjustment</b>	Gaspring
<b>Max. screen size</b>	32
<b>Max. weight</b>	8
<b>Min. screen size</b>	10
<b>Min. weight</b>	1
<b>Rotate (degrees)</b>	360°
<b>Screens</b>	2
<b>Swivel (degrees)</b>	180°
<b>Tilt (degrees)</b>	20°
<b>Type</b>	Tilt Rotate Turn Full motion
<b>VESA maximum</b>	100x100 mm
<b>VESA minimum</b>	75x75 mm
<b>Warranty</b>	5 year
<b>EAN code</b>	8717371446857

The NewStar NM-D775DXBLACK is a tilt-, swivel and rotatable desk mount with crossbar and handle for 2 flat screens up to 32". This mount is a great choice for space saving placement on desks using a desk clamp or grommet mount.

NewStar's unique tilt (20°), rotate (360°) and swivel (180°) technology allows the mount to change to any viewing angle to fully benefit from the capabilities of the flat screen. The mount is easily individually height adjustable to 60 centimetres using a gas spring. Depth adjustable from 0 to 63 centimetres. A unique cable management conceals and routes cables from mount to flat screen. Hide your cables to keep the workplace nice and tidy. The mount is equipped with a 180° stop mechanism.

NewStar NM-D775DXBLACK with handle has three pivot points and is suitable for screens up to 32" (81 cm). The weight capacity of this product is 2 to 16 kg (max. 8 kg each screen). The desk mount is suitable for screens that meet VESA hole pattern 75x75 or 100x100mm. Different hole patterns can be covered using NewStar VESA adapter plates.

By using an ergonomic mount neck- and back complaints can be avoided. Ideal for use in offices and on counters or in a reception area.

All installation material is included with the product.

NewStar Products Europe B.V.  
Wateringweg 62/B  
2031 EJ HAARLEM  
THE NETHERLANDS

**Phone** : +31(0)23-5478888  
**Fax** : +31(0)23-5478889  
**Email** : info@newstar.nl  
**Website** : www.newstar.eu

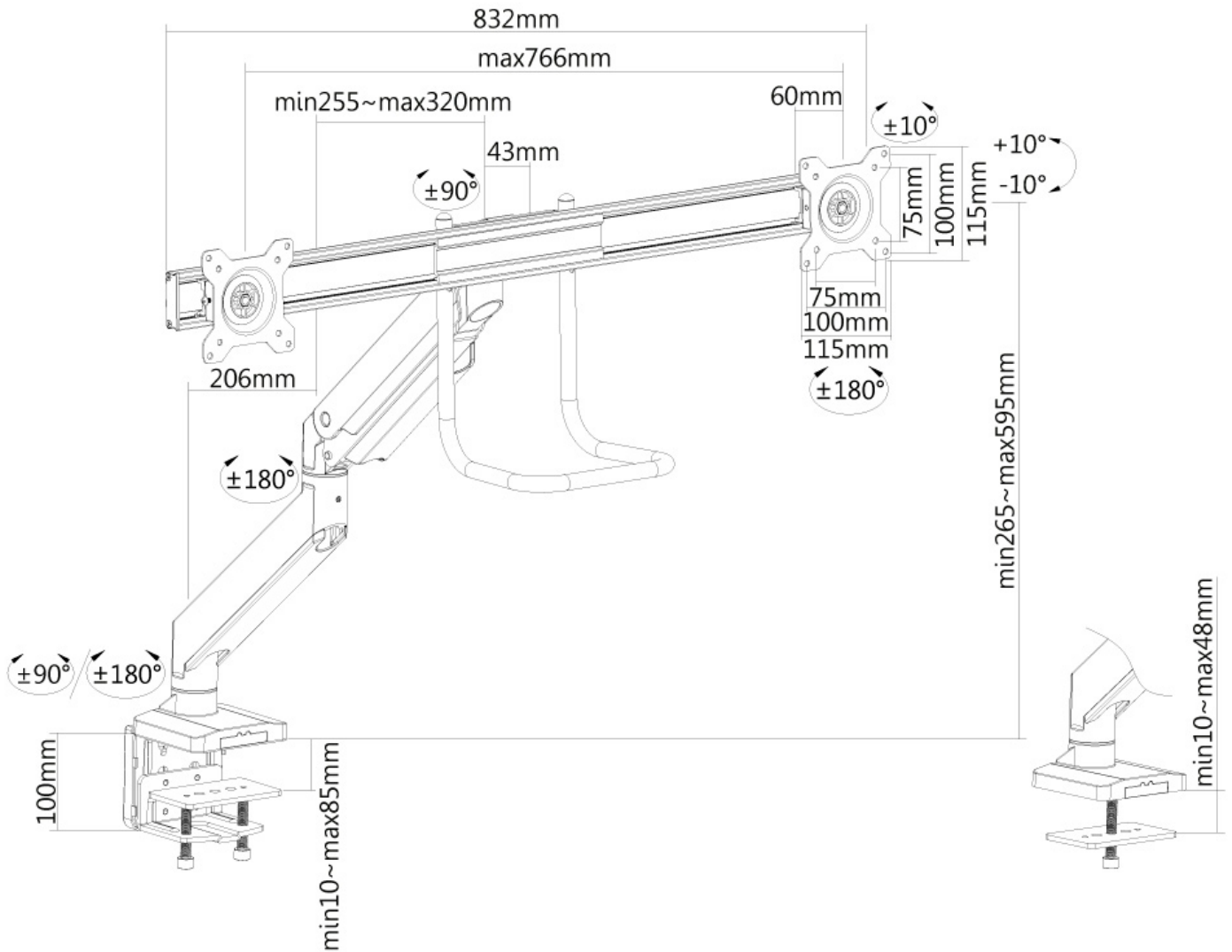
NewStar cannot be held liable for any inaccuracies and copyrights.  
No part of this publication may be reproduced and/or published by print, photocopy, microfilm or in any other way, without prior written permission of  
NewStar Computer Products Europe BV.



**THE BEST SUPPORT  
FOR YOUR AV & IT HARDWARE**  
T: + 31(0)23-5478888 | E: info@newstar.eu | W: www.newstar.eu

# NM-D775DXBLACK

# NEWSTAR FLAT SCREEN DESK MOUNT



NewStar Products Europe B.V.  
Wateringweg 62/B  
2031 EJ HAARLEM  
THE NETHERLANDS

Phone : +31(0)23-5478888  
Fax : +31(0)23-5478889  
Email : info@newstar.nl  
Website : www.newstar.eu

NewStar cannot be held liable for any inaccuracies and copyrights.  
No part of this publication may be reproduced and/or published by print, photocopy, microfilm or in any other way, without prior written permission of NewStar Computer Products Europe BV.