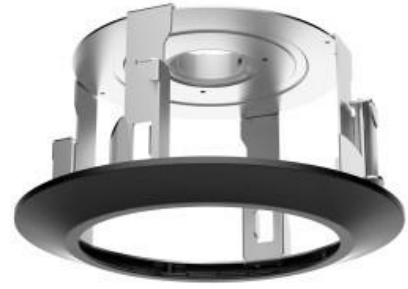


DS-1671ZJ-SDM9

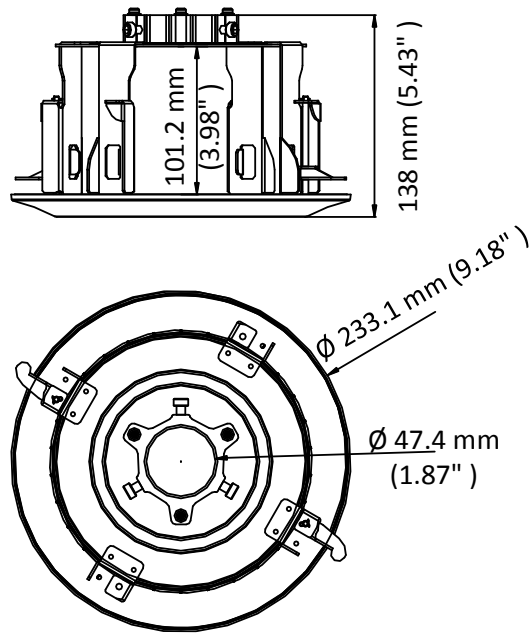
In-ceiling Mount



Features

- Steel and plastic with surface spray treatment
- Applies to indoor conditions

Dimension



Available Model

DS-1671ZJ-SDM9

Parameter

Model	DS-1671ZJ-SDM9
Parameters	In-ceiling Mount
Appearance	Black
Material	Steel and Plastic
Dimension	Ø 233.1 mm × 138 mm (Ø 9.18" × 5.43")
Weight	850 g (1.87 lb.)

Notes

- The mount should be installed on the flat surface.
- Waterproof rubber is necessary for the outdoor application.
- The wall must be capable of supporting at least 3 times as much as the total weight of the camera, and the mount.
- The maximum load capacity of the mount is 10 kg (22 lb.).