

SmartFit® One-Touch Height Adjustable Monitor Arms

Part number: K55470EU (Single); K55471EU (Dual)
EAN Codes: 5028252597128 (Single); 5028252597135 (Dual)



Improve posture, promote proper eye alignment and support neck and shoulder comfort with Kensington's SmartFit® One-Touch Height Adjustable Monitor Arms. Ergonomically designed to promote wellness and increase productivity, the SmartFit® One-Touch Height Adjustable Monitor Arms incorporate Kensington's patented SmartFit® technology to simplify proper fit and allow users to adjust the height, depth and angle of their monitors for individualised comfort. Stable at any monitor position, users can easily switch from landscape to portrait mode, or from stacked to side-by-side configurations (K55471EU only). An ideal monitor arm for the modern office and a perfect complement to the SmartFit® Sit/Stand Desk (K52804EU).

FEATURES AND BENEFITS

- **SmartFit® system** simplifies ideal ergonomic height positioning using scientifically proven research to support proper fit
- **One-touch adjustable arms with built-in gas spring** simplifies height adjustment (170-505mm), provides 180° swivel and monitor rotation, +/- 90° tilt adjustment, and allows monitors to smoothly move up, down, forward and back for full motion articulation
- **Stability focused design** supports 13"-32" flat or curved monitors weighing up to 9kg (19.8lbs) and ensures monitors are stable and steady in any position
- **Easy to install** with included quick release detachable VESA® plate (75mm or 100mm), c-clamp (desktop thickness range: 10-85mm) and grommet (diameter range: 10.5-50mm) installation options and included tool kit to simplify removal
- **Cable management system** keeps monitor cables organised for a tidier workspace
- **Kensington durability** meets ANSI/BIFMA performance and safety standards

TECHNICAL SPECIFICATIONS

MATERIAL SPECIFICATIONS

- **Colour:** Silver grey
- **Material:** Aluminium, plastic, steel

COUNTRY OF ORIGIN, REGULATORY, AND WARRANTY

- **Country of origin:** China
- **Warranty:** 2-year limited warranty
- **Certifications and compliance:** RoHS, Prop 65, BIFMA

PACKAGING DIMENSIONS

- **Package style:** Brown box (with black/white label)

Part No.	EAN	Product name	Quantity	Depth	Width	Height	Weight
K55470EU	5028252597128	SmartFit® One-Touch Height Adjustable Single Monitor Arm					
Brown box			1	12.4"	19.13"	4.5"	9.3lbs
				31.5cm	48.59cm	11.43cm	4.22kg
Master carton			4	20.25"	13.13"	18.88"	39.2lbs
				51.44cm	33.35cm	47.96cm	17.78kg
K55471EU	5028252597135	SmartFit® One-Touch Height Adjustable Dual Monitor Arm					
Brown box			1	5.2"	22.5"	18.3"	17.2lbs
				13.21cm	57.15cm	46.48cm	7.8kg
Master carton			2	23.1"	19"	10"	36.6lbs
				58.67cm	48.26cm	25.4cm	16.6kg

All specifications are subject to change without notice. Please check with your supplier for exact offers.
 Products may not be available in all markets. Brand and product names mentioned are trademarks of their respective companies.

PRODUCT DIMENSIONS

Product name	SmartFit One-Touch Height Adjustable Single Monitor Arm	SmartFit One-Touch Height Adjustable Dual Monitor Arm
Part No.	K55470EU	K55471EU
EAN	85896555470	85896555471
Product dimensions (DxWxH)	115mmx590mmx665mm (4.5"x23.2"x26.2")	1100mmx125mmx670mm (43.3"x4.9"x26.4")
Product weight	3.34kg (7.4lbs)	6.03kg (13.3lbs)
Maximum arm height (Desktop to VESA® Plate Centre)	505mm (19.9")	505mm (19.9")
Minimum arm height (Desktop to VESA® Plate Centre)	170mm (6.7")	170mm (6.7")
Maximum arm reach	525mm (20.7")	525mm (20.7")
Minimum arm reach	465mm (18.3")	465mm (18.3")
Screen size support	13"-32"	13"-32"
Desk thickness	C-clamp 10-85mm (0.39"-3.3") Grommet 10-80mm (0.39"-3.1")	C-clamp 10-85mm (0.39"-3.3") Grommet 10-80mm (0.39"-3.1")
Weight capacity	up to 9kg (19.8lbs)	up to 9kg (19.8lbs) per arm
Installation	C-clamp (desktop thickness: 10mm-85mm or 0.39"-3.3") Grommet (diameter range: 10.5mm-50mm or 0.41"-1.97")	C-clamp (desktop thickness: 10mm-85mm or 0.39"-3.3") Grommet (diameter range: 10.5mm-50mm or 0.41"-1.97")
VESA® mount tilt adjustment	+90° ~ -90°	+90° ~ -90°
VESA® mount pan adjustment	+90° ~ -90°	+90° ~ -90°
VESA® mount rotation adjustment	+90° ~ -90°	+90° ~ -90°
Arm swivel adjustment (lower joint)	+135° ~ -135°	+135° ~ -135°
Arm swivel adjustment (higher joint)	+180° ~ -180°	+180° ~ -180°

All specifications are subject to change without notice. Please check with your supplier for exact offers.
Products may not be available in all markets. Brand and product names mentioned are trademarks of their respective companies.

FRONT

Maximum reach: 525mm (20.7")

Minimum reach: 465mm (18.3")

C-clamp desktop thickness:

10mm-85mm (0.39"-3.3")

Grommet diameter range:

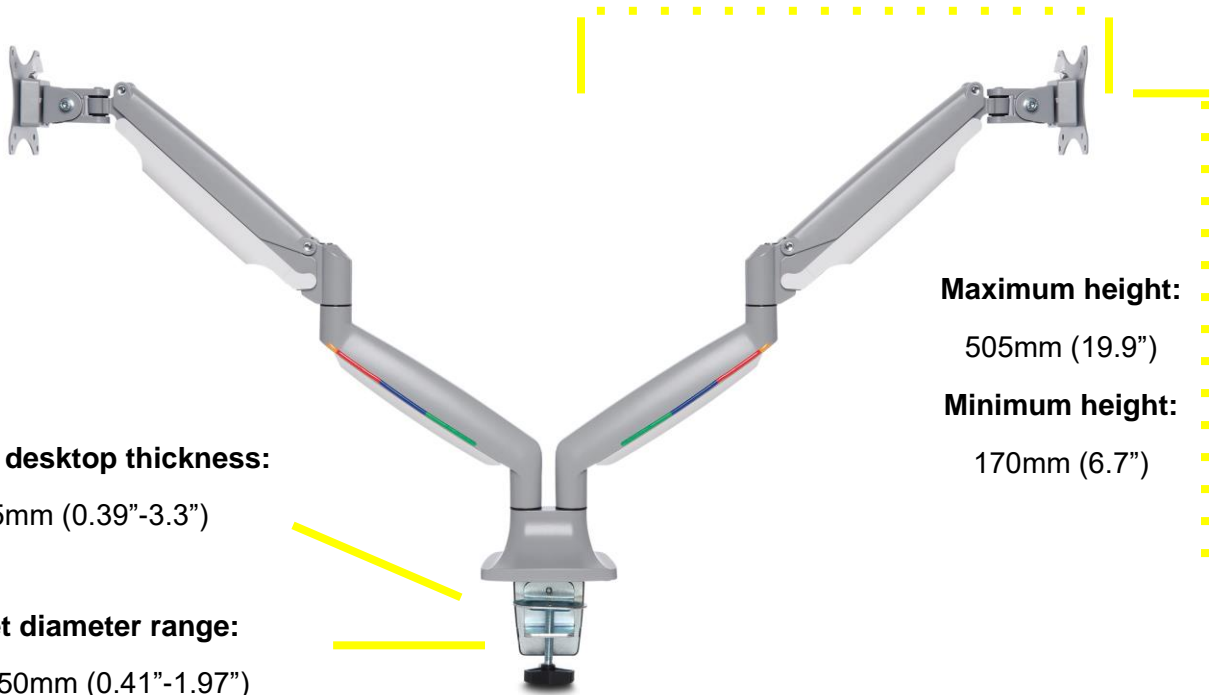
10.5mm-50mm (0.41"-1.97")

Maximum height:

505mm (19.9")

Minimum height:

170mm (6.7")



BACK



C-Clamp installation



Grommet installation

Cable management system