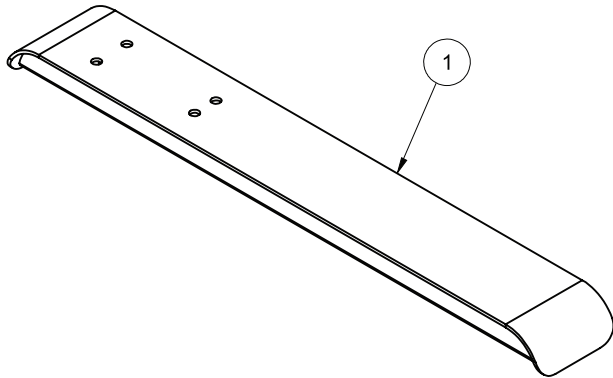


This pack contains 1 Base

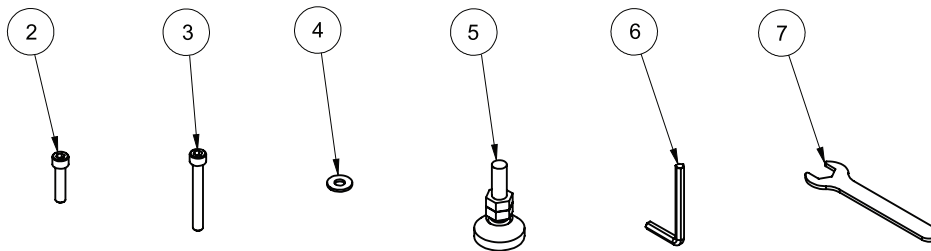
PLEASE KEEP THIS FOR FUTURE REFERENCE



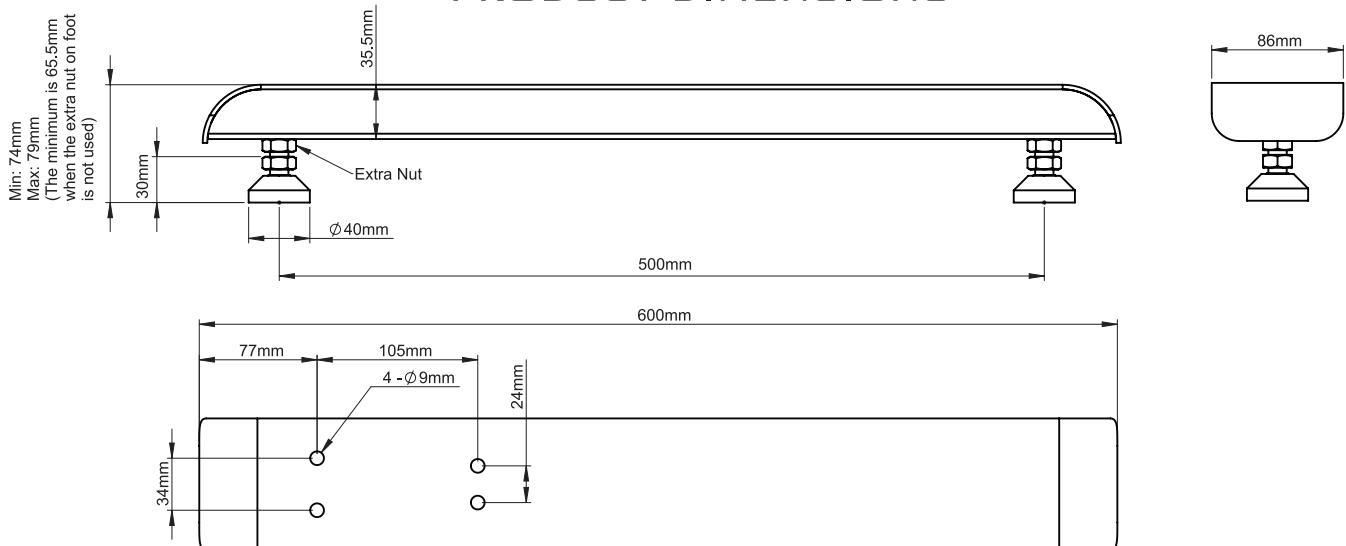
PARTS LIST

REF	PART NAME	QTY
1	BASE	1
2	M8 x 35mm SCREW	2
3	M8 x 65mm SCREW	2
4	WASHER	2
5	ARTICULATING FOOT	2
6	6AF ALLEN KEY	1
7	19mm SPANNER	1

Designed to work in conjunction with
a B-Tech BT8380 column



PRODUCT DIMENSIONS



THESE DIMENSIONS ARE INTENDED AS A GUIDE ONLY AND B-TECH ACCEPTS NO LIABILITY FOR THE ACCURACY OF THE INFORMATION

B-TECH AV MOUNTS

HEAD OFFICE

B-Tech International Limited

Bennett House, Long March, Daventry, Northants., NN11 4NR, UK

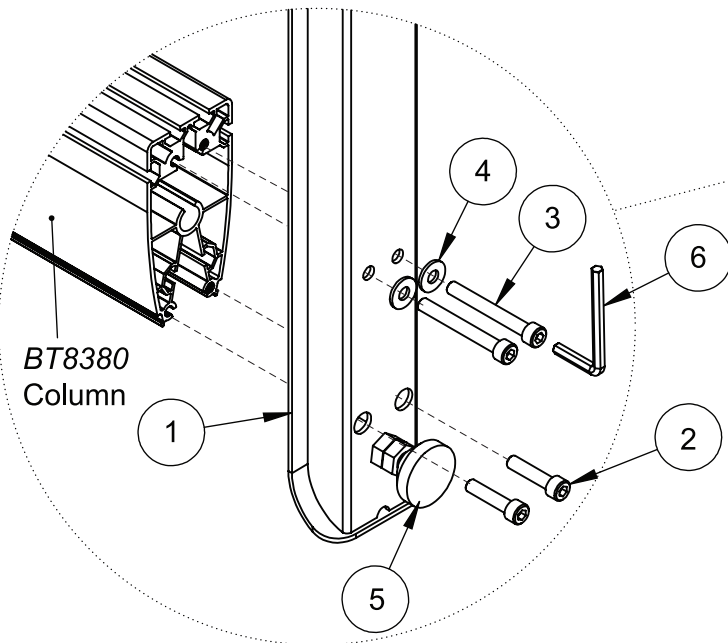
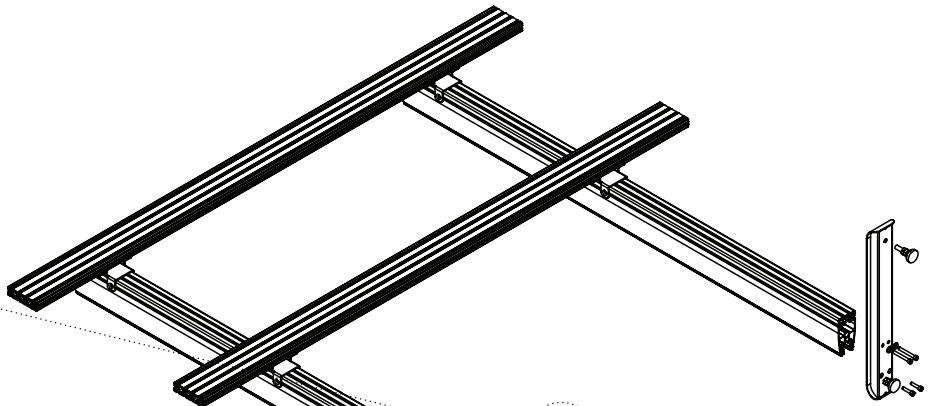
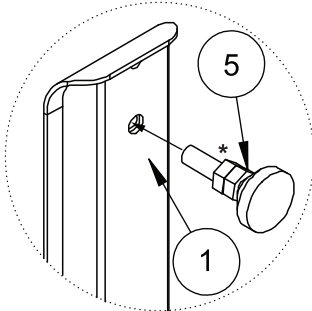
Email: info@btechavmounts.com

©2018 B-Tech International Design and Manufacturing Limited. All rights reserved. B-Tech AV Mounts is a division of B-Tech International Design & Manufacturing Ltd. B-Tech, Better By Design and System X are registered trademarks of B-Tech International Design & Manufacturing Ltd. All other brands and product names are trademarks of their respective owners. Photographs are for illustrative purposes only EO&E. B-Tech International Design & Manufacturing Ltd, its distributors and dealers are not responsible for damage or injury caused by improper installation, improper use, modifications, installations over the specified weight capacity and/or failure to observe these safety instructions. In such cases, any warranty will expire. It is recommended that this product should only be installed by a qualified professional / installer. For indoor use only. B-Tech does not claim any liability for any difficulties that may arise from the interpretation contained in these instructions. Failure to mount this product correctly may lead to serious injury and/or death. Please check carefully to make sure there are no missing or defective parts - defective parts must never be used. In the event of missing and/or defective parts, or technical questions, please contact an authorised dealer.

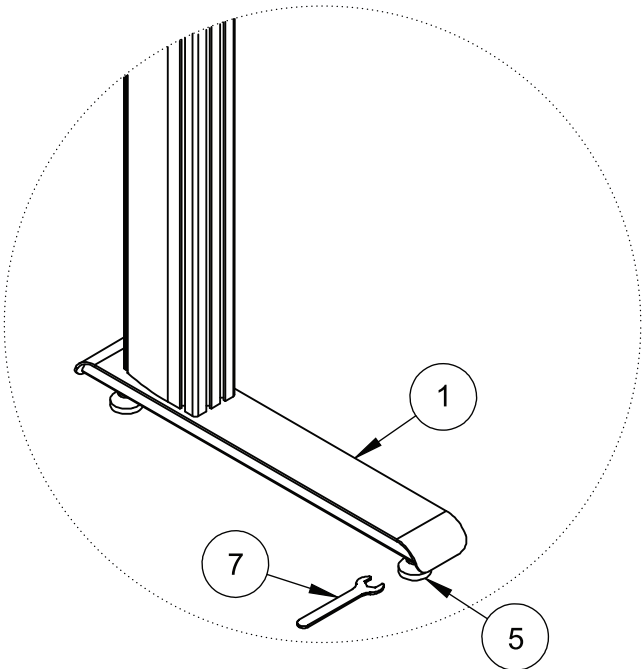
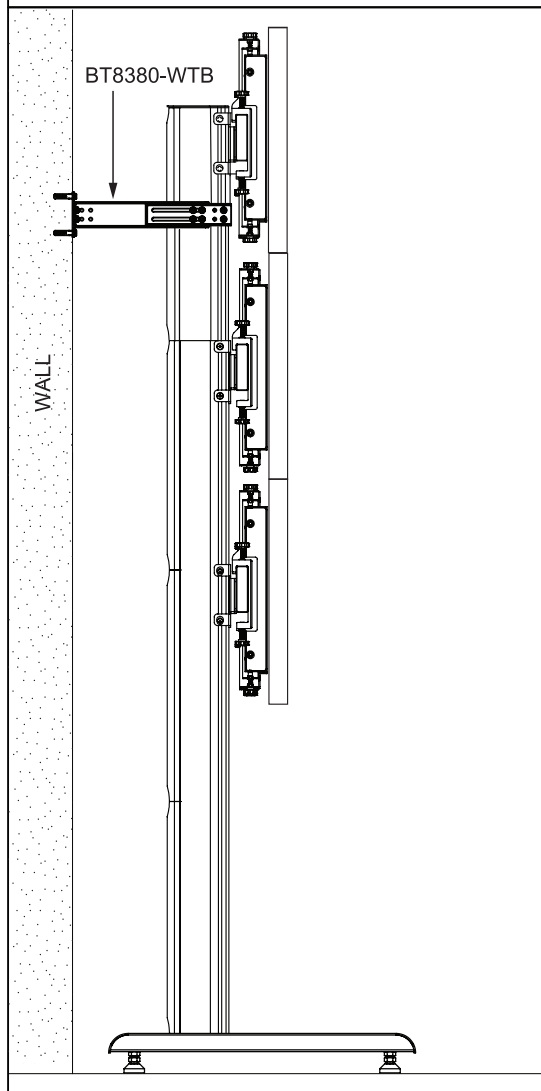
www.btechavmounts.com

AMA-BT8380-SHB-V1-PROBX-0518-110 Made in Vietnam

SYSTEM X FLOOR STAND COLUMN ASSEMBLY



On larger installs, use a *BT8380-WTB* wall tie-back for stand stability



Adjust feet on uneven surfaces

**Optional* - Remove the extra nut on the feet for a lower profile install
Note: Short floor base is not suitable for use with castors