



SECURES
 VIDEOWALLS
 TO ADJACENT
 WALLS

BT8380-WTB

WALL TIE-BACK

FOR SYSTEM X™ & BT8350 VIDEOWALLS

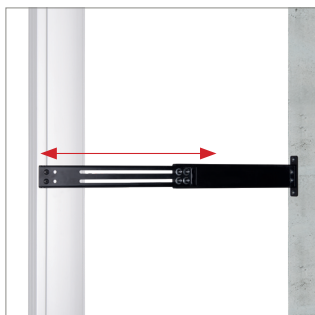
The BT8380-WTB is a tie-back system that provides added stability to B-Tech installations. Compatible with System X vertical columns, the BT8350 range of videowall stands and System 2 poles, the BT8380-WTB works by securing the installation to an adjoining wall. A tie-back may be required for extra tall installations or set-ups using small floor bases such as the BT8380-FFB or the BT8380-SHB. The BT8380-WTB features an adjustable extension which allows installations to be mounted from 214mm up to 707mm from the wall.

SPECIFICATION

Adjustable extension	214 - 707mm
Wall tie-backs supplied per pack	1
Colour	Black

FEATURES

- Secures a BT8380 column to an adjoining wall for added stability
- Can also be fitted directly to the BT8350 range of videowall stands
- B-Tech accessory collars can be used to fit the BT8380-WTB to System 2 pole mounted installations
- Recommend for extra tall installations or set-ups using small floor bases such as the BT8380-SHB or the BT8380-FFB
- All necessary fixings included



Adjustable extension allows installations to be mounted from 214mm up to 707mm from the wall



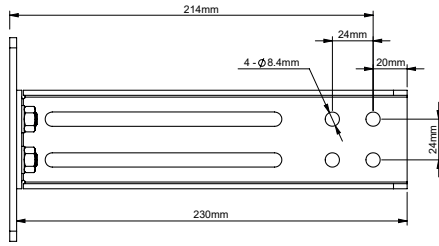
Secures System X stands that use small bases such as the BT8380-SHB to an adjoining wall



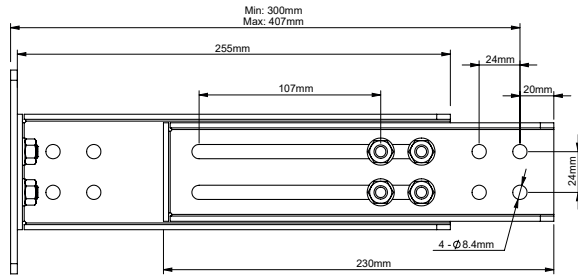
Can also be fitted directly to the frame of a BT8350 videowall stand for added stability



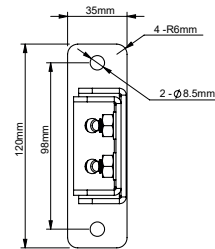
An accessory collar can be used to attach the BT8380-WTB to System 2 pole mounted installations



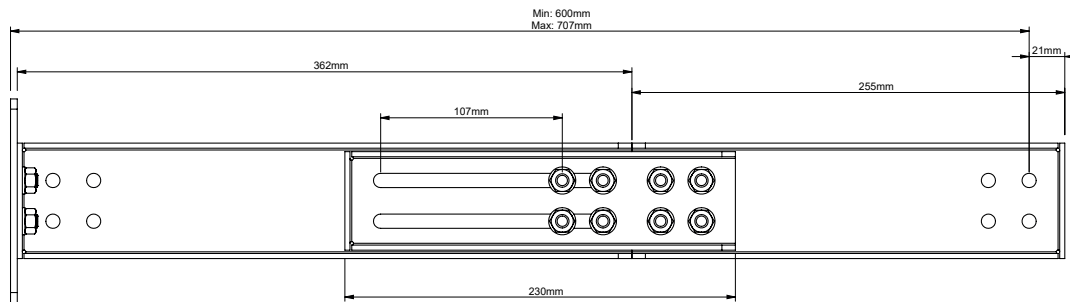
SIDE VIEW - CONNECTOR PLATE



SIDE VIEW - CONNECTOR PLATE WITH SHORT EXTENSION PLATE



FRONT VIEW - WALL PLATE



SIDE VIEW - CONNECTOR PLATE WITH LONG EXTENSION PLATE

PACKING INFORMATION

ORIGINAL DESIGNS BY B-TECH AV MOUNTS - REGISTERED DESIGNS & PATENTS APPLY

COLOUR:	ORDER REF:	EAN CODE:	MASTER CARTON QTY:	INNER CARTON QTY:	MASTER CARTON WEIGHT:	MASTER CARTON CUBE:
Black	BT8380-WTB/B	5019318501920	5	0	14.7kg	0.014 cbm

ACCESSORIES AND RELATED PRODUCTS



BT8350
Modular Freestanding Video Wall Mounting System allows for multiple configurations



BT8380-060/180/240
BT8380-WTB secures BT8380 columns to an adjoining wall for added stability



BT8380-SHB
Short Floor Base ideal for displays and other applications with minimal floor space



BT7841
2-Piece Accessory Collar designed to attach a variety of different mounts including securing installations with the BT8380-WTB

© 2016 B-Tech Av Mounts. All rights reserved. This information is provided for informational purposes only. B-Tech Av Mounts and its technologies are registered trademarks of B-Tech International Design & Manufacturing Ltd. We warrant the information on this website to be accurate as of the date of publication. B-Tech Av Mounts is not responsible for any damage caused by improper or unauthorized use of its products. Any reproduction or transmission of any part of this specification is strictly prohibited unless prior written permission has been granted by B-Tech International Design & Manufacturing Ltd. (BTD).

SS-V1.1-BT8380-WTB-091018