

AT-TQ1402 Series

Wireless Access Point

AT-TQ1402

AT-TQm1402



Installation Guide

Copyright © 2019 Allied Telesis, Inc.

All rights reserved. No part of this publication may be reproduced without prior written permission from Allied Telesis, Inc.

Allied Telesis and the Allied Telesis logo are trademarks of Allied Telesis, Incorporated. All other product names, company names, logos or other designations mentioned herein are trademarks or registered trademarks of their respective owners.

Allied Telesis, Inc. reserves the right to make changes in specifications and other information contained in this document without prior written notice. The information provided herein is subject to change without notice. In no event shall Allied Telesis, Inc. be liable for any incidental, special, indirect, or consequential damages whatsoever, including but not limited to lost profits, arising out of or related to this manual or the information contained herein, even if Allied Telesis, Inc. has been advised of, known, or should have known, the possibility of such damages.

Electrical Safety and Emissions Standards

This product meets the following standards:

- ❑ “Federal Communications Commission Interference Statement”
- ❑ “European Union Restriction of the Use of Certain Hazardous Substances (RoHS) in Electrical and Electronic Equipment” on page 4
- ❑ “Safety and Electromagnetic Emissions” on page 4
- ❑ “Translated Safety Statements” on page 7

Federal Communications Commission Interference Statement

Declaration of Conformity

Manufacturer Name: **Allied Telesis**

Declares that the product: **802.11ac wave2 2x2 2.4G/5G wireless AP**

Model Number: **AT-TQ1402 and AT-TQm1402**

This device complies with Part 15 of the FCC Rules. Operation is subject to the following two conditions: (1) This device may not cause harmful interference, and (2) this device must accept any interference received, including interference that may cause undesired operation.

This equipment has been tested and found to comply with the limits for a Class B digital device, pursuant to Part 15 of the FCC Rules. These limits are designed to provide reasonable protection against harmful interference in a residential installation. This equipment generates, uses and can radiate radio frequency energy and, if not installed and used in accordance with the instructions, may cause harmful interference to radio communications. However, there is no guarantee that interference will not occur in a particular installation. If this equipment does cause harmful interference to radio or television reception, which can be determined by turning the equipment off and on, the user is encouraged to try to correct the interference by one of the following measures:

- Reorient or relocate the receiving antenna.
- Increase the separation between the equipment and receiver.
- Connect the equipment into an outlet on a circuit different from that to which the receiver is connected.
- Consult the dealer or an experienced radio/TV technician for help.

**Caution**

FCC Caution: Any changes or modifications not expressly approved by the party responsible for compliance could void the user's authority to operate this equipment. ⚡ E80

**Avertissement**

Avertissement de la FCC: Les changements ou modifications non expressément approuvés par la partie responsable de la conformité pourraient annuler l'autorité de l'utilisateur à utiliser cet équipement. ⚡ E80

This transmitter must not be co-located or operating in conjunction with any other antenna or transmitter. The device is restricted to indoor use only.

Radiation Exposure Statement:

This equipment complies with FCC radiation exposure limits set forth for an uncontrolled environment. This equipment should be installed and operated with minimum distance 20 cm between the radiator and your body.

European Union Restriction of the Use of Certain Hazardous Substances (RoHS) in Electrical and Electronic Equipment

This Allied Telesis RoHS-compliant product conforms to the European Union Restriction of the Use of Certain Hazardous Substances (RoHS) in Electrical and Electronic Equipment. Allied Telesis ensures RoHS conformance by requiring supplier Declarations of Conformity, monitoring incoming materials, and maintaining manufacturing process controls.

Note

For additional regulatory statements, refer to Appendix B, "Regulatory Statements" on page 51.

Safety and Electromagnetic Emissions

Standard Compliance

- RoHS compliant
- European Union RoHS (Directive 2011/65/EU of the European Parliament and of the Council of 8 June 2011 on the restriction of the use of certain hazardous substances in electrical and electronic equipment.)

Wire Communication

- IEEE 802.1
- IEEE 802.3
- IEEE 802.3u
- IEEE 802.3x
- IEEE 802.3af

Wireless Communication

- IEEE 802.11 DSSS
- IEEE 802.11a OFDM
- IEEE 802.11b DSSS/FHSS
- IEEE 802.11g OFDM
- IEEE 802.11n OFDM
- IEEE 802.11ac OFDM
- ARIB STD-T66
- ARIB STD-T71

Safety

- CB/UL
 - UL/IEC 60950-1: 2005+A1:2009+A2:2013 and EN60950-1:2006+A11:2009+A1:2010+A12:2011+A2:2013
 - UL/IEC 62368-1:2014 and EN62368-1:2014
 - UL 60950-1, 2nd Edition, 2014-10-14/CSA C22.2 NO. 60950-1-07, 2nd Edition, 2014-10
 - IEC 62368-1;2014 AND EN63268-1:2014
 - UL 62368-1, 2nd Edition, 2014-12-01
 - CSA C22.2 No. 62368-1-14, 2nd Edition, 2014-12-01
- TUV
 - EN60950-1+EN62368-1 (Co-license)
- AEL
 - Class I, US FDA/CDRH
 - EN(IEC) 60825-1:1994+a11,
 - EN(IEC) 60825-2:1994
 - EN(IEC) 60950: 1992+A1+A2+A3

Electro Magnetic Interference (EMI)

- FCC part15 Subpart B/ Class B
- EN55032 Class B
- CISPR 32
- VCCI Class B
- VCCI-CISPR 32:2016
- AS/NZS CISPR 32

Electro Magnetic Susceptibility (EMS) - EN55024 and EN55035

- IEC 61000-4-2:2008
- IEC 61000-4-3: 2006+A1:2007+A2:2010
- IEC 61000-4-4:2012
- IEC 61000-4-5:2017
- IEC 61000-4-6:2013
- (IEC 61000-4-8:2009)
- IEC 61000-4-11:2014/AMD:2017
- IEC 61000-3-2:2014
- IEC 61000-3-3:2013

FCC

- 47 CFR Part15, subpart C
- 47 CFR Part15, subpart E

CE

- RED Directive 2014/53/EU
- European Council Directive 2014/30/EU
- EN55032:2015+AC:2016
- EN 55024:2010+A1:2015
- EN 301489-1 V2.1.1
- EN 301489-17 V3.1.1
- EN 300328 V2.1.1
- EN 301893 V2.1.1
- EN 62311: 2008/ 50385: 2017
- EN55035:2017

RCM

- CISPR 32:2015/COR1:2016
- AS/NZS CISPR 32: 2015
- AS/NZS 4268: 2017

Translated Safety Statements

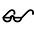
Important: The  indicates that a translation of the safety statement is available in a PDF document titled *Translated Safety Statements* on the Allied Telesis website at www.alliedtelesis.com/support.

Table of Contents

Preface	15
Product Description	19
Overview	20
Features	22
Hardware Features	22
Management Access	23
LAN Port	23
Redundant Power Supply	25
LEDs	26
Cable Specifications	27
AT-TQ1402 Series Wireless Access Point Installation	29
Review Safety Precautions	30
Unpack Shipping Box Contents	32
Installation Guidelines	33
Install Access Point	34
General Installation Guidelines	34
Table Top Installation	34
Ceiling or Wall - Mounting Bracket Installation	35
Install Ethernet Cable and External DC Power Supply	40
External AC/DC Power Adapter Installation	40
Install Anti-theft Device	41
Ceiling or Wall - Attach Chassis to Mounting Bracket	42
Start Initial Management Session	44
Technical Specifications	45
Physical Specifications	45
Environmental Specifications	45
Power Specifications	46
Input Power Specifications	46
External Power Supply Specifications	46
PoE Power Requirements	47
Cable Specifications	48
LAN Port Specifications and Pinouts	49
Port Specifications	49
Port Pinouts	49
Regulatory Statements	51
Federal Communication Commission Interference Statement	52
Europe - EU Declaration of Conformity	54
Operating Frequencies and Maximum Transmission Power Levels	54
Radiation Exposure Statement	54
Importer	54

List of Figures

Figure 1: Top View	20
Figure 2: Front Edge View	21
Figure 3: Back Edge View	21
Figure 4: Acceptable Orientations on a Tabletop, Wall and Ceiling Installation	33
Figure 5: Attach Screws to Access Point Chassis	36
Figure 6: Adjust Screws on Access Point	36
Figure 7: Remove Mounting Bracket From Access Point	37
Figure 8: Mark and Pre-Drill Holes for Key-Hole Slots	38
Figure 9: Mount Bracket On Screws Using Key-Hole Slots	38
Figure 10: Pre-Drill Holes for Mounting Bracket	39
Figure 11: Stationary Bracket Position	39
Figure 12: Connect Ethernet Cable to LAN Port	40
Figure 13: Connect External AC/DC Power Adapter Cable	41
Figure 14: Kensington Lock Port Location	41
Figure 15: Align/Insert Access Point into Mounting Bracket	42
Figure 16: Seat Access Point onto Mounting Bracket	43
Figure 17: Securely Fasten Chassis to Mounting Bracket with Thumbscrew	43
Figure 18: Logon Prompt	44
Figure 19: Pin Layout for RJ45 Connector on LAN Port	49

List of Tables

Table 1. Primary Port for Power Source	25
Table 2. LED Status Information	26
Table 3. Shipping Box Components	32
Table 4. Physical Specifications	45
Table 5. Environmental Specifications	45
Table 6. Input Power Specifications	46
Table 7. External Power Supply Specifications	46
Table 8. PoE Power Requirements	47
Table 9. LAN Port Twisted Pair Cable Requirements	48
Table 10. LAN Port Specifications	49
Table 11. MDI Pin Signals (10Base-T or 100Base-TX)	49
Table 12. MDI-X Pin Signals (10Base-T or 100Base-TX)	50
Table 13. Connector Pinouts (1000Base-T)	50

Preface

This guide contains the hardware installation instructions for the AT-TQ1402 Series Wireless Access Point. This preface contains the following sections:

- “Safety Symbols Used in this Document” on page 16
- “Contacting Allied Telesis” on page 17

Safety Symbols Used in this Document

This document uses the following conventions.

Note

Notes provide additional information.



Caution

Cautions inform you that performing or omitting a specific action may result in equipment damage or loss of data.



Warning

Warnings inform you that performing or omitting a specific action may result in bodily injury.

Contacting Allied Telesis

If you need assistance with this product, you may contact Allied Telesis technical support by going to the Support & Services section of the Allied Telesis web site at www.alliedtelesis.com/support. You can find links for the following services on this page:

- ❑ 24/7 Online Support — Enter our interactive support center to search for answers to your product questions in our knowledge database, check support tickets, learn about Return Merchandise Authorizations (RMAs), and contact Allied Telesis technical experts.
- ❑ USA and EMEA phone support — Select the phone number that best fits your location and customer type.
- ❑ Hardware warranty information — Learn about Allied Telesis warranties and register your product online.
- ❑ Replacement Services — Submit an RMA request via our interactive support center.
- ❑ Documentation — View the most recent installation and user guides, software release notes, white papers, and data sheets for your products.
- ❑ Software Downloads — Download the latest software releases for your managed products.

For sales or corporate information, go to www.alliedtelesis.com/purchase.

Chapter 1

Product Description

This chapter describes the hardware components of the AT-TQ1402 Series Wireless Access Point. This chapter contains the following sections:

- ❑ “Overview” on page 20
- ❑ “Features” on page 22
- ❑ “LAN Port” on page 23
- ❑ “Redundant Power Supply” on page 25
- ❑ “LEDs” on page 26
- ❑ “Cable Specifications” on page 27

Overview

The AT-TQ1402 Series Access Point is a dual-band access point designed to connect wireless devices to your local area network. This device can be mounted on a ceiling, wall or tabletop.

It is equipped with:

- PoE-capable Ethernet port
- DC-IN jack for an external power supply with a DC power switch
- Console port for manufacturing purposes only
- Power On/Off button
- Reset button
- Kensington lock port for physical security in your installation environment.

The top view of the AT-TQ1402 Series is illustrated in Figure 1.



Figure 1. Top View

The front edge view of the AT-TQ1402 Series is illustrated in Figure 2.

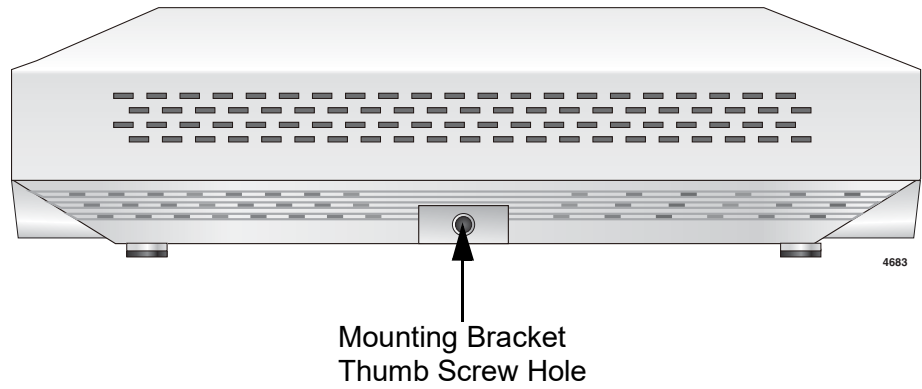


Figure 2. Front Edge View

The back edge view of the AT-TQ1402 Series is illustrated in Figure 3.

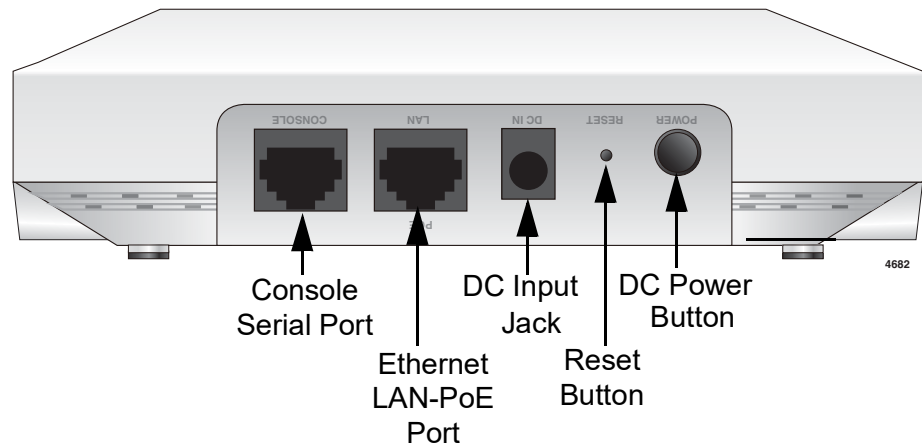


Figure 3. Back Edge View

Note

The DC Power Button only controls power into the DC-IN jack only. PoE power provided on the LAN port is not affected by this button.

Features

This section lists the main features of the AT-TQ1402 Series Wireless Access Point.

Hardware Features

The hardware features are as follows:

- ❑ One fixed 10/100/1000 BASE-T port (RJ-45) in dual function mode to support IEEE standard 802.3af compliance powered device (PD) mode of PoE. Based on parallel 12 DC in power plane from PD power and DC-IN power source, and the power source supplies to AP from PoE and external power supply unit (PSU) in parallel.
- ❑ Above RJ-45 ports are half- and full-duplex-compliant under IEEE standards 802.3x and 802.3z. The port auto-negotiates wire speed, duplex, and MDI/MDIX settings.
- ❑ 2x2 2.4 GHz + 2x2 5 GHz internal antennas.
- ❑ One Reset Button for Device Reboot or Reset to Default functions.
- ❑ One Power Jack for the supplied power source from the Power Adapter.
- ❑ One Ejector Push Button which is the hardware Power on/off switch only for the Power Adapter.
- ❑ Built-in one 16 MB SPI NOR flash and 128 MB DDR2 memory.
- ❑ Supports three single-color LEDs (i.e., LAN, 2.4 GHz, 5 GHz).
- ❑ Support one dual color LED (i.e., Power LED).
- ❑ 2.4 GHz band Frequency Range: 2412 MHz – 2484 MHz.
- ❑ 5 GHz band Frequency Range: 5150 MHz – 5250 MHz, 5725 MHz – 5850 MHz.
- ❑ IEEE802.11a/b/g/n/ac.
- ❑ 2.4 GHz 2x2 MIMO 20/40 MHz Bandwidth.
- ❑ 5 GHz 2x2 MIMO 20/40/80 MHz Bandwidth.
- ❑ IEEE802.11ac function: downlink MU-MIMO, TX beamforming.
- ❑ One Kensington lock port.
- ❑ One RS232 RJ-45 port for software management console function (factory use only).
- ❑ Ceiling, Wall, or table top installation.

Management Access

Access to manage the software features of the access point are:

- Standalone
- HTTPS

LAN Port

The AT-TQ1402 Series Access Point is equipped with one Ethernet port - LAN. The LAN port is capable of receiving PoE power (powered device port) as the primary power or standing by as the backup power source for an external power supply unit.

Note

For more information, see “Redundant Power Supply” on page 25.

The LAN port is capable of transmitting and receiving Ethernet traffic and is typically connected to an Ethernet switch.

Power over Ethernet (PoE)

The AT-TQ1402 Series Access Point supports PoE on the LAN port. The access point is a PoE Class 3 PD and its maximum power consumption is 12.95 watts. When the LAN port is connected to a PoE Ethernet power source and no external power supply is connected, the access point receives its power over the same LAN network cable that carries the network traffic.

Connector Type

The LAN port has an eight-pin RJ45 connector for 10/100/1000 Mbps communication. Refer to the tables in “Port Pinouts” on page 49 for the pin assignments.

Speed

The LAN port can operate at 10/100 Mbps or 1000 Mbps. The speed is set automatically with Auto-Negotiation. You cannot disable Auto-Negotiation on the port.

Note

The LAN port should be connected to a network device that also adjusts its speed with Auto-Negotiation. If the network device does not support Auto-Negotiation, the LAN port operates at 10 Mbps, which may reduce network performance.

Duplex Mode

The LAN port can operate in either half- or full-duplex mode at 10/100 Mbps, and full-duplex mode at 1000 Mbps. The port is IEEE 802.3u-compliant and uses Auto-Negotiation to set the duplex mode. (You cannot disable Auto-Negotiation on the port.)

Note

The LAN port should be connected to a network device that also sets its duplex mode with Auto-Negotiation. If the network device does not support Auto-Negotiation, the LAN port operates at half-duplex mode. This may result in a duplex mode mismatch if the network device is operating at full duplex.

Automatic MDIX Detection

The 10/100/1000 Mbps twisted-pair port is IEEE 802.3ab-compliant and features automatic MDIX detection when operating at 10/100 Mbps. (Automatic MDIX detection does not apply to 1000 Mbps.) This feature automatically configures the port to MDI or MDI-X depending on the wiring configuration of the port on the Ethernet switch.

Do not disable automatic MDIX detection. For automatic MDIX detection to work properly, it must also be present on the Ethernet switch. The LAN port defaults to MDIX if it is connected to a network device that does not support automatic MDIX detection.

Port Pinouts

One port without a shielded RJ45 connector is available for 10/100/1000 base copper communication and PD of PoE on the rear panel. That connector is compliant with IEC603-7 and IEEE 802.3af requirements. One RJ45 connector is available for RS-232 communication on the rear panel. Refer to Table 13 on page 50 for the port pinout.

Redundant Power Supply

The AT-TQ1402 Series Access Point offers a redundant power supply system. In addition to the power supply through the DC-IN jack, the access point has one PoE-capable LAN port (LAN). The external power supply connected to the DC-IN jack is the primary power source for the unit. If the power supply unit on the access point fails, power is supplied to the access point via the PoE port. Table 1 shows power source for the AT-TQ1402 Series Access Point under specific conditions.

Table 1. Primary Port for Power Source

Case	Power Supply		Primary Port - Power Source
	DC-IN jack	LAN	
1	On	On	The access point is supplied power via the DC-IN jack.
2	On	-	The access point is supplied power via the DC-IN jack. No redundancy is provided.
3	-	On	The access point is supplied power through the LAN port. No redundancy is provided.

LEDs

The LEDs on the AT-TQ1402 Series Access Point top panel display the status information. This LED display status information is given in Table 2.

Table 2. LED Status Information

LED	State	Description
Power (PWR)	GREEN	AT-TQ1402 Series is powered ON and operating normally.
	AMBER	System is booting up. OR A fault condition has been detected.
	BLINKING AMBER	The firmware is upgrading.
	OFF	AT-TQ1402 Series is <i>not</i> receiving power.
LAN (PoE)	GREEN	A valid link is established on the port.
	BLINKING GREEN	Data is being transmitted and received.
	OFF	No link is established.
2.4GHz Wi-Fi	GREEN	The 2.4GHz Wi-Fi interface is enabled.
	OFF	The 2.4GHz Wi-Fi interface is disabled.
5 GHz Wi-Fi	GREEN	The 5GHz Wi-Fi interface is enabled.
	OFF	The 5GHz Wi-Fi interface is disabled.

Cable Specifications

The AT-TQ1402 Series Access Point is connected to your local area network with Ethernet cables from Ethernet ports LAN. Refer to “Cable Specifications” on page 48 for the specifications of these cables.

Chapter 2

AT-TQ1402 Series Wireless Access Point Installation

This chapter describes how to install the AT-TQ1402 Series Access Point. It contains the following sections:

- “Review Safety Precautions” on page 30
- “Unpack Shipping Box Contents” on page 32
- “Installation Guidelines” on page 33
- “Install Access Point” on page 34
 - “General Installation Guidelines” on page 34
 - “Table Top Installation” on page 34
 - “Ceiling or Wall - Mounting Bracket Installation” on page 35
 - “Install Ethernet Cable and External DC Power Supply” on page 40
 - “External AC/DC Power Adapter Installation” on page 40
 - “Install Anti-theft Device” on page 41
 - “Ceiling or Wall - Attach Chassis to Mounting Bracket” on page 42
 - “Start Initial Management Session” on page 44

Review Safety Precautions

Please review the following safety precautions before you begin to install the access point.

Important: Safety statements that have the ⚡ symbol are translated into multiple languages in the *Translated Safety Statements* document, which is available at www.alliedtelesis.com/library.

Remarque: Les consignes de sécurité portant le symbole ⚡ sont traduites dans plusieurs langues dans le document *Translated Safety Statements*, disponible à l'adresse www.alliedtelesis.com/library.



Warning

To prevent electric shock, do not remove the cover. No user-serviceable parts inside. This unit contains hazardous voltages and should only be opened by a trained and qualified technician. To avoid the possibility of electric shock, disconnect electric power to the product before connecting or disconnecting the LAN cables.

⚡ E1



Warning

Do not work on equipment or cables during periods of lightning activity. ⚡ E2

Note

All Countries: Install product in accordance with local and National Electrical Codes. ⚡ E8



Warning

Only trained and qualified personnel are allowed to install or to replace this equipment. ⚡ E14



Warning

To reduce the risk of electric shock, the PoE ports on this product must not connect to cabling that is routed outside the building where this device is located. ⚡ E40



Warning

This equipment shall be installed in a Restricted Access location.

⚡ **E45**



Warning

FCC Caution: Any changes or modifications not expressly approved by the party responsible for compliance could void the user's authority to operate this equipment. *⚡* **E80**

Note

The AT-TQ1402 Series must be supplied by:

1. A UL Listed external AC/DC power supply suitable for use at Tma 45 °C, a maximum operating altitude of 3000 m or higher, and whose output meets separated extra-low voltage (SELV), limited power sources (LPS) and is rated 12 VDC, 2.0 A,

OR

2. By Power over Ethernet through an UL Listed ITE. Refer to Table 7, "External Power Supply Specifications" on page 46.

Unpack Shipping Box Contents

To unpack the AT-TQ1402 Series Access Point from the shipping box, perform the following procedure:


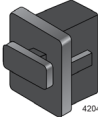
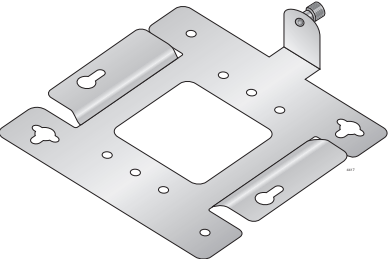

1. Remove all components from the shipping box.

Note

Store the packaging material in a safe location so that if you need to return the unit to Allied Telesis, you will have the original shipping material available.

2. Verify that all components listed in Table 3 are included in your shipping box. If any item is missing or damaged, contact your Allied Telesis sales representative for assistance.

Table 3. Shipping Box Components

Name	Component
AT-TQ1402 Series Access Point	
1 ea RJ-45 Dust Cap (for Console port)	
1 ea Mounting Bracket	
2 ea Screws for the Chassis (M5 x 8mm, Pan-head)	

Installation Guidelines

Review the following guidelines before installing the access point:

- ❑ The ceiling or wall mounting surface must be of proper material to accommodate the screws and strong enough to support the weight of the access point and cables. (Refer to Table 4 on page 45 for the product weight.)
- ❑ Connect the Ethernet cable and power cord to the access point before installing the access point on the ceiling or wall. These are physically difficult to install after the chassis is installed on the mounting bracket.
- ❑ Ensure the Ethernet cable is long enough to connect to its destination point before installing the access point. Once the installation is complete, it is physically difficult to change the cables.
- ❑ If the primary power for the access point is to be the external power supply (not provided with the AT-TQ1402 Series Access Point), ensure that an AC power outlet is within six feet of the planned installation site. (Refer to Table 6 on page 46 for the power supply AC power specifications.)
- ❑ Refer to Figure 4 for the acceptable orientations for the table top, wall and ceiling installations.

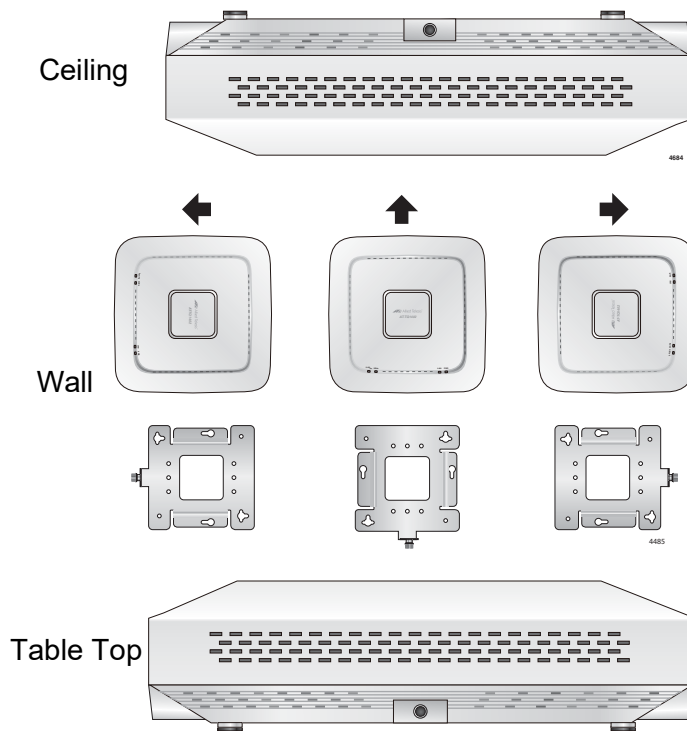


Figure 4. Acceptable Orientations on a Tabletop, Wall and Ceiling Installation

Install Access Point

This section contains the following topics:

- ❑ “General Installation Guidelines” on page 34
- ❑ “Table Top Installation” on page 34
- ❑ “Ceiling or Wall - Mounting Bracket Installation” on page 35
- ❑ “Install Ethernet Cable and External DC Power Supply” on page 40
- ❑ “External AC/DC Power Adapter Installation” on page 40
- ❑ “Install Anti-theft Device” on page 41
- ❑ “Ceiling or Wall - Attach Chassis to Mounting Bracket” on page 42

General Installation Guidelines

The AT-TQ1402 Series Access Point can be mounted on a table, wall, or hard-surface ceiling. The general installation guidelines are as follows:

- ❑ Read “Review Safety Precautions” on page 30.
- ❑ Review “Installation Guidelines” on page 33.
- ❑ Select a location where both the power and Ethernet cable will reach the power source and the partner Ethernet device.

Table Top Installation

This section outlines the table top installation procedure.

Preparation for Table Top Installation

You need the following items to install the AT-TQ1402 Series Access Point on a table top:

- ❑ AT-TQ1402 Series Access Point
- ❑ One Ethernet cable - See “Cable Specifications” on page 48
- ❑ External AC/DC power supply (optional and not provided - Allied Telesis recommends the AT-MWS0091 AC/DC Power Adapter)
- ❑ Kensington Lock (optional and not provided)

Table Top Installation Procedure

Perform the following steps for the table top installation:

1. Go to “Install Ethernet Cable and External DC Power Supply” on page 40.
2. If you choose to install a security cable to the AT-TQ1402 Series Access Point, go to “Install Anti-theft Device” on page 41.

3. The installation of your AT-TQ1402 Series Access Point on the table top surface is now complete.

Ceiling or Wall - Mounting Bracket Installation

This section explains how to install the access point on a ceiling or wall that consists of a hard surface. The following topics are included:

- “Preparation for Ceiling or Wall Installation” on page 35
- “Pre-Fit Mounting Bracket on AT-TQ1402 Series Access Point” on page 36
- “Install Mounting Bracket on Ceiling or Wall” on page 37
- “External AC/DC Power Adapter Installation” on page 40
- “Install Anti-theft Device” on page 41
- “Ceiling or Wall - Attach Chassis to Mounting Bracket” on page 42

Preparation for Ceiling or Wall Installation

You need the following items to install the access point on a ceiling or wall:

- AT-TQ1402 Series Access Point
- Two screws to attach to the access point to mounting bracket
- Mounting bracket
- Four (4) M4, 25.0 mm flat-head wood screws and optional anchors (not provided) for fastening the mounting bracket
- Phillips head screwdriver (not provided)
- Pencil (not provided)
- External AC/DC power supply (optional and not provided - Allied Telesis recommends the AT-MWS0091 AC/DC Power Adapter)
- Kensington Lock (optional and not provided)

Note

The four Phillips head M4 screws/anchors, the Phillips head screwdriver, pencil, external AC/DC power supply and Kensington Lock are *not* included in the shipping box.

Pre-Fit Mounting Bracket on AT-TQ1402 Series Access Point

To pre-fit the access point on the mounting bracket, perform the following procedure:

1. Install the two screws (provided) in the bottom side of the access point chassis. Refer to Figure 5.

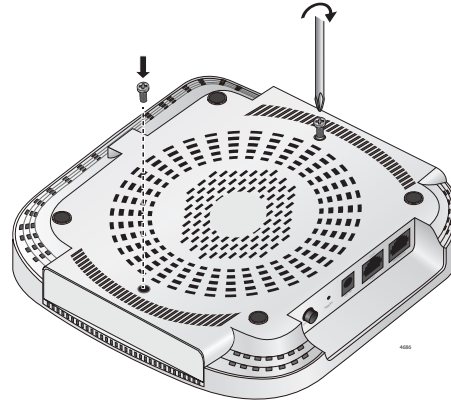


Figure 5. Attach Screws to Access Point Chassis

2. Align and insert the two screws installed in Step 1 into the mounting bracket keyholes. Refer to Figure 6.

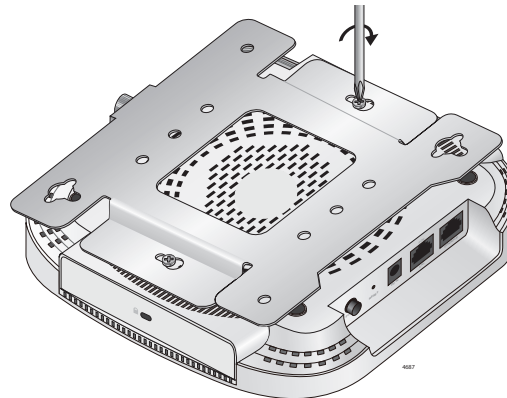


Figure 6. Adjust Screws on Access Point

3. Tighten the screws so that they touch the mounting bracket plate and then loosen them by approximately 1/4 turn.

Note

Adjust the access point chassis screws so they are loose enough to slide into the narrow end of the mounting bracket keyhole, but tight enough to hold the access point close without rattling against the mounting bracket.

4. Slide the mounting bracket forward and temporarily remove it from the access point chassis so the bracket can be independently mounted on the ceiling or wall in the next steps. Refer to Figure 7.

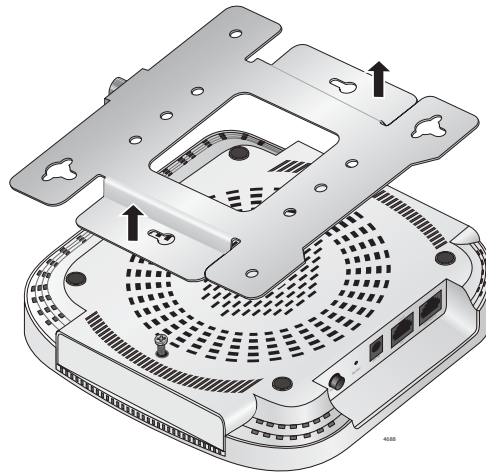


Figure 7. Remove Mounting Bracket From Access Point

Install Mounting Bracket on Ceiling or Wall

1. Choose an allowable orientation of the access point from the examples shown in Figure 4 on page 33.

Ensure that the thumb screw on the mounting bracket is oriented in the same direction as the front of the access point chassis so that the intended orientation of the chassis is achieved after installation.

- Using the mounting bracket as a template, mark the two key-hole slots with a pencil in the location and orientation where you want to install the access point. Refer to the arrows in Figure 8.

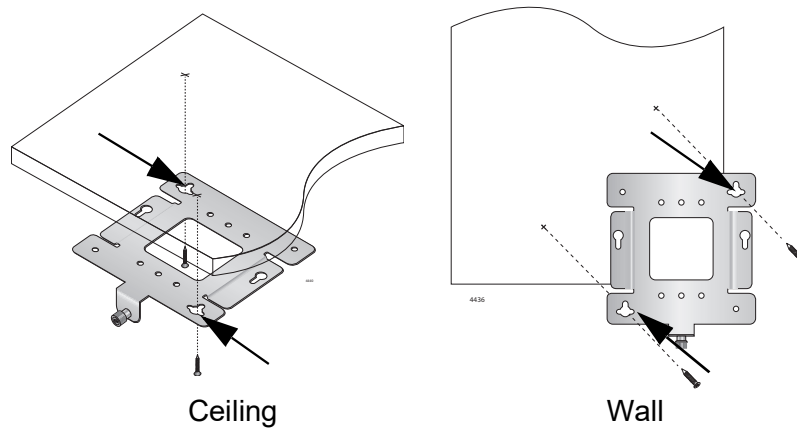


Figure 8. Mark and Pre-Drill Holes for Key-Hole Slots

- Pre-drill the two marked locations for the keyhole slots on the hard-surface ceiling or wall and install two M4 screws and anchors (if required). Leave the screws loose enough so that the bracket can slide under the screw head in Step 4.

Note

For a wooden wall or ceiling, use M4, 25.0 mm flat-head wood screws and anchors if required. The screws and anchors are not provided.

- Insert the openings of the bracket key-hole slots under the two screw heads and slide the bracket into narrow end of the key-hole slot opening. Refer to arrows in Figure 9. Tighten the screws snugly onto the bracket.

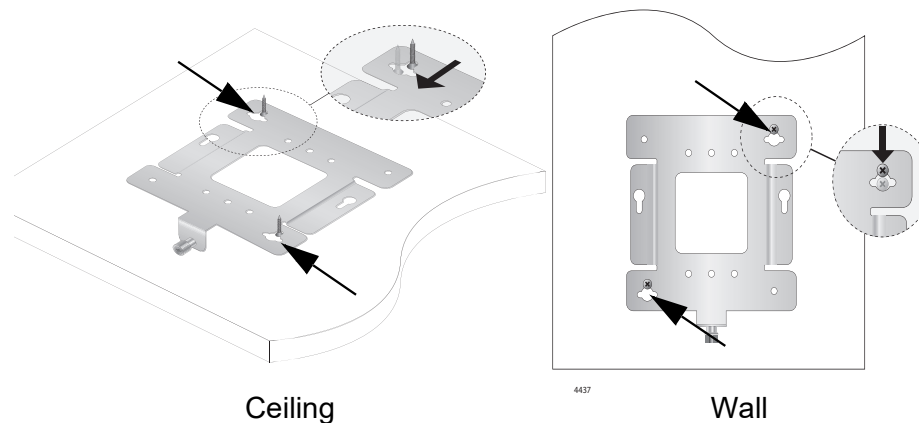


Figure 9. Mount Bracket On Screws Using Key-Hole Slots

- Secure the physical position of the mounting bracket by pre-drilling holes through the two existing open bracket mounting holes in the opposite corners from the key-hole slots. Refer to the arrows in Figure 10.

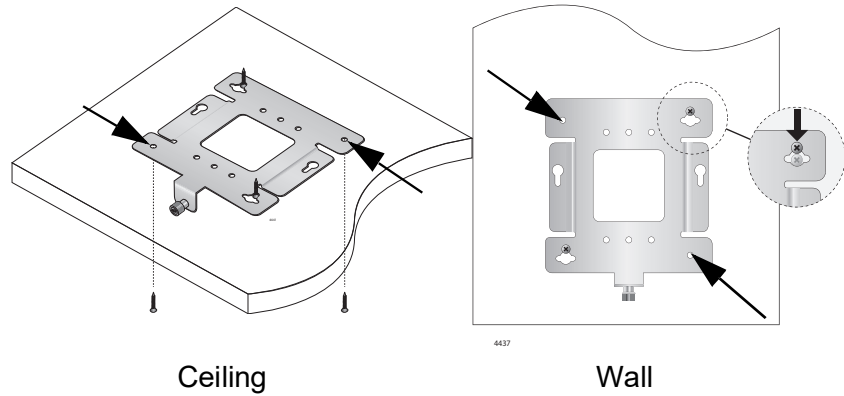


Figure 10. Pre-Drill Holes for Mounting Bracket

- Install and tighten two M4 screws (not provided) in the holes prepared in Step 5. The physical position of the bracket is now stationary. Refer to Figure 11.

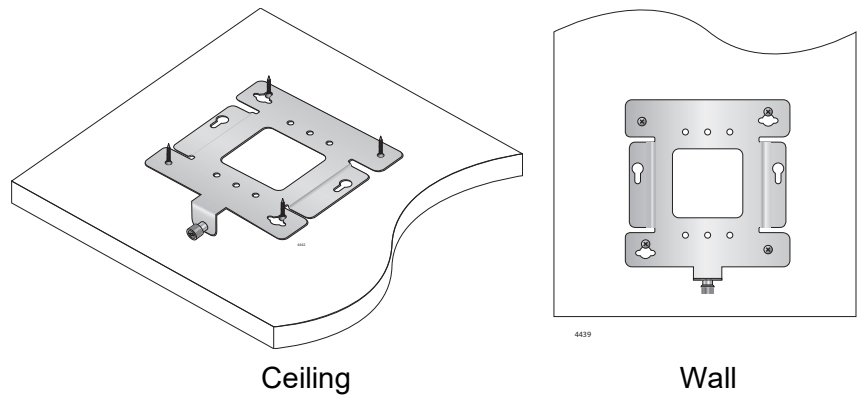


Figure 11. Stationary Bracket Position

- Go to the next procedure - "Install Ethernet Cable and External DC Power Supply".

Install Ethernet Cable and External DC Power Supply

The Ethernet and power cable needs to be connected before attaching the access point to the mounting bracket.

Note

Refer to “Cable Specifications” on page 48 when selecting Ethernet cable.

1. Connect the Ethernet cable into the RJ-45 LAN port. Refer to Figure 12. This Ethernet port is capable of receiving PoE power.

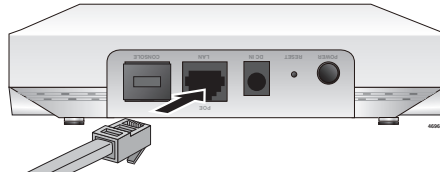


Figure 12. Connect Ethernet Cable to LAN Port

2. Connect the opposite end of the Ethernet cable to your network Ethernet device.

Note

If you plan to use PoE power as the primary or redundant power source, then the Ethernet device connected to the LAN port needs to be capable of providing PoE power. For the PoE input power specifications, refer to “PoE Power Requirements” on page 47.

3. Depending on the primary power source for the AT-TQ1402 Series Access Point, perform one of the following steps:
 - a. If the access point is to be powered with the PoE feature only, then the PoE power source is already connected via the Ethernet cable connected to LAN. Go to “Install Anti-theft Device” on page 41.
 - b. If the primary power for the access point is to be an external AC/DC power supply, proceed to “External AC/DC Power Adapter Installation”.

External AC/DC Power Adapter Installation

If you choose to use an external AC/DC power supply, Allied Telesis recommends that you procure an AT-MWS0091 Power Adapter by contacting your local Allied Telesis representative.

Perform the following procedure to install the external power supply:

1. Check the AC plug on the external power supply and verify that it is the correct plug for your region. If it is not, follow the instructions provided with the external power supply to install the correct AC plug that is compatible with your region.

2. Plug the DC plug of the Power Adapter into the DC-IN jack on the access point. Refer to Figure 13.

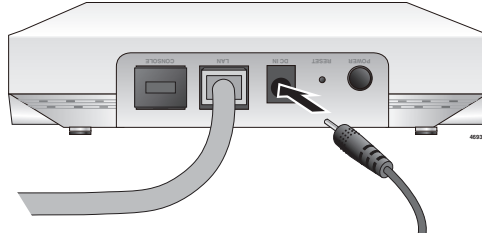


Figure 13. Connect External AC/DC Power Adapter Cable

3. Connect the external power supply AC plug to an appropriate AC power source.
4. On the AT-TQ1402 Series chassis, push the DC Power Button to the "IN" position to turn ON the power supply at the chassis.

Note

The DC Power Button controls power to the DC-IN jack only. PoE power provided on the LAN port is not affected by this button.

5. Go to the "Install Anti-theft Device" section.

Install Anti-theft Device

Installation of an anti-theft cable/lock is optional. If you choose to install a physical security device, the AT-TQ1402 Series has a lock port that is compatible with a Kensington lock. The lock port can be used to physically secure the device when it is installed on a table, wall, or a ceiling.

Note

Anti-theft devices including a Kensington lock are not available from Allied Telesis.

1. Follow the instructions provided with the vendor's anti-theft device packaging for the installation. Refer to Figure 14 for the Kensington lock port location.

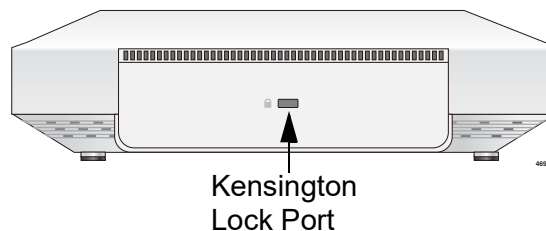


Figure 14. Kensington Lock Port Location

2. If you are installing your AT-TQ1402 Series on a table top surface, your unit is now ready for use.
3. If you are installing your AT-TQ1402 Series on the ceiling or wall installation, go to “Ceiling or Wall - Attach Chassis to Mounting Bracket” on page 42 section.

Ceiling or Wall - Attach Chassis to Mounting Bracket

Perform this procedure to complete the ceiling or wall installation by attaching the chassis to the mounting bracket.

1. Align and insert the two access point chassis screws into the keyhole slots of the mounting bracket. Refer to Figure 15.

Note

These are the same two access point chassis screws that you previously installed in the procedure “Ceiling or Wall - Mounting Bracket Installation” on page 35.

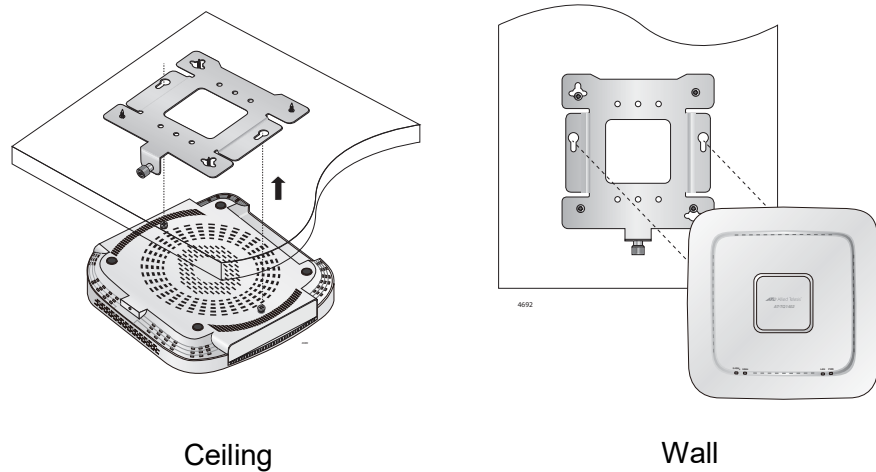


Figure 15. Align/Insert Access Point into Mounting Bracket

2. Slide the chassis forward until seated into the bracket keyhole slot and the bracket thumbscrew is aligned with the screw hole on the front of the chassis. Refer to Figure 16 on page 43.

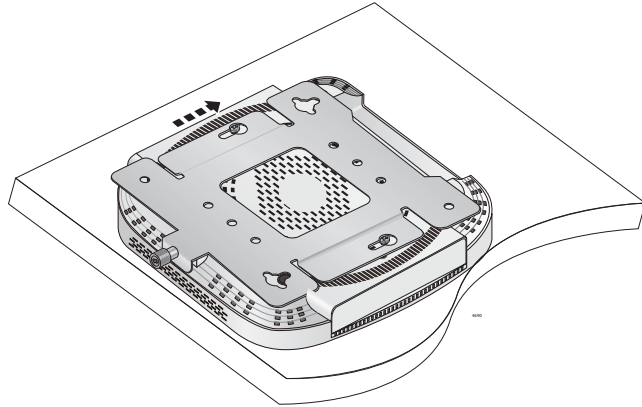


Figure 16. Seat Access Point onto Mounting Bracket

3. Tighten the bracket thumbscrew into the front of the chassis until it is securely fastened. Refer to Figure 17.

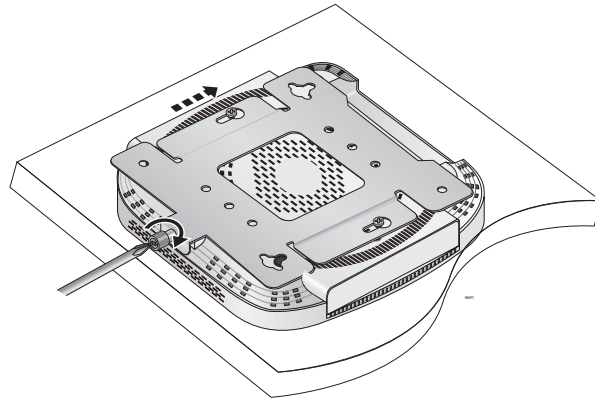


Figure 17. Securely Fasten Chassis to Mounting Bracket with Thumbscrew

4. The ceiling or wall installation is now complete and your AT-TQ1402 Series Access Point is ready for use.

Start Initial Management Session

This section contains an abbreviated version of the procedure to start the initial management session. For complete instructions, refer to the *AT-TQ1402 Series Wireless Access Point Series User's Guide*.

The wireless access point firmware includes a DHCP client. The default setting for the client is enabled. When you power on the access point for the first time, it queries the subnet on the LAN port for a DHCP server. If a DHCP server responds to its query, the unit uses the IP address the server assigns to it. If there is no DHCP server, the access point uses the default IP address 192.168.1.230.

To start the initial management session, perform the following procedure:

1. Start the web browser on your management workstation.
2. Enter the IP address of the wireless access point in the URL field of the web browser. The address is one of the following:
 - If your network does not have a DHCP server, enter the default address 192.168.1.230.
 - If your network has a DHCP server, enter the IP address the DHCP server assigned to the access point.

The wireless access point displays the logon prompt. Refer to Figure 18.

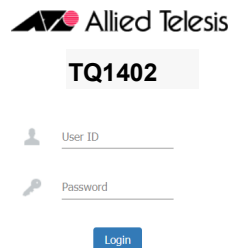


Figure 18. Logon Prompt

3. Enter “manager” for the username and “friend” for the password. The username and password are case-sensitive.

Appendix A

Technical Specifications

This appendix contains the following sections:

- ❑ “Physical Specifications”
- ❑ “Environmental Specifications”
- ❑ “Power Specifications” on page 46
- ❑ “Cable Specifications” on page 48
- ❑ “LAN Port Specifications and Pinouts” on page 49

Physical Specifications

Table 4. Physical Specifications

Parameter	Specification
Dimensions (W x D x H)	163 mm x 165 mm x 40.5 mm (6.42 in. x 6.50 in. x 1.59 in.)
Weight (AT-TQ1402 Series with mounting bracket)	567 g (1.25 lb)

Environmental Specifications

Table 5. Environmental Specifications

Parameter	Specification
Operating Temperature when powered by AC power supply	0° C to 45° C (32° F to 113° F)
Operating Temperature when powered by PoE power source	0° C to 45° C (32° F to 122° F)
Storage Temperature	- 25° C to 70° C (-13° F to 158° F)
Operating Humidity	0% to 90% non-condensing
Storage Humidity	0% to 95% non-condensing
Maximum Operating Altitude	3000 m (9843 ft)

Power Specifications

Input Power Specifications

The power specifications for the AT-TQ1402 Series Access Point are given in Table 6.

Table 6. Input Power Specifications

Parameter	Specification
Rated Input Voltage	12 VDC
Maximum Input Current	0.7 A
Average Input Current	0.52 A

External Power Supply Specifications

The external power supply must be capable of powering the AT-TQ1402 Series Access Point by meeting the specifications given in Table 7.

Table 7. External Power Supply Specifications

Parameter	Specification
Input Voltage Range	90 to 264 V
Input Frequency	47 to 63 Hz
Rated Output Voltage	12 VDC \pm 5%
Rated Output Current	2 A
Temperature Range	0° C to 45° C (32° F to 113° F)
Maximum Operating Altitude	3000 m (9843 ft)

Note

Allied Telesis recommends using the AT-MWS0091 (WA-24Q12R) external AC/DC power supply with the AT-TQ1402 Series Access Point. This power supply is a UL Listed power supply and is fully compatible with the above specifications while meeting the standards of a SELV.

Note

The AT-MWS0091 (WA-24Q12R) external power supply is not supplied or shipped with the AT-TQ1402 Series Access Point product.

PoE Power Requirements

The AT-TQ1402 Series Access Point power requirements for the LAN PoE port are given in Table 8.

Table 8. PoE Power Requirements

Parameter	Specification
AT-TQ1402 Series	12.95 watts
PoE Device Classification	Class 3 Powered Device

Cable Specifications

The AT-TQ1402 Series Access Point Ethernet cable requirements for the LAN ports are listed in Table 9.

Table 9. LAN Port Twisted Pair Cable Requirements

Cable Type	10 Mbps	100 Mbps	1000 Mbps
	PoE	PoE	PoE
Standard TIA/EIA 568-A-compliant Category 5 shielded or unshielded cabling with 100 ohm impedance and 100 MHz frequency.	Yes	Yes	No
Standard TIA/EIA 568-B-compliant Enhanced Category 5 (Cat 5e) shielded or unshielded cabling with 100 ohm impedance and 100 MHz frequency.	Yes	Yes	Yes
Standard TIA/EIA 568-B-compliant Category 6 or 6a shielded cabling.	Yes	Yes	Yes

Note

The maximum operating distance of these cables is 100 meters (328 feet).

LAN Port Specifications and Pinouts

Port Specifications The AT-TQ1402 Series Access Point port specifications are shown in Table 10.

Table 10. LAN Port Specifications

Connector	Specification
Standards - LAN	IEC603-7 (10/100/1000 Base T)
PoE standard - LAN	IEEE 802.3af (class 3)

Port Pinouts The pin signal definitions for 10/100/1000 Mbps Ethernet traffic are as follows.

Figure 19 illustrates the pin layout of the LAN ports.

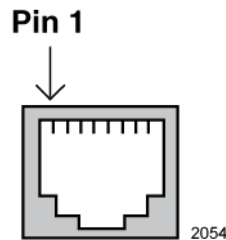


Figure 19. Pin Layout for RJ45 Connector on LAN Port

Table 11 lists the pin signals when the port is operating in the MDI configuration at 10/100 Mbps.

Table 11. MDI Pin Signals (10Base-T or 100Base-TX)

Pin	Signal
1	TX+
2	TX-
3	RX+
6	RX-

Table 12 lists the pin signals for the MDI-X configuration at 10/100 Mbps.

Table 12. MDI-X Pin Signals (10Base-T or 100Base-TX)

Pin	Signal
1	RX+
2	RX-
3	TX+
6	TX-

Table 13 lists the pin signals when the LAN port is operating at 1000 Mbps.

Table 13. Connector Pinouts (1000Base-T)

Pin	Pair	Signal
1	1	TX and RX
2	1	TX and RX-
3	2	TX and RX+
4	3	TX and RX+
5	3	TX and RX-
6	2	TX and RX-
7	4	TX and RX+
8	4	TX and RX-

Appendix B

Regulatory Statements

This appendix contains the following regulatory statements:

- “Federal Communication Commission Interference Statement” on page 52
- “Europe - EU Declaration of Conformity” on page 54

Federal Communication Commission Interference Statement

This device complies with Part 15 of the FCC Rules. Operation is subject to the following two conditions: (1) This device may not cause harmful interference, and (2) this device must accept any interference received, including interference that may cause undesired operation.

This equipment has been tested and found to comply with the limits for a Class B digital device, pursuant to Part 15 of the FCC Rules. These limits are designed to provide reasonable protection against harmful interference in a residential installation. This equipment generates, uses and can radiate radio frequency energy and, if not installed and used in accordance with the instructions, may cause harmful interference to radio communications. However, there is no guarantee that interference will not occur in a particular installation. If this equipment does cause harmful interference to radio or television reception, which can be determined by turning the equipment off and on, the user is encouraged to try to correct the interference by one of the following measures:

- Reorient or relocate the receiving antenna.
- Increase the separation between the equipment and receiver.
- Connect the equipment into an outlet on a circuit different from that to which the receiver is connected.
- Consult the dealer or an experienced radio/TV technician for help.



Caution

FCC Caution: Any changes or modifications not expressly approved by the party responsible for compliance could void the user's authority to operate this equipment. Ⓜ E80



Caution

Avertissement de la FCC: Les changements ou modifications non expressément approuvés par la partie responsable de la conformité pourraient annuler l'autorité de l'utilisateur à utiliser cet équipement.
Ⓜ E80

This transmitter must not be co-located or operating in conjunction with any other antenna or transmitter. This device is restricted to indoor use only.

The band from 5600-5650MHz will be disabled by the software during the manufacturing and cannot be changed by the end user. This device meets all the other requirements specified in Part 15E, Section 15.407 of the FCC Rules.

Radiation Exposure Statement

This equipment complies with FCC radiation exposure limits set forth for an uncontrolled environment. This equipment should be installed and operated with minimum distance 20 cm between the radiator and your body.

Europe - EU Declaration of Conformity

Hereby, Allied Telesis declares that the radio equipment type [AT-TQ1402 and AT-TQm1402] is in compliance with Directive 2014/53/EU.

Operating Frequencies and Maximum Transmission Power Levels

The operating frequencies and maximum transmission power levels for wireless devices operated in the EU are listed below:

- 2412-2472 MHz:
19.78 dBm (Non-Beamforming)
- 5150-5250 MHz:
22.11 dBm (Beamforming), 22.04 dBm (Non-Beamforming)
- 5250-5350 MHz:
22.22 dBm (Beamforming), 22.17 dBm (Non-Beamforming)
- 5470-5725 MHz:
27.31 dBm (Beamforming), 25.29 dBm (Non-Beamforming)

Note

Operations in the 5.15 - 5.35 GHz band are restricted to indoor usage only.

Radiation Exposure Statement

This equipment complies with EU radiation exposure limits set forth for an uncontrolled environment. This equipment should be installed and operated with a minimum distance of 20 cm between the radiator and your body.



AT	BE	BG	CH	CY	CZ	DE	DK	EE
EL	ES	FI	FR	HR	HU	IE	IS	IT
LI	LT	LU	LV	MT	NL	NO	PL	PT
RO	SE	SI	SK	TR	UK			

Importer

Allied Telesis International BV

Incheonweg 7, 1437 EK Rozenburg

Note

Contact Allied Telesis for the EU conformity statement. To contact Allied Telesis, visit our web site at www.alliedtelesis.com/contact.
