



PREVENTS SOLUTIONS FROM TOPPLING WHEN HIT

BT8380-FBFK

SYSTEM X™

FLOOR FIXING KIT



The BT8380-FBFK is a floor fixing kit which clamps around the BT8380-BASE to provide added security to freestanding installs, preventing the install toppling should it be exposed to excessive force. The kit is made from 4mm thick steel to allow it to cope with securing larger scale installations, and can be placed anywhere along the flat sections of the base for extra stability. The bracket of the FBFK is placed over the base and easily bolted into the floor (fixings are not provided) and 2 brackets supplied per base used.

SPECIFICATION

Steel Thickness	4mm
Width	168mm
Height	114mm
Brackets supplied	2 per base
Colour	Black

FEATURES

- Provides added security to freestanding installs, preventing them from toppling should they be exposed to excessive force
- Clamps over the BT8380-BASE and is easily bolted into the floor (fixings are not provided)
- Can be placed anywhere along the flat section of the base for extra stability
- 4mm thick steel construction allows the kit to cope with securing larger scale installations
- For use with freestanding System X installs only
- High-end aesthetic quality
- 2 brackets supplied per base used

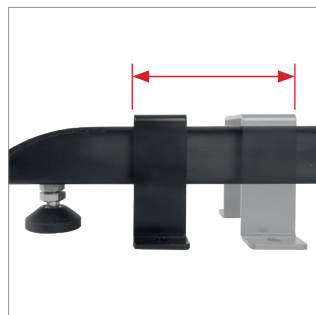
*Floor fixings are not provided with this product



SYSTEM X
 COMPONENT PART



Bracket bolts down into floors to provide extra stability and added security (fixings are not provided)



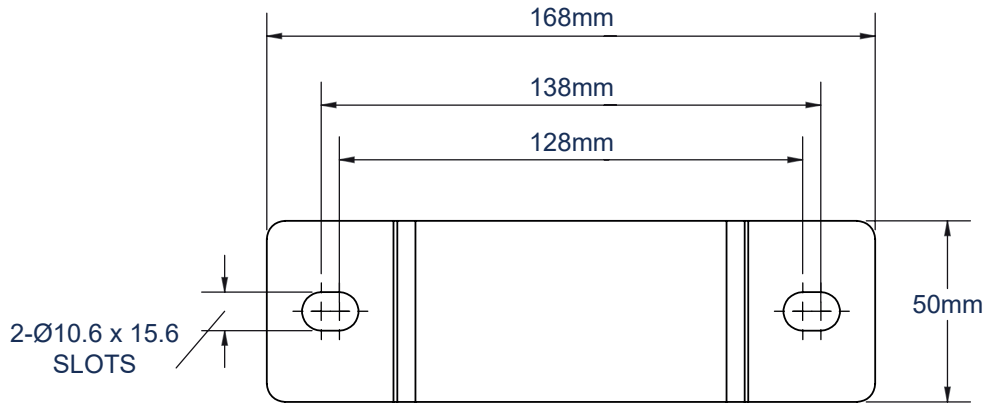
Can be positioned anywhere on the flat sections of the base



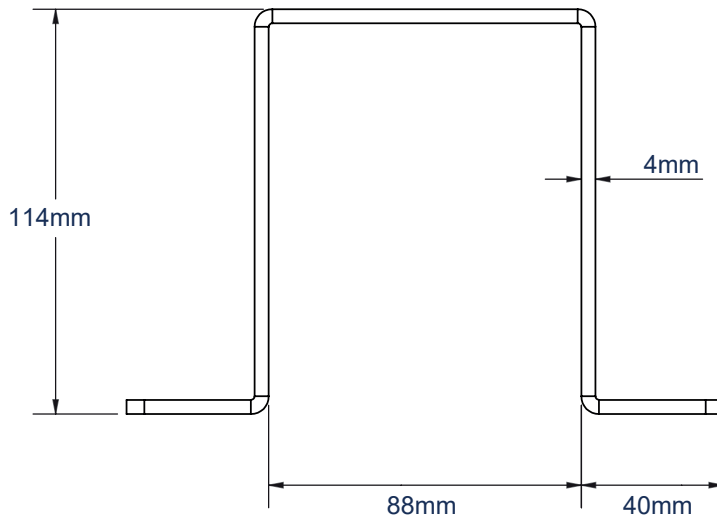
Clamps over BT8380-BASE to prevent large scale installs toppling from excessive force



Used with freestanding installs only



TOP VIEW



SIDE VIEW

PACKING INFORMATION

ORIGINAL DESIGNS BY B-TECH AV MOUNTS - REGISTERED DESIGNS & PATENTS APPLY

COLOUR:	ORDER REF:	EAN CODE:	MASTER CARTON QTY:	INNER CARTON QTY:	MASTER CARTON WEIGHT:	MASTER CARTON CUBE:
Black	BT8380-FBFK/B	5019318501067	8	8	21.5kg	0.56cbm

ACCESSORIES AND RELATED PRODUCTS

BT8380-BASE



Floor Base for System X Trolleys and Stands for freestanding or mobile solutions

BT8380-FFB



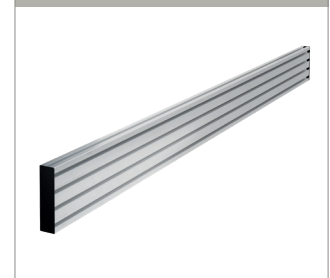
Fixed Floor Base for System X™ provides a close-to-the-wall, bolt down solution

BT8380-060/180/240



Vertical Support Column provides a platform for freestanding, mobile or bolt down solutions

BT8390-030/050/070/150/175/200



Mounting Rail fits to columns, walls or poles using System X components

© 2018 B-Tech Av Mounts. All rights reserved. This information is provided for informational purposes only. B-Tech Av Mounts and its logos are registered trademarks of B-Tech International Design & Manufacturing Ltd. We reserve the right to change the technical or physical specifications without notice. This is not intended to constitute a contract. B-Tech Av Mounts is not liable for loss or damage caused by improper or unauthorized use, installation, or repair. Any reproduction or transmission or replication of any part of this specification is strictly prohibited, unless prior written permission has been granted by B-Tech International Design & Manufacturing Ltd. (B-Tech).

SS-V1-BT8380-FBFK-180518