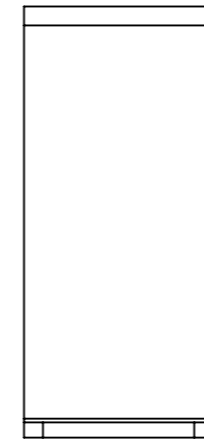
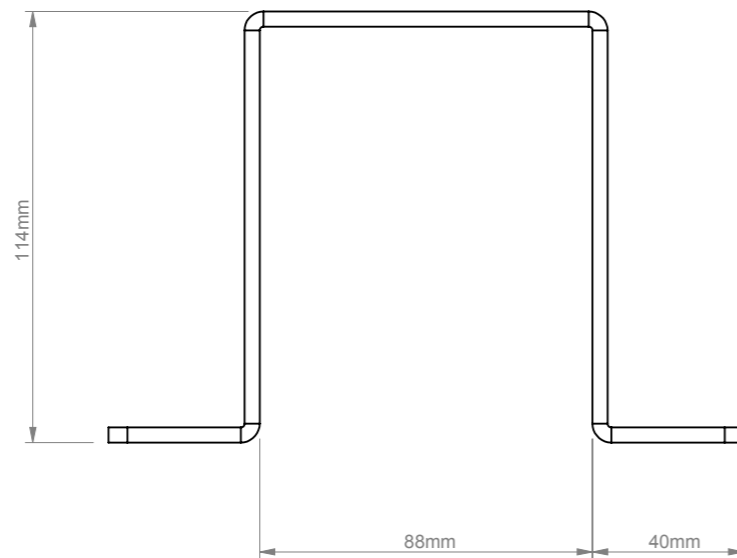
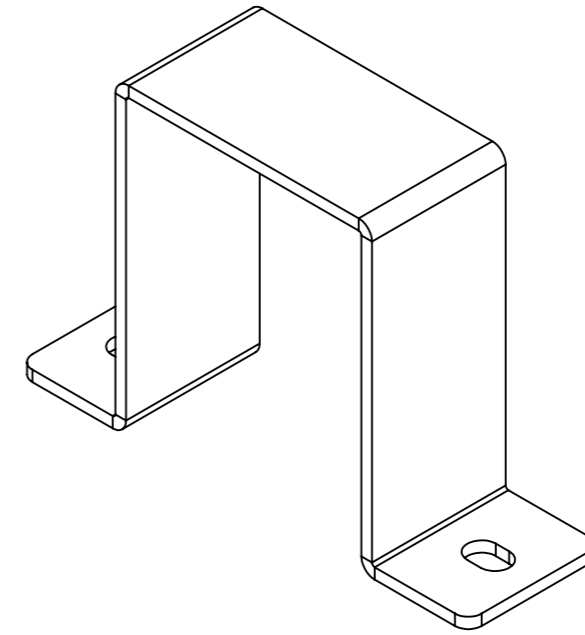
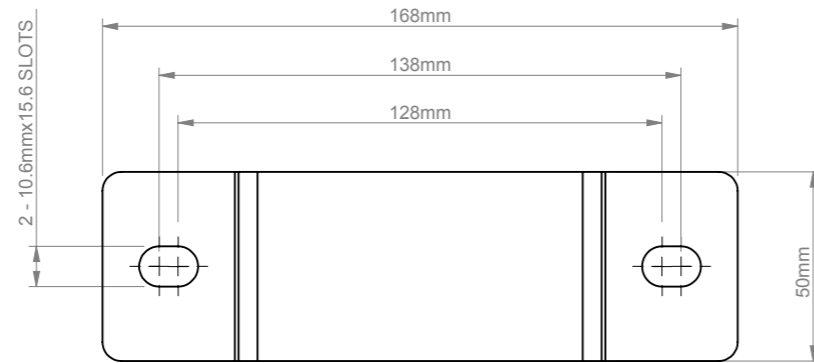



THE INFORMATION CONTAINED IN THIS DRAWING IS THE SOLE PROPERTY OF B-TECH INTERNATIONAL DESIGN AND MANUFACTURING LIMITED, ANY REPRODUCTION IN PART OR WHOLE WITHOUT THE WRITTEN PERMISSION OF B-TECH INTERNATIONAL DESIGN AND MANUFACTURING LIMITED IS PROHIBITED.



<b>B-Tech International Design and Manufacturing Limited</b>		<b>B-Tech No:</b> BT8380-FBFK
Part of the B-Tech International Group of Companies		<b>Version:</b> V1.0
 UNLESS OTHERWISE SPECIFIED DIMENSIONS ARE IN MILLIMETERS	<b>Size:</b> A3	<b>Title:</b> Base Fixing Bracket
	<b>Scale:</b> 1:2	<b>Revision:</b> 0.0
<b>Sheet:</b> 1 of 1	<b>Date:</b> 12/01/2015	<b>File Name:</b> BTD-BT8380-FBFK-R0.0