



ROTATE FROM LANDSCAPE TO PORTRAIT

# BT8566

## FLAT SCREEN TROLLEY WITH FLIP ROTATION FOR SAMSUNG FLIP®

As part of B-Tech's Designer Trolley range, the BT8566 is a high-end mounting solution ideal for the use of touchscreen displays such as the Samsung Flip. The mount's rotational interface allows the user to easily rotate the display 90° for a smooth transition from landscape to portrait. Available in a choice of black, silver and white, with contrasting dual colour accents and a triangular shaped column. Cable management keeps finished installations looking neat and tidy. Non-marking, braked castors make repositioning quick and easy without marking or scuffing floor surfaces and AV components such as shelves can be fitted directly to the column to accessorise the install.

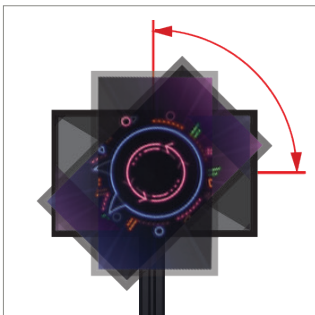
### SPECIFICATION

Recommended screen size	37" - 70"
Max load	70kg
VESA® fixings	up to 600 x 400
Trolley dimensions	H: 1932* W: 1075 D: 863mm
Rotation adjustment range	90°
Tilt	-4.5°
Colour options	Black, Black & Silver or White

\*Measured from the floor to the top of the vertical column (including end cap)

### FEATURES

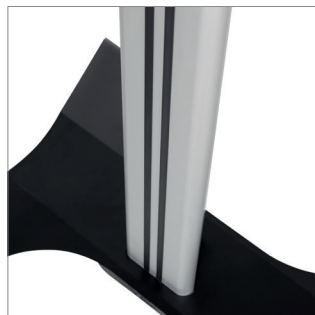
- Rotational interface allows screens to be rotated from landscape to portrait (and vice versa) in one smooth transition
- Rotation can be stopped or fixed at any angle between 0° and 90°
- 4.5° negative tilt provides an ergonomic, natural writing surface (ideal for Samsung Flip)
- Non-marking locking / braked castors
- Collar compatible accessories such as shelves (available separately) can be fitted directly to the column
- Integrated cable management for a smart installation
- Safety screws help prevent unauthorised removal of screen
- Dual colour options available for a modern, contemporary look
- Simple 'hook-on' screen installation with all mounting hardware included



Rotational Interface allows screens to be rotated from landscape to portrait in one smooth transition



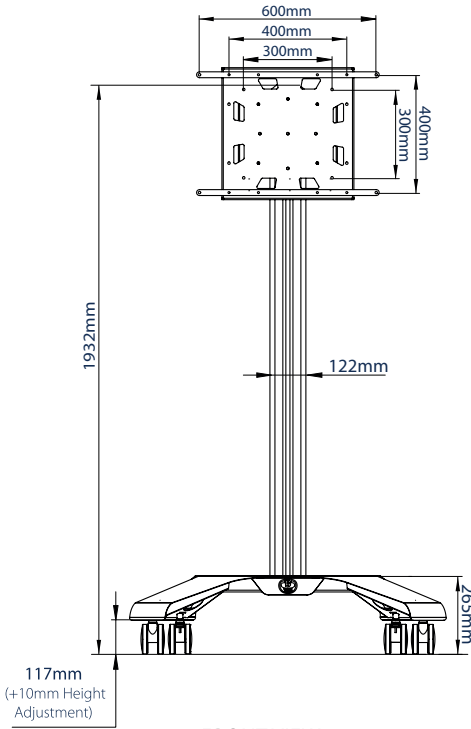
-4.5° negative tilt provides an ergonomic, natural writing surface (ideal for Samsung Flip)



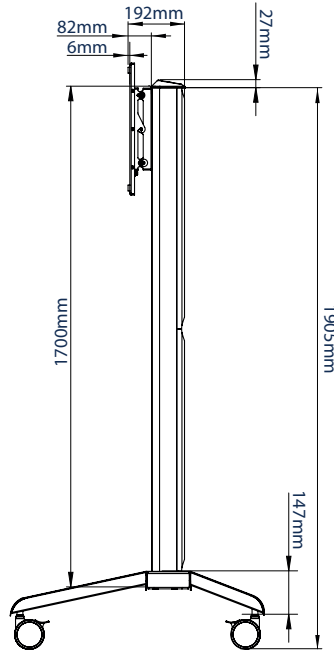
Dual colour options available for a modern, contemporary look



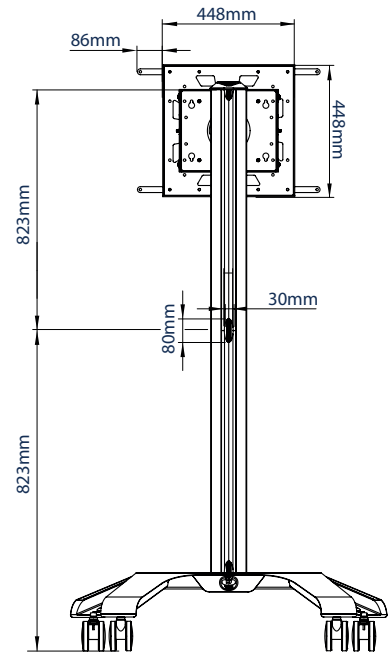
Non-marking locking / braked castors included



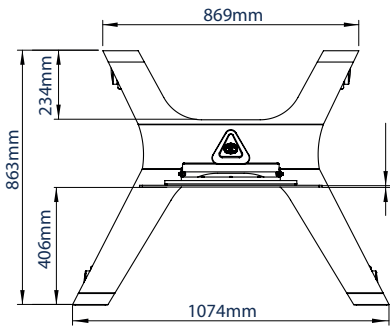
FRONT VIEW



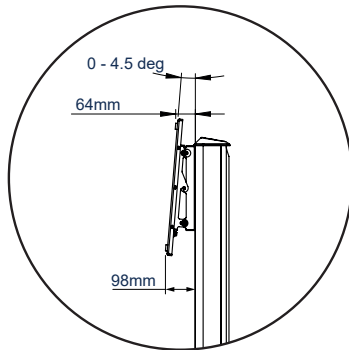
SIDE VIEW



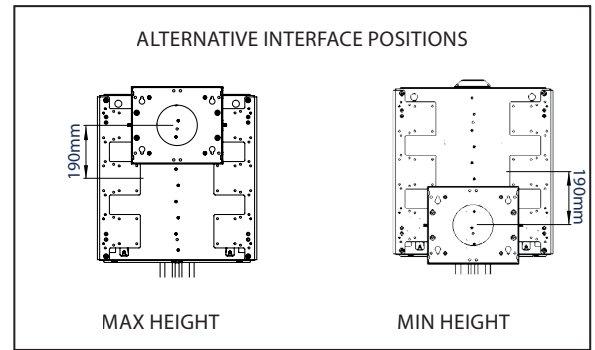
REAR VIEW



TOP VIEW



SIDE VIEW WITH MAX TILT



ALTERNATIVE INTERFACE POSITIONS

MAX HEIGHT

MIN HEIGHT

PACKING INFORMATION

PLEASE NOTE, THIS IS A 3 BOX ITEM

COLOUR:	ORDER REF:	EAN CODE:	MASTER CARTON WEIGHT:	MASTER CARTON CUBE:
Black	BT8566/BB	5019318301858	30kg / 8kg / 14kg	0.261cbm / 0.067cbm / 0.020cbm
Black & Silver	BT8566/BS	5019318301865	30kg / 8kg / 14kg	0.261cbm / 0.067cbm / 0.020cbm
White	BT8566/WW	5019318301841	30kg / 8kg / 14kg	0.261cbm / 0.067cbm / 0.020cbm

ACCESSORIES AND RELATED PRODUCTS



AV Accessory Shelves can be fitted directly to the vertical column



Universal Flat Screen Trolley with Adjustable Height



Universal Flat Screen Trolley with Adjustable Height



Flat Screen Trolley with Height Adjustment and Flip Rotation

© 2019 B-Tech Professional Design & Manufacturing Ltd. All rights reserved. The information in this specification sheet reflects the current technical specifications at the time of print. We accept no liability for loss or damage caused by improper or misuse of our products. Any reproduction or transmission or republishing of any part of this specification is expressly prohibited unless prior written permission has been granted by B-Tech Professional Design & Manufacturing Ltd. (BTECH)