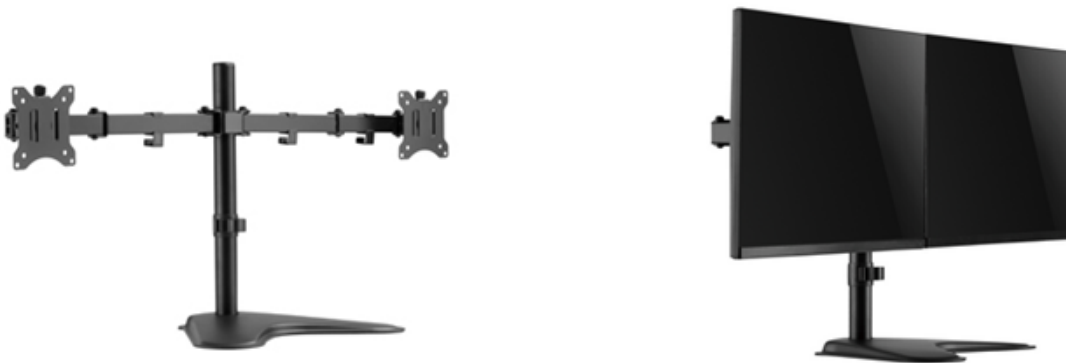


## 17" - 32" Economy Dual Monitor Tabletop Stand

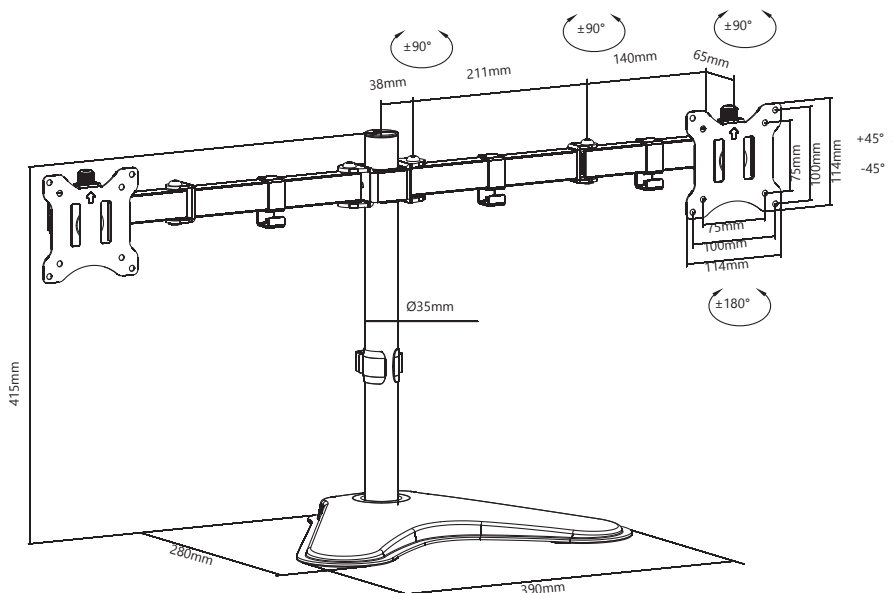
Model No: 650123



### I Overview

The equip® Monitor Desk Mount Bracket is a compact but sturdy product that ensures a reliable installation of your LCD/LED monitor. Follow the graphic guide included in the package, you can install your monitor on your own with ease.

### I Drawing



[www.equip-info.net](http://www.equip-info.net)

## I Key Features

- \*Screen Rotation: 360°
- \*Mountable on VESA standards compliant
- \*Built-in Cable management

## I Specification

Material	Steel
Surface Finished	Powder Coating
Color	Black
Dimension	893x280x415mm
Quick Release VESA Plate	Yes
Suggested Screen Size	17" - 32"
Support Curved TV	No
Load Capacity	8KG (Per screen)
VESA Mount Standard	75x75,100x100
Max. VESA	100 x 100mm
Mounting Hole Pattern	Universal
Distance to Wall	N/A
Screen Freely Tilting	Yes
Tilt Range	-45° ~ +45°
Screen Range	-90° ~ +90°
Screen Rotation	-180° ~ +180°
Arm Full Extension	390mm
Pole Height	415mm
Anti-Theft	No
Cable Management	Yes

## I Package Contents

- 1 x Wall Mount Bracket
- 1 x Screw Pack
- 1 x Quick Installation Guide