



NS-PLXPROTECT1

NEWSTAR TRANSPARENT SCREEN

The NS-PLXPROTECT1 is a transparent screen for 1 flat screen, offering distance protection within the workspace –
Transparent acrylic

| PLXPROTECT by Newstar is registered as EU-Design patent |



SPECIFICATIONS

Cable management	Yes
Color	Transparent
Depth	0.3 cm
Height	74 cm
Height adjustment	Manual
Max. screen size	32
Max. weight	0
Min. screen size	0
Min. weight	0
Screens	1
VESA maximum	100x100
VESA minimum	100x100
Warranty	5 year
Width	120 cm
EAN code	8717371448219

NewStar introduces a smart new solution for the new way of working; the NS-PLXPROTECT series. Society has changed since the Covid-19 pandemic and new measures are being taken to enable coworking as safely as possible in this 1.5/ 2-meter society.

The NS-PLXPROTECT products offer users additional protection from others, by increasing distance and creating a barrier in the workspace. The NS-PLXPROTECT1 (for 1 monitor) and the NS-PLXPROTECT2 (for 2 monitors) do not require fixing to the desk or ceiling – they can be easily attached to the existing desk mount, moving with the flat screen and the height-adjustable desk. The screen, unlike alternative solutions, does not take up extra space on the desk. In addition, the screen can be used as a memo board for your to do lists, using a whiteboard marker. The NS-PLXPROTECT products are very user-friendly, easy to install and easily cleaned.

The NS-PLXPROTECT1 is 120 cm wide x 74 cm high and suitable for flat screens up to 32" with a centred VESA-hole pattern of 100x100 mm. The screen is made of 100% transparent acrylic to ensure a spacious feeling and has rounded corners. The screen is equipped with 2 mounting points, so that it is adjustable in height relative to the monitor. Because the NS-PLXPROTECT1 is mounted between the flat screen and the desk mount, the screen moves with the monitor and sit-stand workstation when they are adjusted in height.

Dimensions: 1200x740x3 mm

Net weight: 3,16 kg

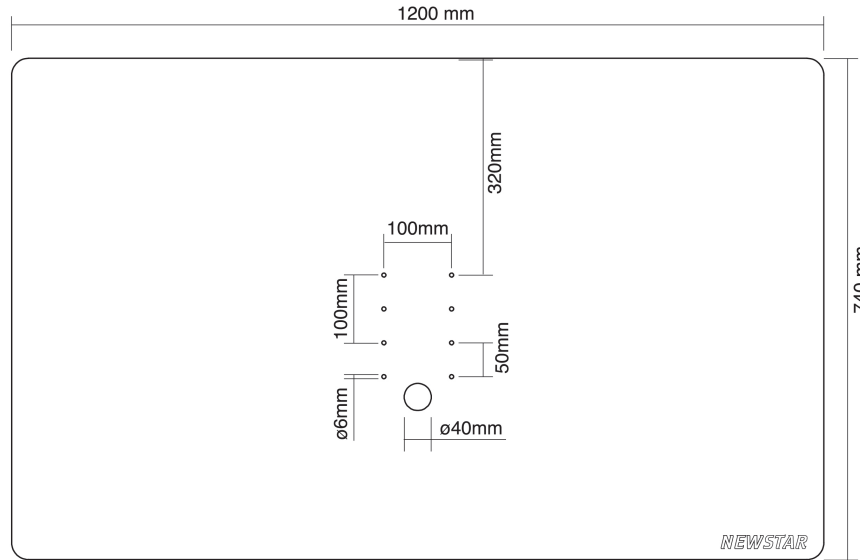
Note: Take into account the maximum load capacity of the desk mount in combination with the weight of the NS-PLXPROTECT1 and the flat screen.



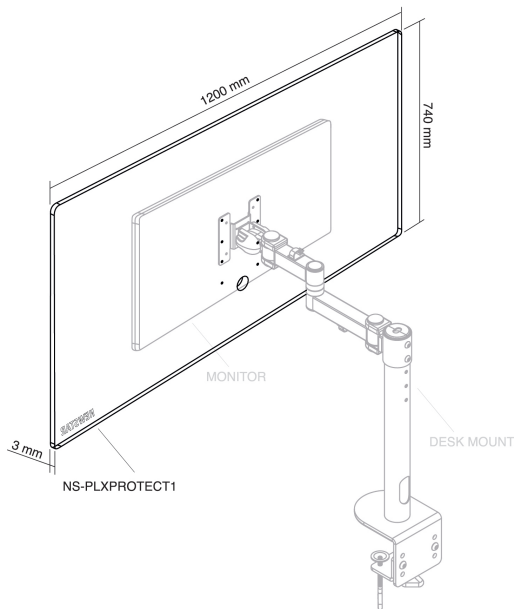
**THE BEST SUPPORT
FOR YOUR AV & IT HARDWARE**
T: + 31(0)23-5478888 | E: info@newstar.eu | W: www.newstar.eu

NS-PLXPROTECT1

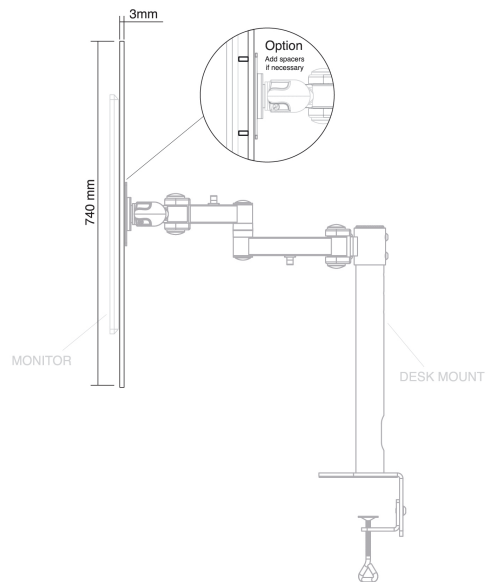
NEWSTAR TRANSPARENT SCREEN



NS-PLXPROTECT1



Side back view



Side view