

## Quick Start

Thank you for purchasing the MSI® **MAG B550M VECTOR WIFI/ MAG A520M VECTOR WIFI** motherboard. This Quick Start section provides demonstration diagrams about how to install your computer. Some of the installations also provide video demonstrations. Please link to the URL to watch it with the web browser on your phone or tablet. You may have even link to the URL by scanning the QR code.

## Kurzanleitung

Danke, dass Sie das MSI® **MAG B550M VECTOR WIFI/ MAG A520M VECTOR WIFI** Motherboard gewählt haben. Dieser Abschnitt der Kurzanleitung bietet eine Demo zur Installation Ihres Computers. Manche Installationen bieten auch die Videodemonstrationen. Klicken Sie auf die URL, um diese Videoanleitung mit Ihrem Browser auf Ihrem Handy oder Table anzusehen. Oder scannen Sie auch den QR Code mit Ihrem Handy, um die URL zu öffnen.

## Présentation rapide

Merci d'avoir choisi la carte mère MSI® **MAG B550M VECTOR WIFI/ MAG A520M VECTOR WIFI**. Ce manuel fournit une rapide présentation avec des illustrations explicatives qui vous aideront à assembler votre ordinateur. Des tutoriels vidéo sont disponibles pour certaines étapes. Cliquez sur le lien fourni pour regarder la vidéo sur votre téléphone ou votre tablette. Vous pouvez également accéder au lien en scannant le QR code qui lui est associé.

## Быстрый старт

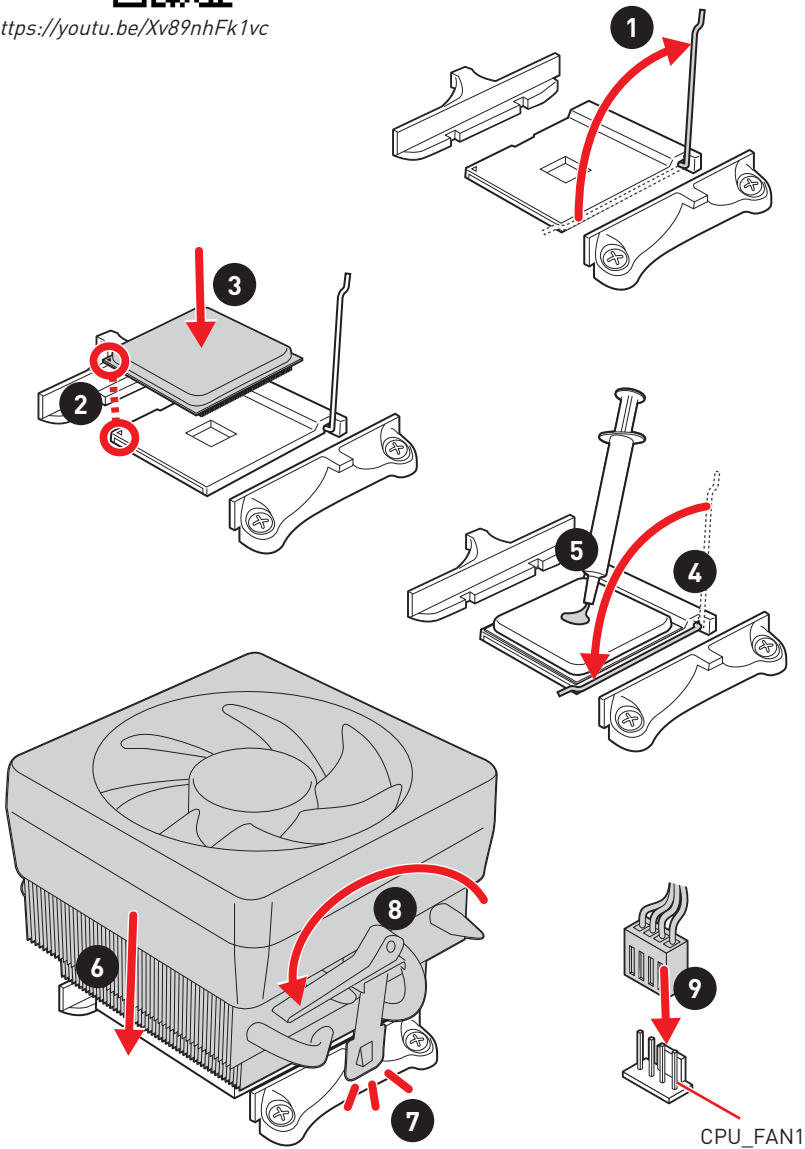
Благодарим вас за покупку материнской платы MSI® **MAG B550M VECTOR WIFI/ MAG A520M VECTOR WIFI**. В этом разделе представлена информация, которая поможет вам при сборке компьютера. Для некоторых этапов сборки имеются видеоруководства. Для просмотра видео, необходимо открыть соответствующую ссылку в веб-браузере на вашем телефоне или планшете. Вы также можете выполнить переход по ссылке, путем сканирования QR-кода.

# Installing a Processor/ Installation des Prozessors/ Installer un processeur/ Установка процессора

Youtube



<https://youtu.be/Xv89nhFk1vc>



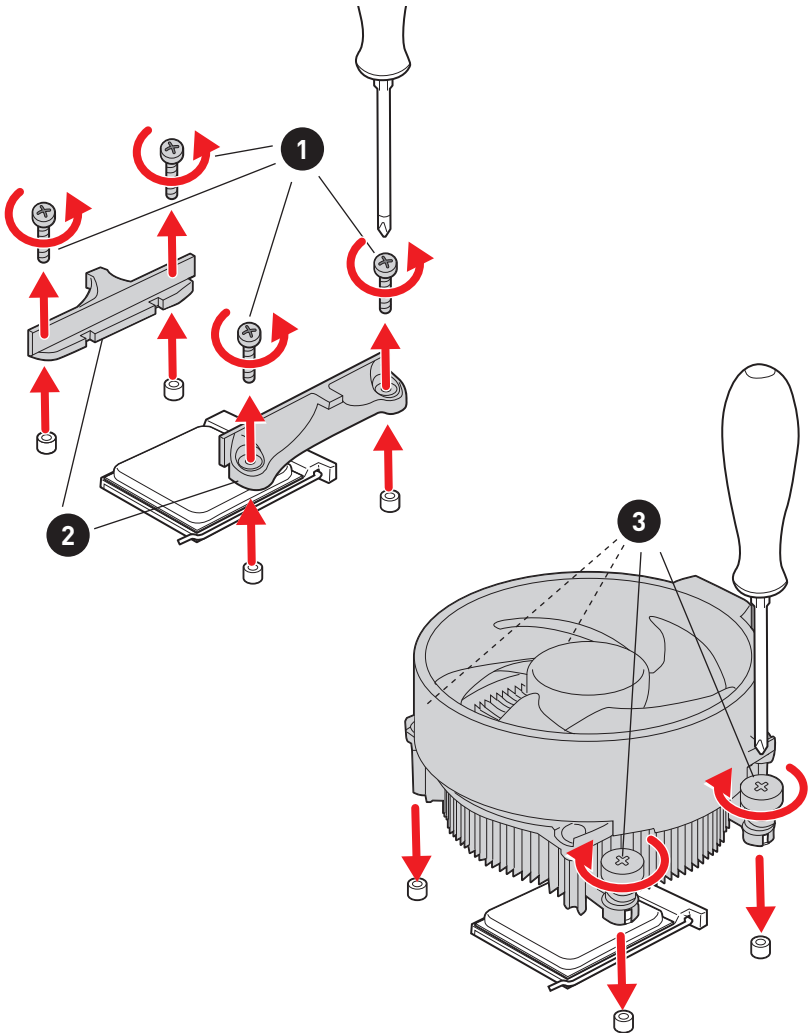
**! Important**

If you are installing the screw-type CPU heatsink, please follow the figure below to remove the retention module first and then install the heatsink.

Wenn Sie einen CPU-Kühler mit Schraubenbefestigung einsetzen, folgen Sie bitte den Anweisungen unten um das Retention-Modul zu entfernen und den Kühler zu installieren.

Si vous voulez installer un ventilateur pour processeur à vis, veuillez suivre les instructions ci-dessous pour d'abord retirer le module de rétention puis installer le ventilateur.

В случае установки процессорного кулера с системой крепления на винтах, следуйте указаниям на рисунке ниже для снятия пластикового модуля крепления. Затем установите кулер.

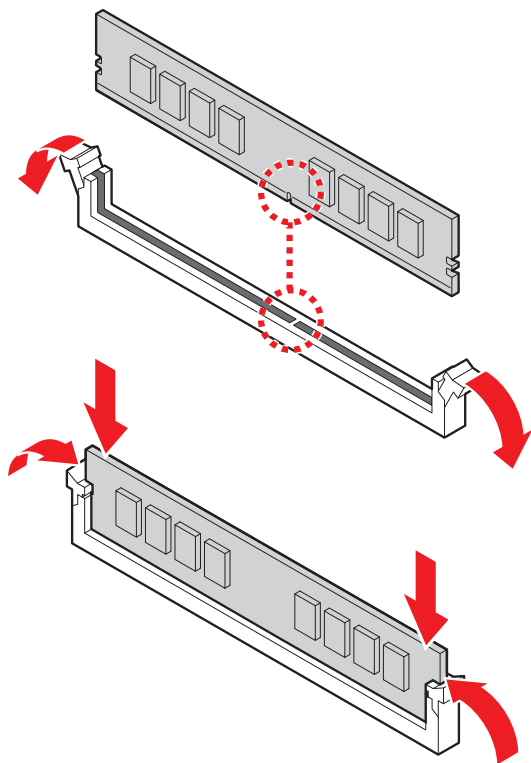


# Installing DDR4 memory/ Installation des DDR4-Speichers/ Installer une mémoire DDR4/ Установка памяти DDR4

Youtube



<http://youtu.be/T03aDrJPyQs>

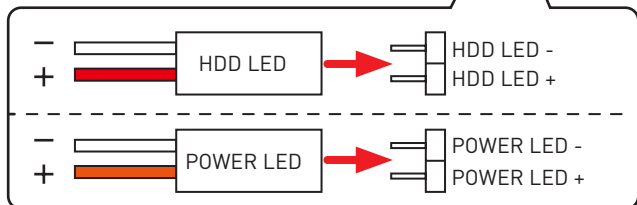
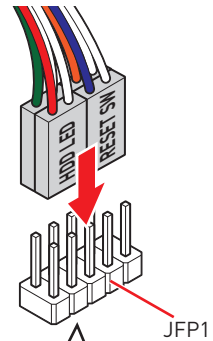
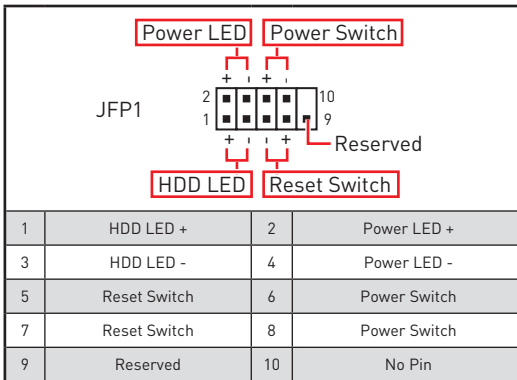
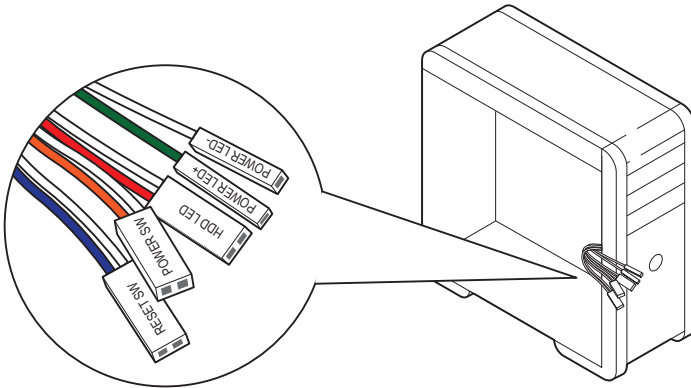


# Connecting the Front Panel Header/ Anschließen der Frontpanel-Stiftleiste/ Connecter un connecteur du panneau avant/ Подключение разъемов передней панели

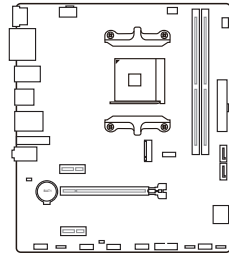
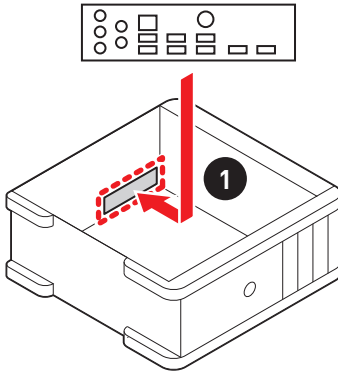
Youtube



<http://youtu.be/DPELIdvNZUI>



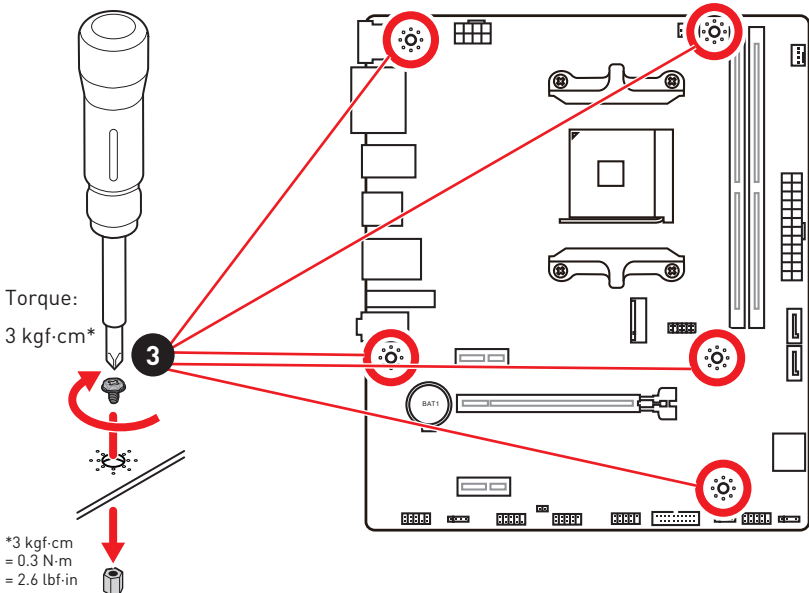
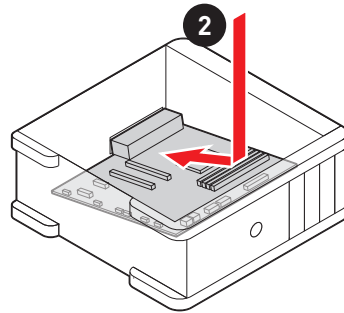
# Installing the Motherboard/ Installation des Motherboards/ Installer la carte mère/ Установка материнской платы



Youtube



<https://youtu.be/wWI6Qt51Wnc>

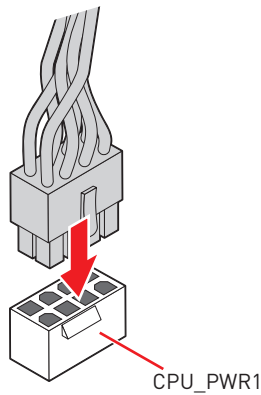
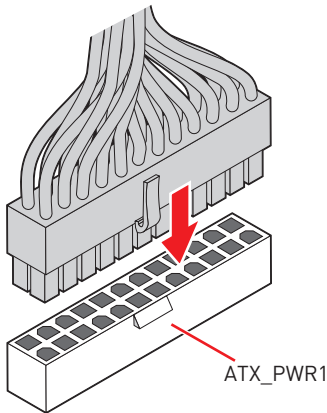
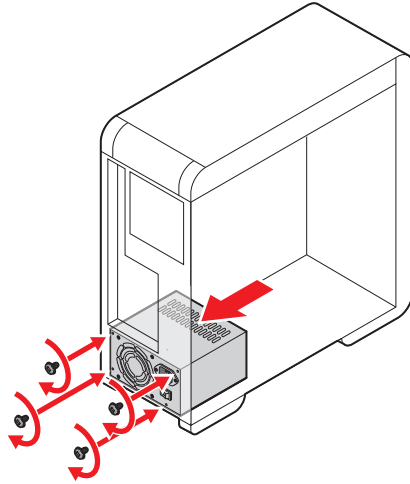


# Connecting the Power Connectors/ Stromanschlüsse anschiessen/ Connecter les câbles du module d'alimentation/ Подключение разъемов питания

Youtube



[http://youtu.be/gkDYyR\\_8314](http://youtu.be/gkDYyR_8314)

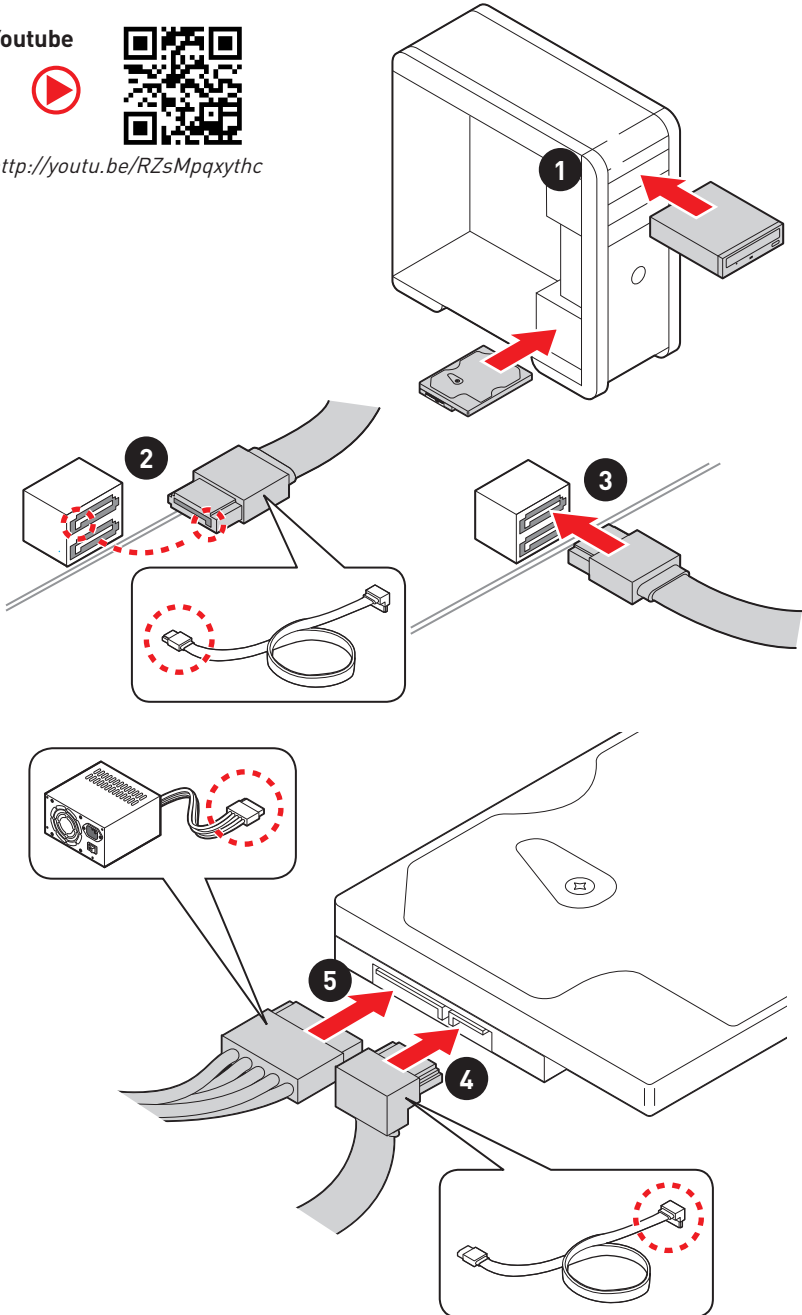


# Installing SATA Drives/ Installation der SATA-Laufwerke/ Installer le disque dur SATA/ Установка дисков SATA

Youtube



<http://youtu.be/RZsMpqxythc>



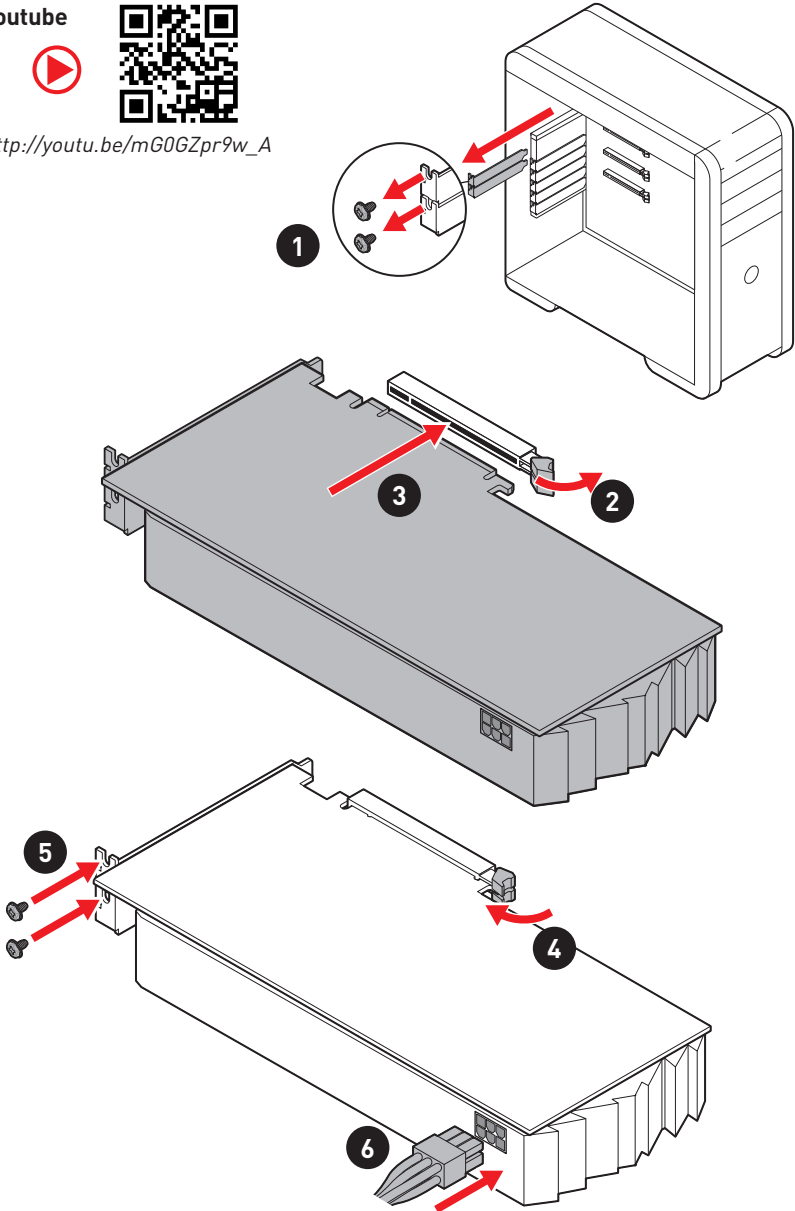


# Installing a Graphics Card/ Einbau der Grafikkarte/ Installer une carte graphique/ Установка дискретной видеокарты

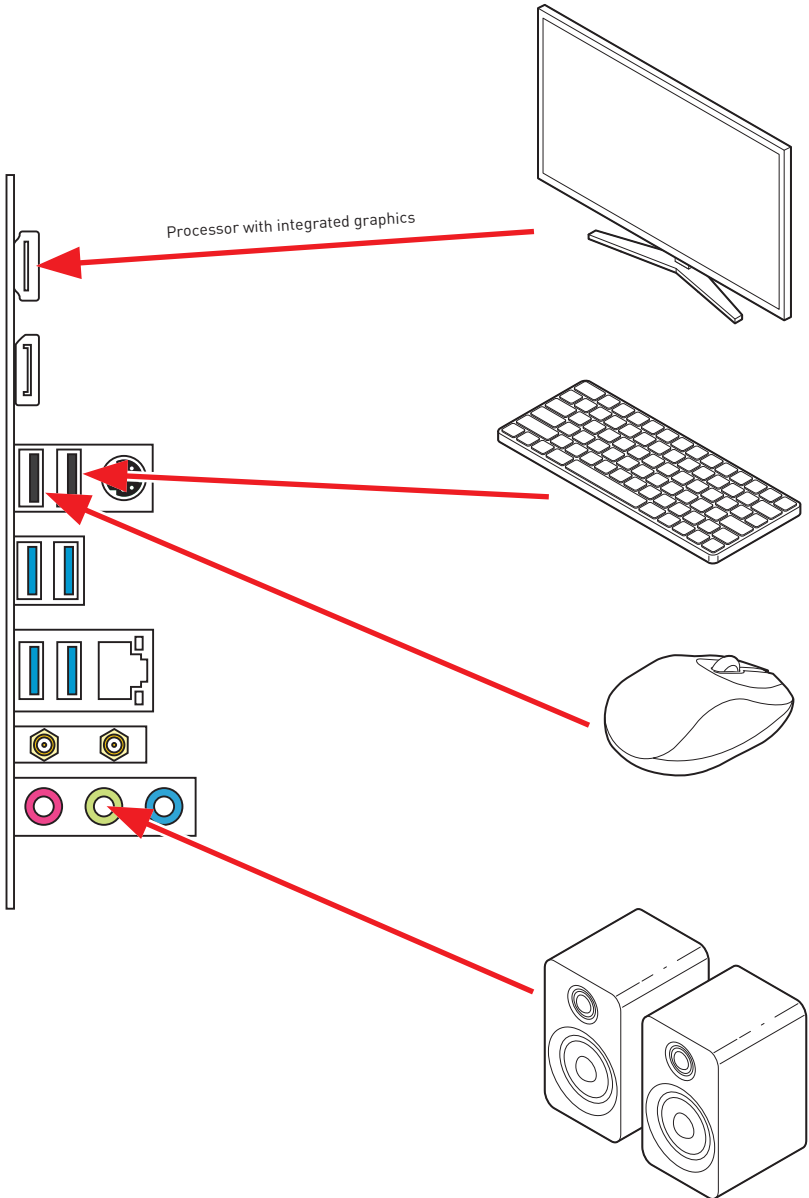
Youtube



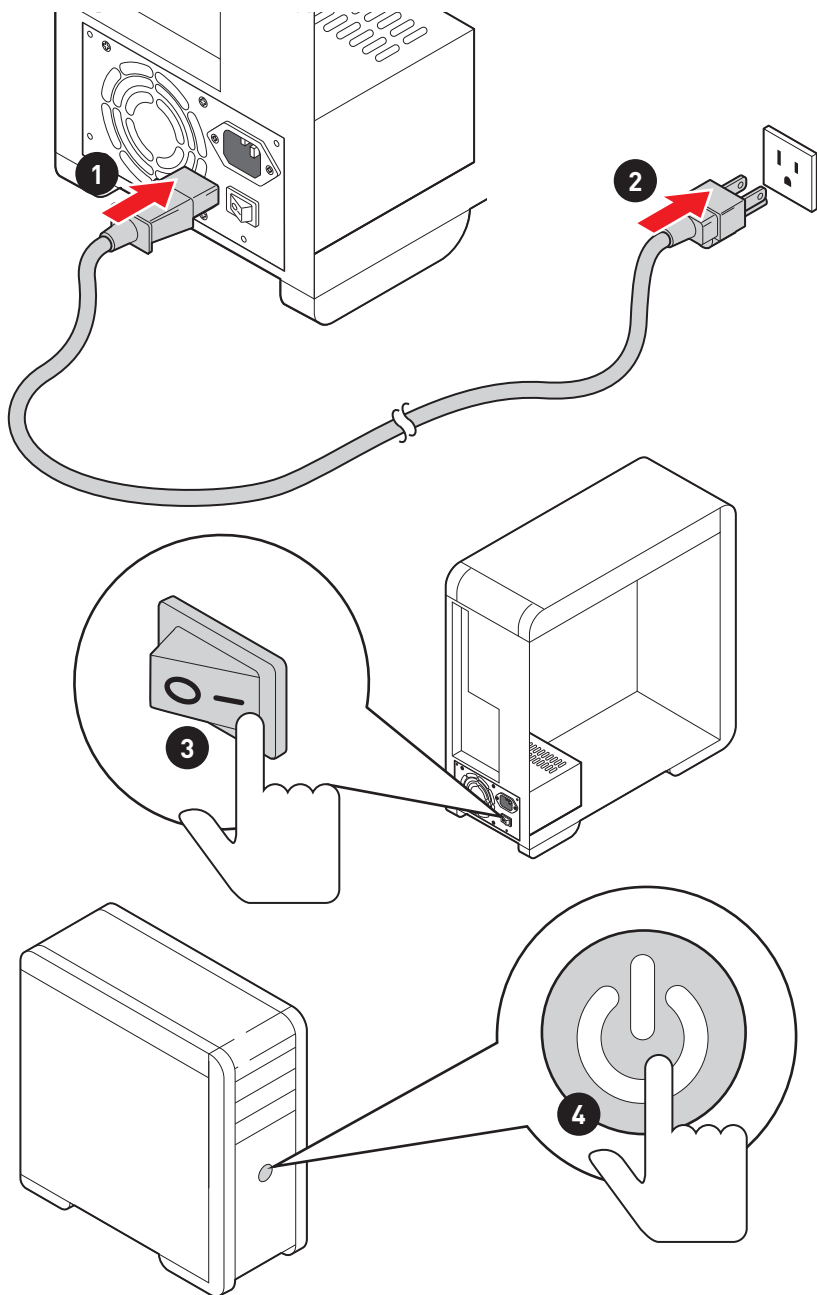
[http://youtu.be/mG0GZpr9w\\_A](http://youtu.be/mG0GZpr9w_A)



**Connecting Peripheral Devices/ Peripheriegeräte/ Connecter un périphérique anschliessen/ Подключение периферийных устройств**



**Power On/ Einschalten/ Mettre sous-tension/ Включение  
питания**





# Contents

<b>Safety Information</b> .....	<b>2</b>
<b>Specifications</b> .....	<b>3</b>
<b>Package contents</b> .....	<b>8</b>
<b>Rear I/O Panel</b> .....	<b>9</b>
LAN Port LED Status Table .....	9
Realtek Audio Console .....	9
<b>Overview of Components</b> .....	<b>12</b>
Processor Socket .....	13
DIMM Slots.....	14
PCI_E1~3: PCIe Expansion Slots.....	15
SATA1~4: SATA 6Gb/s Connectors.....	15
M2_1: M.2 Slot (Key M).....	16
JFP1, JFP2: Front Panel Connectors.....	18
JAUD1: Front Audio Connector .....	18
CPU_PWR1, ATX_PWR1: Power Connectors.....	19
JUSB3: USB 3.2 Gen 1 5Gbps Connector .....	20
JUSB1~2: USB 2.0 Connectors.....	20
CPU_FAN1, SYS_FAN1: Fan Connectors.....	21
JTPM1: TPM Module Connector.....	22
JCOM1: Serial Port Connector .....	22
JCI1: Chassis Intrusion Connector.....	23
JBAT1: Clear CMOS (Reset BIOS) Jumper.....	24
EZ Debug LED.....	24
JRGB1: RGB LED connectors .....	25
JRAINBOW1: Addressable RGB LED connectors .....	26
<b>Installing OS, Drivers &amp; Utilities</b> .....	<b>27</b>
Installing Windows® 10.....	27
Installing Drivers .....	27
Installing Utilities .....	27
<b>UEFI BIOS</b> .....	<b>28</b>
BIOS Setup.....	29
Entering BIOS Setup .....	29
Resetting BIOS.....	30
Updating BIOS.....	30
EZ Mode .....	32
Advanced Mode .....	35
OC Menu.....	36

# Safety Information

- The components included in this package are prone to damage from electrostatic discharge (ESD). Please adhere to the following instructions to ensure successful computer assembly.
- Ensure that all components are securely connected. Loose connections may cause the computer to not recognize a component or fail to start.
- Hold the motherboard by the edges to avoid touching sensitive components.
- It is recommended to wear an electrostatic discharge (ESD) wrist strap when handling the motherboard to prevent electrostatic damage. If an ESD wrist strap is not available, discharge yourself of static electricity by touching another metal object before handling the motherboard.
- Store the motherboard in an electrostatic shielding container or on an anti-static pad whenever the motherboard is not installed.
- Before turning on the computer, ensure that there are no loose screws or metal components on the motherboard or anywhere within the computer case.
- Do not boot the computer before installation is completed. This could cause permanent damage to the components as well as injury to the user.
- If you need help during any installation step, please consult a certified computer technician.
- Always turn off the power supply and unplug the power cord from the power outlet before installing or removing any computer component.
- Keep this user guide for future reference.
- Keep this motherboard away from humidity.
- Make sure that your electrical outlet provides the same voltage as is indicated on the PSU, before connecting the PSU to the electrical outlet.
- Place the power cord such a way that people can not step on it. Do not place anything over the power cord.
- All cautions and warnings on the motherboard should be noted.
- If any of the following situations arises, get the motherboard checked by service personnel:
  - Liquid has penetrated into the computer.
  - The motherboard has been exposed to moisture.
  - The motherboard does not work well or you can not get it work according to user guide.
  - The motherboard has been dropped and damaged.
  - The motherboard has obvious sign of breakage.
- Do not leave this motherboard in an environment above 60°C (140°F), it may damage the motherboard.

# Specifications

<b>CPU</b>	Support 3rd Gen AMD Ryzen™ Desktop Processors and AMD Ryzen™4000 G-Series Desktop Processors
<b>Chipset</b>	<ul style="list-style-type: none"> <li>• AMD B550 Chipset (MAG B550M VECTOR WIFI)</li> <li>• AMD A520 Chipset (MAG A520M VECTOR WIFI)</li> </ul>
<b>Memory</b>	<ul style="list-style-type: none"> <li>• 2x DDR4 memory slots, support up to 64GB* <ul style="list-style-type: none"> <li>▪ Supports DDR4 1866/ 2133/ 2400/ 2667/ 2800/ 2933/ 3000/ 3066/ 3200 MHz by JEDEC</li> <li>▪ Supports DDR4 2667/ 2800 /2933 /3000 /3066 /3200 /3466 /3600/ 3733 /3866 /4000 /4133 /4266 /4400/ 4600+ MHz by A-XMP OC MODE <ul style="list-style-type: none"> <li>▫ 1DPC 1R max speed 4600 MHz</li> <li>▫ 1DPC 2R max speed 3866 MHz</li> </ul> </li> </ul> </li> <li>• Dual channel memory architecture</li> <li>• Supports non-ECC UDIMM memory</li> <li>• Supports ECC UDIMM memory (non-ECC mode)</li> <li>• Supports un-buffered memory</li> </ul> <p>* Please refer to <a href="http://www.msi.com">www.msi.com</a> for more information on compatible memory.</p>
<b>Expansion Slot</b>	<ul style="list-style-type: none"> <li>• 1x PCIe x16 slot [PCI_E2] <ul style="list-style-type: none"> <li>▪ MAG B550M VECTOR WIFI supports PCIe 4.0/3.0*</li> <li>▪ MAG A520M VECTOR WIFI supports PCIe 3.0</li> </ul> </li> <li>• 2x PCIe 3.0 x1 slots</li> </ul> <p>* PCIe specifications may vary depending on the CPU installed.</p>
<b>Onboard Graphics</b>	<ul style="list-style-type: none"> <li>• 1x HDMI 2.1 port, supports a maximum resolution of 4096x2160 @60Hz**/**</li> <li>• 1x DisplayPort 1.2 port, supports a maximum resolution of 4096x2160 @60Hz**</li> <li>• Maximum shared memory of 16 GB</li> </ul> <p>* Graphics specifications may vary depending on the CPU installed.  ** Available for the processor with integrated graphics.</p>

Continued on next page

Continued from previous page

<b>Storage</b>	<p>AMD B550/ A520 Chipset</p> <ul style="list-style-type: none"><li>• 4x SATA 6Gb/s ports</li><li>• 1x M.2 slot (Key M) (from AMD Processor)<ul style="list-style-type: none"><li>▪ MAG B550M VECTOR WIFI supports PCIe 4.0/ 3.0 x4*</li><li>▪ MAG A520M VECTOR WIFI supports PCIe 3.0 x4</li><li>▪ Supports SATA 6Gb/s</li><li>▪ Supports 2242/ 2260/ 2280 storage devices</li></ul></li></ul> <p>* PCIe specifications may vary depending on the CPU installed.</p>
<b>RAID</b>	Supports RAID 0, RAID 1 and RAID 10 for SATA storage devices
<b>USB</b>	<p>AMD B550/ A520 Chipset</p> <ul style="list-style-type: none"><li>• 2x USB 3.2 Gen 1 5Gbps ports (2 ports are available through the internal USB 3.2 Gen 1 5Gbps connector)</li><li>• 6x USB 2.0 ports (2 Type-A ports on the back panel, 4 ports through the internal USB 2.0 connectors)</li></ul> <p>AMD Processor</p> <ul style="list-style-type: none"><li>• 4x USB 3.2 Gen 1 5Gbps Type-A ports on the back panel</li></ul>
<b>Audio</b>	<p>Realtek® ALC892 Codec</p> <ul style="list-style-type: none"><li>• 7.1-Channel High Definition Audio</li></ul>
<b>LAN</b>	1x Realtek® RTL8111H LAN controller
<b>Wireless LAN &amp; Bluetooth®</b>	<p>Intel® Dual Band Wireless-AC 3168</p> <ul style="list-style-type: none"><li>• Supports Wi-Fi 802.11 a/b/g/n/ac, dual band (2.4GHz, 5GHz) up to 433 Mbps speed</li><li>• Supports Dual Mode Bluetooth 2.1,2.1+EDR,3.0,4.0,BLE,4.2</li></ul>

Continued on next page



Continued from previous page

<b>Internal Connectors</b>	<ul style="list-style-type: none"><li>• 1x 24-pin ATX main power connector</li><li>• 1x 8-pin ATX 12V power connector</li><li>• 4x SATA 6Gb/s connectors</li><li>• 1x Serial port connector</li><li>• 1x M.2 slot (M-Key)</li><li>• 1x USB 3.2 Gen 1 5Gbps connector (supports additional 2 USB 3.2 Gen 1 5Gbps ports)</li><li>• 2x USB 2.0 connectors (supports additional 4 USB 2.0 ports)</li><li>• 1x 4-pin CPU fan connector</li><li>• 1x 4-pin system fan connector</li><li>• 1x Front panel audio connector</li><li>• 2x System panel connectors</li><li>• 1x Chassis Intrusion connector</li><li>• 1x 4-pin RGB LED connector</li><li>• 1x 3-pin RAINBOW LED connector</li><li>• 1x TPM module connector</li><li>• 1x Clear CMOS jumper</li></ul>
<b>LED Features</b>	<ul style="list-style-type: none"><li>• 4x EZ Debug LED</li></ul>
<b>Back Panel Connectors</b>	<ul style="list-style-type: none"><li>• 1x PS/2 keyboard/ mouse combo port</li><li>• 2x USB 2.0 Type-A ports</li><li>• 1x DisplayPort port</li><li>• 1x HDMI port</li><li>• 1x LAN (RJ45) port</li><li>• 4x USB 3.2 Gen 1 5Gbps Type-A ports</li><li>• 2x Wi-Fi Antenna connectors</li><li>• 3x audio jacks</li></ul>
<b>I/O Controller</b>	NUVOTON NCT6687-R Controller Chip
<b>Hardware Monitor</b>	<ul style="list-style-type: none"><li>• CPU/ System/ Chipset temperature detection</li><li>• CPU/ System/ Pump fan speed detection</li><li>• CPU/ System/ Pump fan speed control</li></ul>

Continued on next page

Continued from previous page

<b>Form Factor</b>	<ul style="list-style-type: none"><li>• M-ATX Form Factor</li><li>• 9.6 in. x 8.3 in. (24.4 cm x 21 cm)</li></ul>
<b>BIOS Features</b>	<ul style="list-style-type: none"><li>• 1x 256 Mb flash</li><li>• UEFI AMI BIOS</li><li>• ACPI 6.0, SMBIOS 2.8</li><li>• Multi-language</li></ul>
<b>Software</b>	<ul style="list-style-type: none"><li>• Drivers</li><li>• DRAGON CENTER</li><li>• CPU-Z MSI GAMING</li><li>• Google Chrome™, Google Toolbar, Google Drive</li><li>• Norton™ Internet Security Solution</li></ul>
<b>Dragon Center Features</b>	<ul style="list-style-type: none"><li>• Gaming Mode</li><li>• Gaming Hotkey</li><li>• Mystic Light</li><li>• Ambient Link</li><li>• User Scenario</li><li>• Hardware Monitor</li><li>• True Color</li><li>• Live Update</li><li>• Speed Up</li><li>• Smart Tool</li><li>• Super Charger</li></ul> <div data-bbox="657 778 785 906"></div> <p data-bbox="657 911 916 967">Please refer to <a href="http://download.msi.com/manual/mb/DRAGONCENTER2.pdf">http://download.msi.com/manual/mb/DRAGONCENTER2.pdf</a> for more details.</p>

Continued on next page

Continued from previous page

## Special Features

- Audio
  - Audio Boost
- Network
  - Intel WiFi
- Cooling
  - M.2 Shield Frozr
  - Smart Fan Control
- LED
  - Mystic Light Extension (RAINBOW/RGB)
  - Mystic Light SYNC
  - EZ DEBUG LED
- Performance
  - DDR4 Boost
  - Core Boost
  - GAME Boost (Only for MAG B550M VECTOR WIFI)
  - Lightning Gen4 PCI-E slot (Only for MAG B550M VECTOR WIFI)
  - Lightning Gen4 M.2 (Only for MAG B550M VECTOR WIFI)
- Protection
  - PCI-E Steel Armor (Only for MAG B550M VECTOR WIFI)
- Experience
  - Dragon Center
  - Click BIOS 5

# Package contents

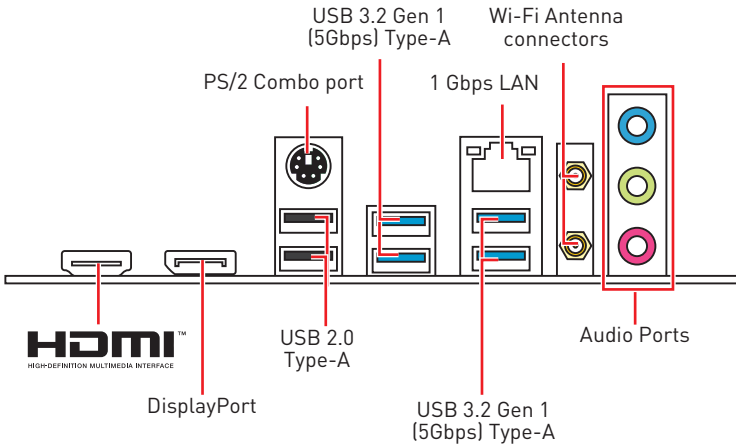
Please check the contents of your motherboard package. It should contain:

Motherboard	MAG B550M VECTOR WIFI/ MAG A520M VECTOR WIFI	
Cable	SATA 6G cables (2 cables/pack)	1
Accessories	M.2 screws (3 pcs./pack)	1
	Product registration card	1
	Wi-Fi antenna	1
	IO Shielding	1
	Case Badge	1
Application	Driver DVD	1
Documentation	User manual	1
	Quick installation guide	1
	MSI components compatibility & reward program card (Only for MAG B550M VECTOR WIFI)	1

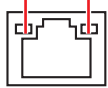


*If any of the above items are damaged or missing, please contact your retailer.*

# Rear I/O Panel

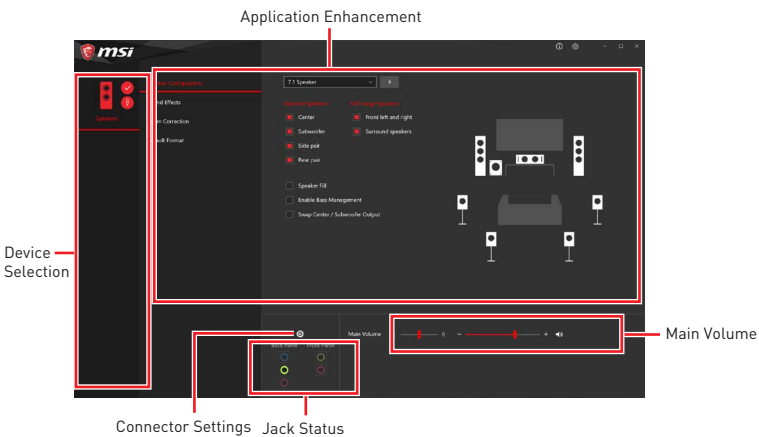


## LAN Port LED Status Table

Link/ Activity LED			Speed LED	
Status	Description		Status	1 Gbps LAN
Off	No link		Off	10 Mbps
Yellow	Linked		Green	100/ 1000 Mbps
Blinking	Data activity		Orange	1 Gbps

## Realtek Audio Console

After Realtek Audio Console is installed. You can use it to change sound settings to get better sound experience.

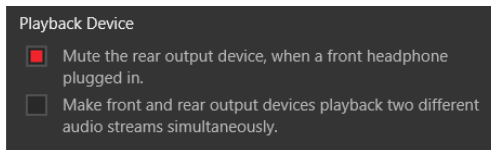


- **Device Selection** - allows you to select a audio output source to change the related options. The **check** sign indicates the devices as default.
- **Application Enhancement** - the array of options will provide you a complete guidance of anticipated sound effect for both output and input device.
- **Main Volume** - controls the volume or balance the right/left side of the speakers that you plugged in front or rear panel by adjust the bar.
- **Jack Status** - depicts all render and capture devices currently connected with your computer.
- **Connector Settings** - configures the connection settings.

## Audio 7.1-channel Configuration

To configure 7.1-channel audio, you have to connect front audio I/O module to JAUD1 connector and follow the below steps.

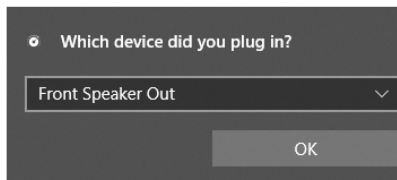
1. Click on the Realtek Audio Console > Advanced Settings to open the dialog below.



2. Select Mute the rear output device, when a front headphone plugged in.
3. Plug your speakers to audio jacks on rear and front I/O panel. When you plug into a device at an audio jack, a dialogue window will pop up asking you which device is current connected.

## Auto popup dialog

When you plug into a device at an audio jack, a dialogue window will pop up asking you which device is current connected.

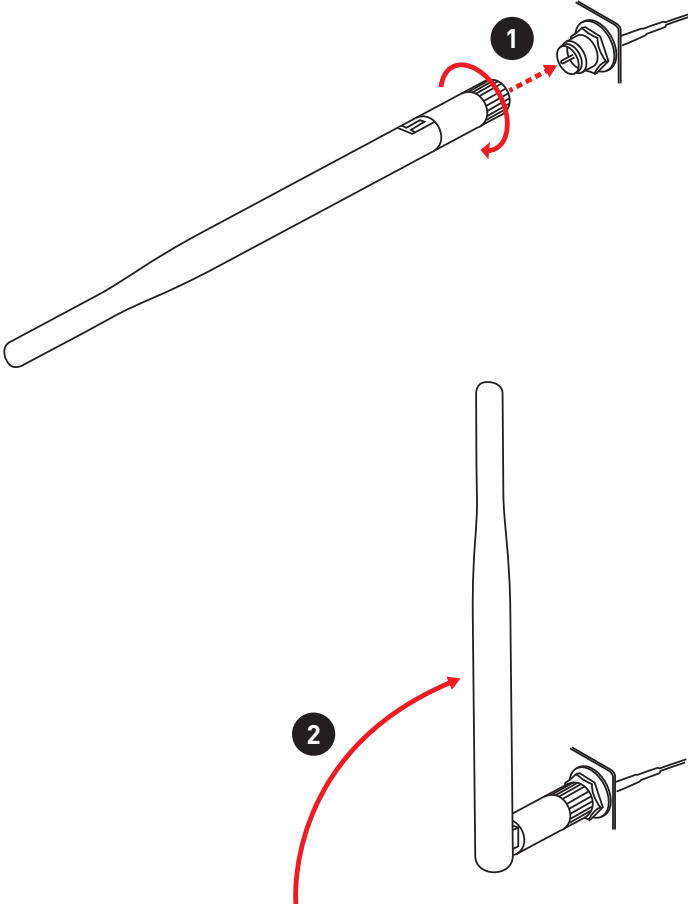


## Important

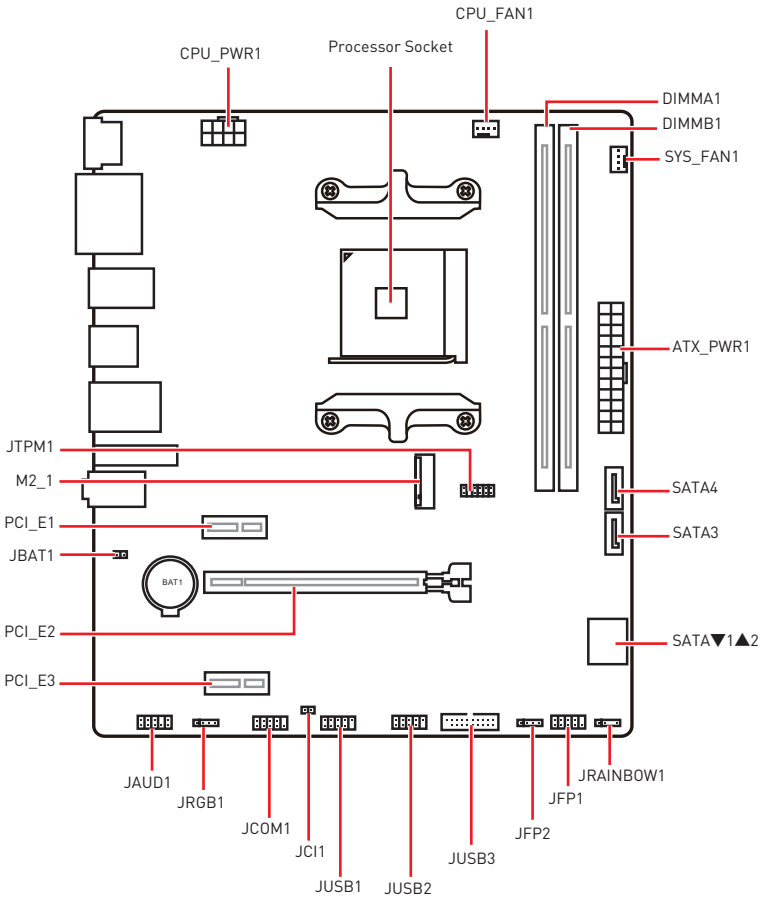
*The pictures above for reference only and may vary from the product you purchased.*

## Installing antennas

1. Screw the antennas tight to the antenna connectors as shown below.
2. Orient the antennas.

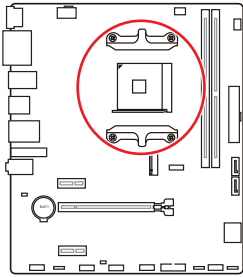


# Overview of Components

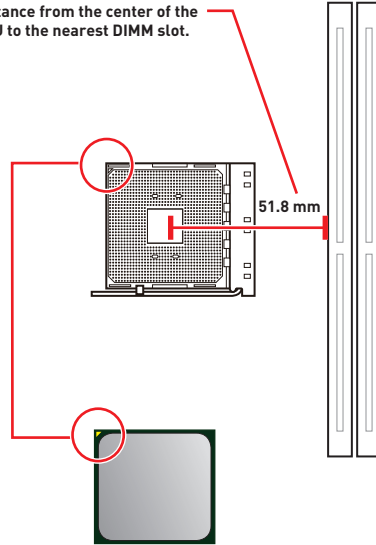




# Processor Socket



Distance from the center of the CPU to the nearest DIMM slot.



## Introduction to the AM4 CPU

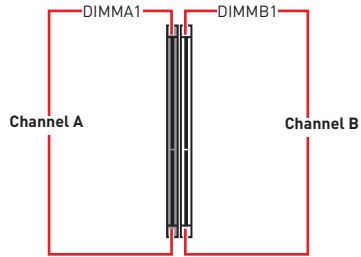
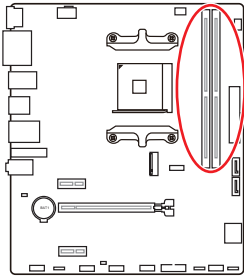
The surface of the AM4 CPU has a yellow triangle to assist in correctly lining up the CPU for motherboard placement. The yellow triangle is the Pin 1 indicator.



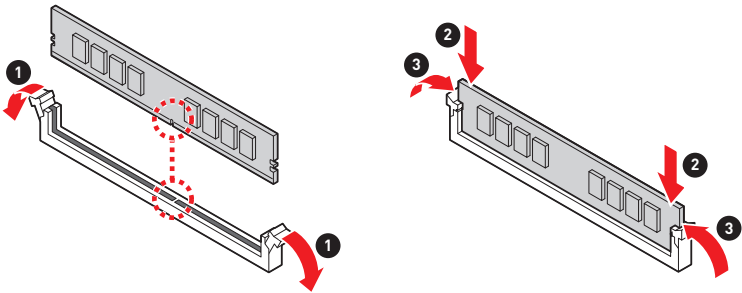
### Important

- When changing the processor, the system configuration could be cleared and reset BIOS to default values, due to the AM4 processor's architecture.
- Always unplug the power cord from the power outlet before installing or removing the CPU.
- When installing a CPU, always remember to install a CPU heatsink. A CPU heatsink is necessary to prevent overheating and maintain system stability.
- Confirm that the CPU heatsink has formed a tight seal with the CPU before booting your system.
- Overheating can seriously damage the CPU and motherboard. Always make sure the cooling fans work properly to protect the CPU from overheating. Be sure to apply an even layer of thermal paste (or thermal tape) between the CPU and the heatsink to enhance heat dissipation.
- If you purchased a separate CPU and heatsink/cooler, Please refer to the documentation in the heatsink/cooler package for more details about installation.
- This motherboard is designed to support overclocking. Before attempting to overclock, please make sure that all other system components can tolerate overclocking. Any attempt to operate beyond product specifications is not recommended. MSI® does not guarantee the damages or risks caused by inadequate operation beyond product specifications.

## DIMM Slots



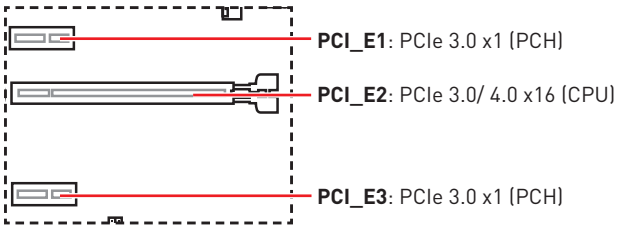
## Memory module installation recommendation



### **Important**

- Due to chipset resource usage, the available capacity of memory will be a little less than the amount of installed.
- Based on processor specification, the Memory DIMM voltage below 1.35V is suggested to protect the processor.
- Due to AM4 CPU/memory controller official specification limitation, the frequency of memory modules may operate lower than the marked value under the default state.
- Please refer to [www.msi.com](http://www.msi.com) for more information on compatible memory.

## PCI\_E1~3: PCIe Expansion Slots

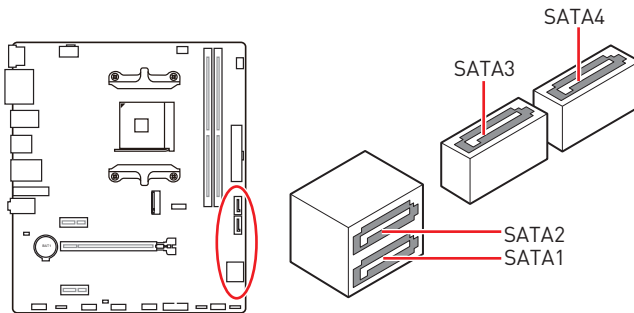


### **Important**

- If you install a large and heavy graphics card, you need to use a tool such as **MSI Gaming Series Graphics Card Bolster** to support its weight to prevent deformation of the slot.
- When adding or removing expansion cards, always turn off the power supply and unplug the power supply power cable from the power outlet. Read the expansion card's documentation to check for any necessary additional hardware or software changes.

## SATA1~4: SATA 6Gb/s Connectors

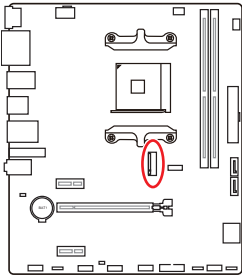
These connectors are SATA 6Gb/s interface ports. Each connector can connect to one SATA device.



### **Important**

- Please do not fold the SATA cable at a 90-degree angle. Data loss may result during transmission otherwise.
- SATA cables have identical plugs on either sides of the cable. However, it is recommended that the flat connector be connected to the motherboard for space saving purposes.

## M2\_1: M.2 Slot (Key M)



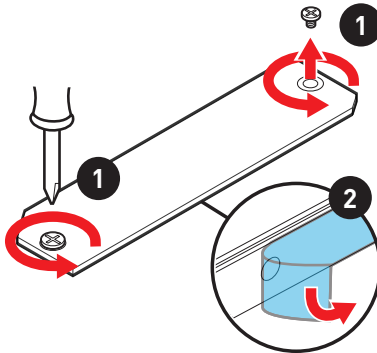
### **Video Demonstration**

Watch the video to learn how to Install M.2 module.

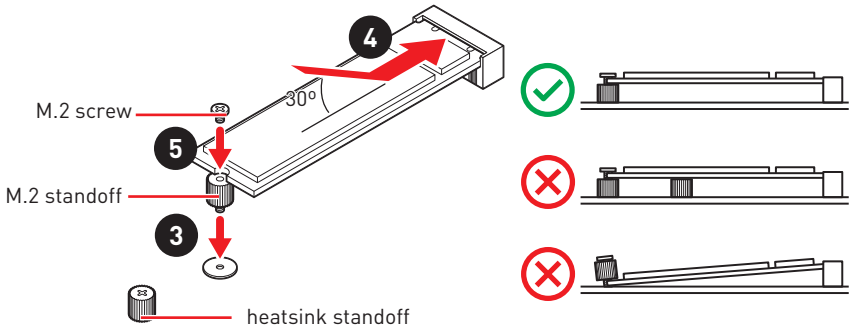
<http://youtu.be/JCTFABytrYA>

### **Installing M.2 module**

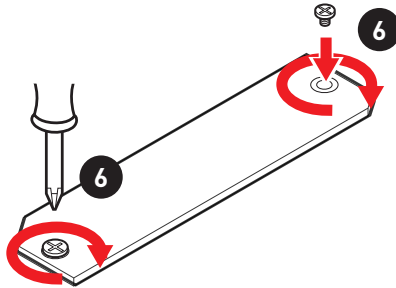
1. Loosen the screws of M.2 SHIELD FROZR heatsink.
2. Remove the M.2 SHIELD FROZR and remove the protective films from the thermal pads.



3. Move and fasten the M.2 standoff to the appropriate position for your M.2 SSD, or remove the M.2 standoff if your M.2 SSD length is same as the length of M.2 heatsink to avoid damage to the M.2 SSD.
4. Insert your M.2 SSD into the M.2 slot at a 30-degree angle.
5. Secure the M.2 SSD in place with the M.2 screw, or skip this step if you remove the M.2 standoff in step 3.

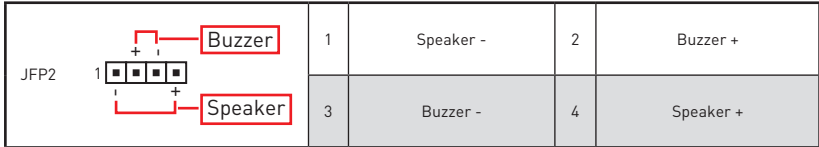
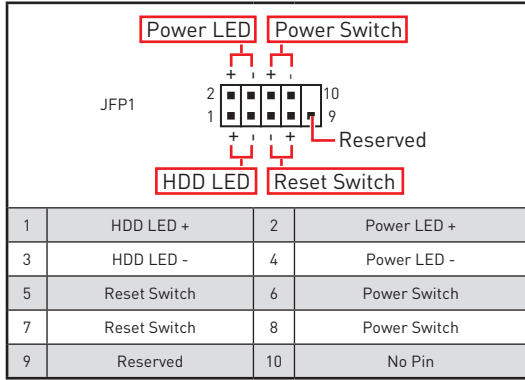
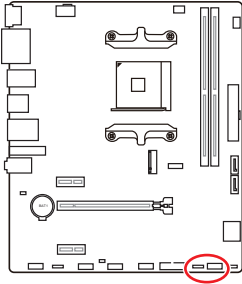


6. Put the M.2 SHIELD FROZR heatsink back in place and secure it.



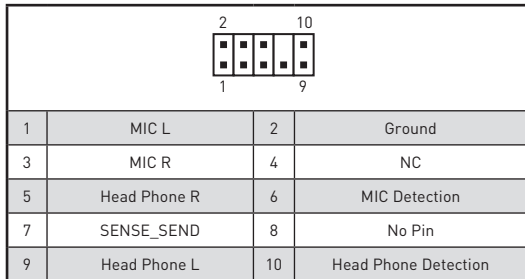
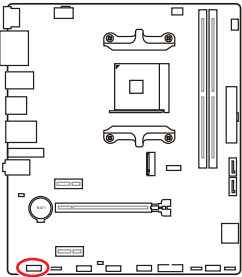
## JFP1, JFP2: Front Panel Connectors

These connectors connect to the switches and LEDs on the front panel.



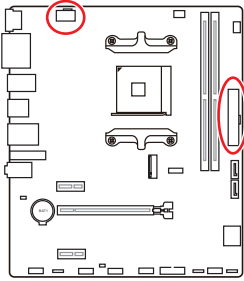
## JAUD1: Front Audio Connector

This connector allows you to connect audio jacks on the front panel.



## CPU\_PWR1, ATX\_PWR1: Power Connectors

These connectors allow you to connect an ATX power supply.



1	Ground	5	+12V
2	Ground	6	+12V
3	Ground	7	+12V
4	Ground	8	+12V

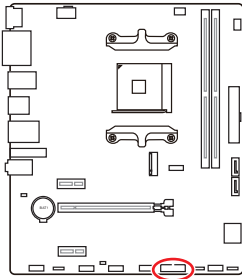
1	+3.3V	13	+3.3V
2	+3.3V	14	-12V
3	Ground	15	Ground
4	+5V	16	PS-ON#
5	Ground	17	Ground
6	+5V	18	Ground
7	Ground	19	Ground
8	PWR OK	20	Res
9	5VSB	21	+5V
10	+12V	22	+5V
11	+12V	23	+5V
12	+3.3V	24	Ground

### **Important**

Make sure that all the power cables are securely connected to a proper ATX power supply to ensure stable operation of the motherboard.

## JUSB3: USB 3.2 Gen 1 5Gbps Connector

This connector allows you to connect USB 3.2 Gen 1 5Gbps ports on the front panel.



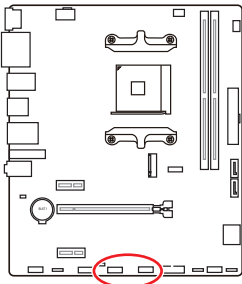
1	Power	11	USB2.0+
2	USB3_RX_DN	12	USB2.0-
3	USB3_RX_DP	13	Ground
4	Ground	14	USB3_TX_C_DP
5	USB3_TX_C_DN	15	USB3_TX_C_DN
6	USB3_TX_C_DP	16	Ground
7	Ground	17	USB3_RX_DP
8	USB2.0-	18	USB3_RX_DN
9	USB2.0+	19	Power
10	Ground	20	No Pin

### Important

Note that the Power and Ground pins must be connected correctly to avoid possible damage.

## JUSB1~2: USB 2.0 Connectors

These connectors allow you to connect USB 2.0 ports on the front panel.



1	VCC	2	VCC
3	USB0-	4	USB1-
5	USB0+	6	USB1+
7	Ground	8	Ground
9	No Pin	10	NC

### Important

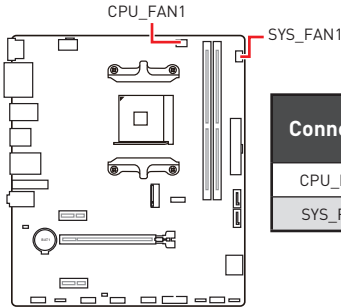
- Note that the VCC and Ground pins must be connected correctly to avoid possible damage.

- In order to recharge your iPad, iPhone and iPod through USB ports, please install MSI® DRAGON CENTER utility.



## CPU\_FAN1, SYS\_FAN1: Fan Connectors

Fan connectors can be classified as PWM (Pulse Width Modulation) Mode or DC Mode. PWM Mode fan connectors provide constant 12V output and adjust fan speed with speed control signal. DC Mode fan connectors control fan speed by changing voltage. The auto mode fan connectors can automatically detect PWM and DC mode. However, you can follow the instruction below to adjust the fan connector to PWM or DC Mode manually.



Connector	Default fan mode	Max. current	Max. power
CPU_FAN1	Auto mode	2A	24W
SYS_FAN1	DC mode	1A	12W

### Switching fan mode and adjusting fan speed

You can switch between PWM mode and DC mode and adjust fan speed in **BIOS > HARDWARE MONITOR**.

Select **PWM** mode or **DC** mode





There are gradient points of the fan speed that allow you to adjust fan speed in relation to CPU temperature.

### **Important**

Make sure fans are working properly after switching the PWM/ DC mode.

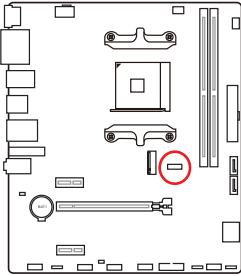
### Pin definition of fan connectors

1  PWM Mode pin definition			
1	Ground	2	+12V
3	Sense	4	Speed Control Signal

1  DC Mode pin definition			
1	Ground	2	Voltage Control
3	Sense	4	NC

## JTPM1: TPM Module Connector

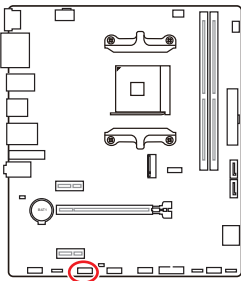
This connector is for TPM (Trusted Platform Module). Please refer to the TPM security platform manual for more details and usages.



1	SPI Power	2	SPI Chip Select
3	Master In Slave Out (SPI Data)	4	Master In Slave In (SPI Data)
5	Reserved	6	SPI Clock
7	Ground	8	SPI Reset
9	Reserved	10	No Pin
11	Reserved	12	Interrupt Request

## JCOM1: Serial Port Connector

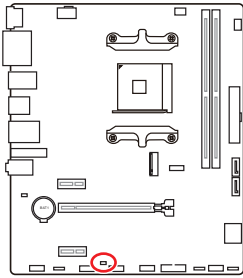
This connector allows you to connect the optional serial port with bracket.



1	DCD	2	SIN
3	SOUT	4	DTR
5	Ground	6	DSR
7	RTS	8	CTS
9	RI	10	No Pin

## JCI1: Chassis Intrusion Connector

This connector allows you to connect the chassis intrusion switch cable.



Normal  
(default)



Trigger the chassis  
intrusion event

### Using chassis intrusion detector

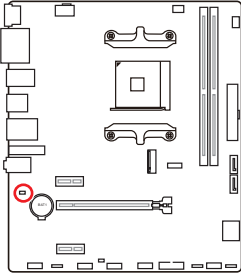
1. Connect the **JCI1** connector to the chassis intrusion switch/ sensor on the chassis.
2. Close the chassis cover.
3. Go to **BIOS > SETTINGS > Security > Chassis Intrusion Configuration**.
4. Set **Chassis Intrusion** to **Enabled**.
5. Press **F10** to save and exit and then press the **Enter** key to select **Yes**.
6. Once the chassis cover is opened again, a warning message will be displayed on screen when the computer is turned on.

### Resetting the chassis intrusion warning

1. Go to **BIOS > SETTINGS > Security > Chassis Intrusion Configuration**.
2. Set **Chassis Intrusion** to **Reset**.
3. Press **F10** to save and exit and then press the **Enter** key to select **Yes**.

## JBAT1: Clear CMOS (Reset BIOS) Jumper

There is CMOS memory onboard that is external powered from a battery located on the motherboard to save system configuration data. If you want to clear the system configuration, set the jumpers to clear the CMOS memory.



Keep Data  
(default)



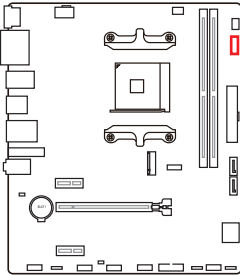
Clear CMOS/  
Reset BIOS

## Resetting BIOS to default values

1. Power off the computer and unplug the power cord.
2. Use a jumper cap to short **JBAT1** for about 5-10 seconds.
3. Remove the jumper cap from **JBAT1**.
4. Plug the power cord and Power on the computer.

## EZ Debug LED

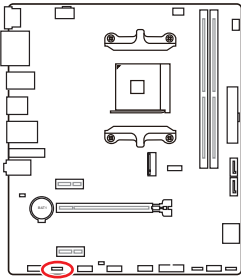
These LEDs indicate the debug status of the motherboard.



- CPU** - indicates CPU is not detected or fail.
- DRAM** - indicates DRAM is not detected or fail.
- VGA** - indicates GPU/ PCIE/ M.2 device is not detected or fail.
- BOOT** - indicates the booting device is not detected or fail.

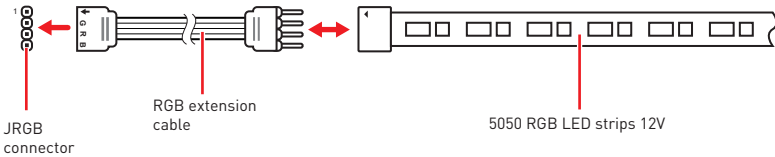
## JRGB1: RGB LED connectors

The JRGB connector allows you to connect the 5050 RGB LED strips 12V.

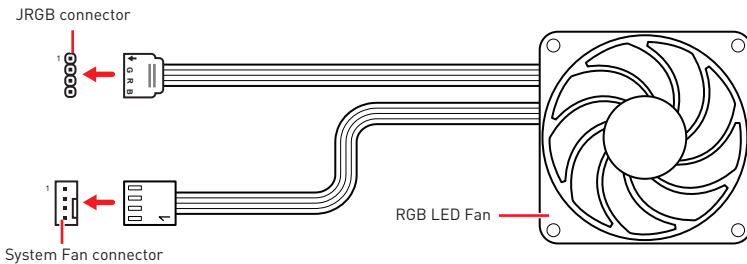


1			
1	+12V	2	G
3	R	4	B

### RGB LED Strip Connection



### RGB LED Fan Connection

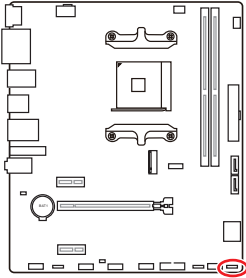


### Important

- The JRGB connector supports up to 2 meters continuous 5050 RGB LED strips (12V/G/R/B) with the maximum power rating of 3A (12V).
- Always turn off the power supply and unplug the power cord from the power outlet before installing or removing the RGB LED strip.
- Please use MSI's software to control the extended LED strip.

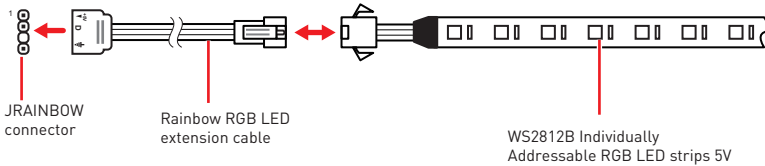
## JRAINBOW1: Addressable RGB LED connectors

The JRAINBOW connector allows you to connect the WS2812B Individually Addressable RGB LED strips 5V.

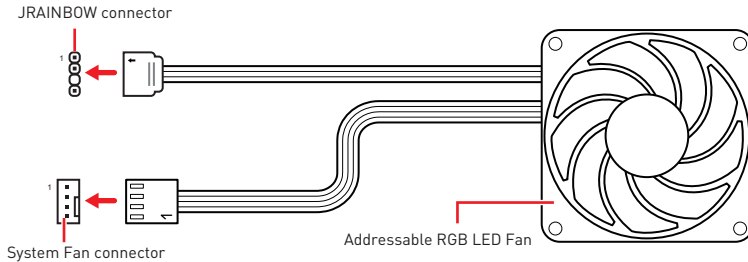


1			
1	+5V	2	Data
3	No Pin	4	Ground

### Addressable RGB LED Strip Connection



### Addressable RGB LED Fan Connection



### **CAUTION**

Do not connect the wrong type of LED strips. The JRGB connector and the JRAINBOW connector provide different voltages, and connecting the 5V LED strip to the JRGB connector will result in damage to the LED strip.

### **Important**

- The JRAINBOW connector supports up to 75 LEDs WS2812B Individually Addressable RGB LED strips [5V/Data/Ground] with the maximum power rating of 3A (5V). In the case of 20% brightness, the connector supports up to 200 LEDs.
- Always turn off the power supply and unplug the power cord from the power outlet before installing or removing the RGB LED strip.
- Please use MSI's software to control the extended LED strip.

# Installing OS, Drivers & Utilities

Please download and update the latest utilities and drivers at [www.msi.com](http://www.msi.com)

## Installing Windows® 10

1. Power on the computer.
2. Insert the Windows® 10 installation disc/USB into your computer.
3. Press the **Restart** button on the computer case.
4. Press **F11** key during the computer POST (Power-On Self Test) to get into Boot Menu.
5. Select the Windows® 10 installation disc/USB from the Boot Menu.
6. Press any key when screen shows **Press any key to boot from CD or DVD** message.
7. Follow the instructions on the screen to install Windows® 10.

## Installing Drivers

1. Start up your computer in Windows® 10.
2. Insert MSI® Drive Disc into your optical drive.
3. Click the **Select to choose what happens with this disc** pop-up notification, then select **Run DVDSetup.exe** to open the installer. If you turn off the AutoPlay feature from the Windows Control Panel, you can still manually execute the **DVDSetup.exe** from the root path of the MSI Drive Disc.
4. The installer will find and list all necessary drivers in the **Drivers/Software** tab.
5. Click the **Install** button in the lower-right corner of the window.
6. The drivers installation will then be in progress, after it has finished it will prompt you to restart.
7. Click **OK** button to finish.
8. Restart your computer.

## Installing Utilities

Before you install utilities, you must complete drivers installation.

1. Open the installer as described above.
2. Click the **Utilities** tab.
3. Select the utilities you want to install.
4. Click the **Install** button in the lower-right corner of the window.
5. The utilities installation will then be in progress, after it has finished it will prompt you to restart.
6. Click **OK** button to finish.
7. Restart your computer.

# UEFI BIOS

MSI UEFI BIOS is compatible with UEFI (Unified Extensible Firmware Interface) architecture. UEFI has many new functions and advantages that traditional BIOS cannot achieve, and it will completely replace BIOS in the future. The MSI UEFI BIOS uses UEFI as the default boot mode to take full advantage of the new chipset's capabilities. However, it still has a CSM (Compatibility Support Module) mode to be compatible with older devices. That allows you to replace legacy devices with UEFI compatible devices during the transition.



## Important

The term BIOS in this user guide refers to UEFI BIOS unless otherwise noted.

## UEFI advantages

- Fast booting - UEFI can directly boot the operating system and save the BIOS self-test process. And also eliminates the time to switch to CSM mode during POST.
- Supports for hard drive partitions larger than 2 TB.
- Supports more than 4 primary partitions with a GUID Partition Table (GPT).
- Supports unlimited number of partitions.
- Supports full capabilities of new devices - new devices may not provide backward compatibility.
- Supports secure startup - UEFI can check the validity of the operating system to ensure that no malware tampers with the startup process.

## Incompatible UEFI cases

- **32-bit Windows operating system** - this motherboard supports only Windows 10 64-bit operating system.
- **Older graphics card** - the system will detect your graphics card. When display a warning message **There is no GOP (Graphics Output protocol) support detected in this graphics card.**

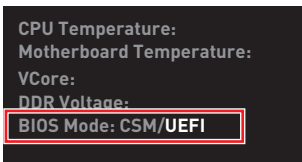


## Important

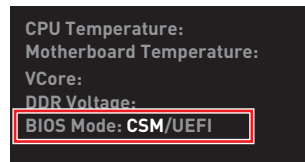
We recommend that you to use a GOP/UEFI compatible graphics card.

## How to check the BIOS mode?

After entering the BIOS, find the BIOS Mode at the top of the screen.



UEFI boot mode



CSM boot mode



## BIOS Setup

The default settings offer the optimal performance for system stability in normal conditions. You should **always keep the default settings** to avoid possible system damage or failure booting unless you are familiar with BIOS.



### **Important**

- *BIOS items are continuously update for better system performance. Therefore, the description may be slightly different from the latest BIOS and should be for reference only. You could also refer to the **HELP** information panel for BIOS item description.*
- *The pictures in this chapter are for reference only and may vary from the product you purchased.*
- *The BIOS items will vary with the processor.*

## Entering BIOS Setup

Press **Delete** key, when the **Press DEL key to enter Setup Menu, F11 to enter Boot Menu** message appears on the screen during the boot process.

### Function key

- F1:** General Help list
- F2:** Add/ Remove a favorite item
- F3:** Enter Favorites menu
- F4:** Enter CPU Specifications menu
- F5:** Enter Memory-Z menu
- F6:** Load optimized defaults
- F7:** Switch between Advanced mode and EZ mode
- F8:** Load Overclocking Profile
- F9:** Save Overclocking Profile
- F10:** Save Change and Reset\*
- F12:** Take a screenshot and save it to USB flash drive (FAT/ FAT32 format only).
- Ctrl+F:** Enter Search page

\* When you press F10, a confirmation window appears and it provides the modification information. Select between Yes or No to confirm your choice.

## Resetting BIOS

You might need to restore the default BIOS setting to solve certain problems. There are several ways to reset BIOS:

- Go to BIOS and press **F6** to load optimized defaults.
- Short the **Clear CMOS** jumper on the motherboard.
- Press the **Clear CMOS** button on the motherboard.



### Important

Be sure the computer is off before clearing CMOS data. Please refer to the **Clear CMOS** jumper section for resetting BIOS.

## Updating BIOS

### Updating BIOS with M-FLASH

Before updating:

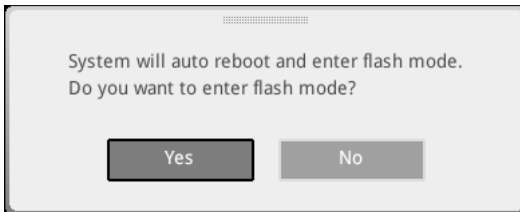
Please download the latest BIOS file that matches your motherboard model from MSI website. And then save the BIOS file into the USB flash drive.

Updating BIOS:

1. Insert the USB flash drive that contains the update file into the USB port.
2. Please refer the following methods to enter flash mode.
  - Reboot and press **Ctrl + F5** key during POST and click on **Yes** to reboot the system.

Press <Ctrl+F5> to activate M-Flash for BIOS update.

- Reboot and press **Del** key during POST to enter BIOS. Click the **M-FLASH** button and click on **Yes** to reboot the system.



3. Select a BIOS file to perform the BIOS update process.
4. When prompted click on Yes to start recovering BIOS.
5. After the flashing process is 100% completed, the system will reboot automatically.

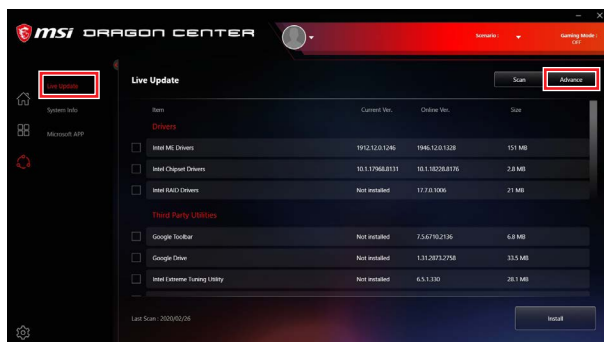
## Updating the BIOS with MSI DRAGON CENTER

Before updating:

Make sure the LAN driver is already installed and the internet connection is set properly.

Updating BIOS:

1. Install and launch MSI DRAGON CENTER and go to **Support** page.
2. Select **Live Update** and click on Advance button.



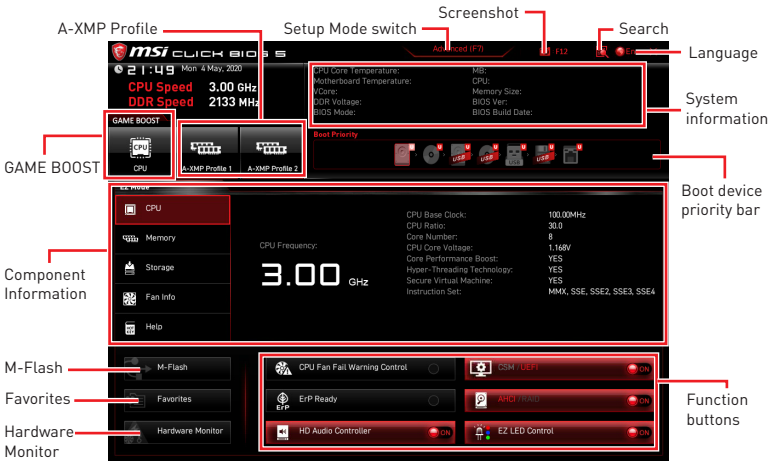
3. Click on **Scan** button to search the latest BIOS file.
4. Select the BIOS file and click on **Download** icon to download and install the latest BIOS file.
5. Click **Next** and choose **In Windows mode**. And then click **Next** and **Start** to start updating BIOS.
6. After the flashing process is 100% completed, the system will restart automatically.

## Updating BIOS with Flash BIOS Button

1. Please download the latest BIOS file that matches your motherboard model from the MSI® website.
2. Rename the BIOS file to **MSI.ROM**, and save it to the root of your USB flash drive.
3. Connect the power supply to **CPU\_PWR1** and **ATX\_PWR1**. (No need to install CPU and memory.)
4. Plug the USB flash drive that contains the MSI.ROM file into the **Flash BIOS Port** on the rear I/O panel.
5. Press the **Flash BIOS** Button to flash BIOS, and the LED starts flashing.
6. The LED will be turned off when the process is completed.

## EZ Mode

At EZ mode, it provides the basic system information and allows you to configure the basic setting. To configure the advanced BIOS settings, please enter the Advanced Mode by pressing the **Setup Mode switch** or **F7** function key.



- **GAME BOOST** - click on it to toggle the GAME BOOST for overclocking. This function is only available when both of the motherboard and CPU are supporting this function.

### Important

*We don't recommend you to adjust any BIOS item after activating the **GAME BOOST** function for keeping the optimal performance and system stability.*

- **A-XMP Profile** - allows you to select the A-XMP profile for memory to overclock. This function is only available when the system, memory and CPU are supporting this function.
- **Setup Mode switch** - press this tab or the **F7** key to switch between Advanced mode and EZ mode.
- **Screenshot** - click on this tab or the **F12** key to take a screenshot and save it to USB flash drive (FAT/ FAT32 format only).
- **Search** - click on this tab or the **Ctrl+F** keys to enter the search page. It allows you to search by BIOS item name. Move the mouse over a blank space and right click the mouse to exit the search page.

### Important

*In search page, only the F6, F10 and F12 function keys are available.*

- **Language** - allows you to select language of BIOS setup.

- **System information** - shows the CPU/ DDR speed, CPU/ MB temperature, MB/ CPU type, memory size, CPU/ DDR voltage, BIOS version and build date.
- **Boot device priority bar** - you can move the device icons to change the boot priority. The boot priority from high to low is left to right.
- **Component Information** - click on the **CPU, Memory, Storage, Fan Info** and **Help** buttons to show the information of connected component.
- **Function buttons** - enable or disable these functions by clicking on these buttons. The function is enabled when the button shows **ON** .

### **Important**

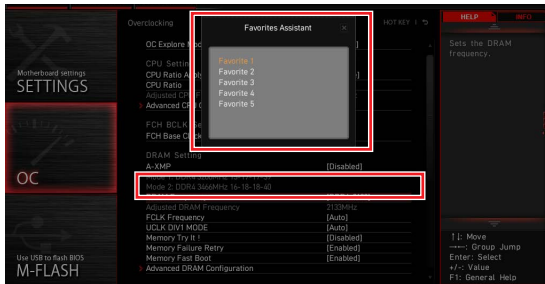
The function buttons will vary with the motherboard you purchased.

- **M-Flash** - click on this button to enter the **M-Flash** menu that provides the way to update BIOS with a USB flash drive.
- **Hardware Monitor** - click on this button to enter the **Hardware Monitor** menu that allows you to manually control the fan speed by percentage.
- **Favorites** - click on this button or press the **F3** key to show the **Favorites** window. It provides 5 menus for you to create personal BIOS menu where you can save and access favorite/ frequently-used BIOS setting items.



▪ **To add a BIOS item to a favorite menu**

1. Select a BIOS item not only on BIOS menu but also on search page.
2. Right-click or press **F2** key.
3. Choose a favorite page and click on **OK**.



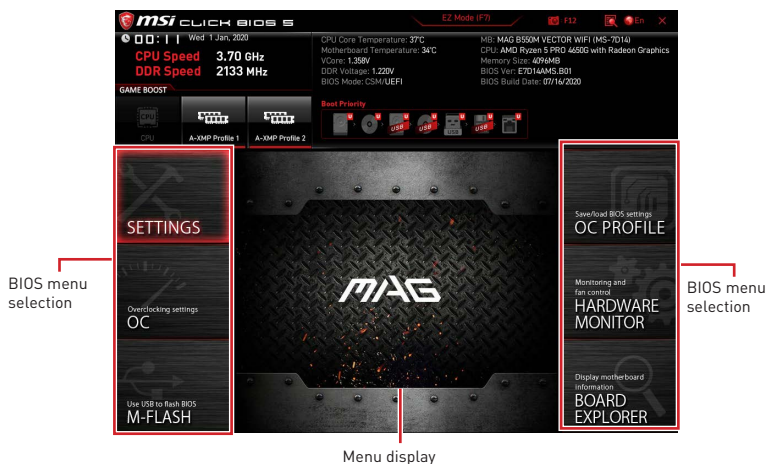
▪ **To delete a BIOS item from favorite menu**

1. Select a BIOS item on favorite menu.
2. Right-click or press **F2** key.
3. Choose **Delete** and click on **OK**.



## Advanced Mode

Press **Setup Mode switch** or **F7** function key can switch between EZ Mode and Advanced Mode in BIOS setup.



- **BIOS menu selection** - the following options are available:
  - **SETTINGS** - allows you to specify the parameters for chipset and boot devices.
  - **OC** - allows you to adjust the frequency and voltage. Increasing the frequency may get better performance.
  - **M-FLASH** - provides the way to update BIOS with a USB flash drive.
  - **OC PROFILE** - allows you to manage overclocking profiles.
  - **HARDWARE MONITOR** - allows you to set the speeds of fans and monitor voltages of system.
  - **BOARD EXPLORER** - provides the information of installed devices on this motherboard.
- **Menu display** - provides BIOS setting items and information to be configured.

## OC Menu

This menu allows you to configure the frequencies and voltages for overclocking. Please note that, higher frequency and voltage may benefit overclocking capability but cause system un-stability.



### **Important**

- *Overclocking your PC manually is only recommended for advanced users.*
- *Overclocking is not guaranteed, and if done improperly, it could void your warranty or severely damage your hardware.*
- *If you are unfamiliar with overclocking, we advise you to use **GAME BOOST** function for easy overclocking.*
- *The BIOS items in OC menu will vary with the processor.*

### ► **OC Explore Mode [Normal]**

Enables or disables to show the normal or expert version of OC settings.

[Normal] Provides the regular OC settings in BIOS setup.

[Expert] Provides the advanced OC settings for OC expert to configure in BIOS setup.

Note: We use \* as the symbol for the OC settings of Expert mode.

### ► **CPU Ratio Apply Mode [All Core]**

Sets applied mode for CPU ratio. This item only appears when a CPU that supports **Turbo Boost** is installed.

### ► **CPU Ratio [Auto]**

Sets the CPU ratio that is used to determine CPU clock speed. This item can only be changed if the processor supports this function.

### ► **Advanced CPU Configuration**

Press **Enter** to enter the sub-menu. User can set the parameters about CPU power/ current. The system may become unstable or unbootable after changing the parameters. If it occurs, please clear the CMOS data and restore the default settings.

### ► **FCH Base Clock[MHz]**

This option allows you to set base clock for the Fusion Controller Hub (FCH) . If set to Auto, the BIOS will automatically set the clock or you can set it manually.

### ► **A-XMP [Disabled]**

Please enable A-XMP or select a profile of memory module for overclocking the memory. This item will be available when the installed processor, memory modules and motherboard support this function.

### ► **DRAM Frequency [Auto]**

Sets the DRAM frequency. Please note the overclocking behavior is not guaranteed.

### ► **Adjusted DRAM Frequency**

Shows the adjusted DRAM frequency. Read-only.



### ► **FCLK Frequency [Auto]**

Sets the FCLK frequency (Internal Data Fabric clock of DRAM). Please note the overclocking behavior is not guaranteed.

### ► **UCLK DIV1 Mode [Auto]**

Sets UCLK (Internal memory controller clock) mode.

### ► **Memory Try It ! [Disabled]**

It can improve memory compatibility or performance by choosing optimized memory preset. This item will be available when the installed processor supports this function.

### ► **Memory Failure Retry [Enabled]**

Enables or disables the system reboot function when the memory OC retry fails.

### ► **Memory Fast Boot [Enabled]**

Enables or disables the initiation and training for memory every booting.

### ► **Advanced DRAM Configuration**

Press **Enter** to enter the sub-menu. User can set the memory timing for each/ all memory channel. The system may become unstable or unbootable after changing memory timing. If it occurs, please clear the CMOS data and restore the default settings. (Refer to the Clear CMOS jumper section to clear the CMOS data, and enter the BIOS to load the default settings.)

### ► **DigitALL Power sub-menu**

Press **Enter** to enter the sub-menu. In the sub-menu, you can setup some protecting conditions about voltage/ current/ temperature for CPU.

### ► **CPU Voltages control [Auto]**

These options allows you to set the voltages related to CPU. If set to **Auto**, BIOS will set these voltages automatically or you can set it manually.

### ► **DRAM Voltages control [Auto]**

These options allows you to set the voltages related to memory. If set to **Auto**, BIOS will set these voltages automatically or you can set it manually.

### ► **Memory Changed Detect [Enabled]\***

Enables or disables the system to issue a warning message during boot when the memory has been replaced.

[Enabled]     The system will issue a warning message during boot and then you have to load the default settings for new devices.

[Disabled]    Disables this function and keeps the current BIOS settings.

### ► **CPU Specifications sub-menu**

Press **Enter** to enter the sub-menu. This sub-menu displays the information of installed CPU. You can also access this information menu at any time by pressing [F4]. Read only.

### ► **MEMORY-Z sub-menu**

Press **Enter** to enter the sub-menu. This sub-menu displays all the settings and timings of installed memory. You can also access this information menu at any time by pressing [F5].



# Inhalt

<b>Sicherheitshinweis</b> .....	<b>2</b>
<b>Spezifikationen</b> .....	<b>3</b>
<b>Packungsinhalt</b> .....	<b>8</b>
<b>Rückseite E/A</b> .....	<b>9</b>
LAN Port LED Zustandstabelle .....	9
Realtek Audio Console .....	9
<b>Übersicht der Komponenten</b> .....	<b>12</b>
Prozessorsockel .....	13
DIMM <b>Steckplätze</b> .....	<b>14</b>
PCI_E1~3: PCIe <b>Erweiterungssteckplätze</b> .....	<b>15</b>
SATA1~4: SATA 6Gb/s Anschlüsse.....	15
M2_1: M.2 Steckplatz (Key M) .....	16
JFP1, JFP2: Frontpanel-Anschlüsse .....	18
JAUD1: Audioanschluss des Frontpanels.....	18
CPU_PWR1, ATX_PWR1: <b>Stromanschlüsse</b> .....	<b>19</b>
JUSB3: USB 3.2 Gen 1 5Gbit/s Anschluss.....	20
JUSB1~2: USB 2.0 <b>Anschlüsse</b> .....	<b>20</b>
CPU_FAN1, SYS_FAN1: Stromanschlüsse für Lüfter .....	21
JTPM1: TPM Anschluss.....	22
JCOM1: Serieller Anschluss.....	22
JCI1: Gehäusekontaktanschluss.....	23
JBAT1: Clear CMOS Steckbrücke (Reset BIOS) .....	24
EZ Debug LED.....	24
JRGB1: RGB LED Anschluss .....	25
JRAINBOW1: Adressierbarer RGB LED Anschluss .....	26
<b>Installation von OS, Treibern und Utilities</b> .....	<b>27</b>
Installation von Windows® 10.....	27
Installation von Treibern .....	27
Installation von Utilities.....	27
<b>UEFI BIOS</b> .....	<b>28</b>
BIOS Setup.....	29
Öffnen des BIOS Setups.....	29
Reset des BIOS .....	30
Aktualisierung des BIOS.....	30
EZ Modus .....	32
Erweiterter Modus .....	35
OC Menü.....	36

# Sicherheitshinweis

- Die im Paket enthaltene Komponenten sind der Beschädigung durch elektrostatischen Entladung (ESD). Beachten Sie bitte die folgenden Hinweise, um die erfolgreiche Computermontage sicherzustellen.
- Stellen Sie sicher, dass alle Komponenten fest angeschlossen sind. Lockere Steckverbindungen können Probleme verursachen, zum Beispiel: Der Computer erkennt eine Komponente nicht oder startet nicht.
- Halten Sie das Motherboard nur an den Rändern fest, und verhindern Sie die Berührung der sensiblen Komponenten.
- Um eine Beschädigung der Komponenten durch elektrostatische Entladung (ESD) zu vermeiden, sollten Sie eines elektrostatischen Armbands während der Handhabung des Motherboards tragen. Wenn kein elektrostatisches Handgelenkband vorhanden ist, sollten Sie Ihre statische Elektrizität ableiten, indem Sie ein anderes Metallobjekt berühren, bevor Sie das Motherboard anfassen.
- Bewahren Sie das Motherboard in einer elektrostatische Abschirmung oder einem Antistatiktuch auf, wenn das Motherboard nicht installiert ist.
- Überprüfen Sie vor dem Einschalten des Computers, dass sich keine losen Schrauben und andere Bauteile auf dem Motherboard oder im Computergehäuse befinden.
- Bitte starten Sie den Computer nicht, bevor die Installation abgeschlossen ist. Dies könnte permanente Schäden an den Komponenten sowie zu das Verletzung des Benutzers verursachen.
- Sollten Sie Hilfe bei der Installation benötigen, wenden Sie sich bitte an einen zertifizierten Computer-Techniker.
- Schalten Sie die Stromversorgung aus und ziehen Sie das das Stromkabel ab, bevor Sie jegliche Computer-Komponente ein- und ausbauen.
- Bewahren Sie die Bedienungsanleitung als künftige Referenz auf.
- Halten Sie das Motherboard von Feuchtigkeit fern.
- Bitte stellen Sie sicher, dass Ihre Netzspannung den Hinweisen auf dem Netzteil vor Anschluss des Netzteils an die Steckdose entspricht.
- Verlegen Sie das Netzkabel so, dass niemand versehentlich darauf treten kann. Stellen Sie nichts auf dem Netzkabel ab.
- Alle Achtungs- und Warnhinweise auf dem Motherboard müssen befolgt werden.
- Falls einer der folgenden Umstände eintritt, lassen Sie bitte das Motherboard von Kundendienstpersonal prüfen:
  - Flüssigkeit ist in dem Computer eingedrungen.
  - Das Motherboard wurde Feuchtigkeit ausgesetzt.
  - Das Motherboard funktioniert nicht richtig oder Sie können es nicht wie in der Bedienungsanleitung beschrieben bedienen.
  - Das Motherboard ist heruntergefallen und beschädigt.
  - Das Motherboard weist offensichtlich Zeichen eines Schadens auf.
- Nutzen und lagern Sie das Gerät nicht an Stellen, an denen Temperaturen von mehr als 60°C herrschen - das Motherboard kann in diesem Fall Schaden nehmen.

# Spezifikationen

<b>CPU</b>	Unterstützt AMD Ryzen™ der 3. Generation Desktop-Prozessoren und AMD Ryzen™4000 G-Serie Desktop-Prozessoren
<b>Chipsatz</b>	<ul style="list-style-type: none"> <li>• AMD B550 Chipsatz (MAG B550M VECTOR WIFI)</li> <li>• AMD A520 Chipsatz (MAG A520M VECTOR WIFI)</li> </ul>
<b>Speicher</b>	<ul style="list-style-type: none"> <li>• 2x DDR4 Speicherplätze, aufrüstbar bis 64 GB*             <ul style="list-style-type: none"> <li>▪ Unterstützt DDR4 1866/ 2133/ 2400/ 2667/ 2800/ 2933/ 3000/ 3066/ 3200 MHz durch JEDEC</li> <li>▪ Unterstützt DDR4 2667/ 2800 /2933 /3000 /3066 /3200 /3466 /3600/ 3733 /3866 /4000 /4133 /4266 /4400/ 4600+ MHz durch A-XMP OC MODUS                 <ul style="list-style-type: none"> <li>▫ 1DPC 1R max. Übertragungsraten bis zu 4600 MHz</li> <li>▫ 1DPC 2R max. Übertragungsraten bis zu 3866 MHz</li> </ul> </li> </ul> </li> <li>• Dual-Kanal-Speicherarchitektur</li> <li>• Unterstützt non-ECC UDIMM-Speicher</li> <li>• Unterstützt ECC UDIMM-Speicher (non-ECC Modus)</li> <li>• Unterstützt ungepufferte Speicher</li> </ul> <p>* Weitere Informationen zu kompatiblen Speicher finden Sie unter: <a href="http://www.msi.com">http://www.msi.com</a>.</p>
<b>Erweiterungsanschlüsse</b>	<ul style="list-style-type: none"> <li>• 1x PCIe x16 Steckplatz (PCI_E2)             <ul style="list-style-type: none"> <li>▪ MAG B550M VECTOR WIFI unterstützt PCIe 4.0/3.0*</li> <li>▪ MAG A520M VECTOR WIFI unterstützt PCIe 3.0</li> </ul> </li> <li>• 2x PCIe 3.0 x1 Steckplätze</li> </ul> <p>* Die unterstützte Spezifikation hängt vom installierten Prozessor ab.</p>
<b>Onboard-Grafik</b>	<ul style="list-style-type: none"> <li>• 1x HDMI 2.1 Anschluss, Unterstützung einer maximalen Auflösung von 4096x2160 @60Hz***</li> <li>• 1x DisplayPort 1.2 Anschluss, Unterstützung einer maximalen Auflösung von 4096x2160 @60Hz**</li> <li>• Der maximale geteilte Speicher ist 16 GB</li> </ul> <p>* Die Grafikkarten-Spezifikationen können abhängig von der installierten CPU variieren.          ** Es ist verfügbar für den Prozessor mit integrierter Grafik.</p>

Fortsetzung auf der nächsten Seite

Fortsetzung der vorherigen Seite

<b>Aufbewahrung</b>	<p>AMD B550/ A520 Chipsatz</p> <ul style="list-style-type: none"><li>• 4x SATA 6Gb/s Anschlüsse</li><li>• 1x M.2 Steckplatz (Key M) (vom AMD Prozessor)<ul style="list-style-type: none"><li>▪ MAG B550M VECTOR WIFI unterstützt PCIe 4.0/ 3.0 x4*</li><li>▪ MAG A520M VECTOR WIFI unterstützt PCIe 3.0 x4</li><li>▪ Unterstützt SATA 6Gb/s</li><li>▪ Unterstützt 2242/ 2260/ 2280 Speichergeräte</li></ul></li></ul> <p>* Die unterstützte PCIe-Spezifikation hängt von der installierten CPU ab.</p>
<b>RAID</b>	<p>Unterstützt RAID 0, RAID 1 und RAID 10 für SATA Speichergeräte</p>
<b>USB</b>	<p>AMD B550/ A520 Chipsatz</p> <ul style="list-style-type: none"><li>• 2x USB 3.2 Gen 1 5Gbit/s Anschlüsse (2 Anschlüsse stehen durch die internen USB 3.2 Gen 1 5Gbit/s Anschlüsse)</li><li>• 6x USB 2.0 Anschlüsse (2 Typ-A Anschlüsse an der rückseitigen Anschlussleiste, 4 Anschlüsse stehen durch die internen USB 2.0 Anschlüsse)</li></ul> <p>AMD Prozessor</p> <ul style="list-style-type: none"><li>• 4x USB 3.2 Gen 1 5Gbit/s Typ-A Anschlüsse an der rückseitigen Anschlussleiste</li></ul>
<b>Audio</b>	<p>Realtek® ALC892 Codec</p> <ul style="list-style-type: none"><li>▪ 7.1-Kanal-HD-Audio</li></ul>
<b>LAN</b>	<p>1x Realtek® RTL8111H LAN Controller</p>
<b>Wireless LAN &amp; Bluetooth®</b>	<p>Intel® Dualband Wireless-AC 3168</p> <ul style="list-style-type: none"><li>• Unterstützt Wi-Fi 802.11 ac, Dualband (2,4 GHz, 5 GHz) mit Datenraten von bis zu 433 Mbit/s</li><li>• Unterstützt Dualmodus-Bluetooth 2.1, 2.1+EDR, 3.0, 4.0, BLE, 4.2</li></ul>


Fortsetzung auf der nächsten Seite

Fortsetzung der vorherigen Seite

<b>Internal Connectors</b>	<ul style="list-style-type: none"><li>• 1x 24-poliger ATX Stromanschluss</li><li>• 1x 8-poliger ATX 12V Stromanschluss</li><li>• 4x SATA 6Gb/s Anschlüsse</li><li>• 1x Serieller Anschluss</li><li>• 1x M.2 Steckplatz (M-Key)</li><li>• 1x USB 3.2 Gen 1 5Gbit/s Anschluss (unterstützt zusätzliche 2 USB 3.2 Gen 1 5Gbit/s Anschlüsse)</li><li>• 2x USB 2.0 Anschlüsse (unterstützt zusätzliche 4 USB 2.0 Anschlüsse)</li><li>• 1x 4-poliger CPU-Lüfter-Anschluss</li><li>• 1x 4-poliger System-Lüfter-Anschluss</li><li>• 1x Audioanschluss des Frontpanels</li><li>• 2x System-Panel-Anschlüsse</li><li>• 1x Gehäusekontaktschalter</li><li>• 1x 4-poliger RGB LED Anschluss</li><li>• 1x 3-poliger RAINBOW LED Anschluss</li><li>• 1x TPM Anschluss</li><li>• 1x Clear CMOS Steckbrücke</li></ul>
<b>LED Funktionen</b>	<ul style="list-style-type: none"><li>• 4x EZ Debug LED</li></ul>
<b>Hintere Ein- und Ausgänge</b>	<ul style="list-style-type: none"><li>• 1x PS/2 Tastatur/ Maus-Combo-Anschluss</li><li>• 2x USB 2.0 Typ-A Anschlüsse</li><li>• 1x DisplayPort Anschluss</li><li>• 1x HDMI Anschluss</li><li>• 1x LAN (RJ45) Anschluss</li><li>• 4x USB 3.2 Gen 1 5Gbit/s Typ-A Anschlüsse</li><li>• 2x Wi-Fi Antennenanschlüsse</li><li>• 3x Audiobuchsen</li></ul>
<b>E/A Anschluss</b>	NUVOTON NCT6687-R Controller Chip
<b>Hardware Monitor</b>	<ul style="list-style-type: none"><li>• CPU/System/Chipsatz Temperaturerfassung</li><li>• CPU/ System/ Pump-Lüfter Geschwindigkeitserfassung</li><li>• CPU/ System/ Pump-Lüfter Drehzahlregelung</li></ul>

Fortsetzung auf der nächsten Seite

Fortsetzung der vorherigen Seite

<b>Formfaktor</b>	<ul style="list-style-type: none"><li>• M-ATX Formfaktor</li><li>• 9,6 Zoll x 8,3 Zoll (24,4 cm x 21 cm)</li></ul>
<b>BIOS Funktionen</b>	<ul style="list-style-type: none"><li>• 1x 256 Mb Flash</li><li>• UEFI AMI BIOS</li><li>• ACPI 6.0, SMBIOS 2.8</li><li>• Mehrsprachenunterstützung</li></ul>
<b>Software</b>	<ul style="list-style-type: none"><li>• Treiber</li><li>• DRAGON CENTER</li><li>• CPU-Z MSI GAMING</li><li>• Google Chrome™, Google Toolbar, Google Drive</li><li>• Norton™ Internet Security Solution</li></ul>
<b>Dragon Center Funktionen</b>	<ul style="list-style-type: none"><li>• Gaming Modus</li><li>• Gaming Hotkey</li><li>• Mystic Light</li><li>• Ambient Link</li><li>• Benutzer-Szenario</li><li>• Hardware Monitor</li><li>• True Color</li><li>• Live Update</li><li>• Speed Up</li><li>• Smart Tool</li><li>• Super Charger</li></ul> <div data-bbox="657 778 785 906"></div> <p data-bbox="657 912 906 970">Weitere Informationen finden Sie unter <a href="http://download.msi.com/manual/mb/DRAGONCENTER2.pdf">http://download.msi.com/manual/mb/DRAGONCENTER2.pdf</a></p>

Fortsetzung auf der nächsten Seite



Fortsetzung der vorherigen Seite

## Besondere Funktionen

- Audio
  - Audio Boost
- Netzwerk
  - Intel WiFi
- Kühlung
  - M.2 Shield Frozr
  - Smart Lüftersteuerung
- LED
  - Mystic Light Extension (RAINBOW/RGB)
  - Mystic Light SYNC
  - EZ DEBUG LED
- Leistung
  - DDR4 Boost
  - Core Boost
  - GAME Boost (Nur für MAG B550M VECTOR WIFI)
  - Lightning Gen 4 PCI-E Steckplatz (Nur für MAG B550M VECTOR WIFI)
  - Lightning Gen 4 M.2 (Nur für MAG B550M VECTOR WIFI)
- Schutz
  - PCI-E Steel Armor (Nur für MAG B550M VECTOR WIFI)
- Erfahrung
  - Dragon Center
  - Click BIOS 5

# Packungsinhalt

Überprüfen Sie den Packungsinhalt des Mainboards. Die Packung sollte enthalten:

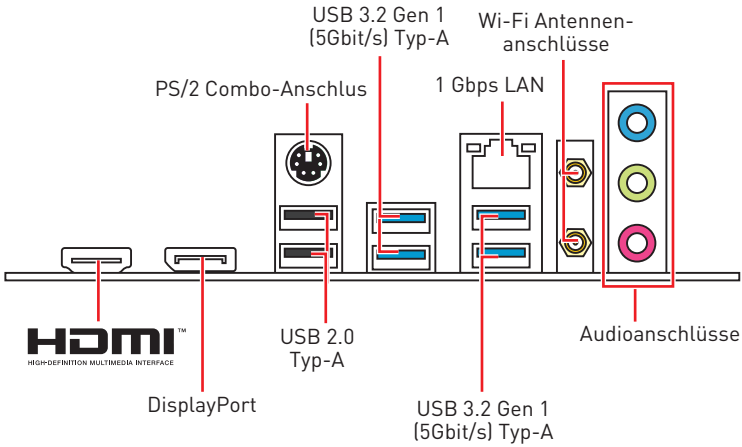
Motherboard	MAG B550M VECTOR WIFI/ MAG A520M VECTOR WIFI	
Kabel	SATA 6G Kabel (2 Kabel pro Packung)	1
Zubehör	M.2 Schraube (3 Stück pro Packung)	1
	Produktregistrierungskarte	1
	Wi-Fi Antenne	1
	Anschlussblende	1
	Gehäuse-Aufkleber	1
Anwendung	Treiber-DVD	1
Dokumentation	Benutzerhandbuch	1
	Schnellinstallationsanleitung	1
	MSI Komponenten-Guide und Prämienprogrammkarte (Nur für MAG B550M VECTOR WIFI)	1



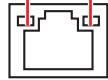
## **Wichtig**

Falls einer der oben aufgeführten Artikel beschädigt ist oder fehlt, wenden Sie sich bitte an Ihren Händler.

# Rückseite E/A

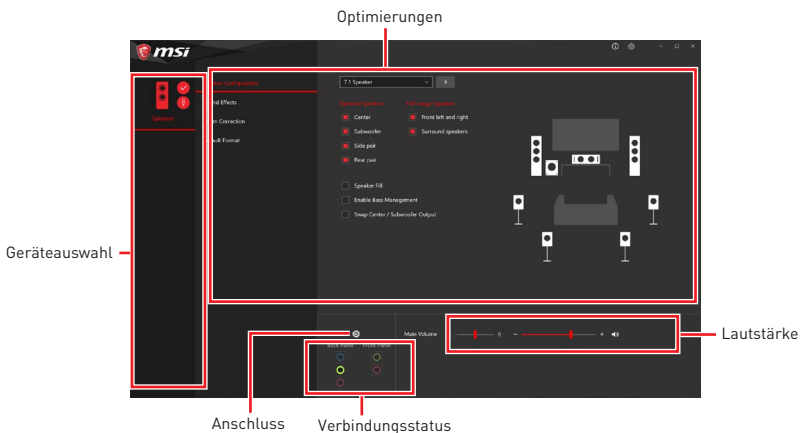


## LAN Port LED Zustandstabelle

Verbindung/ Aktivität LED			Geschwindigkeit LED	
Zustand	Bezeichnung		Zustand	1 Gbit/s LAN
Aus	Keine Verbindung		Aus	10 Mbit/s
Gelb	Verbindung		Grün	100/ 1000 Mbit/s
Blinkt	Datenaktivität		Orange	1 Gbit/s

## Realtek Audio Console

Nach der Installation des Realtek Audio Console-Treibers, können Sie die Audioeinstellungen verändern, um ein optimales Klangerlebnis zu erzeugen.

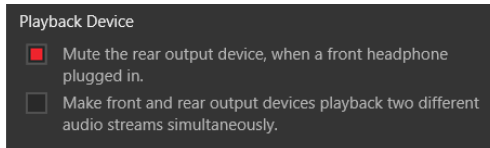


- **Geräteauswahl** - Ermöglicht die Auswahl der Audio-Ausgangs Quelle. Das aktuell aktivierte Gerät ist mit einem Haken gekennzeichnet.
- **Optimierungen** - Die Vielfalt an Optionen bietet eine komplette Anleitung von erwarteten Sound-Effekt für beide Ausgangs- und Eingangsvorrichtung.
- **Lautstärke** - Steuert die Lautstärke und die Balance-Einstellung der Lautsprecher, die im Front-Panel oder auf der Rückseite des PCs eingesteckt sind.
- **Verbindungsstatus** - Bildet die angeschlossenen Render- und Capture-Geräte ab.
- **Anschlüsse** - Konfiguriert die Anschlusseinstellungen.

## Audio 7.1-Kanal Konfiguration

Um 7.1-Kanal-Audio zu konfigurieren, müssen Sie den Front-Audio-Anschluss mit dem JAUD1 Anschluss verbinden und folgen Sie die untenstehenden Schritten.

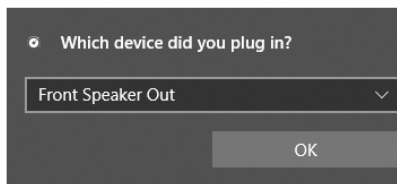
1. Klicken Sie auf **Realtek Audio Console > Advanced Settings**, um das Dialogfeld zu öffnen.



2. Wählen Sie **“Mute the rear output device” („die rückseitigen Ausgänge stumm schalten“)** aus, **wenn ein Front-Kopfhörer eingesteckt wird.**
3. Schließen Sie Ihre Lautsprecher an die Ausgangsbuchsen auf der Rückseite und am Frontpanel an. Nach dem Anschluss eines Audio-Klinkensteckers erscheint ein Dialogfenster und fragt nach einer Bestätigung für das angeschlossene Gerät.

## Auto Popup-Dialog

Nach dem Anschluss eines Audio-Klinkensteckers erscheint ein Dialogfenster und fragt nach einer Bestätigung für das angeschlossene Gerät.

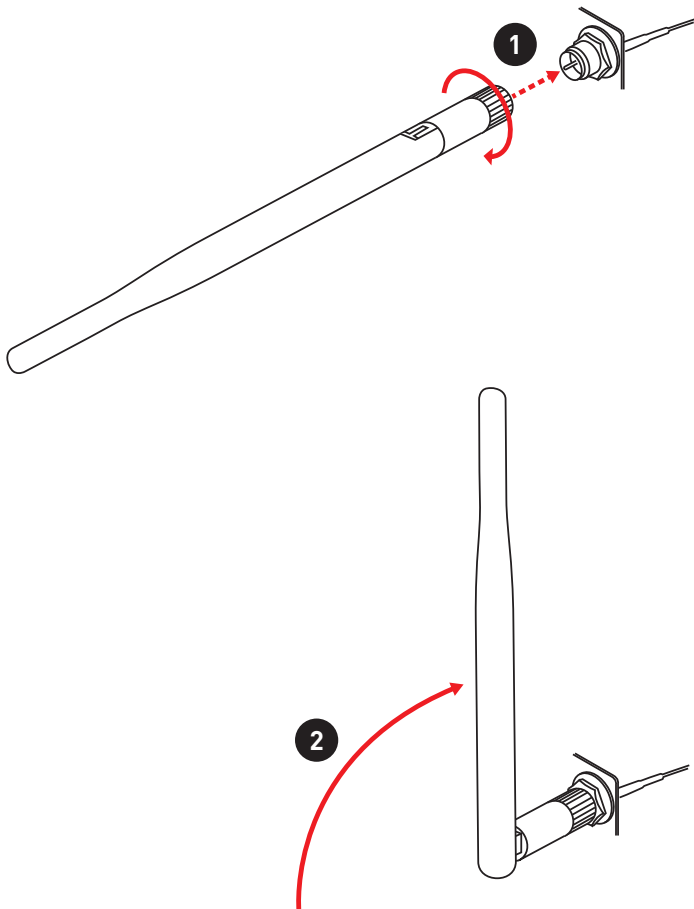


### **Wichtig**

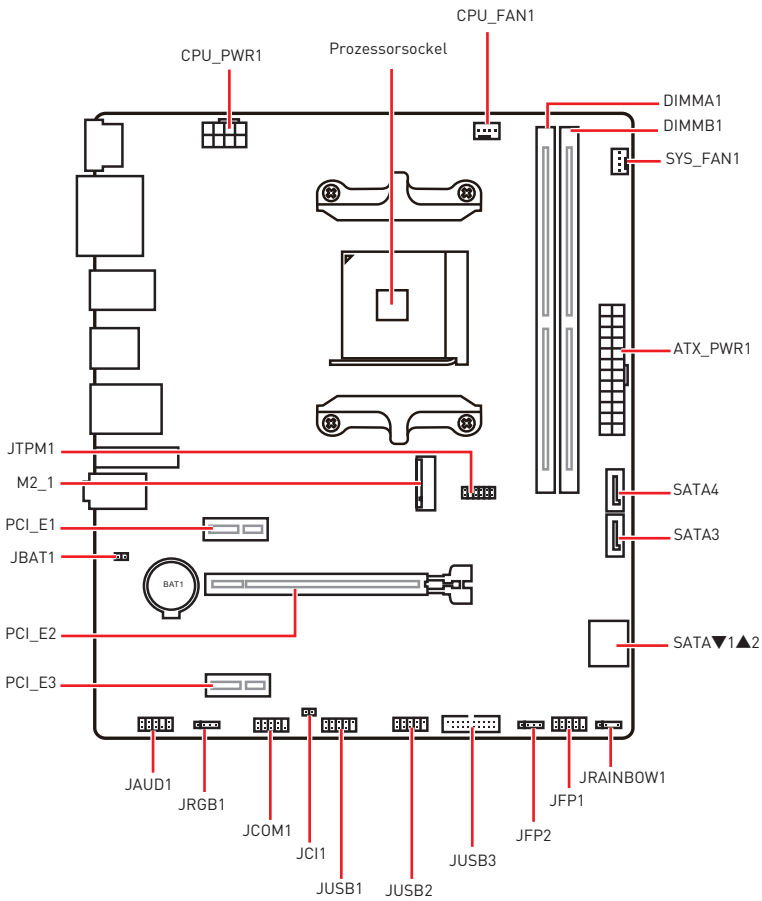
Die obige Bilder stellen lediglich Referenzen dar und können von dem von Ihnen erworbenen Produkt abweichen.

## Antennen installieren

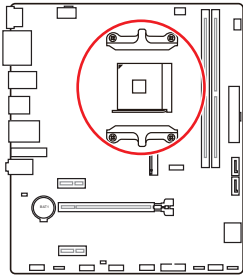
1. Schrauben Sie die Antennen fest an die Antennenanschlüsse, wie gezeigt.
2. Richten Sie die Antennenspitzen aus.



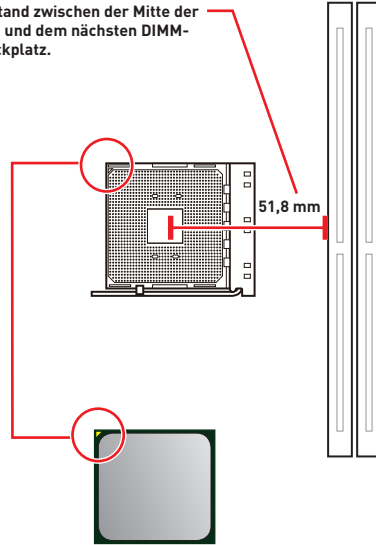
# Übersicht der Komponenten



# Prozessorsocket



Abstand zwischen der Mitte der CPU und dem nächsten DIMM-Steckplatz.



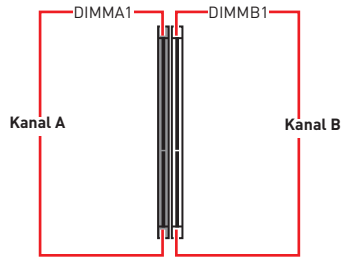
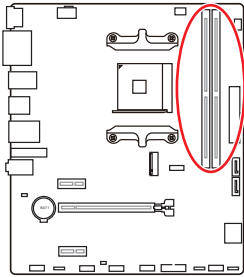
## Erklärung zur AM4 CPU

Die Oberseite der AM4 CPU hat ein gelbes Dreieck um die korrekte Ausrichtung der CPU auf dem Motherboard zu gewährleisten. Das gelbe Dreieck des Prozessors definiert die Position des ersten Pins.

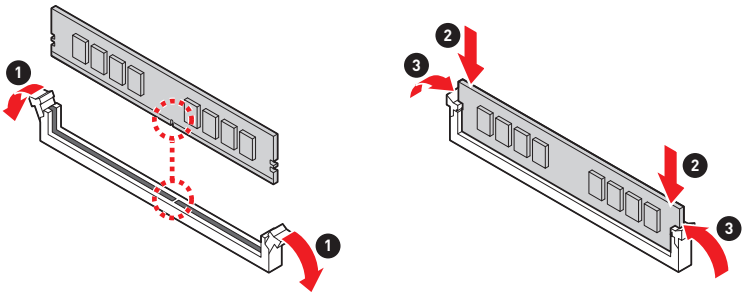
### **Wichtig**

- Bei einem Wechsel der CPU sollte aufgrund der AM4-Prozessorarchitektur die Systemkonfiguration gelöscht und das BIOS auf die Standardwerte zurückgesetzt werden.
- Ziehen Sie das Netzkabel ab, bevor Sie die CPU ein- und ausbauen.
- Wenn Sie die CPU einbauen, denken Sie bitte daran einen CPU-Kühler zu installieren. Ein CPU-Kühlkörper ist notwendig, um eine Überhitzung zu vermeiden und die Systemstabilität beizubehalten.
- Stellen Sie sicher, dass Ihr Kühlkörper eine feste Verbindung mit der CPU hergestellt hat, bevor Sie Ihr System starten.
- Überhitzung beschädigt die CPU und das System nachhaltig. Stellen Sie stets eine korrekte Funktionsweise des CPU Kühlers sicher, um die CPU vor Überhitzung zu schützen. Stellen Sie sicher, dass eine gleichmäßige Schicht thermischer Paste oder thermischen Tapes zwischen der CPU und dem Kühlkörper vorhanden ist, um die Wärmeableitung zu erhöhen.
- Verwenden Sie bitte die Installationsanweisung des Kühlkörpers/Kühlers, falls Sie eine separate CPU oder einen Kühlkörper/ Kühler erworben haben.
- Dieses Motherboard wurde so entworfen, dass es Übertakten unterstützt. Stellen Sie jedoch bitte sicher, dass die betroffenen Komponenten mit den abweichenden Einstellungen während des Übertaktens zurecht kommen. Von jedem Versuch des Betriebes außerhalb der Produktspezifikationen kann nur abgeraten werden. MSI übernimmt keinerlei Garantie für die Schäden und Risiken, die aus einem unzulässigem Betrieb oder einem Betrieb außerhalb der Produktspezifikation resultieren.

## DIMM Steckplätze



## Speichermodul-Installationsempfehlung

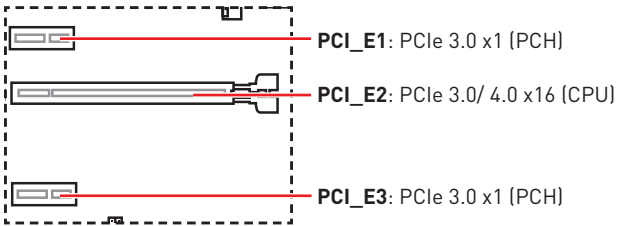


### **Wichtig**

- Aufgrund der Chipsatzressourcennutzung wird die verfügbare Kapazität des Speichers kleiner sein als die Größe der installierten Speicherkapazität.
- Basierend auf der Prozessorspezifikation wird eine Speicherspannung unter 1,35 Volt vorgeschlagen, um der Prozessor zu schützen.
- Speichermodule können auf Basis der offiziellen Spezifikation der AM4 CPU/ Speicher-Controller mit einer niedrigeren Frequenz unter dem Standardzustand arbeiten.
- Weitere Informationen zu kompatiblen Speichermodulen finden Sie unter: <http://www.msi.com>



## PCI\_E1~3: PCIe Erweiterungssteckplätze

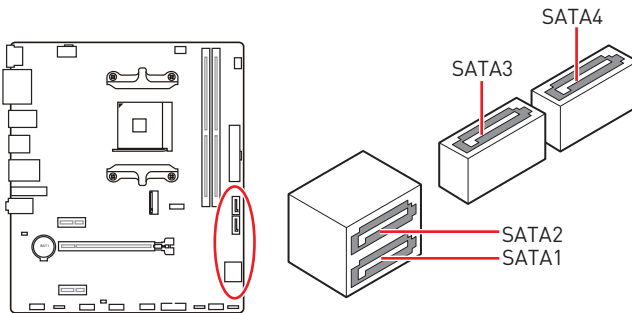


### Wichtig

- Wenn Sie eine große und schwere Grafikkarte einbauen, benötigen Sie einen **Grafikkarten-Stabilisator (Graphics Card Bolster)** der das Gewicht trägt und eine Verformung des Steckplatzes vermeidet.
- Achten Sie darauf, dass Sie den Strom abschalten und das Netzkabel aus der Steckdose herausziehen, bevor Sie eine Erweiterungskarte installieren oder entfernen. Lesen Sie bitte auch die Dokumentation der Erweiterungskarte, um notwendige zusätzliche Hardware oder Software-Änderungen zu überprüfen.

## SATA1~4: SATA 6Gb/s Anschlüsse

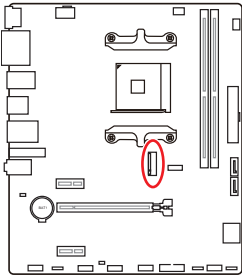
Dieser Anschluss basiert auf der Hochgeschwindigkeitsschnittstelle SATA 6 Gb/s. Pro Anschluss kann ein SATA Gerät angeschlossen werden.



### Wichtig

- Knicken Sie das SATA-Kabel nicht in einem 90° Winkel. Datenverlust könnte die Folge sein.
- SATA-Kabel haben identische Stecker an beiden Enden. Es wird empfohlen den flachen Stecker auf dem Motherboard einstecken.

## M2\_1: M.2 Steckplatz (Key M)



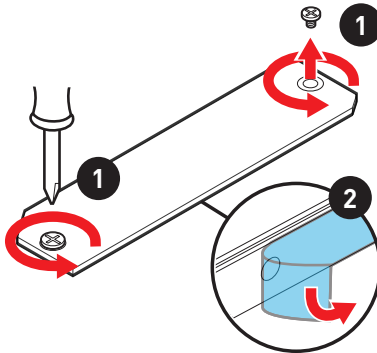
### **Video-Demonstration**

Eine anschauliche Darstellung zur Installation eines M.2 Moduls finden Sie im Video.

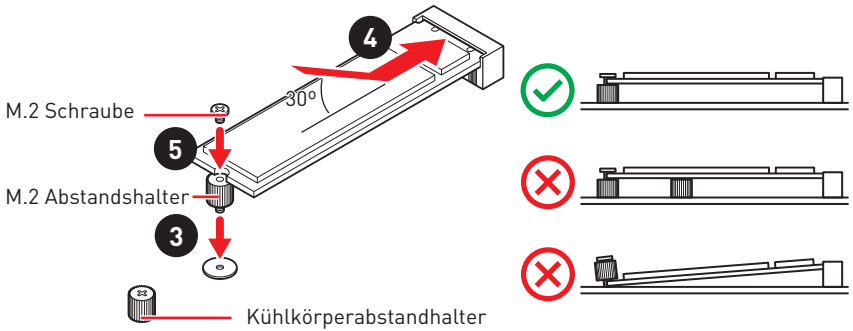
<http://youtu.be/JCTFABYtrYA>

### **Installation eines M.2 Moduls**

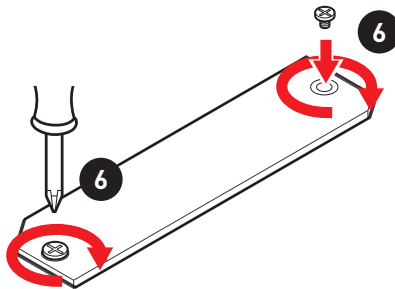
1. Lösen Sie die Schraube des M.2-SHIELD FROZR.
2. Entfernen den M.2-SHIELD FROZR und entfernen Sie die Schutzfolie von den Wärmeleitpads.



3. Entfernen Sie den M.2-Abstandshalter und befestigen Sie ihn an der entsprechenden Position Ihrer M.2-SSD. Zur Vermeidung von Schäden der M.2 SSD: Wenn die M.2-SSD dieselbe Länge wie der M.2-Steckplatz aufweist, entfernen Sie den Abstandhalter unter der M.2-SSD.
4. Stecken Sie eine M.2-SSD im 30-Grad-Winkel in den M.2-Steckplatz.
5. Schrauben Sie den M.2 SSD mit M.2-Schraube oder überspringen Sie diesen Schritt, wenn Sie den M.2-Abstandshalter in Schritt 3 entfernen

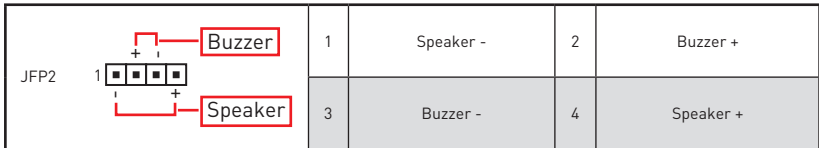
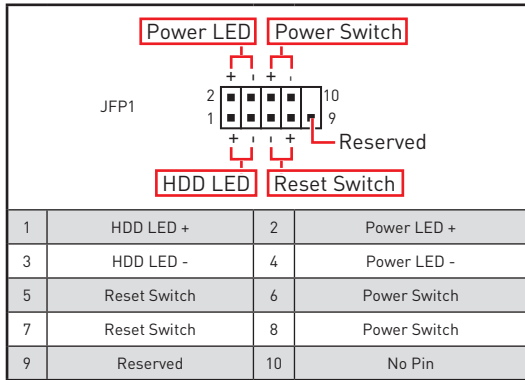
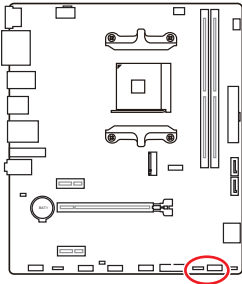


6. Setzen Sie den M.2 SHIELD FROZR-Kühlkörper wieder ein und sichern Sie ihn.



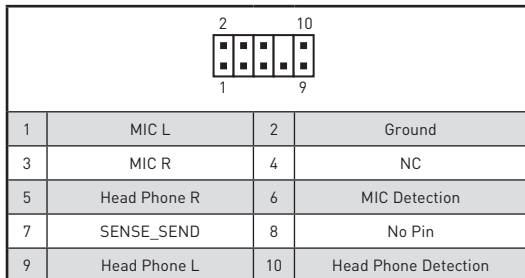
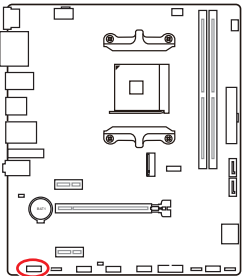
## JFP1, JFP2: Frontpanel-Anschlüsse

Diese Anschlüsse verbinden die Schalter und LEDs des Frontpanels.



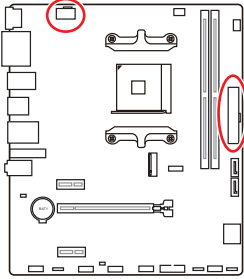
## JAUD1: Audioanschluss des Frontpanels

Dieser Anschluss ermöglicht den Anschluss von Audiobuchsen eines Frontpanels.



## CPU\_PWR1, ATX\_PWR1: Stromanschlüsse

Mit diesen Anschlüssen verbinden Sie die ATX Stromstecker.



1	Ground	5	+12V
2	Ground	6	+12V
3	Ground	7	+12V
4	Ground	8	+12V

1	+3.3V	13	+3.3V
2	+3.3V	14	-12V
3	Ground	15	Ground
4	+5V	16	PS-ON#
5	Ground	17	Ground
6	+5V	18	Ground
7	Ground	19	Ground
8	PWR OK	20	Res
9	5VSB	21	+5V
10	+12V	22	+5V
11	+12V	23	+5V
12	+3.3V	24	Ground

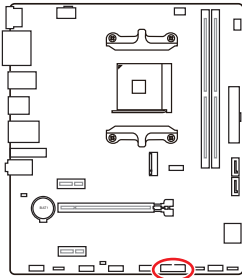


### Wichtig

Stellen Sie sicher, dass alle Anschlüsse mit den richtigen Anschlüssen des Netzteils verbunden sind, um einen stabilen Betrieb der Hauptplatine sicherzustellen.

## JUSB3: USB 3.2 Gen 1 5Gbit/s Anschluss

Mit diesem Anschluss können Sie den USB 3.2 Gen 1 5Gbit/s Anschluss auf dem Frontpanel verbinden.



1	Power	11	USB2.0+
2	USB3_RX_DN	12	USB2.0-
3	USB3_RX_DP	13	Ground
4	Ground	14	USB3_TX_C_DP
5	USB3_TX_C_DN	15	USB3_TX_C_DN
6	USB3_TX_C_DP	16	Ground
7	Ground	17	USB3_RX_DP
8	USB2.0-	18	USB3_RX_DN
9	USB2.0+	19	Power
10	Ground	20	No Pin

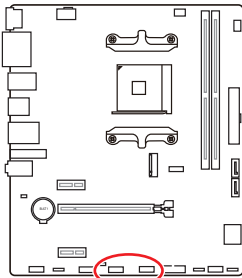


### Wichtig

Bitte beachten Sie, dass Sie die mit „Stromführende Leitung“ und „Erdleitung“ bezeichneten Pins korrekt verbinden müssen, ansonsten kann es zu Schäden kommen.

## JUSB1~2: USB 2.0 Anschlüsse

Mit diesen Anschlüssen können Sie die USB 2.0 Anschlüsse auf dem Frontpanel verbinden.



1	VCC	2	VCC
3	USB0-	4	USB1-
5	USB0+	6	USB1+
7	Ground	8	Ground
9	No Pin	10	NC

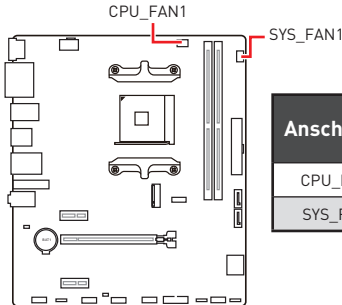


### Wichtig

- Bitte beachten Sie, dass Sie die mit VCC (Stromführende Leitung) und Ground (Erdleitung) bezeichneten Pins korrekt verbinden müssen, ansonsten kann es zu Schäden kommen.
- Um ein iPad, iPhone und einen iPod über USB-Anschlüsse aufzuladen, installieren Sie bitte die MSI® DRAGON CENTER Software.

## CPU\_FAN1, SYS\_FAN1: Stromanschlüsse für Lüfter

Diese Anschlüsse können im PWM (Pulse Width Modulation) Modus oder Spannungsmodus betrieben werden. Im PWM-Modus bieten die Lüfteranschlüsse konstante 12V Ausgang und regeln die Lüftergeschwindigkeit per Drehzahlsteuersignal. Im DC-Modus bestimmen die Lüfteranschlüsse die Lüftergeschwindigkeit durch Ändern der Spannung. Dieses Motherboard kann den PWM- und DC-Modus automatisch erfassen. Folgen Sie den folgenden Anweisungen, um den PWM- oder DC-Modus manuell auszuwählen.



Anschluss	Standard-lüftermodus	Max. Strom	Max. Leistung
CPU_FAN1	Auto-Modus	2A	24W
SYS_FAN1	DC-Modus	1A	12W

## Umschalten des Lüfter-Modus und Anpassung der Lüfterdrehzahl

Sie können unter **BIOS > HARDWARE MONITOR** zwischen dem PWM- und DC-Modus umschalten und die Lüfterdrehzahl ändern.

Wählen Sie den **PWM-** oder **DC-**Modus aus



Die Gradientenpunkte des Lüfterverlaufs erlauben die Anpassung der Lüfterdrehzahl in Abhängigkeit von der CPU-Temperatur.



**Überprüfen Sie die ordnungsgemäße Funktion der Lüfter nach dem Umschalten des PWM-/ DC-Modus.**

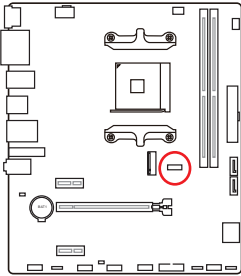
## Pin-Belegung der Lüfteranschlüsse

Pin-Belegung des PWM-Modus			
1	Ground	2	+12V
3	Sense	4	Speed Control Signal

Pin-Belegung des DC-Modus			
1	Ground	2	Voltage Control
3	Sense	4	NC

## JTPM1: TPM Anschluss

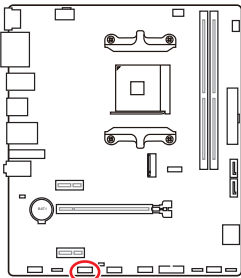
Dieser Anschluss wird für das TPM Modul (Trusted Platform Module) verwendet. Weitere Informationen über den Einsatz des optionalen TPM Modules entnehmen Sie bitte dem TPM Plattform Handbuch.



1	SPI Power	2	SPI Chip Select
3	Master In Slave Out (SPI Data)	4	Master In Slave In (SPI Data)
5	Reserved	6	SPI Clock
7	Ground	8	SPI Reset
9	Reserved	10	No Pin
11	Reserved	12	Interrupt Request

## JCOM1: Serieller Anschluss

Mit diesem Anschluss können Sie das optionale serielle Schnittstelle mit dem Einbausatz verbinden.

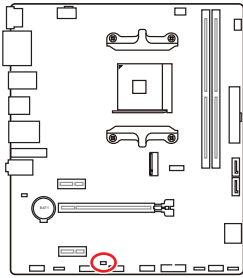


1	DCD	2	SIN
3	SOUT	4	DTR
5	Ground	6	DSR
7	RTS	8	CTS
9	RI	10	No Pin



## JCI1: Gehäusekontaktanschluss

Dieser Anschluss wird mit einem Kontaktschalter verbunden.



  
Normal  
(Standardwert)

  
Löse den  
Gehäuseeingriff aus

### Gehäusekontakt-Detektor verwenden

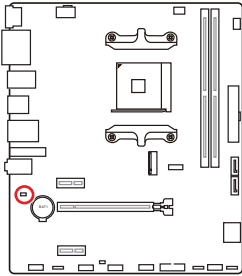
1. Schließen Sie den **JCI1**-Anschluss am Gehäusekontakt-Schalter/ Sensor am Gehäuse an.
2. Schließen Sie die Gehäuseabdeckung.
3. Gehen Sie zu **BIOS > SETTINGS > Security > Chassis Intrusion Configuration**.
4. Stellen Sie **Chassis Intrusion** auf **Enabled**.
5. Drücken Sie **F10** zum Speichern und Beenden und drücken Sie dann die **Enter**-Taste, um **Ja** auszuwählen.
6. Bei eingeschaltetem Computer wird eine Warnmeldung auf dem Bildschirm angezeigt, wenn die Gehäuseabdeckung wieder geöffnet wird.

### Gehäusekontakt-Warnung zurücksetzen

1. Gehen Sie zu **BIOS > SETTINGS > Security > Chassis Intrusion Configuration**.
2. Stellen Sie **Chassis Intrusion** auf **Reset**.
3. Drücken Sie **F10** zum Speichern und Beenden und drücken Sie dann die **Enter**-Taste, um **Ja** auszuwählen.

## JBAT1: Clear CMOS Steckbrücke (Reset BIOS)

Der Onboard CMOS Speicher (RAM) wird durch eine externe Spannungsversorgung durch eine Batterie auf dem Motherboard versorgt, um die Daten der Systemkonfiguration zu speichern. Wenn Sie die Systemkonfiguration löschen wollen, müssen Sie die Steckbrücke für kurze Zeit umsetzen.



Daten  
beibehalten  
(Standardwert)



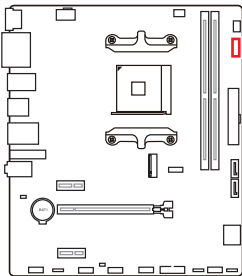
CMOS-Daten  
löschen/ Reset  
des BIOS

### Rücksetzen des BIOS auf Standardwerte

1. Schalten Sie den Computer ab und ziehen Sie das Netzkabel ab.
2. Verwenden Sie eine Steckbrücke, um **JBAT1** für 5-10 Sekunden kurzzuschließen.
3. Entfernen Sie die Steckbrücke von **JBAT1**.
4. Stecken Sie das Kabel Ihres Computers in die Steckdose hinein und schalten Sie den Computer ein.

### EZ Debug LED

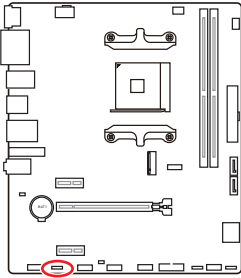
Diese LEDs zeigen den Debug-Status des Motherboards an.



- CPU** - CPU wird nicht erkannt oder ist fehlerhaft.
- DRAM** - DRAM wird nicht erkannt oder ist fehlerhaft.
- VGA** - GPU/ PCIE/ M.2 Gerät wird nicht erkannt oder ist fehlerhaft.
- BOOT** - Boot-Gerät wird nicht erkannt oder ist fehlerhaft.

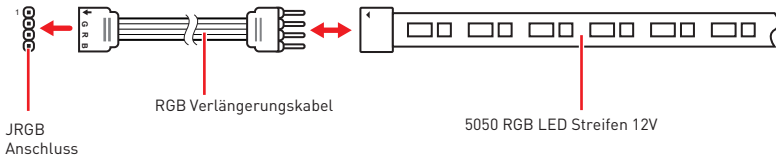
## JRGB1: RGB LED Anschluss

Mit dem JRGB Anschluss können Sie den 5050 RGB-LED-Streifen (12 V) anschließen.

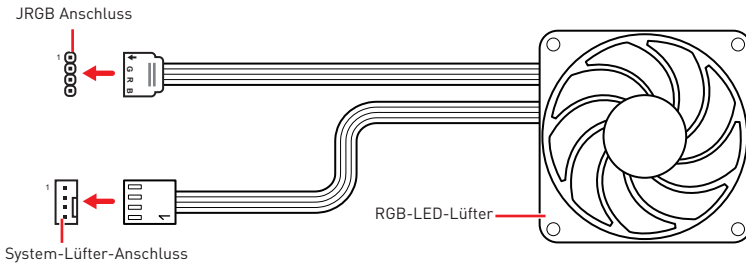


1			
1	+12V	2	G
3	R	4	B

### RGB-LED-Streifen anschließen



### RGB-LED-Lüfteranschluss

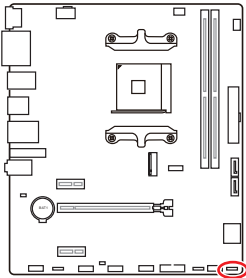


### **Wichtig**

- Der JRGB Anschluss unterstützt bis zu 2 Metern 5050 RGB LED-Streifen (12V/G/R/B) mit der maximalen Leistung von 3 A (12 V).
- Schalten Sie die Stromversorgung aus und ziehen Sie das Netzkabel ab, bevor Sie die RGB-LED-Streifen ein- und ausbauen.
- Bitte verwenden Sie die MSI-Software zur Steuerung des LED-Leuchtstreifens.

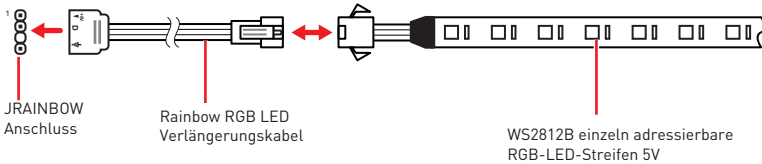
## JRAINBOW1: Adressierbarer RGB LED Anschluss

JRAINBOW ermöglicht den Anschluss von WS2812B einzeln adressierbaren RGB-LED-Streifen (5 V).

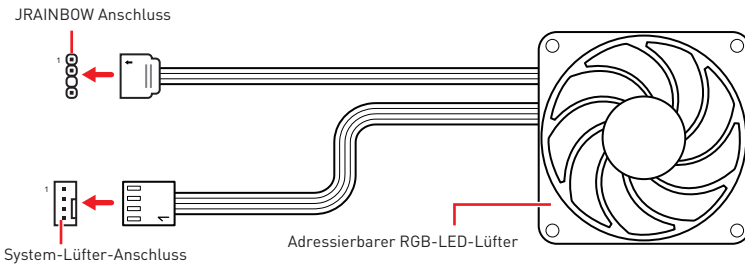


1			
1	+5V	2	Data
3	No Pin	4	Ground

### Adressierbarer RGB-LED-Streifen anschließen



### Adressierbarer RGB-LED-Lüfteranschluss



### **! ACHTUNG**

Schließen Sie nur passende LED-Streifen an. Der JRGB- und der JRAINBOW-Anschluss verfügen über unterschiedliche Spannungen. Der Anschluss eines 5 V LED-Streifens an den JRGB-Anschluss führt zu einer Beschädigung des LED-Streifens.

### **! Wichtig**

- Der JRAINBOW Anschluss unterstützt bis zu 75 LEDs WS2812B einzeln adressierbare RGB-LED-Streifen (5 V/ Daten/ Erdung) mit der maximalen Leistung von 3 A (5 V). Bei einer Helligkeit von 20 Prozent unterstützt dieser Anschluss bis zu 200 LEDs.
- Schalten Sie die Stromversorgung aus und ziehen Sie das Netzkabel ab, bevor Sie die RGB-LED-Streifen ein- und ausbauen.
- Bitte verwenden Sie die MSI-Software zur Steuerung des LED-Leuchtbereichs.

# Installation von OS, Treibern und Utilities

Laden Sie die neuesten Treiber und Dienstprogramme von [www.msi.com](http://www.msi.com) herunter und aktualisieren Sie sie

## Installation von Windows® 10

1. Schalten Sie den Computer ein.
2. Legen Sie die Windows® 10 Disk oder das USB-Flashlaufwerk in das optische Laufwerk.
3. Drücken Sie die Taste **Restart** auf dem Computergehäuse.
4. Drücken Sie die **F11**-Taste während des POST-Vorgangs (Power-On Self Test), um das Bootmenu zu öffnen.
5. Wählen Sie die Windows® 10-Installation-Disk/USB aus dem Bootmenu.
6. Wenn eine entsprechende Meldung **Press any key to boot from CD or DVD...** angezeigt wird, drücken Sie eine beliebige Taste.
7. Folgen Sie den Anweisungen auf dem Bildschirm, um das Dienstprogramm „Windows® 10“ zu installieren.

## Installation von Treibern

1. Starten Sie Ihren Computer mit Windows® 10.
2. Legen Sie die MSI® Treiber Disk in das optische Laufwerk.
3. Klicken Sie auf die Pop-up-Meldung **Wählen Sie eine Aktion für Wechseldatenträger aus** und wählen Sie **DVDSetup.exe starten** aus, um den Installer zu öffnen. Wenn Sie die AutoPlay-Funktionen in der Windows-Systemsteuerung ausschalten, können Sie das Programm **DVD Setup.exe** im Hauptverzeichnis der MSI Treiber CD auch manuell ausführen.
4. Der Installer wird findet eine Liste aller benötigten Treiber auf der **Treiber/Software**-Registerkarte.
5. Klicken Sie auf **Install** in der rechten unteren Ecke des Fensters.
6. Die Treiber-Installation läuft. Wenn die Installation abgeschlossen ist, werden Sie dazu aufgefordert, den Computer neu zu starten.
7. Klicken Sie zum Beenden auf **OK**.
8. Starten Sie Ihren Computer neu.

## Installation von Utilities

Bevor Sie Anwendungen installieren, müssen Sie die Treiber-Installation vollständig beendet haben.

1. Öffnen Sie den Installer wie beschrieben.
2. Klicken Sie auf **Utilities**.
3. Wählen Sie die Dienstprogramme, die installiert werden soll.
4. Klicken Sie die Taste **Install** in der rechten unteren Ecke des Fensters.
5. Die Utilities-Installation ist im Gange. Wenn die Installation abgeschlossen ist, werden Sie dazu aufgefordert, den Computer neu zu starten.
6. Klicken Sie zum Beenden auf **OK**.
7. Starten Sie Ihren Computer neu.

# UEFI BIOS

Das MSI UEFI-BIOS ist mit der UEFI-Architektur (Unified Extensible Firmware Interface) kompatibel. UEFI hat viele neue Funktionen und besitzt Vorteile, die das traditionelle BIOS nicht bieten kann. UEFI wird das BIOS in Zukunft vollständig ersetzen. Das MSI UEFI-BIOS verwendet UEFI als Standard-Startmodus, um die Funktionen des neuen Chipsatzes voll auszunutzen. Es verfügt jedoch weiterhin über einen CSM-Modus (Compatibility Support Module), der mit älteren Geräten kompatibel ist. Auf diese Weise können Sie ältere Geräte nachträglich durch UEFI-kompatible Geräte ersetzen.



## Wichtig

Der Begriff „BIOS“ bezieht sich in diesem Benutzerhandbuch auf das UEFI-BIOS, sofern nicht anders angegeben.

## Vorteile von UEFI

- Schnelles Booten - UEFI kann das Betriebssystem direkt booten und den BIOS-Selbsttestprozess speichern. Außerdem entfällt die Zeit, um während des POST in den CSM-Modus zu wechseln.
- Unterstützt Festplattenpartitionen, die größer als 2 TB sind.
- Unterstützt mehr als 4 primäre Partitionen mit einer GUID-Partitionstabelle (GPT).
- Unterstützt eine unbegrenzte Anzahl an Partitionen.
- Unterstützt den vollen Funktionsumfang neuer Geräte – neue Geräte bieten möglicherweise keine Abwärtskompatibilität.
- Unterstützt sicheren Start – UEFI kann die Gültigkeit des Betriebssystems überprüfen, um sicherzustellen, dass keine Malware den Startvorgang beeinträchtigt.

## Inkompatible UEFI-Fälle

- **32-Bit-Windows-Betriebssystem** - Dieses Motherboard unterstützt nur das 64-Bit-Windows 10-Betriebssystem.
- **Ältere Grafikkarten** - Das System erkennt Ihre Grafikkarte. Bei Erkennung einer nicht kompatiblen Grafikkarte wird die Warnmeldung **Auf dieser Grafikkarte wurde keine GOP-Unterstützung (Graphics Output Protocol) erkannt** erkannt.

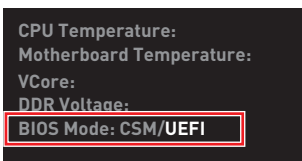


## Wichtig

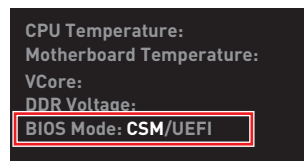
Wir empfehlen Ihnen, eine GOP / UEFI-kompatible Grafikkarte zu nutzen.

## Wie überprüfe ich den BIOS-Modus?

Suchen Sie nach dem Aufrufen des BIOS den BIOS-Modus oben auf dem Bildschirm.



UEFI-Startmodus



CSM-Startmodus

## BIOS Setup

Die Standardeinstellungen bieten die optimale Leistung für die Systemstabilität unter Normalbedingungen. Sie sollten **immer die Standardeinstellungen behalten**, um mögliche Schäden des Systems oder Boot-Fehler zu vermeiden, außer Sie besitzen ausreichende BIOS Kenntnisse.



### **Wichtig**

- *BIOS Funktionen werden für eine bessere Systemleistung kontinuierlich aktualisiert. Deswegen können die Beschreibungen leicht von der letzten Fassung des BIOS abweichen und sollten demnach nur als Anhaltspunkte dienen. Für eine Beschreibung der BIOS Funktionen rufen Sie die **HELP** Informationstafel aus.*
- *Die Bilder in diesem Kapitel stellen lediglich Referenzen dar und können von dem von Ihnen erworbenen Produkt abweichen.*
- *Die BIOS-Funktion variiert je nach dem Prozessor.*

## Öffnen des BIOS Setups

Während des BOOT-Vorgangs drücken Sie die Taste **ENTF**, wenn die Meldung **Press DEL key to enter Setup Menu, F11 to enter Boot Menu** erscheint.

### Funktionstasten

- F1:** Allgemeine Hilfe
  - F2:** Hinzufügen/Entfernen eines Favoritenpunkts
  - F3:** Öffnen des Favoriten Menüs
  - F4:** Öffnen des Menüs CPU-Spezifikationen
  - F5:** Öffnen des Memory-Z Menüs
  - F6:** Laden der ursprünglichen Setup-Standardwerte
  - F7:** Wechselt zwischen dem Erweiterten-Modus und EZ-Modus
  - F8:** OC-Profil wird vom USB-Stick geladen
  - F9:** OC-Profil wird auf einem USB-Stick gespeichert
  - F10:** Speichern oder Zurücksetzen der Änderungen\*
  - F12:** Macht einen Screenshot und speichert auf einen FAT/FAT32-USB-Laufwerk.
- Strg+F:** Öffnet die Suchseite

\* Beim Drücken der F10 Taste wird das Fenster zum Speichern der Einstellungen angezeigt. Wählen Sie **Yes**, um die Wahl zu bestätigen, oder **No**, um die derzeitige Einstellung beizubehalten.

## Reset des BIOS

Sie können die Werkseinstellung wieder herstellen, um bestimmte Probleme zu lösen. Es gibt verschiedene Möglichkeiten, um das BIOS zurückzusetzen:

- Öffnen Sie das BIOS und drücken Sie **F6**, um optimierten Einstellungen zu laden.
- Schließen Sie die **Clear CMOS Steckbrücke** an das Motherboard an.
- Drücken Sie die **Clear CMOS Taste** an das Motherboard.



Bitte lesen Sie für Informationen zum BIOS-Reset im Bereich „**Clear CMOS Steckbrücke**“ nach.

## Aktualisierung des BIOS

### Aktualisierung des BIOS mit dem M-FLASH-Programm

Vorbereitung:

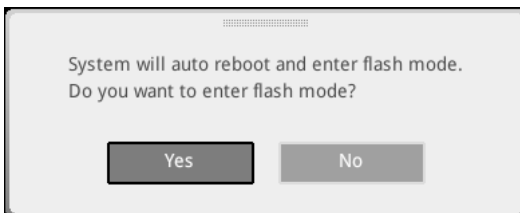
Laden Sie bitte die neueste BIOS Version, die dem Motherboard-Modell entspricht, von der offiziellen MSI Website herunter und speichern Sie die BIOS-Datei auf USB-Flash-Laufwerk.

BIOS-Aktualisierungsschritte:

1. Schließen das USB-Flashlaufwerk mit der BIOS-Datei an den Computer.
2. Bitte folgen Sie den nachfolgenden Schritten, um in den Blitz-Modus zu schalten.
  - Beim Neustart drücken Sie während des POST-Vorgangs die Taste **Ctrl + F5** und klicken Sie auf **Yes (Ja)**, um das System neu zu starten.

Press <Ctrl+F5> to activate M-Flash for BIOS update.

- Beim Neustart drücken Sie während des POST-Vorgangs die Taste **Del (Entf)** während des POST-Vorgangs die Taste. Klicken Sie die Taste **M-FLASH** und klicken Sie auf **Yes (Ja)**, um das System neu zu starten.



3. Wählen Sie die BIOS-Datei zur Durchführung des BIOS-Aktualisierungsprozesses aus.
4. Klicken Sie auf **Ja**, wenn Sie dazu aufgefordert werden, um die Wiederherstellung des BIOS zu starten.
5. Nachdem das Flashen des BIOS vollständig ist, startet das System automatisch neu.



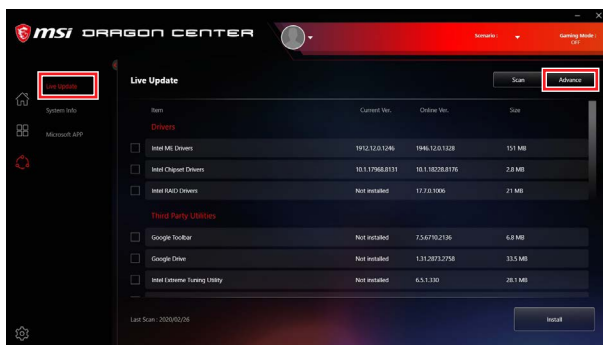
## Aktualisierung des BIOS mit MSI DRAGON CENTER

Vorbereitung:

Stellen Sie sicher, dass zuvor die LAN-Treiber installiert wurden und eine Internetverbindung eingerichtet ist.

Schritte zur Aktualisierung des BIOS:

1. Installieren und starten Sie „MSI DRAGON CENTER“ und gehen Sie zur **Support**-Seite.
2. Wählen Sie **Live Update** aus und klicken Sie auf die Schaltfläche **Advance**.



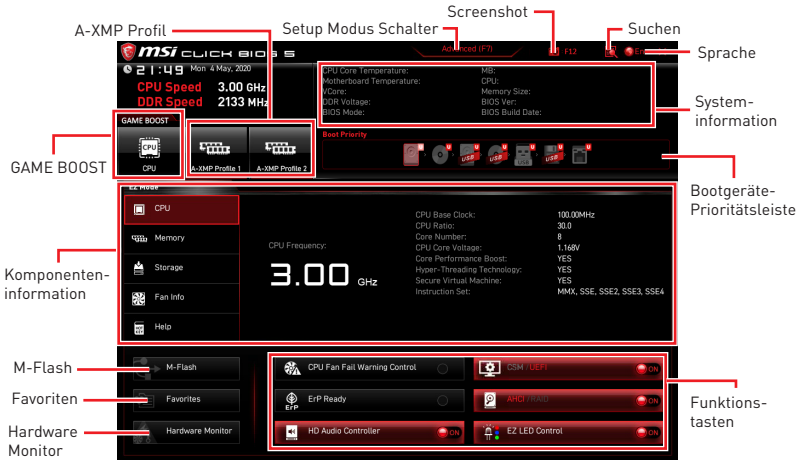
3. Klicken Sie auf die Schaltfläche **Scan**, um die neueste BIOS-Datei zu suchen.
4. Wählen Sie die BIOS-Datei aus und klicken Sie auf das **Download**-Symbol, um die neueste BIOS-Datei herunterzuladen und zu installieren.
5. Klicken Sie auf **Next (Weiter)** und wählen Sie **In Windows Mode** aus. Und klicken dann auf **Next (Weiter)** und **Start (Starten)**, um das BIOS-Update zu starten.
6. Nachdem das Flashen des BIOS vollständig ist, startet das System automatisch neu.

## Aktualisierung des BIOS mit Flash BIOS Taste

1. Laden Sie bitte die neueste BIOS Version, die das Modell des Motherboards entspricht, von der offiziellen MSI® Website.
2. Benennen die BIOS-Datei im **MSI.ROM** um und speichern Sie die Datei im Root-Verzeichnis des USB-Flash-Speichers.
3. Verbinden Sie die Stromversorgung an dem **CPU\_PWR1** und **ATX\_PWR1**-Stecker. (Sie benötigen keine CPU und keinen Speicher zu installieren)
4. Stecken Sie das USB-Flashlaufwerk, das die MSI.ROM-Datei enthält, in dem Anschluss des **Flash BIOS** auf der Rückseite E/A des Panels ein.
5. Drücken Sie die Taste **Flash BIOS**, um das BIOS zu flashen, nun beginnt die **Flash BIOS LED** zu blinken.
6. Nachdem das Flashen des BIOS vollständig ist, erlischt die Flash BIOS LED.

## EZ Modus

Im EZ-Modus können Sie die Grundinformationen des Systems einsehen und grundlegende Einstellungen konfigurieren. Um sich die erweiterten BIOS-Einstellungen anzeigen zu lassen, aktivieren Sie bitte den Erweiterten Modus durch Drücken des **Setup Modus Schalter** oder der Funktionstaste **F7**.



- **GAME BOOST** - Klicken Sie den Schalter, um GAME BOOST für OC zu wechseln. Diese Funktion kann nur dann genutzt werden, wenn sowohl das Motherboard als auch die CPU diese Funktion unterstützen.

### **Wichtig**

- Bitte ändern Sie keine Werte im BIOS-Menü während **GAME BOOST** aktiviert ist, um die optimale Leistung und Systemstabilität zu erhalten.

- **A-XMP Profil** - Mit dieser Option können Sie das A-XMP-Profil auswählen, dessen Speicher übertaktet werden soll. Diese Funktion steht nur zur Verfügung, wenn das System, Speicher und CPU die XMP-Technik unterstützen.

- **Setup Modus Schalter** - Mit dieser Registerkarte oder der **F7**-Taste können Sie zwischen dem Erweiterten-Modus und EZ-Modus wechseln.

- **Screenshot** - Wählen Sie diese Registerkarte oder betätigen Sie die **F12**-Taste, um einen Screenshot zu machen und auf einen FAT/FAT32-USB-Laufwerk zu speichern.

- **Suchen** - Klicken Sie auf diese Registerkarte oder die **Strg+F** Taste um die Suchseite anzuzeigen. Mit der Funktion können Sie durch Eingabe eines Suchbegriffs nach BIOS-Einträgen suchen. Bewegen Sie den Mauszeiger über einen freien Bereich und klicken Sie mit der rechten Maustaste, um die Suchseite zu schließen.

### **Wichtig**

Auf der Suchseite stehen nur die **F6**-, **F10**- und **F12**-Funktionstasten zur Verfügung.

- **Sprache** - Hier können Sie die Sprache der BIOS-Einstellungen auswählen.

- **Systeminformationen** - Diese zeigt CPU/ DDR-Frequenz, CPU/ MB-Temperatur, MB/ CPU-Typ, Speicherkapazität, CPU/ DDR-Spannung, BIOS-Version und Erstellungs-Datum.
- **Boot-Geräte Prioritätsliste** - Sie können die Gerätesymbole verschieben, um die Startreihenfolge zu ändern. Die Bootreihenfolge sind mit "hoch"(links) bis "niedrig" (rechts) bezeichnet.
- **Komponenteninformation** - Klicken Sie auf die Schaltfläche **CPU, Memory, Storage, Fan Info** und **Help** auf der linken Seite, um die Informationen der angeschlossenen Komponente anzuzeigen.
- **Funktionstasten** - Aktivieren oder deaktivieren Sie diese Funktionen durch Anklicken der Schaltfläche. Die Funktion ist aktiviert, wenn die Taste Auf **EIN** anzeigt.



### Wichtig

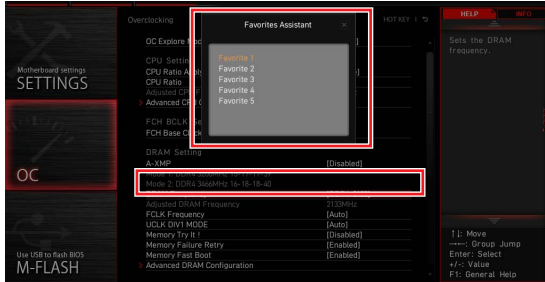
Die Funktionstasten variieren je nach erworbenem Motherboard.

- **M-Flash** - Ein Klick auf diese Schaltfläche öffnet **M-Flash** mit dem Sie das BIOS mit einem USB-Flash-Laufwerk aktualisieren.
- **Hardware Monitor** - Ein Klick auf diese Schaltfläche öffnet das Menü des **Hardware Monitor** mit dem Sie die Lüfterdrehzahl in Prozent manuell steuern.
- **Favoriten** - Klicken Sie auf diese Schaltfläche oder drücken Sie die Taste **F3**, um das Fenster **Favoriten** anzuzeigen. Es bietet fünf Menüs zum Erstellen eines persönlichen BIOS-Menüs, in dem Sie bevorzugte/ häufig verwendete BIOS-Einstellungsoptionen speichern und darauf zugreifen können.



## ▪ Um ein BIOS-Punkte zu einer Favoritenmenü hinzufügen

1. Sie können nicht nur über einen Eintrag im BIOS-Menü sondern auch auf der Suchseite auswählen.
2. Klicken Sie mit der rechten Maustaste oder drücken Sie die Taste **F2**.
3. Wählen Sie die gewünschte Seite aus und klicken Sie auf **OK**.



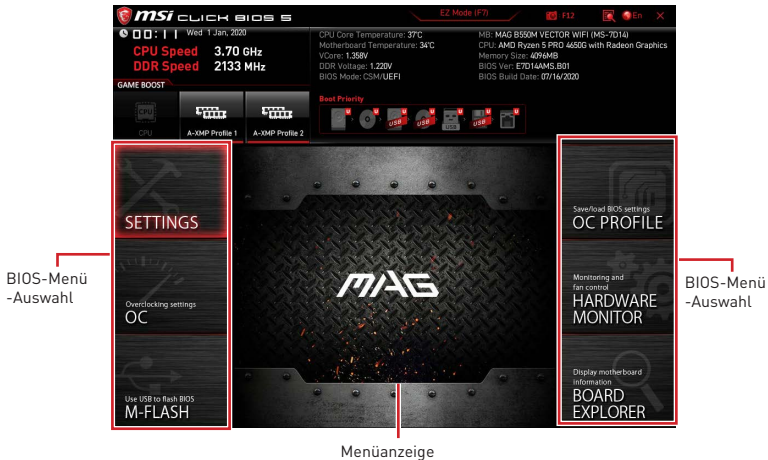
## ▪ Um ein BIOS-Punkte von Favoritenmenü zu löschen

1. Wählen Sie einen BIOS-Eintrag auf einer Favoritenmenü.
2. Klicken Sie mit der rechten Maustaste oder drücken Sie die Taste **F2**.
3. Wählen Sie **Delete** aus und klicken Sie auf **OK**.



## Erweiterter Modus

Drücken Sie den **Setup Modus Schalter** oder die Funktionstaste **F7**, um zwischen dem EZ-Modus und Erweiterten-Modus im BIOS-Setup zu wechseln.



- **BIOS-Menü-Auswahl** - Die folgenden Optionen stehen zur Verfügung.
  - **SETTINGS** - Mit diesem Menü können Sie die Parameter für Chipsatz, Boot-Geräte angeben.
  - **OC** - Hier können Sie die Frequenz und Spannung anpassen. Die Erhöhung der Frequenz kann eine bessere Leistung erreichen.
  - **M-FLASH** - M-Flash erlaubt es, das BIOS mit einem USB-Flash-Laufwerk zu aktualisieren.
  - **OC PROFILE** - In diesem Menü werden die verschiedenen Overclocking-Profile gespeichert.
  - **HARDWARE MONITOR** - Hier können Sie die Geschwindigkeiten der Lüfter anpassen und die Spannungen des Systems überwachen.
  - **BOARD EXPLORER** - Zeigt Ihnen Informationen über Geräte an, die an das Mainboard angeschlossen sind.
- **Menüanzeige** - Dieser Bereich ermöglicht die Konfiguration von BIOS Einstellungen.

## OC Menü

In diesem Menü können Sie die Frequenzen und Spannungen für das Übertakten konfigurieren. Bitte beachten Sie, dass höhere Frequenzen und Spannungen die Übertaktungsfähigkeit verbessern können, jedoch zu einer Instabilität des Systems führen.



### Wichtig

- Die Übertaktung ist nur für fortgeschrittene Benutzer zu empfehlen.
- Eine erfolgreiche Übertaktung ist nicht gewährleistet. Die Anwendung von Übertaktungsmaßnahmen kann zu Verlust der Garantie oder zur Beschädigung der Hardware führen.
- Falls Sie sich mit der Übertaktung nicht auskennen, empfehlen wir für einfaches Übertakten die **GAME BOOST** Funktion.
- Die BIOS-Funktionen im OC Menü werden abhängig von dem Prozessor variieren.

### ► OC Explore Mode [Normal]

Aktivieren oder deaktivieren Sie die Funktion, um die normale oder Expertenversion des OC-Einstellungen anzuzeigen.

[Normal] Bietet normale Übertaktungseinstellungen im BIOS-Setup.

[Expert] Bietet die erweiterten Übertaktungseinstellungen für den erfahrenen Benutzer, welche die Einstellungen im BIOS-Setup konfigurieren wollen.

Hinweis: Wir verwenden \* als Symbol für die Übertaktungseinstellungen des Erweiterten Modus.

### ► CPU Ratio Apply Mode [All Core]

Legt den Modus für den angepassten CPU-Multiplikator fest. Diese Option erscheint nur, wenn eine CPU installiert ist, die die Funktion **Turbo Boost** unterstützt.

### ► CPU Ratio [Auto]

Legen Sie den CPU-Multiplikator fest, um die CPU-Taktfrequenzen zu bestimmen. Diese Option kann nur geändert werden, wenn der Prozessor diese Funktion unterstützt.

### ► Advanced CPU Configuration

Drücken Sie die **Eingabetaste <Enter>**, um das Untermenü aufzurufen. Der Benutzer kann die Parameter für CPU-Leistung / Strom einstellen. Das System könnte nach dem Ändern des Parameters instabil werden oder nicht mehr booten. Wenn Instabilität auftritt, löschen Sie bitte die CMOS-Daten und stellen Sie die Standardeinstellungen wieder her.

### ► FCH Base Clock[MHz]

Hier können Sie die Grundtakt für the Fusion Controller Hub (FCH) festlegen. Wenn die Einstellung auf **Auto** gesetzt ist, wird das BIOS die Grundtakt automatisch einstellen oder Sie können es manuell einstellen.

### ► A-XMP [Disabled]

Aktivieren Sie die A-XMP Funktion oder wählen Sie ein Profil des Speichermoduls aus, um den Speicher zu übertakten. Diese Option erscheint nur, wenn die installierten Speichermodule/ das installierte Motherboard diese Funktion unterstützen.

### ► DRAM Frequency [Auto]

Setzen Sie die DRAM Frequenz. Bitte beachten Sie, dass ein zuverlässiges Übertaktungsverhalten nicht garantiert werden kann.

### ► Adjusted DRAM Frequency

Zeigt die Speicherfrequenz an. Nur Anzeige – keine Änderung möglich.

### ► FCLK Frequency [Auto]

Legt FCLK-Frequenz (Internal Data Fabric clock of DRAM) fest. Stellen Sie eine niedrigere FCLK-Frequenz ein, um die Einstellung der höheren Grundtakt-Frequenz zu machen.

### ► UCLK DIV1 Mode [Auto]

Legt den UCLK (Internal memory controller clock) Modus.

### ► Memory Try It ! [Disabled]

Die Option „Memory Try It!“ dient der Verbesserung der Speicherkompatibilität oder auch der Speicherleistung durch die Auswahl der optimierten Speicher-Voreinstellungen. Diese Option ist verfügbar, wenn der installierte Prozessor diese Funktion unterstützt.

### ► Memory Failure Retry [Enabled]

Aktiviert oder deaktiviert den Neustart des Systems mit den Standardeinstellungen, wenn die Speicher-OC fehlgeschlagen ist.

### ► Memory Fast Boot [Enabled]

Aktivieren oder deaktivieren Sie die die Initiierung und Prüfung des Speichers für jeden Boot.

### ► Advanced DRAM Configuration

Drücken Sie die **Eingabetaste <Enter>**, um das Untermenü aufzurufen. Der Anwender kann die Speicher-Timing für jeden Kanal des Speichers einstellen. Das System könnte nach dem Ändern der Speicher-Timings instabil werden oder nicht mehr booten. Wenn Instabilität auftritt, löschen Sie bitte die CMOS-Daten und stellen Sie die Standardeinstellungen wieder her. (Lesen Sie bitte den Abschnitt „Clear CMOS Steckbrücke/ Taste (optional)“, um die CMOS-Daten zu löschen, und die Standardeinstellungen auf das BIOS zu laden.)

### ► DigitALL Power sub-menu

Drücken Sie die **Eingabetaste <Enter>**, um das Untermenü aufzurufen. Im Untermenü können Sie einige Schutzbedingungen über Spannung/ Strom/ Temperatur für die CPU einstellen.

### ► CPU Voltages control [Auto]

Erlaubt das Einstellen der CPU-Spannungen. Wenn die Einstellung auf **Auto** gesetzt ist, wird das BIOS die Spannungen automatisch einstellen oder Sie können es manuell einstellen.

### ► DRAM Voltages control [Auto]

Erlaubt das Einstellen der DRAM-Spannungen. Wenn die Einstellung auf **Auto** gesetzt ist, wird das BIOS die Spannungen automatisch einstellen oder Sie können es manuell einstellen.

### ► **Memory Changed Detect [Enabled]\***

Aktiviert/Deaktiviert die Systemwarnmeldung beim Booten, wenn die CPU oder der Hauptspeicher ersetzt wurde.

[Enabled] Das System zeigt eine Warnmeldung beim Systemstart und lädt die Default-Einstellungen für neue Geräte.

[Disabled] Deaktivierung der Funktion und Beibehaltung der aktuellen BIOS-Einstellungen.

### ► **CPU Specifications sub-menu**

Drücken Sie die **Eingabetaste <Enter>**, um das Untermenü aufzurufen. Das Untermenü zeigt die Informationen der installierten CPU an. Zu diesen Informationen gelangen Sie, indem Sie die Taste [F4] drücken. Nur Anzeige.

### ► **MEMORY-Z sub-menu**

Drücken Sie die **Eingabetaste <Enter>**, um das Untermenü aufzurufen. Dieses Untermenü zeigt alle Einstellungen und Timings des installierten Speichers. Zu diesen Informationen gelangen Sie auch, indem Sie die Taste [F5] drücken.



# Table des matières

<b>Informations de sécurité</b> .....	<b>2</b>
<b>Spécifications</b> .....	<b>3</b>
<b>Contenu</b> .....	<b>8</b>
<b>Panneau arrière Entrée / Sortie</b> .....	<b>9</b>
Tableau explicatif de l'état de la LED du port LAN .....	9
Realtek Audio Console .....	9
<b>Vue d'ensemble des composants</b> .....	<b>12</b>
Socket processeur.....	13
Slots DIMM .....	14
PCI_E1~3 : Slots d'extension PCIe .....	15
SATA1~4 : Connecteurs SATA 6 Gb/s.....	15
M2_1 : Slot M.2 (Touche M) .....	16
JFP1, JFP2 : Connecteurs de panneau avant .....	18
JAUD1 : Connecteur audio avant.....	18
CPU_PWR1, ATX_PWR1 : Connecteurs d'alimentation.....	19
JUSB3 : Connecteur USB 3.2 Gen 1 5 Gb/s .....	20
JUSB1~2 : Connecteurs USB 2.0 .....	20
CPU_FAN1, SYS_FAN1 : Connecteurs de ventilateur .....	21
JTPM1 : Connecteur de module TPM.....	22
JCOM1 : Connecteur de port série .....	22
JCI1 : Connecteur intrusion châssis .....	23
JBAT1 : Cavalier Clear CMOS (Réinitialiser le BIOS).....	24
EZ Debug LED.....	24
JRGB1 : Connecteur LED RGB .....	25
JRAINBOW1 : Connecteur LED RGB adressable.....	26
<b>Installer OS, Pilotes et Utilitaires</b> .....	<b>27</b>
Installer Windows® 10 .....	27
Installer les pilotes.....	27
Installer les utilitaires .....	27
<b>UEFI BIOS</b> .....	<b>28</b>
Configuration du BIOS .....	29
Entrer dans l'interface Setup du BIOS .....	29
Réinitialiser le BIOS.....	30
Mettre le BIOS à jour .....	30
EZ Mode (mode simplifié).....	32
Advanced Mode (mode avancé) .....	35
OC Menu (menu overclocking) .....	36

# Informations de sécurité

- Les composants dans l'emballage peuvent être endommagés par des décharges électrostatiques (ESD). Pour vous assurer de correctement monter votre ordinateur, veuillez vous référer aux instructions ci-dessous.
- Assurez-vous de bien connecter tous les composants. En cas de mauvaise connexion, il se peut que l'ordinateur ne reconnaisse pas le composant et que le démarrage échoue.
- Veuillez tenir la carte mère par les bords pour éviter de toucher les composants sensibles.
- Il est recommandé de porter un bracelet antistatique lors de la manipulation de la carte mère pour prévenir tout dommage. Si vous n'avez pas de bracelet antistatique, touchez un objet métallique relié à la terre avant de manipuler la carte mère afin de vous décharger de votre charge statique. Touchez régulièrement l'objet métallique pendant toute la manipulation.
- Tant que la carte mère n'est pas installée, conservez-la dans un récipient protégé contre les ondes électrostatiques ou sur une couche antistatique.
- Avant de démarrer l'ordinateur, vérifiez si toutes les vis et les composants métalliques sont bien fixés sur la carte mère ou ailleurs dans le boîtier de l'ordinateur.
- Ne démarrez pas l'ordinateur avant d'avoir terminé l'installation. Ceci peut endommager les composants ou vous blesser.
- Si vous avez besoin d'aide pendant l'installation, veuillez consulter un technicien informatique certifié.
- Avant d'installer les composants d'ordinateur, veuillez toujours mettre hors tension et débrancher le cordon d'alimentation.
- Gardez ce manuel pour références futures.
- Protégez ce manuel contre l'humidité.
- Avant de brancher le bloc d'alimentation sur la sortie électrique, veuillez vous assurer que la tension de la sortie électrique est bien égale à celle du bloc d'alimentation.
- Placez le cordon d'alimentation de façon à éviter que l'on marche dessus. Ne posez rien sur le cordon d'alimentation.
- Veuillez prêter attention à toutes les alertes et remarques indiquées sur la carte mère.
- Dans un cas comme ci-dessous, faites appel au service autorisé pour vérifier votre carte mère :
  - Un liquide a pénétré dans l'ordinateur.
  - La carte mère a été exposée à de l'humidité.
  - La carte mère ne fonctionne pas comme indiqué dans les instructions.
  - La carte mère est tombée par terre et a été endommagée.
  - La carte mère est cassée.
- Ne pas mettre la carte mère dans un environnement dont la température est supérieure à 60°C (140°F) sous peine de l'endommager.

# Spécifications

<b>CPU</b>	Support des processeurs AMD Ryzen™ de 3ème génération et AMD Ryzen™4000 G-Series
<b>Chipset</b>	<ul style="list-style-type: none"> <li>• Chipset AMD B550 (MAG B550M VECTOR WIFI)</li> <li>• Chipset AMD A520 (MAG A520M VECTOR WIFI)</li> </ul>
<b>Mémoire</b>	<ul style="list-style-type: none"> <li>• 2 x slots pour mémoire DDR4, support jusqu'à 64 Go* <ul style="list-style-type: none"> <li>▪ Support DDR4 1866/ 2133/ 2400/ 2667/ 2800/ 2933/ 3000/ 3066/ 3200 MHz par JEDEC</li> <li>▪ Support DDR4 2667/ 2800 /2933 /3000 /3066 /3200 /3466 /3600/ 3733 /3866 /4000 /4133 /4266 /4400/ 4600+ MHz par A-XMP OC MODE <ul style="list-style-type: none"> <li>▫ La fréquence maximale en mode 1DPC 1R est de 4600 MHz</li> <li>▫ La fréquence maximale en mode 1DPC 2R est de 3866 MHz</li> </ul> </li> </ul> </li> <li>• Architecture mémoire double canal</li> <li>• Support mémoire non-ECC UDIMM</li> <li>• Support mémoire ECC UDIMM (mode non-ECC)</li> <li>• Support mémoire un-buffered</li> </ul> <p>* Veuillez vous référer au site <a href="http://www.msi.com">www.msi.com</a> pour plus d'informations sur la mémoire compatible.</p>
<b>Slots d'extension</b>	<ul style="list-style-type: none"> <li>• 1 x slot PCIe x16 (PCI_E2) <ul style="list-style-type: none"> <li>▪ MAG B550M VECTOR WIFI supporte PCIe 4.0/3.0*</li> <li>▪ MAG A520M VECTOR WIFI supporte PCIe 3.0</li> </ul> </li> <li>• 2 x slots PCIe 3.0 x1</li> </ul> <p>* Les caractéristiques du PCIe peut varier en fonction du processeur installé.</p>
<b>Sorties vidéo intégrées</b>	<ul style="list-style-type: none"> <li>• 1 x port HDMI 2.1, supportant une résolution maximum de 4096x2160 @60Hz**/**</li> <li>• 1 x port DisplayPort 1.2, supportant une résolution maximum de 4096x2160 @60Hz**</li> <li>• La mémoire partagée maximale est de 16 Go</li> </ul> <p>* Les caractéristiques de la carte graphique peut varier en fonction du processeur installé.</p> <p>** Disponible pour le processeur avec puce graphique intégrée.</p>

Suite du tableau sur la page suivante

Suite du tableau sur la page précédente

<b>Stockage</b>	<p>Chipset AMD B550 / A520</p> <ul style="list-style-type: none"><li>• 4 x ports SATA 6 Gb/s</li><li>• 1 x slot M.2 (Touche M) (Processeur AMD)<ul style="list-style-type: none"><li>▪ MAG B550M VECTOR WIFI supporte PCIe 4.0 / 3.0 x4*</li><li>▪ MAG A520M VECTOR WIFI supporte PCIe 3.0 x4</li><li>▪ Support SATA 6 Gb/s</li><li>▪ Support des périphériques de stockage 2242/2260/2280</li></ul></li></ul> <p>* Les caractéristiques du PCIe peut varier en fonction du processeur installé.</p>
<b>RAID</b>	Support RAID 0, RAID 1 et RAID 10 pour les périphériques de stockage SATA
<b>USB</b>	<p>Chipset AMD B550 / A520</p> <ul style="list-style-type: none"><li>• 2 x ports USB 3.2 Gen 1 5 Gb/s (2 ports disponibles par l'intermédiaire du connecteur USB 3.2 Gen 1 5 Gb/s interne)</li><li>• 6 x ports USB 2.0 (2 ports Type-A sur le panneau arrière, 4 ports disponibles par l'intermédiaire des connecteurs USB 2.0 internes)</li></ul> <p>Processeur AMD</p> <ul style="list-style-type: none"><li>• 4 x ports USB 3.2 Gen 1 5 Gb/s Type-A sur le panneau arrière</li></ul>
<b>Audio</b>	<p>Realtek® ALC892 Codec</p> <ul style="list-style-type: none"><li>• Audio haute définition 7.1</li></ul>
<b>LAN</b>	1 x contrôleur Realtek® RTL8111H LAN
<b>Wireless LAN et Bluetooth®</b>	<p>Intel® Dual Band Wireless-AC 3168</p> <ul style="list-style-type: none"><li>• Support Wi-Fi 802.11 a/b/g/n/ac, bi-bande (2,4 GHz, 5 GHz) jusqu'à 433 Mb/s</li><li>• Support Dual Mode Bluetooth 2.1,2.1+EDR,3.0,4.0,BLE,4.2</li></ul>


Suite du tableau sur la page suivante

Suite du tableau sur la page précédente

<b>Connecteurs internes</b>	<ul style="list-style-type: none"><li>• 1 x connecteur d'alimentation principal ATX à 24 broches</li><li>• 1 x connecteur d'alimentation ATX 12 V à 8 broches</li><li>• 4 x connecteurs SATA 6 Gb/s</li><li>• 1 x connecteur de port série</li><li>• 1 x slot M.2 (Touche M)</li><li>• 1 x connecteur USB 3.2 Gen 1 5 Gb/s (support de 2 autres ports USB 3.2 Gen 1 5 Gb/s)</li><li>• 2 x connecteurs USB 2.0 (support de 4 autres ports USB 2.0)</li><li>• 1 x connecteur de ventilateur CPU à 4 broches</li><li>• 1 x connecteur de ventilateur système à 4 broches</li><li>• 1 x connecteur audio avant</li><li>• 2 x connecteurs de panneau système</li><li>• 1 x connecteur intrusion châssis</li><li>• 1 x connecteur LED RGB à 4 broches</li><li>• 1 x connecteur LED RAINBOW à 3 broches</li><li>• 1 x connecteur de module TPM</li><li>• 1 x cavalier Clear CMOS</li></ul>
<b>Fonctions LED</b>	<ul style="list-style-type: none"><li>• 4 x EZ Debug LED</li></ul>
<b>Connecteurs sur le panneau arrière</b>	<ul style="list-style-type: none"><li>• 1 x port combo souris/clavier PS/2</li><li>• 2 x ports USB 2.0 Type-A</li><li>• 1 x DisplayPort</li><li>• 1 x port HDMI</li><li>• 1 x port LAN (RJ45)</li><li>• 4 x ports USB 3.2 Gen 1 5 Gb/s Type-A</li><li>• 2 x connecteurs d'antenne WiFi</li><li>• 3 x jacks audio</li></ul>
<b>Contrôleur E/S</b>	Contrôleur NUVOTON NCT6687-R

Suite du tableau sur la page suivante

Suite du tableau sur la page précédente

<b>Moniteur système</b>	<ul style="list-style-type: none"><li>• Détection de la température du CPU, du système et du Chipset</li><li>• Détection de la vitesse du ventilateur du CPU, du système et du ventilateur de pompe</li><li>• Contrôle de la vitesse du ventilateur du CPU, du système et du ventilateur de pompe</li></ul>
<b>Dimensions</b>	<ul style="list-style-type: none"><li>• Format M-ATX</li><li>• 24,4 cm x 21 cm [9,6" x 8,3"]</li></ul>
<b>Fonctions BIOS</b>	<ul style="list-style-type: none"><li>• 1 x flash 256 Mb</li><li>• UEFI AMI BIOS</li><li>• ACPI 6.0, SMBIOS 2.8</li><li>• Multilingue</li></ul>
<b>Logiciel</b>	<ul style="list-style-type: none"><li>• Pilotes</li><li>• DRAGON CENTER</li><li>• CPU-Z MSI GAMING</li><li>• Google Chrome™, Google Toolbar, Google Drive</li><li>• Norton™ Internet Security Solution</li></ul>
<b>Fonctions Dragon Center</b>	<ul style="list-style-type: none"><li>• Gaming Mode</li><li>• Gaming Hotkey</li><li>• Mystic Light</li><li>• Ambient Link</li><li>• User Scenario</li><li>• Hardware Monitor</li><li>• True Color</li><li>• Live Update</li><li>• Speed Up</li><li>• Smart Tool</li><li>• Super Charger</li></ul> <div data-bbox="657 967 785 1098"></div> <p data-bbox="657 1099 908 1174">Référez-vous au site <a href="http://download.msi.com/manual/mb/DRAGONCENTER2.pdf">http://download.msi.com/manual/mb/DRAGONCENTER2.pdf</a> pour plus de détails.</p>

Suite du tableau sur la page suivante

Suite du tableau sur la page précédente

## Fonctions spéciales

- Audio
  - Audio Boost
- Network
  - Intel WiFi
- Cooling
  - M.2 Shield Frozr
  - Smart Fan Control
- LED
  - Mystic Light Extension (RAINBOW/RGB)
  - Mystic Light SYNC
  - EZ DEBUG LED
- Performance
  - DDR4 Boost
  - Core Boost
  - GAME Boost (Uniquement pour MAG B550M VECTOR WIFI)
  - Lightning Gen4 PCI-E slot (Uniquement pour MAG B550M VECTOR WIFI)
  - Lightning Gen4 M.2 (Uniquement pour MAG B550M VECTOR WIFI)
- Protection
  - PCI-E Steel Armor (Uniquement pour MAG B550M VECTOR WIFI)
- Expérience
  - Dragon Center
  - Click BIOS 5

# Contenu

Vérifiez tous les articles dans le carton d'emballage de votre carte mère. L'emballage doit contenir :

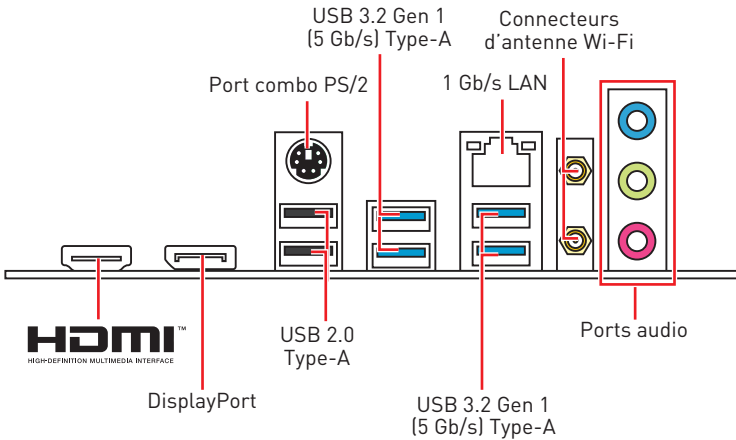
Carte mère	MAG B550M VECTOR WIFI / MAG A520M VECTOR WIFI	
Câble	Câble SATA 6 G (2 câbles/paquet)	1
Accessoires	Vis M.2 (3 pièces/sac)	1
	Carte d'enregistrement de produit	1
	Antenne Wi-Fi	1
	Protection I/O Shielding	1
	Insigne pour châssis	1
Application	DVD de pilotes	1
Documentation	Manuel d'utilisation	1
	Guide d'installation rapide	1
	Compatibilité des composants et programme de récompenses MSI (Uniquement pour MAG B550M VECTOR WIFI)	1

## **Important**

*Veillez contacter votre revendeur si un des éléments ci-dessus est endommagé ou manquant.*



# Panneau arrière Entrée / Sortie



## Tableau explicatif de l'état de la LED du port LAN

LED indiquant la connexion et l'activité		LED indiquant la vitesse								
Etat	Description									
Eteint	Pas de connexion	<table border="1"> <thead> <tr> <th>Etat</th> <th>1 Gb/s LAN</th> </tr> </thead> <tbody> <tr> <td>Eteint</td> <td>10 Mb/s</td> </tr> <tr> <td>Vert</td> <td>100 / 1000 Mb/s</td> </tr> <tr> <td>Orange</td> <td>1 Gb/s</td> </tr> </tbody> </table>	Etat	1 Gb/s LAN	Eteint	10 Mb/s	Vert	100 / 1000 Mb/s	Orange	1 Gb/s
Etat	1 Gb/s LAN									
Eteint	10 Mb/s									
Vert	100 / 1000 Mb/s									
Orange	1 Gb/s									
Jaune	Connexion correcte									
Clignote	Activité en cours									

## Realtek Audio Console

Après l'installation de Realtek Audio Console, vous pouvez l'utiliser pour modifier les paramètres du son afin d'obtenir une meilleure expérience sonore.

Amélioration d'application

Sélection du périphérique

Paramètres du connecteur

Etat des prises Jack

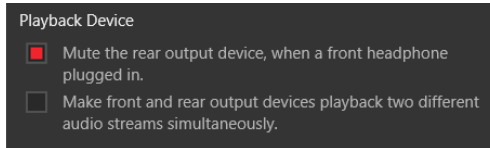
Volume principal

- **Sélection du périphérique** - vous permet de sélectionner une source de sortie audio pour en modifier les paramètres. Le symbole de coche indique le périphérique sélectionné par défaut.
- **Amélioration d'application** - les diverses options vous fournissent un guide complet des effets acoustiques proposés pour les périphériques de sortie et d'entrée.
- **Volume principal** - contrôle le volume ou équilibre le son gauche/droite des haut-parleurs branchés sur le panneau avant ou derrière en ajustant la barre de volume.
- **Etat des prises Jack** - présente tous les périphériques de diffusion et de capture connectés à votre ordinateur.
- **Paramètres du connecteur** - configure les paramètres de connexion.

## Configuration audio 7.1-canal

Pour régler le système audio 7.1, connectez le module audio entrée/sortie du panneau avant au connecteur JAUD1 et suivez les étapes ci-dessous.

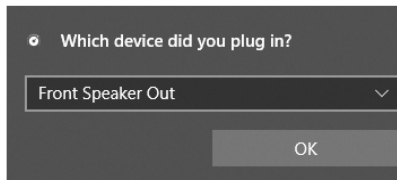
1. Cliquez sur Realtek Audio Console > Advanced Settings (Paramètres avancés) pour ouvrir le dialogue suivant.



2. Choisissez Mute the rear output device, when a front headphone plugged in. (Passer le périphérique arrière en silencieux quand un casque est branché à l'avant.)
3. Branchez vos haut-parleurs aux prises audio sur les panneaux entrée/sortie arrière et avant. Lorsqu'un périphérique est branché sur une prise audio, une fenêtre de dialogue apparaît et vous demande de choisir le périphérique connecté que vous souhaitez utiliser.

## Auto popup dialog

Lorsqu'un périphérique est branché sur une prise audio, une fenêtre de dialogue apparaît et vous demande de choisir le périphérique connecté que vous souhaitez utiliser.

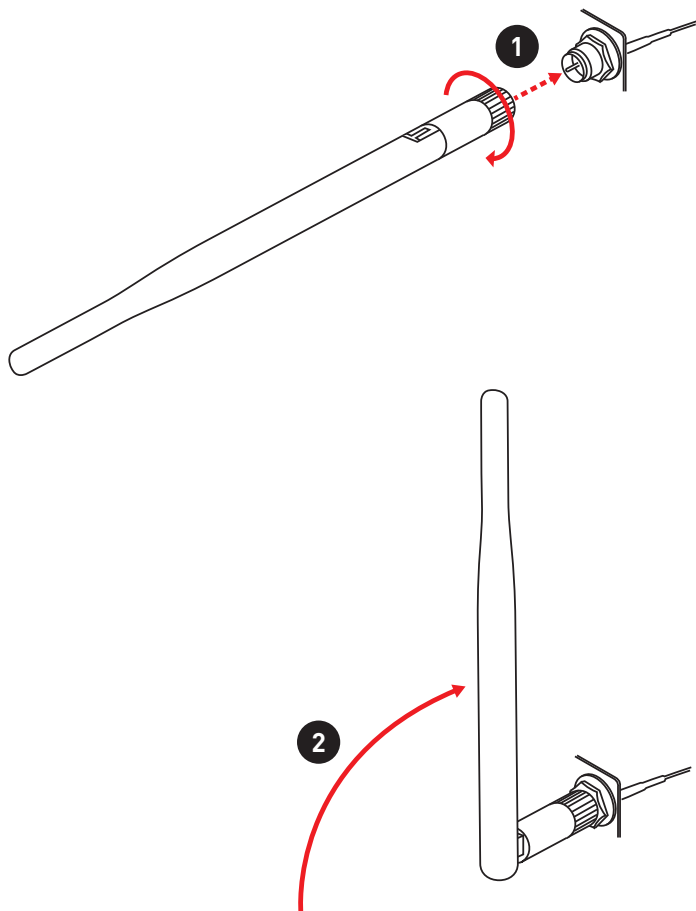


## Important

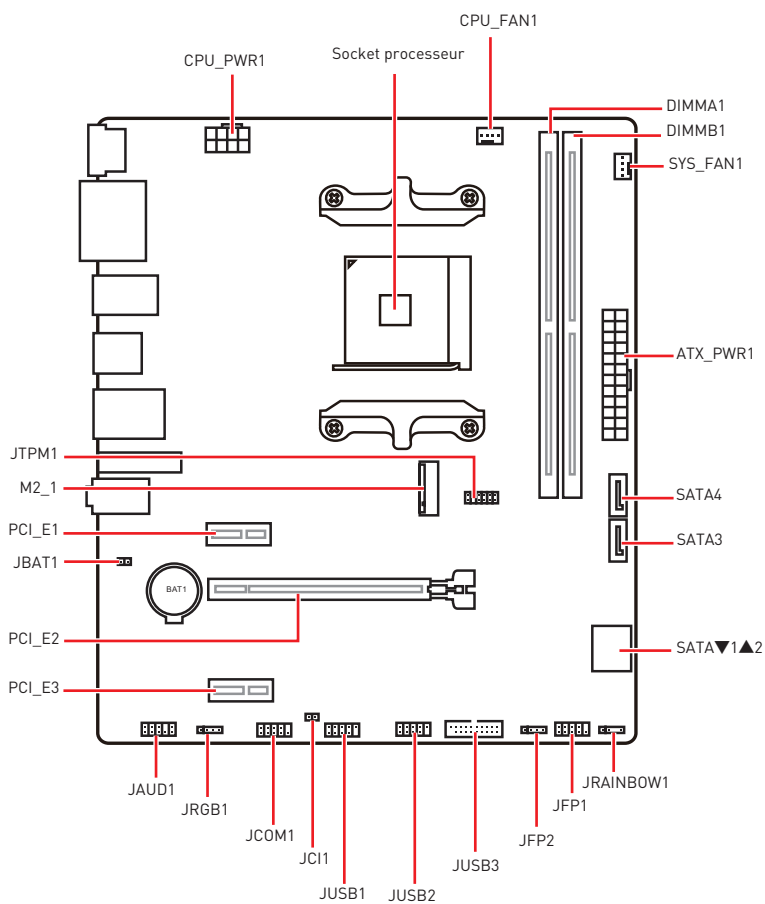
Les photos ci-dessus ne sont données qu'à titre de référence et peuvent varier selon le produit que vous achetez.

## Installation des antennes

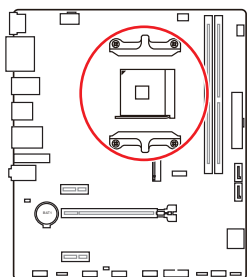
1. Vissez fermement les antennes aux connecteurs dédiés, comme illustré ici.
2. Orientez les antennes.



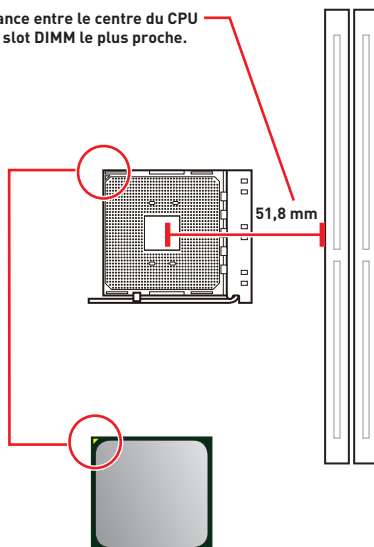
# Vue d'ensemble des composants



## Socket processeur



Distance entre le centre du CPU et le slot DIMM le plus proche.



### Présentation du socket AM4

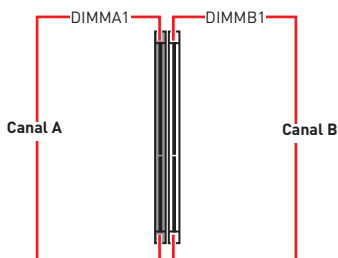
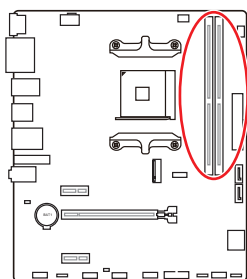
Sur le socket AM4, vous remarquerez un triangle jaune servant d'indicateur pour placer le processeur dans la bonne position sur la carte mère. Le triangle jaune correspond à la broche 1 du processeur.



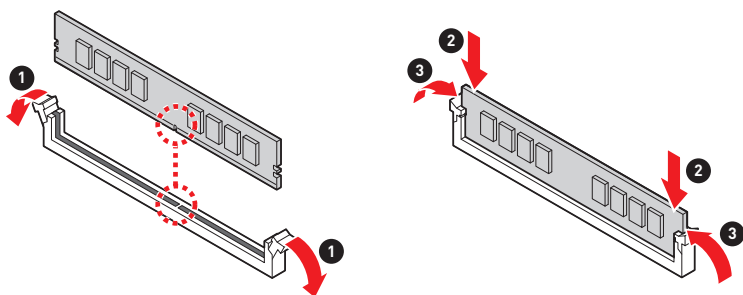
#### Important

- Lorsque vous changez le processeur, il se peut que la configuration du système soit effacée et que le BIOS soit réinitialisé à ses valeurs par défaut en raison de l'architecture du processeur AM4.
- Avant d'installer ou de retirer le processeur du socket, veillez à toujours débrancher le câble d'alimentation de la prise électrique.
- Lors de l'installation d'un processeur, n'oubliez pas d'installer un ventilateur pour processeur. Un ventilateur de processeur est nécessaire pour protéger le processeur contre la surchauffe et maintenir la stabilité du système.
- Assurez-vous de l'étanchéité entre le ventilateur et le processeur avant de démarrer votre système.
- La surchauffe peut facilement endommager le processeur et la carte mère. Assurez-vous toujours que le système de refroidissement fonctionne correctement pour protéger le processeur de la surchauffe. Assurez-vous d'appliquer une couche de pâte thermique (ou adhésif thermique) entre le processeur et le système de refroidissement afin d'améliorer la dissipation de la chaleur.
- Si vous avez acheté un processeur indépendamment du ventilateur, veuillez vous référer à la documentation dans le paquet du ventilateur pour plus d'informations concernant l'installation.
- Cette carte mère supporte l'overclocking. Néanmoins, veuillez vous assurer que vos composants soient capables de tolérer l'overclocking. Prenez note que l'utilisation au-delà des spécifications du constructeur n'est pas recommandée. MSI® ne garantit pas les dommages et risques causés par les utilisations non prévues dans les spécifications du produit.

## Slots DIMM



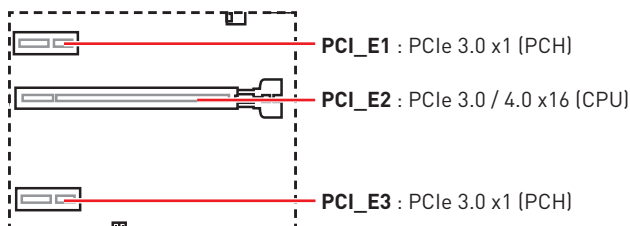
## Installation recommandée de module mémoire



### **Important**

- Du fait des ressources utilisées par le chipset, la capacité de mémoire disponible est un peu moins élevée que celle installée.
- Basé sur les spécifications du processeur, une tension d'une barrette mémoire en dessous de 1,35 V est conseillée pour protéger le processeur.
- Du fait des limites officiels des spécifications du contrôleur CPU/mémoire AM4, les modules de mémoire peuvent fonctionner à une fréquence réduite par rapport à la valeur indiquée en mode défaut.
- Veuillez vous référer au site [www.msi.com](http://www.msi.com) pour plus d'informations sur la mémoire compatible.

## PCI\_E1~3 : Slots d'extension PCIe

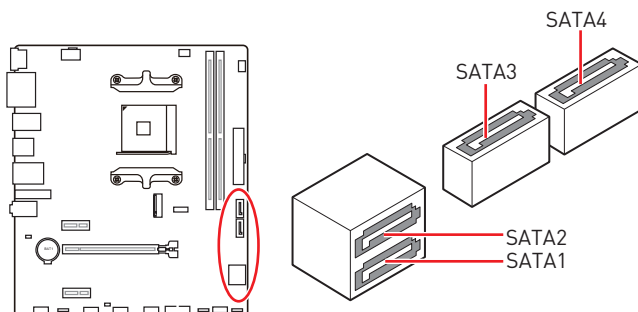


### Important

- Si vous installez une carte graphique lourde, il vous faut utiliser un outil comme la **barre de support MSI Gaming Series** pour supporter son poids et pour éviter la déformation du slot.
- Veillez à toujours mettre l'ordinateur hors tension et à débrancher le cordon d'alimentation avant d'installer les cartes d'extension. Référez-vous à la documentation des cartes pour vérifier si un composant ou un logiciel doit être modifié.

## SATA1~4 : Connecteurs SATA 6 Gb/s

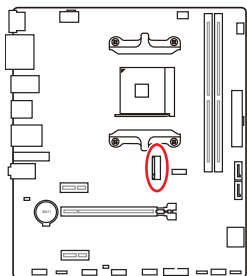
Ces connecteurs utilisent une interface SATA 6 Gb/s. Chaque connecteur peut être relié à un appareil SATA.



### Important

- Veillez ne pas plier les câbles SATA à 90° car cela pourrait entraîner une perte de données pendant la transmission.
- Les câbles SATA disposent de prises identiques sur chaque côté. Néanmoins, il est recommandé de connecter la prise plate sur la carte mère pour un gain d'espace.

## M2\_1 : Slot M.2 (Touche M)



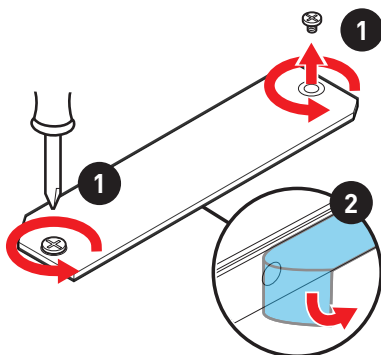
**Vidéo de démonstration**

Référez-vous à la vidéo d'installation du module M.2.

<http://youtu.be/JCTFABytrYA>

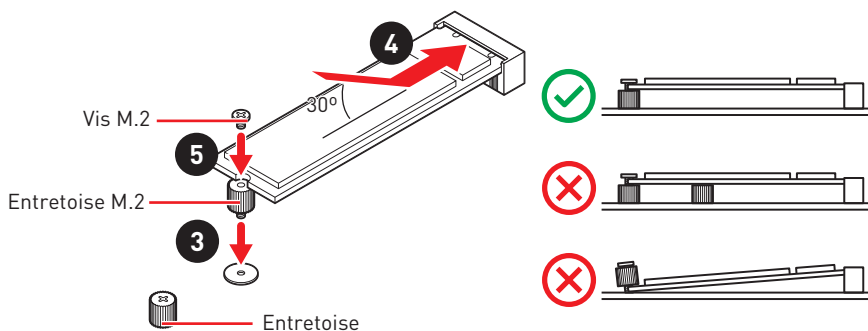
### Installation du module M.2

1. Desserrez la vis de la plaque M.2 SHIELD FROZR.
2. Retirez la plaque M.2 SHIELD FROZR et retirez le film de protection du pad thermique.

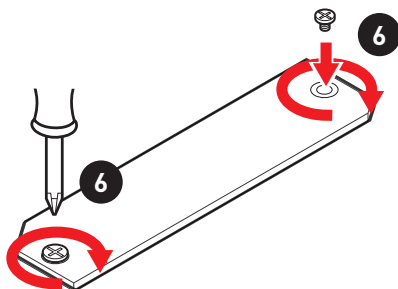




3. Déplacez et fixez l'entretoise à la position appropriée pour le support de votre SSD M.2. Si le SSD M.2 est de la même longueur que la plaque M.2, enlevez l'entretoise du SSD M.2. Cela évitera d'endommager le SSD M.2.
4. Insérez votre SSD M.2 dans le slot M.2 à un angle de 30 degrés.
5. Fixez le SSD M.2 avec une vis M.2 ou ignorez cette étape si vous enlevez l'entretoise M.2 à l'étape 3.

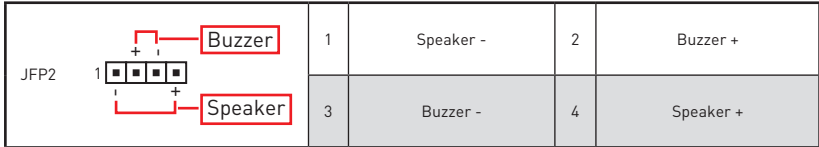
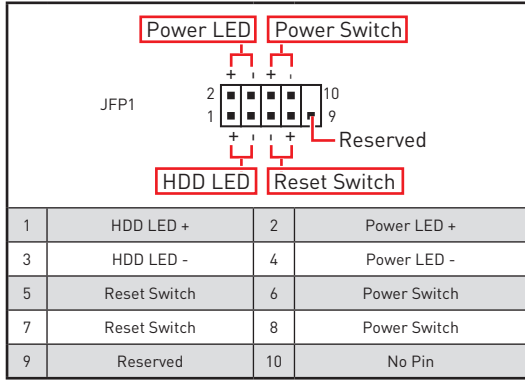
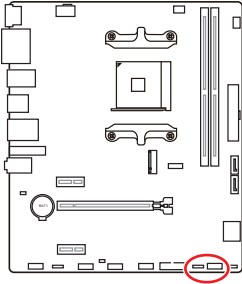


6. Remettez la plaque M.2 SHIELD FROZR en place et fixez-la.



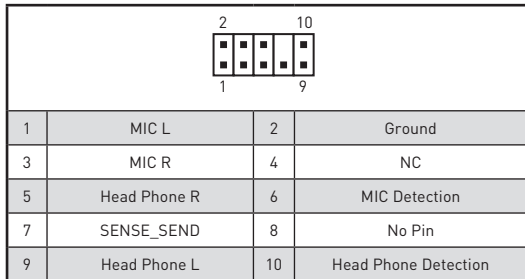
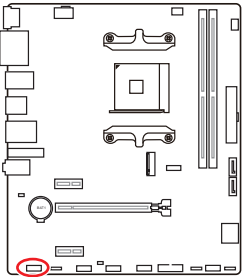
## JFP1, JFP2 : Connecteurs de panneau avant

Ces connecteurs se lient aux interrupteurs et indicateurs LED du panneau avant.



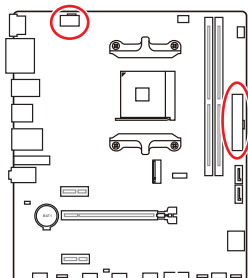
## JAUD1 : Connecteur audio avant

Ce connecteur se lie aux jacks audio du panneau avant.



## CPU\_PWR1, ATX\_PWR1 : Connecteurs d'alimentation

Ces connecteurs vous permettent de relier une alimentation ATX.



1	Ground	5	+12V
2	Ground	6	+12V
3	Ground	7	+12V
4	Ground	8	+12V

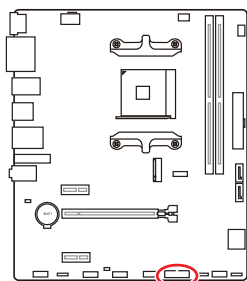
1	+3.3V	13	+3.3V
2	+3.3V	14	-12V
3	Ground	15	Ground
4	+5V	16	PS-ON#
5	Ground	17	Ground
6	+5V	18	Ground
7	Ground	19	Ground
8	PWR OK	20	Res
9	5VSB	21	+5V
10	+12V	22	+5V
11	+12V	23	+5V
12	+3.3V	24	Ground

### Important

*Veillez vous assurer que tous les câbles d'alimentation sont branchés aux connecteurs adéquats afin garantir une opération stable de la carte mère.*

## JUSB3 : Connecteur USB 3.2 Gen 1 5 Gb/s

Ce connecteur vous permet de relier un port USB 3.2 Gen 1 5 Gb/s sur le panneau avant.



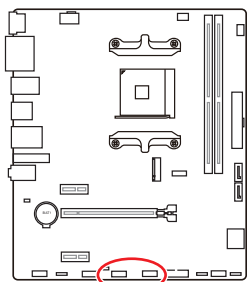
1	Power	11	USB2.0+
2	USB3_RX_DN	12	USB2.0-
3	USB3_RX_DP	13	Ground
4	Ground	14	USB3_TX_C_DP
5	USB3_TX_C_DN	15	USB3_TX_C_DN
6	USB3_TX_C_DP	16	Ground
7	Ground	17	USB3_RX_DP
8	USB2.0-	18	USB3_RX_DN
9	USB2.0+	19	Power
10	Ground	20	No Pin

### Important

Notez que les câbles d'alimentation et de terre doivent être branchés correctement afin d'éviter d'endommager la carte.

## JUSB1~2 : Connecteurs USB 2.0

Ces connecteurs vous permettent de relier des ports USB 2.0 sur le panneau avant.



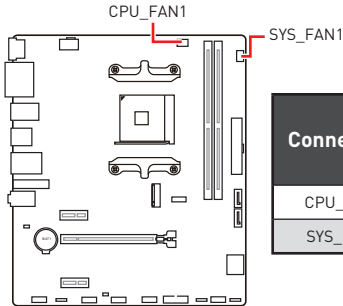
1	VCC	2	VCC
3	USB0-	4	USB1-
5	USB0+	6	USB1+
7	Ground	8	Ground
9	No Pin	10	NC

### Important

- Notez que les broches VCC et Terre doivent être branchées correctement afin d'éviter tout dommage sur la carte mère.
- Pour recharger votre iPad, iPhone et iPod par l'intermédiaire d'un port USB, veuillez installer l'utilitaire MSI® DRAGON CENTER.

## CPU\_FAN1, SYS\_FAN1 : Connecteurs de ventilateur

Les connecteurs de ventilateur peuvent être utilisés en mode PWM (Pulse Width Modulation) et en mode DC. En mode PWM, les connecteurs fournissent une sortie de 12 V constante et ajustent la vitesse du ventilateur avec un signal de contrôle de vitesse. En mode DC, les connecteurs contrôlent la vitesse du ventilateur en modifiant la tension. Le mode automatique détectera automatiquement le type de ventilateur utilisé. Cependant, vous pouvez suivre les instructions ci-dessous pour régler le connecteur de ventilateur en mode PWM ou mode DC.



Connecteur	Mode ventilateur par défaut	Courant Max.	Alimentation Max.
CPU_FAN1	mode Auto	2A	24W
SYS_FAN1	mode DC	1A	12W

### Basculer entre les modes des ventilateurs et ajuster la vitesse

Vous pouvez alterner entre le mode PWM et le mode DC et ajuster la vitesse des ventilateurs dans le **BIOS > HARDWARE MONITOR**.

Choisissez le mode **PWM** ou le mode **DC**





Il y a des points de gradient de la vitesse du ventilateur qui vous permet d'ajuster la vitesse du ventilateur par rapport à la température du processeur.

### Important

*Veillez vous assurer que les ventilateurs fonctionnent correctement après avoir basculé entre les modes PWM et DC.*

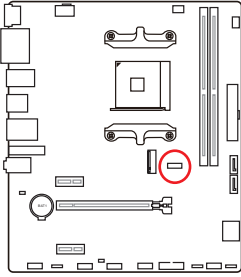
### Définition des broches des connecteurs de ventilateur

1  Définition des broches en mode PWM			
1	Ground	2	+12V
3	Sense	4	Speed Control Signal

1  Définition des broches en mode DC			
1	Ground	2	Voltage Control
3	Sense	4	NC

## JTPM1 : Connecteur de module TPM

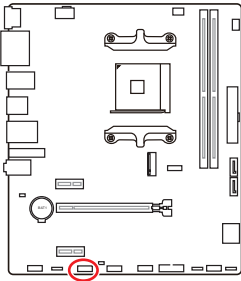
Ce connecteur est relié à un module TPM (Trusted Platform Module). Veuillez vous référer au manuel du module TPM pour plus d'informations.



1	SPI Power	2	SPI Chip Select
3	Master In Slave Out (SPI Data)	4	Master In Slave In (SPI Data)
5	Reserved	6	SPI Clock
7	Ground	8	SPI Reset
9	Reserved	10	No Pin
11	Reserved	12	Interrupt Request

## JCOM1 : Connecteur de port série

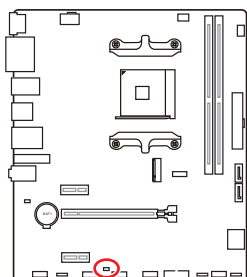
Ce connecteur vous permet de relier un port série en option.



1	DCD	2	SIN
3	SOUT	4	DTR
5	Ground	6	DSR
7	RTS	8	CTS
9	RI	10	No Pin

## JCI1 : Connecteur intrusion châssis

Ce connecteur est relié à un câble d'interrupteur intrusion châssis.



Normal  
(défaut)



Commencer l'activité  
intrusion châssis

### Utilisation du détecteur d'intrusion châssis

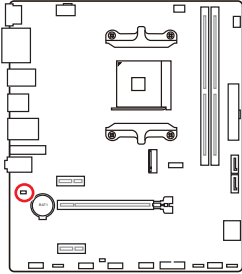
1. Reliez le connecteur **JCI1** à l'interrupteur ou au capteur d'intrusion châssis situé sur le boîtier du PC.
2. Fermez le couvercle du boîtier.
3. Allez dans le **BIOS > SETTINGS (Réglages) > Security (Sécurité) > Chassis Intrusion Configuration (Configuration intrusion châssis)**.
4. Réglez **Chassis Intrusion (intrusion châssis)** sur **Enabled (Activé)**.
5. Appuyez sur **F10** pour sauvegarder et quitter. Ensuite appuyez sur la touche **Enter (Entrée)** pour choisir **Yes (Oui)**.
6. Désormais, si le boîtier du PC est ouvert quand l'ordinateur est allumé, vous recevrez un message d'alerte à l'écran.

### Réinitialisation de l'alerte intrusion châssis

1. Allez dans le **BIOS > SETTINGS (Réglages) > Security (Sécurité) > Chassis Intrusion Configuration (Configuration intrusion châssis)**.
2. Mettez **Chassis Intrusion (Intrusion châssis)** en **Reset (Remettre)**.
3. Appuyez sur **F10** pour sauvegarder et quitter. Ensuite appuyez sur la touche **Enter (Entrée)** pour choisir **Yes (Oui)**.

## JBAT1 : Cavalier Clear CMOS (Réinitialiser le BIOS)

Une mémoire CMOS est intégrée et est alimentée en externe par une batterie située sur la carte mère afin de conserver les données de configuration système. Si vous souhaitez nettoyer la configuration système, placez le cavalier sur Effacer CMOS de manière à nettoyer la mémoire CMOS.



Conserv  
les données  
(défaut)



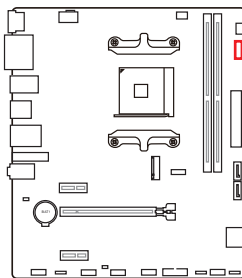
Effacer le CMOS/  
Réinitialiser le BIOS

### Réinitialiser le BIOS aux valeurs par défaut

1. Eteignez l'ordinateur et débranchez le câble d'alimentation de la prise électrique.
2. Utilisez un couvercle de cavalier pour fermer **JBAT1** pour environ 5-10 secondes.
3. Enlevez le couvercle de cavalier du **JBAT1**.
4. Branchez de nouveau le câble d'alimentation à votre ordinateur et allumez-le.

## EZ Debug LED

Ces LEDs indiquent l'état de débogage de la carte mère.

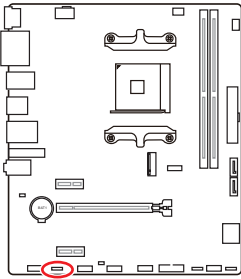


- CPU** - indique que le CPU n'est pas détecté ou que son initialisation a échoué.
- DRAM** - indique que la mémoire DRAM n'est pas détectée ou que son initialisation a échoué.
- VGA** - indique que les périphériques GPU/PCIE/M.2 ne sont pas détectés ou que leur initialisation a échoué.
- BOOT** - indique que le périphérique de démarrage n'est pas détecté ou que son initialisation a échoué.



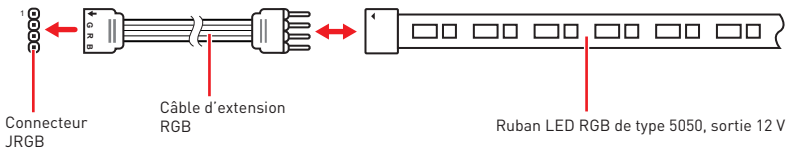
## JRGB1 : Connecteur LED RGB

Le connecteur JRGB vous permet de connecter un ruban LED RGB de type 5050 12 V.

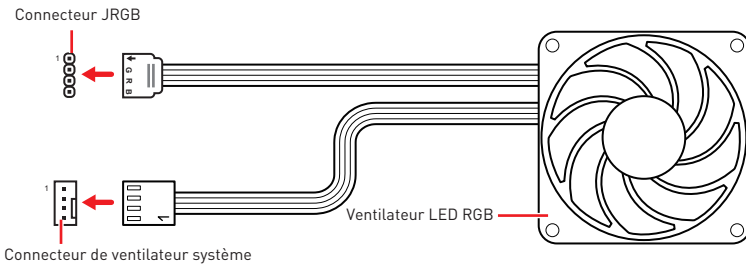


1			
1	+12V	2	G
3	R	4	B

### Connexion du ruban LED RGB



### Connexion du ventilateur LED RGB

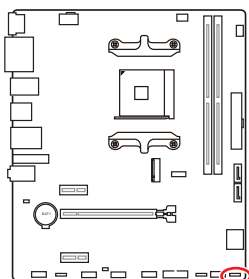


### Important

- Le connecteur JRGB supporte des rubans LED RGB (12 V/G/R/B) de type 5050 d'une longueur de 2 mètres maximum avec une puissance nominale maximale de 3 A (12 V).
- Avant d'installer ou de retirer le ruban LED RGB, veillez à toujours éteindre l'alimentation et à débrancher le câble d'alimentation de la prise électrique.
- Veuillez utiliser un logiciel MSI dédié pour contrôler le ruban d'extension LED.

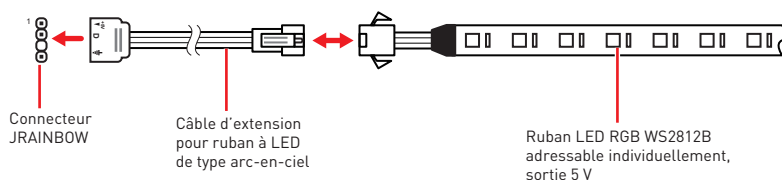
## JRAINBOW1 : Connecteur LED RGB adressable

Le connecteur JRAINBOW vous permet de connecter un ruban à LED RGB WS2812B adressable individuellement 5 V.

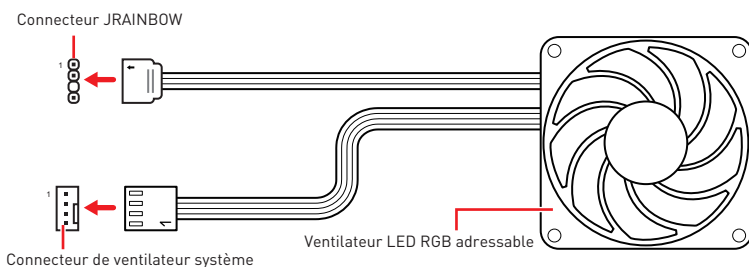


1			
1	+5V	2	Data
3	No Pin	4	Ground

### Connexion du ruban LED RGB adressable



### Connexion du ventilateur LED RGB adressable



### ⚠ Attention

Faites attention à bien connecter le bon type de ruban LED. Le connecteur JRGB et le connecteur JRAINBOW fournissent des tensions différentes. La connexion d'un ruban LED 5 V au connecteur JRGB peut endommager le ruban.

### ⚠ Important

- Le connecteur JRAINBOW supporte jusqu'à des rubans 75 LEDs WS2812B adressables individuellement (5 V/Data/Ground) avec une puissance nominale maximale de 3 A [5 V]. Dans le cas d'une luminosité de 20 %, le connecteur supporte jusqu'à 200 LED.
- Avant d'installer ou de retirer le ruban LED, veillez à toujours éteindre l'alimentation et à débrancher le câble d'alimentation de la prise électrique.
- Veuillez utiliser un logiciel MSI dédié pour contrôler le ruban d'extension LED.

# Installer OS, Pilotes et Utilitaires

Veillez vous référer au site [www.msi.com](http://www.msi.com) pour télécharger et mettre à jour les derniers utilitaires et pilotes.

## Installer Windows® 10

1. Allumez l'ordinateur.
2. Insérez le disque ou la clé USB d'installation de Windows® 10 dans votre ordinateur.
3. Appuyez sur le bouton **Redémarrer (Restart)** du boîtier de l'ordinateur.
4. Appuyez sur la touche **F11** pendant le POST (Power-On Self Test) du système pour entrer dans le menu de démarrage.
5. Choisissez le disque ou la clé USB d'installation de Windows® 10 dans le menu de démarrage.
6. Appuyez sur n'importe quelle touche lorsqu'apparaît le message **[Appuyez sur n'importe quelle touche pour démarrer du CD ou du DVD] (Press any key to boot from CD or DVD)**.
7. Suivez les instructions à l'écran pour installer Windows® 10.

## Installer les pilotes

1. Allumez l'ordinateur sous Windows® 10.
2. Insérez MSI® Drive Disc dans le lecteur optique.
3. Cliquez sur la fenêtre pop-up **Choisir quoi faire avec ce disque (Select to choose what happens with this disc)**, puis choisissez **Lancer DVDSetup.exe (Run DVDSetup.exe)** pour ouvrir l'outil d'installation. Si vous désactivez la fonction AutoPlay dans le panneau de configuration Windows, vous pouvez quand même exécuter manuellement **DVDSetup.exe** à partir du chemin d'accès depuis la racine du disque de pilotes MSI.
4. L'outil d'installation trouvera et listera tous les pilotes dont vous avez besoin dans l'onglet **Pilotes/Logiciels (Drivers/Software)**.
5. Cliquez sur le bouton **Installer (Install)** dans le coin inférieur droit de la fenêtre.
6. L'installation des pilotes commence. Une fois terminée, il vous sera demandé de redémarrer.
7. Cliquez sur le bouton **OK** pour terminer.
8. Redémarrez votre ordinateur.

## Installer les utilitaires

Avant d'installer les utilitaires, il faut compléter l'installation des pilotes.

1. Ouvrez l'outil d'installation comme décrit ci-dessus.
2. Cliquez sur l'onglet **Utilitaires (Utilities)**.
3. Choisissez les utilitaires que vous voulez installer.
4. Cliquez sur le bouton **Installer (Install)** dans le coin inférieur droit de la fenêtre.
5. L'installation des utilitaires commence. Une fois terminée, il vous sera demandé de redémarrer.
6. Cliquez sur le bouton **OK** pour terminer.
7. Redémarrez votre ordinateur.

# UEFI BIOS

Le BIOS UEFI de MSI est compatible avec l'architecture UEFI (Unified Extensible Firmware Interface). Le BIOS UEFI présente de nombreuses nouvelles fonctionnalités et avantages qui ne sont pas proposés par le BIOS traditionnel. Le BIOS UEFI est ainsi voué à totalement remplacer le BIOS traditionnel à l'avenir. Le BIOS UEFI de MSI utilise UEFI comme mode de démarrage par défaut pour profiter au maximum des capacités du nouveau chipset. Cependant, il dispose toujours du mode CSM (module de support de compatibilité) lui permettant de prendre en charge les composants plus anciens non compatibles au BIOS UEFI. Cela vous permettra de remplacer les anciens composants par des composants compatibles UEFI lors de la transition.



## Important

Dans ce guide d'utilisation, le terme BIOS se réfère au BIOS UEFI, sauf indication contraire.

## Avantages de l'UEFI

- Démarrage rapide - L'UEFI peut démarrer directement le système d'exploitation et enregistrer le processus d'autotest du BIOS. Il élimine également le temps à attendre pour passer en mode CSM pendant le POST.
- Prend en charge des partitions de disque dur supérieures à 2 To.
- Prend en charge plus de 4 partitions principales avec une table de partition GUID (GPT).
- Prend en charge un nombre illimité de partitions.
- Prend en charge toutes les capacités de nouveaux appareils - les nouveaux appareils peuvent ne pas fournir de compatibilité descendante.
- Prend en charge le démarrage sécurisé - L'UEFI peut vérifier la validité du système d'exploitation pour s'assurer qu'aucun malware ne perturbe le processus de démarrage.

## Cas d'incompatibilité avec l'UEFI

- **Système d'exploitation Windows 32 bits** - cette carte mère supporte uniquement le système d'exploitation Windows 10 64 bits.
- **Carte graphique ancienne** - le système détectera votre carte graphique. Un message d'avertissement apparaît si **aucun support GOP (Graphics Output Protocol) n'est détecté sur cette carte graphique.**

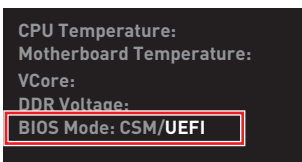


## Important

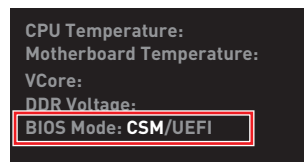
Nous vous recommandons de utiliser une carte graphique compatible au BIOS UEFI et au pilote GOP.

## Comment vérifier le mode BIOS ?

Après être entré dans le BIOS, recherchez le mode BIOS en haut de l'écran.



Mode de démarrage UEFI



Mode de démarrage CSM

## Configuration du BIOS

Les réglages par défaut fournissent une performance optimale pour la stabilité du système en conditions normales. Veuillez à **toujours garder les réglages par défaut** pour éviter d'endommager le système ou tout problème au démarrage, sauf si vous êtes familier avec le BIOS.



### **Important**

- *Le BIOS est constamment mis à jour afin d'offrir de meilleures performances système. Par conséquent, la description peut différer selon la version de BIOS utilisée et n'est donc donnée qu'à titre de référence. Vous pouvez aussi vous référer à l'onglet **Help (Aide)** pour obtenir la description des fonctions du BIOS.*
- *Les photos ne sont données qu'à titre de référence et peuvent varier selon le produit que vous achetez.*
- *Les éléments du BIOS peuvent varier selon le processeur.*

## Entrer dans l'interface Setup du BIOS

Pendant le démarrage, lorsqu'apparaît le message **Press DEL key to enter Setup Menu, F11 to enter Boot Menu** sur l'écran, veuillez appuyer sur la touche **Suppr.**

### Touches de fonction

- F1** : Liste d'aide générale
- F2** : Ajouter ou supprimer un élément favori
- F3** : Entrer dans le menu Favoris
- F4** : Entrer dans le menu de réglages du processeur
- F5** : Entrer dans le menu Memory-Z
- F6** : Charger les réglages par défaut
- F7** : Alternner entre le mode avancé et le mode simplifié
- F8** : Charger le profil d'overclocking
- F9** : Sauvegarder le profil d'overclocking
- F10** : Sauvegarder les modifications et réglages\*
- F12** : Prendre une capture d'écran et la conserver dans la clé USB (au format FAT/FAT32 uniquement)
- Ctrl+F** : Entrer dans la page de recherche

\*Lorsque vous appuyez sur F10, une fenêtre de confirmation apparaît et fournit l'information de modification. Choisissez entre Oui et Non pour confirmer.

## Réinitialiser le BIOS

Il se peut que vous ayez besoin de récupérer les réglages BIOS par défaut pour résoudre des problèmes. Pour réinitialiser les réglages du BIOS, veuillez suivre l'une des méthodes suivantes :

- Allez dans le Setup du BIOS et appuyez sur **F6** pour charger les réglages par défaut.
- Court-circuitez le cavalier **Clear CMOS** sur la carte mère.
- Appuyez sur le bouton **Clear CMOS** sur la carte mère.



### Important

Assurez-vous que l'ordinateur est éteint avant d'effacer les données CMOS. Veuillez vous référer à la section cavalier **Clear CMOS** pour en savoir plus sur la réinitialisation du BIOS.

## Mettre le BIOS à jour

### Mettre le BIOS à jour avec M-FLASH

Avant la mise à jour :

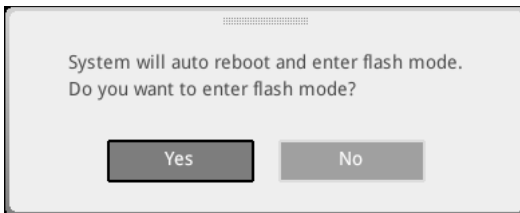
Veillez télécharger la dernière version de BIOS compatible à votre carte mère sur le site MSI. Ensuite, veuillez sauvegarder le nouveau BIOS sur la clé USB.

Mettre le BIOS à jour :

1. Connectez la clé USB contenant le profil au port USB.
2. Veuillez vous référer aux méthodes suivantes pour passer en mode flash.
  - Redémarrez et appuyez sur la touche **Ctrl + F5** pendant le processus de POST et cliquez sur **Yes (Oui)** pour redémarrer le système.

Press <Ctrl+F5> to activate M-Flash for BIOS update.

- Redémarrez et appuyez sur la touche **Del** pendant le processus de POST pour entrer dans l'interface du BIOS. Cliquez le bouton **M-FLASH** et cliquez sur **Yes (Oui)** pour redémarrer le système.



3. Choisissez un profil BIOS pour commencer la mise à jour du BIOS.
4. Lorsque vous y êtes invité, cliquez sur **Yes (Oui)** pour lancer la restauration du BIOS.
5. Une fois la mise à jour terminée, le système redémarrera automatiquement.

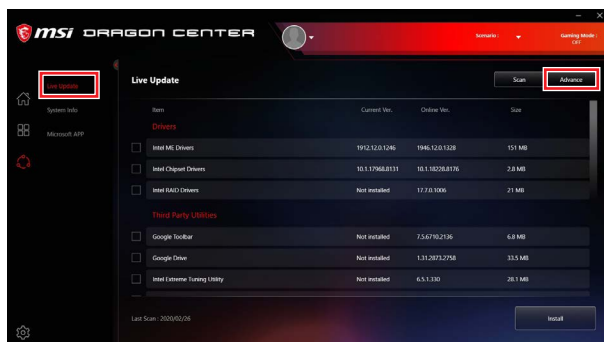
## Mettre le BIOS à jour avec MSI DRAGON CENTER

Avant la mise à jour :

Assurez-vous que le lecteur LAN est bien installé et que l'ordinateur est correctement connecté à internet.

Mettre le BIOS à jour :

1. Installez et lancez MSI DRAGON CENTER et accédez à la page **Support**.
2. Choisissez **Live Update** et cliquez sur le bouton **Advance**.



3. Cliquez sur le bouton **Scan** pour rechercher la dernière version du BIOS.
4. Choisissez le profil BIOS et cliquez sur l'icône **Download** pour télécharger et installer la dernière version du BIOS.
5. Cliquez sur **Next (Suivant)** et choisissez le mode **In Windows**. Ensuite, cliquez sur **Next (Suivant)** et **Start (Commencer)** pour lancer la mise à jour du BIOS.
6. Une fois la mise à jour terminée, le système redémarrera automatiquement.

## Mettre le BIOS à jour avec Bouton Flash BIOS

1. Veuillez télécharger la dernière version du BIOS compatible à votre carte mère sur le site MSI®.
2. Renommez le BIOS en **MSI.ROM**. Ensuite, veuillez sauvegarder le profil MSI.ROM sur le répertoire racine de la clé USB.
3. Connectez l'alimentation aux connecteurs **CPU\_PWR1** et **ATX\_PWR1**. (Pas besoin d'installer le processeur et la mémoire.)
4. Branchez la clé USB contenant le fichier MSI.ROM au **Port Flash BIOS** situé sur le panneau arrière Entrée/Sortie.
5. Appuyez sur le bouton **Flash BIOS** pour activer le BIOS, et le bouton LED commence à clignoter.
6. Une fois le processus terminé, la LED s'éteint.

## EZ Mode (mode simplifié)

Le mode EZ vous fournit les informations basiques du système et vous permet de configurer les réglages de base. Si vous souhaitez configurer les réglages du BIOS, veuillez utiliser le mode Advanced en appuyant sur le **Setup Mode switch (Interrupteur de modes de réglages)** ou la touche de fonction **F7**.



• **GAME BOOST** - cliquez dessus pour basculer le GAME BOOST pour l'overclocking. Cette fonction est seulement disponible lorsque la carte mère et le processeur la supportent.

### Important

Après l'activation de la fonction **GAME BOOST**, nous vous déconseillons d'ajuster les éléments du BIOS pour conserver des performances optimales et une bonne stabilité du système.

- **Profile A-XPMP** - Vous permet de sélectionner le profil A-XPMP pour l'overclocking de la mémoire. Cette fonction est seulement disponible lorsque le système, la mémoire et le processeur la supportent.
- **Interrupteur de modes de réglages** - appuyez sur ce menu ou la touche **F7** pour commuter entre le mode avancé et le mode simplifié.
- **Capture d'écran** - appuyez sur ce menu ou sur la touche **F12** pour prendre une capture d'écran et la conserver dans la clé USB (au format FAT ou FAT32 uniquement).
- **Recherche** - cliquez sur cet onglet ou sur les touches **Ctrl+F** pour accéder à la page de recherche. Cette page vous permet de faire des recherches en utilisant les noms des éléments du BIOS. Déplacez la souris sur un espace vierge et faites un clic droit pour quitter la page de recherche.

### Important

Dans la page de recherche, seules les touches de fonction **F6**, **F10** et **F12** sont disponibles.



- **Langue** - vous permet de choisir la langue du BIOS.
- **Informations du système** - montre la vitesse et la tension du processeur et de la mémoire, la température du processeur et de la carte mère, le type de carte mère et de processeur, la capacité mémoire, la version du BIOS et la date d'installation.
- **Barre priorité de périphérique démarrage** - vous pouvez déplacer les icônes dédiés aux périphériques pour modifier la priorité au démarrage. Le sens de la priorité va de gauche à droite.
- **Informations des composants** - cliquez sur les boutons **CPU (Processeur)**, **Memory (Mémoire)**, **Storage (Stockage)**, **Fan Info (Info ventilateurs)** et **Help (Aide)** pour afficher les informations du composant connecté.
- **Boutons de fonction** - activez ou désactivez ces fonctions en cliquant sur ces boutons. La fonction est activée lorsque le bouton affiche **ON**.

### Important

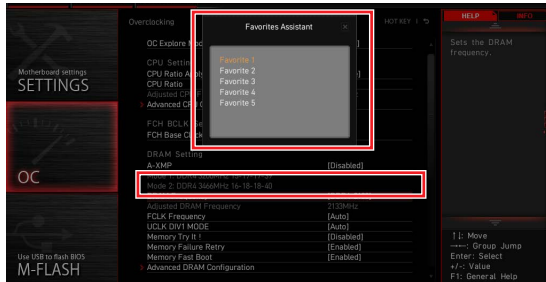
Les boutons de fonction peuvent varier selon la carte mère que vous achetez.

- **M-Flash** - cliquez sur ce bouton pour entrer dans le menu **M-Flash** qui fournit la méthode de mise à jour du BIOS à l'aide d'une clé USB.
- **Moniteur de matériel** - cliquez sur ce bouton pour entrer dans le menu **Moniteur de matériel** qui vous permet de contrôler manuellement la vitesse des ventilateurs.
- **Favoris** - cliquez sur ce bouton ou appuyez sur la touche **F3** pour afficher la fenêtre **Favoris**. Il fournit 5 menus pour vous de créer un menu BIOS personnalisé où vous pourrez sauvegarder et accéder à vos réglages favoris ou fréquemment utilisés.



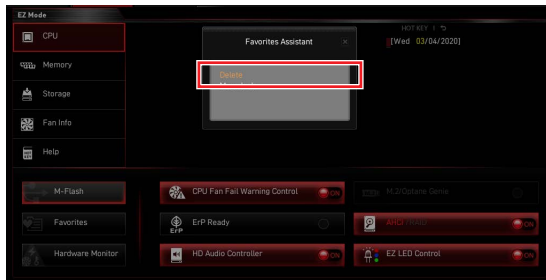
## ▪ Ajouter un élément du BIOS au menu Favoris

1. Sélectionnez un élément du BIOS pas seulement dans le menu du BIOS mais également sur la page de recherche.
2. Faites un clic droit ou appuyez sur la touche **F2**.
3. Choisissez une page de favoris et cliquez sur **OK**.



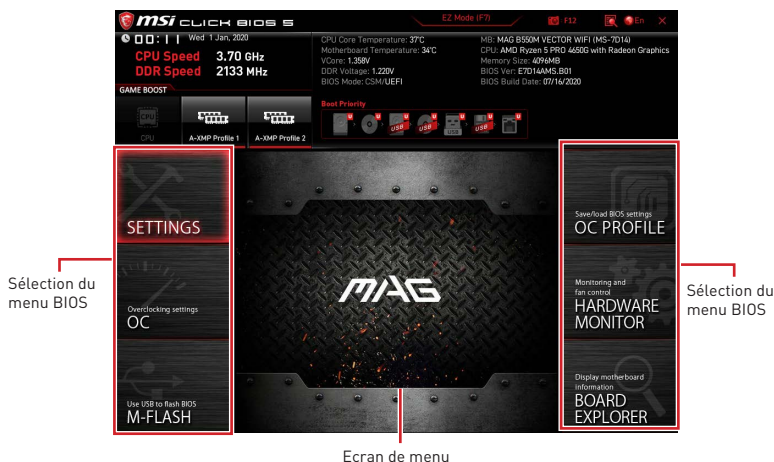
## ▪ Supprimer un élément du BIOS du menu des favoris

1. Sélectionnez un élément du BIOS dans le menu Favoris.
2. Faites un clic droit ou appuyez sur la touche **F2**.
3. Choisissez **Delete (Effacer)** et cliquez sur **OK**.



## Advanced Mode (mode avancé)

Appuyez sur le **Setup Mode switch (interrupteur de modes de réglages)** ou sur la touche de fonction **F7** pour commuter entre le mode simplifié et le mode avancé.



- **Sélection du menu BIOS** - les options suivantes sont disponibles :
  - **SETTINGS (Réglages)** - permet de personnaliser les paramètres du chipset et du démarrage des périphériques.
  - **OC** - permet d'ajuster la fréquence et la tension. L'augmentation de la fréquence peut améliorer les performances.
  - **M-FLASH** - permet de mettre le BIOS à jour avec une clé USB.
  - **OC PROFILE** - permet de gérer les profils d'overclocking.
  - **HARDWARE MONITOR (Moniteur de matériel)** - permet de régler la vitesse des ventilateurs et de surveiller la tension du système.
  - **BOARD EXPLORER** - fournit des informations sur les périphériques installés sur la carte mère.
- **Ecran de menu** - affiche les menus de réglages BIOS et les informations à configurer.

## OC Menu (menu overclocking)

Ce menu vous permet de configurer les fréquences et les tensions pour l'overclocking. Veuillez noter que l'augmentation de la fréquence et de la tension peut être bénéfique à la qualité de l'overclocking mais peut également causer l'instabilité du système.



### **Important**

- L'overclocking manuel du PC n'est recommandé que pour les utilisateurs avancés.
- L'overclocking n'est pas garanti et une mauvaise manipulation peut rendre nulle votre garantie et sévèrement endommager votre matériel.
- Si vous n'êtes pas familier avec l'overclocking, nous vous recommandons d'utiliser la fonction **GAME BOOST** pour un overclocking simplifié et plus stable.
- Les éléments du BIOS dans le menu OC peuvent varier selon le processeur.

### ► **OC Explore Mode [Normal]**

Active ou désactive le mode Normal ou Expert des réglages OC.

[Normal] Fournit les réglages OC standards dans les réglages BIOS.

[Expert] Fournit les réglages OC avancés pour les utilisateurs avancés et à configurer dans les réglages BIOS.

Remarque : Nous utilisons le symbole \* pour indiquer les réglages OC du mode Expert.

### ► **CPU Ratio Apply Mode [All Core]**

Règle le mode d'application en cours pour le ratio. Ce menu n'apparaît que si le processeur installé est compatible avec **Turbo Boost**.

### ► **CPU Ratio [Auto]**

Définit le ratio servant à déterminer la vitesse d'horloge du processeur. Ce menu peut être modifié uniquement si le processeur supporte cette fonction.

### ► **Advanced CPU Configuration**

Appuyez sur la touche **Entrée** pour entrer dans le sous-menu. L'utilisateur peut définir les paramètres concernant l'alimentation et le courant du processeur. Le système peut être instable ou peut ne plus redémarrer après le changement des paramètres. Dans ce cas-là, veuillez effacer les données CMOS et remettre les réglages par défaut.

### ► **FCH Base Clock[MHz]**

Cette option vous permet de régler la fréquence du Fusion Controller Hub (FCH). En mode Auto, le BIOS règle la fréquence automatiquement. Vous pouvez également la paramétrer manuellement.

### ► **A-XMP [Disabled]**

Activez la technologie A-XMP ou sélectionnez un profil de module de mémoire pour l'overclocking de la mémoire. Ce menu est seulement disponible si les modules de mémoire, le processeur et la carte mère installés supportent cette fonction.

### ► **DRAM Frequency [Auto]**

Définit la fréquence de la mémoire. Veuillez noter que le comportement de l'overclocking n'est pas garanti.

### ► Adjusted DRAM Frequency

Affiche la fréquence ajustée de la mémoire. Utilisable seulement en mode lecture.

### ► FCLK Frequency [Auto]

Définit la fréquence de FCLK (Horloge de la Data Fabric interne de la mémoire). Veuillez noter que le comportement de l'overclocking n'est pas garanti.

### ► UCLK DIV1 Mode [Auto]

Définit la fréquence UCLK (Horloge du contrôleur de mémoire interne).

### ► Memory Try It ! [Disabled]

Memory Try It! permet d'améliorer la compatibilité ou les performances en optimisant les pré-réglages de la mémoire. Ce menu est disponible lorsque le processeur installé supporte cette fonction.

### ► Memory Failure Retry [Enabled]

Active ou désactive la fonction de redémarrage système en cas d'échec d'overclocking de la mémoire.

### ► Memory Fast Boot [Enabled]

Active ou désactive l'initialisation et le test de la mémoire à chaque démarrage.

### ► Advanced DRAM Configuration

Appuyez sur la touche **Entrée** pour entrer dans le sous-menu. L'utilisateur peut régler la synchronisation de mémoire de chaque barrette de mémoire. Le système peut être instable ou peut ne plus redémarrer après le changement de la synchronisation de la mémoire. Dans ce cas-là, veuillez effacer les données CMOS et remettre les réglages par défaut. (référez-vous à la section cavalier Clear CMOS pour effacer les données CMOS et entrez ensuite dans le BIOS pour charger les réglages par défaut.)

### ► DigitALL Power sub-menu

Appuyez sur la touche **Entrée** pour entrer dans le sous-menu. Dans le sous-menu, vous pouvez installer des conditions de protection sur tension / courant / température pour le processeur.

### ► CPU Voltages control [Auto]

Permet de définir les tensions relatives au processeur. En mode **Auto**, le BIOS configure ces tensions automatiquement. Vous pouvez également les paramétrer manuellement.

### ► DRAM Voltages control [Auto]

Permet de définir les tensions relatives à la mémoire. En mode **Auto**, le BIOS configure ces tensions automatiquement. Vous pouvez également les paramétrer manuellement.

### ► Memory Changed Detect [Enabled]\*

Active ou désactive les messages d'alerte système au démarrage suite au remplacement de la mémoire.

- [Enabled] Le système montre un message d'alerte pendant le démarrage et vous devez charger les réglages par défaut pour les nouveaux périphériques.
- [Disabled] Désactive cette fonction et garde les réglages BIOS actuels.

### ► CPU Specifications sub-menu

Appuyez sur la touche **Entrée** pour accéder au sous-menu. Ce sous-menu affiche les caractéristiques du processeur installé. Vous pouvez également accéder à ce sous-menu à tout moment en appuyant sur la touche [F4]. Fonctionne en lecture seule.

### ► MEMORY-Z sub-menu

Appuyez sur la touche **Entrée** pour accéder au sous-menu. Ce sous-menu affiche tous les réglages et timings de la mémoire installée. Vous pouvez également accéder à ce sous-menu à tout moment en appuyant sur la touche [F5].

# Содержание

<b>Безопасное использование продукции .....</b>	<b>2</b>
<b>Технические характеристики .....</b>	<b>3</b>
<b>Комплект поставки .....</b>	<b>8</b>
<b>Задняя панель портов ввода/ вывода .....</b>	<b>9</b>
Таблица состояний индикатора порта LAN.....	9
Realtek Audio Console .....	9
<b>Компоненты материнской платы .....</b>	<b>12</b>
Процессорный сокет.....	13
Слоты DIMM .....	14
PCI_E1~3: Слоты расширения PCIe .....	15
SATA1~4: Разъемы SATA 6Гб/с.....	15
M2_1: Разъем M.2 (Ключ M) .....	16
JFP1, JFP2: Разъемы передней панели .....	18
JAUD1: Разъем аудио передней панели.....	18
CPU_PWR1, ATX_PWR1: Разъемы питания .....	19
JUSB3: Разъем USB 3.2 Gen 1 5Гб/с.....	20
JUSB1~2: Разъемы USB 2.0 .....	20
CPU_FAN1, SYS_FAN1: Разъемы вентиляторов.....	21
JTPM1: Разъем модуля TPM .....	22
JCOM1: Разъем последовательного порта.....	22
JCI1: Разъем датчика открытия корпуса .....	23
JBAT1: Джампер очистки данных CMOS (Сброс BIOS) .....	24
Индикаторы отладки EZ.....	24
JRGB1: Разъем RGB LED.....	25
JRAINBOW1: Разъем адресных RGB LED .....	26
<b>Установка ОС, драйверов и утилит .....</b>	<b>27</b>
Установка Windows® 10.....	27
Установка драйверов .....	27
Установка утилит .....	27
<b>UEFI BIOS.....</b>	<b>28</b>
Настройка BIOS.....	29
Вход в настройки BIOS.....	29
Сброс BIOS .....	30
Обновление BIOS.....	30
Режим EZ.....	32
Режим разгона .....	35
Меню ОС.....	36

# Безопасное использование продукции

- Компоненты, входящие в комплект поставки могут быть повреждены статическим электричеством. Для успешной сборки компьютера, пожалуйста, следуйте указаниям ниже.
- Убедитесь, что все компоненты компьютера подключены должным образом. Ослабленные соединения компонентов могут привести как к сбоям в работе, так и полной неработоспособности компьютера.
- Чтобы избежать повреждений компонентов платы всегда держите ее за края.
- При сборке компьютера рекомендуется пользоваться электростатическим браслетом. В случае, если это невозможно, перед работой с платой снимите электростатический заряд со своего тела, прикоснувшись к металлическому предмету.
- В случае, если материнская плата не установлена в корпус, храните ее в антистатической упаковке или на антистатическом коврикe.
- Перед включением компьютера убедитесь, что все винты крепления и другие металлические компоненты на материнской плате и внутри корпуса надежно зафиксированы.
- Не включайте компьютер, если сборка не завершена. Это может привести к повреждению компонентов, а также травмированию пользователя.
- Если вам нужна помощь на любом этапе сборки компьютера, пожалуйста, обратитесь к сертифицированному компьютерному специалисту.
- Всегда выключайте питание и отсоединяйте шнур питания от электрической розетки перед установкой или удалением любого компонента компьютера.
- Сохраните это руководство для справки.
- Не допускайте воздействия на материнскую плату высокой влажности.
- Перед тем как подключить блок питания компьютера к электрической розетке убедитесь, что напряжение электросети соответствует напряжению, указанному на блоке питания.
- Располагайте шнур питания так, чтобы на него не могли наступить люди. Не ставьте на шнур питания никаких предметов.
- Необходимо учитывать все предостережения и предупреждения, указанные на материнской плате.
- При возникновении любой из перечисленных ниже ситуаций обратитесь в сервисный центр для проверки материнской платы:
  - Попадание жидкости внутрь компьютера.
  - Материнская плата подверглась воздействию влаги.
  - Материнская плата не работает должным образом или невозможно наладить ее работу в соответствии с руководством пользователя.
  - Материнская плата получила повреждения при падении.
  - Материнская плата имеет явные признаки повреждения.
- Не храните материнскую плату в местах с температурой выше 60 °C (140 °F), так как это может привести к ее повреждению.



# Технические характеристики

<b>Процессор</b>	Поддержка процессоров AMD Ryzen™ 3-го поколения для настольных ПК и процессоров AMD Ryzen™ 4000 G-серии для настольных ПК
<b>Чипсет</b>	<ul style="list-style-type: none"> <li>• AMD B550 (MAG B550M VECTOR WIFI)</li> <li>• AMD A520 (MAG A520M VECTOR WIFI)</li> </ul>
<b>Память</b>	<ul style="list-style-type: none"> <li>• 2x слота памяти DDR4 с поддержкой до 64ГБ*             <ul style="list-style-type: none"> <li>▪ Поддержка DDR4 1866/ 2133/ 2400/ 2667/ 2800/ 2933/ 3000/ 3066/ 3200 МГц по стандарту JEDEC</li> <li>▪ Поддержка DDR4 2667/ 2800 /2933 /3000 /3066 /3200 /3466 /3600/ 3733 /3866 /4000 /4133 /4266 /4400/ 4600+ с поддержкой режима A-XMP OC MODE                 <ul style="list-style-type: none"> <li>▫ 1DPC 1R поддерживает максимальную частоту 4600 МГц</li> <li>▫ 1DPC 2R поддерживает максимальную частоту 3866 МГц</li> </ul> </li> </ul> </li> <li>• Двухканальная архитектура памяти</li> <li>• Поддержка non-ECC UDIMM памяти</li> <li>• Поддержка ECC UDIMM памяти (non-ECC режим)</li> <li>• Поддержка небуферизованной памяти</li> </ul> <p>* Пожалуйста, обратитесь <a href="http://www.msi.com">www.msi.com</a> для получения дополнительной информации о совместимых модулях памяти.</p>
<b>Слоты расширения</b>	<ul style="list-style-type: none"> <li>• 1x слот PCIe x16 (PCI_E2)             <ul style="list-style-type: none"> <li>▪ MAG B550M VECTOR WIFI поддерживает PCIe 4.0/3.0*</li> <li>▪ MAG A520M VECTOR WIFI поддерживает PCIe 3.0</li> </ul> </li> <li>• 2x слота PCIe 3.0 x1</li> </ul> <p>* Спецификации PCIe могут меняться в зависимости от установленного процессора.</p>
<b>Встроенная графика</b>	<ul style="list-style-type: none"> <li>• 1x порт HDMI 2.1, с поддержкой максимального разрешения 4096x2160 @60Гц**</li> <li>• 1x порт DisplayPort 1.2, с поддержкой максимального разрешения 4096x2160 @60Гц**</li> <li>• Максимальная общая память – 16 ГБ</li> </ul> <p>* Спецификации видеокарт могут меняться в зависимости от установленного процессора.</p> <p>** Доступно для процессоров с интегрированной графикой.</p>

Продолжение на следующей странице

Продолжение с предыдущей страницы

<b>Подключение накопителей</b>	<p>Чипсет AMD B550/A520</p> <ul style="list-style-type: none"><li>• 4x порта SATA 6Гб/с</li><li>• 1x разъем M.2 (Ключ M) (для процессоров AMD)<ul style="list-style-type: none"><li>▪ MAG B550M VECTOR WIFI поддерживает PCIe 4.0/3.0 x4*</li><li>▪ MAG A520M VECTOR WIFI поддерживает PCIe 3.0 x4</li><li>▪ Поддержка SATA 6Гб/с</li><li>▪ Поддержка накопителей 2242/ 2260 /2280</li></ul></li></ul> <p>* Спецификации PCIe могут меняться в зависимости от установленного процессора.</p>
<b>RAID</b>	Поддержка RAID 0, RAID 1 и RAID 10 для накопителей SATA
<b>USB</b>	<p>Контроллер AMD B550/A520</p> <ul style="list-style-type: none"><li>• 2x порта USB 3.2 Gen 1 5Гбит/с (2 порта доступны через внутренние разъемы USB 3.2 Gen 1 5Гбит/с)</li><li>• 6x портов USB 2.0 (2 порта Type-A на задней панели, 4 порта доступны через внутренние разъемы USB 2.0)</li></ul> <p>Контроллер процессоров AMD</p> <ul style="list-style-type: none"><li>• 4x порта USB 3.2 Gen 1 5Гбит/с Type-A на задней панели</li></ul>
<b>Аудио</b>	<p>Realtek® ALC892 Codec</p> <ul style="list-style-type: none"><li>• 7.1-канальный High Definition Audio</li></ul>
<b>LAN</b>	1x сетевой контроллер Realtek® RTL8111H
<b>WiFi и Bluetooth®</b>	<p>Модуль беспроводной связи на базе Intel® Dual Band Wireless-AC 3168</p> <ul style="list-style-type: none"><li>• Поддержка Wi-Fi 802.11 a/b/g/n/ac, два диапазона (2.4ГГц, 5ГГц) со скоростью передачи до 433 Мбит/с.</li><li>• Поддержка Dual Mode Bluetooth 2.1, 2.1+EDR, 3.0, 4.0, BLE, 4.2</li></ul>

Продолжение на следующей странице

Продолжение с предыдущей страницы

<b>Разъемы на плате</b>	<ul style="list-style-type: none"><li>• 1x 24-контактный разъем питания ATX</li><li>• 1x 8-контактный разъем питания ATX 12B</li><li>• 4x разъема SATA 6Гб/с</li><li>• 1x разъем последовательного порта</li><li>• 1x разъем M.2 (Ключ M)</li><li>• 1x разъем USB 3.2 Gen 1 5Гб/с (поддержка 2-х дополнительных портов USB 3.2 Gen 1 5Гб/с)</li><li>• 2x разъема USB 2.0 (поддержка 4-х дополнительных портов USB 2.0)</li><li>• 1x 4-контактный разъем вентилятора процессора</li><li>• 1x 4-контактный разъем вентилятора системы</li><li>• 1x разъем аудио передней панели</li><li>• 2x разъема системной панели</li><li>• 1x разъем датчика открытия корпуса</li><li>• 1x 4-контактный разъем RGB LED</li><li>• 1x 3-контактный разъем RAINBOW LED</li><li>• 1x разъем модуля TPM</li><li>• 1x джампер очистки данных CMOS</li></ul>
<b>Параметры индикаторов</b>	<ul style="list-style-type: none"><li>• 4x индикатора отладки EZ</li></ul>
<b>Разъемы задней панели</b>	<ul style="list-style-type: none"><li>• 1x комбинированный порт PS/2 клавиатуры/ мыши</li><li>• 2x порта USB 2.0 Type-A</li><li>• 1x порт DisplayPort</li><li>• 1x порт HDMI</li><li>• 1x порт LAN (RJ45)</li><li>• 4x порта USB 3.2 Gen 1 5Гб/с Type-A</li><li>• 2x разъема антенны Wi-Fi</li><li>• 3x аудиоразъема</li></ul>
<b>Контроллер ввода-вывода</b>	NUVOTON NCT6687-R

Продолжение на следующей странице

Продолжение с предыдущей страницы

<b>Аппаратный мониторинг</b>	<ul style="list-style-type: none"><li>• Определение температуры процессора/системы/чипсета</li><li>• Определение скорости вентиляторов процессора/системы/чипсета</li><li>• Управление скоростью вентиляторов процессора/системы/чипсета</li></ul>
<b>Форм-фактор</b>	<ul style="list-style-type: none"><li>• m-ATX Форм-фактор</li><li>• 9.6 x 8.3 дюйма (24.4 x 21 см)</li></ul>
<b>Параметры BIOS</b>	<ul style="list-style-type: none"><li>• 1x 256 Мб флэш</li><li>• UEFI AMI BIOS</li><li>• ACPI 6.0, SMBIOS 2.8</li><li>• Мультиязычный интерфейс</li></ul>
<b>Программное обеспечение</b>	<ul style="list-style-type: none"><li>• Драйверы</li><li>• DRAGON CENTER</li><li>• CPU-Z MSI GAMING</li><li>• Google Chrome™, Google Toolbar, Google Drive</li><li>• Norton™ Internet Security Solution</li></ul>
<b>Функции Dragon Center</b>	<ul style="list-style-type: none"><li>• Gaming Mode</li><li>• Gaming Hotkey</li><li>• Mystic Light</li><li>• Ambient Link</li><li>• User Scenario</li><li>• Hardware Monitor</li><li>• True Color</li><li>• Live Update</li><li>• Speed Up</li><li>• Smart Tool</li><li>• Super Charger</li></ul> <div data-bbox="657 976 785 1104"></div> <p data-bbox="653 1107 925 1165">Для подробностей обратитесь <a href="http://download.msi.com/manual/mb/DRAGONCENTER2.pdf">http://download.msi.com/manual/mb/DRAGONCENTER2.pdf</a></p>

Продолжение на следующей странице

Продолжение с предыдущей страницы

**Эксклюзивные  
функции**

- **Аудио**
  - Audio Boost
- **Сеть**
  - Intel WiFi
- **Охлаждение**
  - M.2 Shield Frozr
  - Smart Fan Control
- **Индикатор**
  - Mystic Light Extension (RAINBOW/RGB)
  - Mystic Light SYNC
  - EZ DEBUG LED
- **Производительность**
  - DDR4 Boost
  - Core Boost
  - GAME Boost (только для модели MAG B550M VECTOR WIFI)
  - Слот Lightning Gen4 PCI-E (только для модели MAG B550M VECTOR WIFI)
  - Lightning Gen4 M.2 (только для модели MAG B550M VECTOR WIFI)
- **Защита**
  - PCI-E Steel Armor (только для модели MAG B550M VECTOR WIFI)
- **Опыт использования**
  - Dragon Center
  - Click BIOS 5

# Комплект поставки

Проверьте комплект поставки материнской платы. В него должны входить следующие элементы:

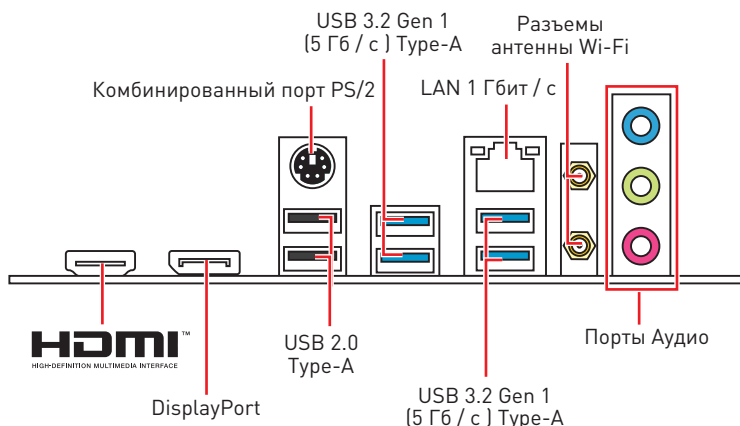
Материнская плата	MAG B550M VECTOR WIFI/ MAG A520M VECTOR WIFI	
Кабели	Кабели SATA 6Гб/с (2 шт./уп.)	1
Аксессуары	Винты для M.2 (3 шт./уп.)	1
	Регистрационная карточка продукта	1
	Антенна Wi-Fi	1
	Заглушка материнской платы на заднюю панель	1
	Наклейка с логотипом	1
Диск с утилитами	Диск с драйверами	1
Документы	Руководство пользователя	1
	Руководство по быстрой установке	1
	Карта MSI Программ Совместимости компонентов и Наград (только для модели MAG B550M VECTOR WIFI)	1



## **Внимание!**

Если какой-либо элемент из комплекта поставки поврежден или отсутствует, пожалуйста, свяжитесь с продавцом.

# Задняя панель портов ввода/ вывода



## Таблица состояний индикатора порта LAN

Подключение/ Работа индикатора		Состояние	Скорость передачи данных
Состояние	Описание		
Выкл.	Не подключен	Выкл.	10 Мбит/с подключение
Желтый	Подключен	Зеленый	100/1000 Мбит/с подключение
Мигает	Передача данных	Оранжевый	1 Гбит/с

## Realtek Audio Console

После установки Realtek Audio Console вы можете использовать его для изменения параметров звука, чтобы улучшить качество звука.

Дополнительные эффекты

Выбор устройства

Master-громкость

Настройки подключений

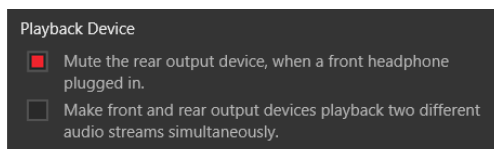
Состояние разъемов

- **Выбор устройства** – позволяет выбрать источник аудио выхода и изменить соответствующие параметры. Отмеченное устройство будет использоваться по умолчанию.
- **Дополнительные эффекты** – это список опций по настройке звуковых эффектов для входного и выходного сигнала аудио устройства.
- **Мастер-громкость** – регулирует громкость или баланс правой и левой колонок, подключенных к передней или задней панели.
- **Состояние разъемов** – отображает все устройства воспроизведения и записи, подключенные к компьютеру.
- **Настройки подключений** – настраивают параметры подключения.

## Audio 7.1-конфигурация каналов

Для настройки 7.1 канального аудио необходимо подключить фронтальную звуковую панель к разъему JAUD1. Далее следуйте указаниям ниже.

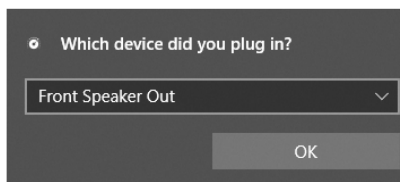
1. Нажмите на Realtek Audio Console > Advanced Settings, чтобы открыть диалоговое окно, как показано ниже.



2. Выберите Mute the rear output device, when a front headphone plugged in.
3. Подключите колонки к аудио разъемам на задней и передней панели. При подключении устройства к разъему аудио появится диалоговое окно с просьбой подтвердить подключенное устройство.

## Автоматическое всплывающее диалоговое окно

При подключении устройства к разъему аудио появится диалоговое окно с просьбой подтвердить подключенное устройство.



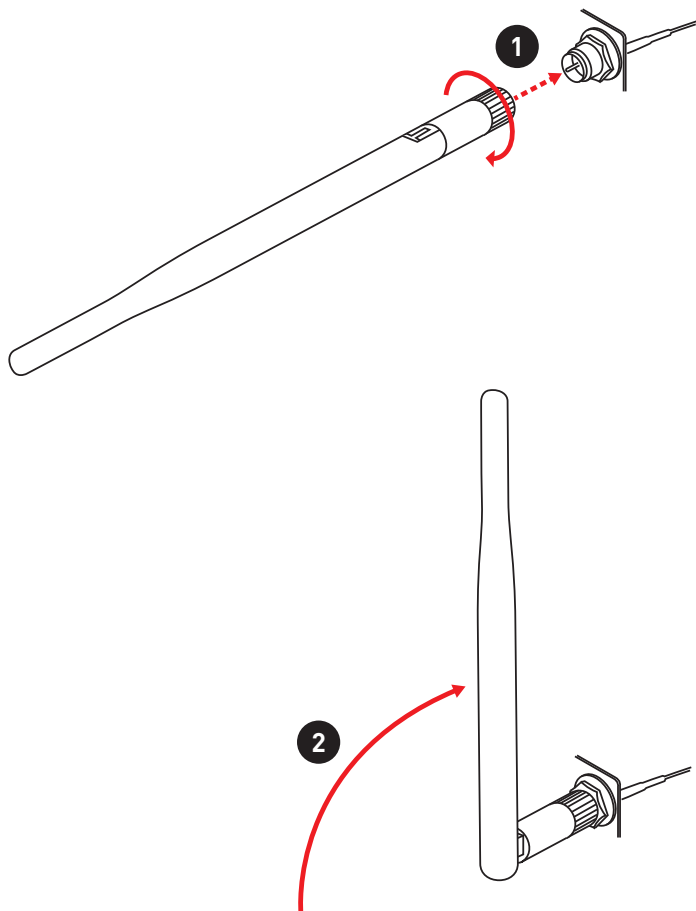
**Внимание!**

Изображения приведены исключительно в справочных целях и могут отличаться от фактических.

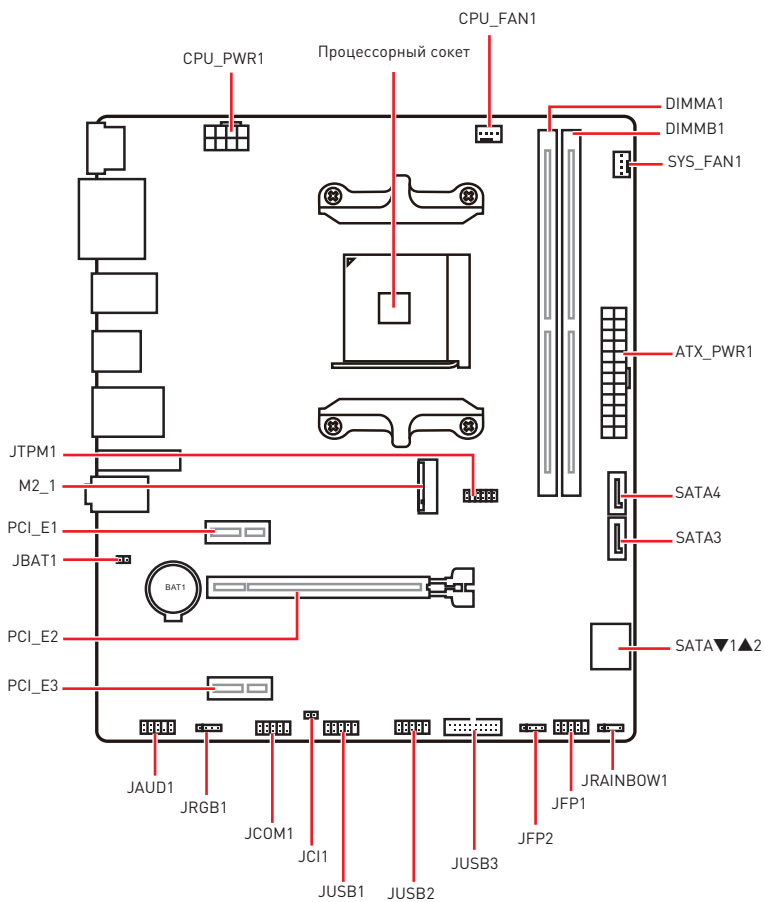


## Установка антенн

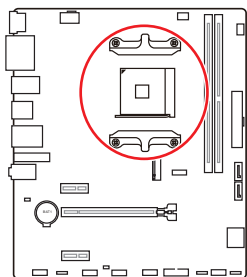
1. Прикрутите антенну к разъему антенны WiFi, как показано на рисунке ниже.
2. Отрегулируйте угол наклона антенны.



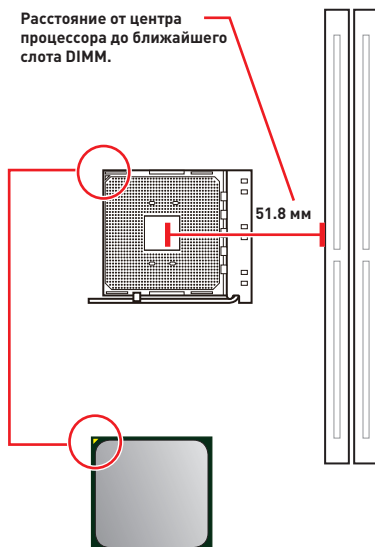
# Компоненты материнской платы



## Процессорный сокет



Расстояние от центра процессора до ближайшего слота DIMM.



### Процессор AM4

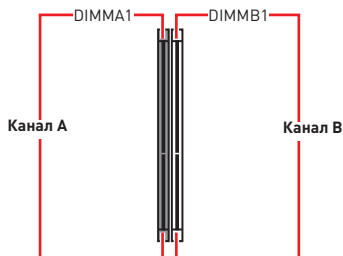
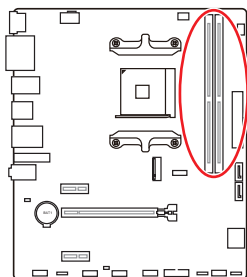
На поверхности процессора AM4 имеется золотой треугольник для правильной установки процессора относительно процессорного сокета материнской платы. Золотой треугольник указывает на контакт 1.



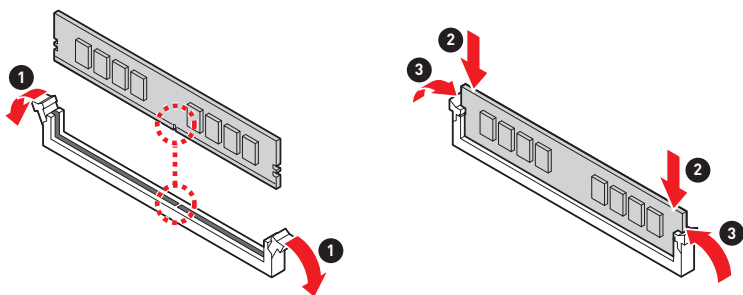
#### **Внимание!**

- Из-за особенностей архитектуры процессоров AM4, замена процессора может привести к сбросу настроек BIOS до значений по умолчанию.
- Перед установкой или заменой процессора, необходимо отключить кабель питания.
- При установке процессора обязательно установите процессорный кулер. Кулер, представляющий собой систему охлаждения процессора, предотвращает перегрев и обеспечивает стабильную работу системы.
- Перед включением системы проверьте герметичность соединения между процессором и радиатором.
- Перегрев может привести к серьезному повреждению процессора и материнской платы. Всегда проверяйте работоспособность вентилятора для защиты процессора от перегрева. При установке кулера нанесите ровный слой термопасты (или термопленку) на крышку установленного процессора для улучшения теплопередачи.
- Если вы приобрели отдельно процессор и процессорный кулер, подробное описание установки см. в документации в данном кулеру.
- Данная системная плата разработана с учетом возможности ее «разгона». Перед выполнением разгона системы убедитесь в том, что все компоненты системы смогут его выдержать. Производитель не рекомендует использовать параметры, выходящие за пределы технических характеристик устройств. Гарантия MSI® не распространяется на повреждения и другие возможные последствия ненадлежащей эксплуатации оборудования.

## Слоты DIMM



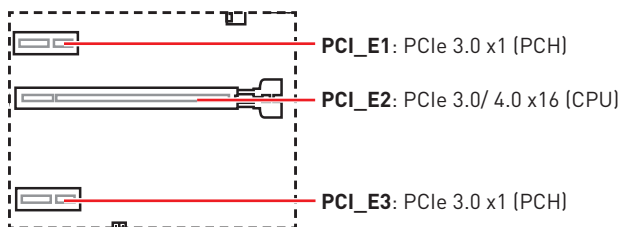
## Рекомендации по установке модулей памяти



### **Внимание!**

- В связи со спецификой использования ресурсов чипсета, доступный объем памяти будет немного меньше, чем фактически установленный.
- На основе характеристик процессора, рекомендуется устанавливать напряжение на памяти DIMM менее 1.35 В. Это позволит защитить процессор.
- Из-за ограничений официальной спецификации процессора AM4/ контроллера памяти, модули памяти могут работать на частотах ниже заявленной производителем при настройках по умолчанию.
- Дополнительную информацию о совместимых модулях памяти можно найти на веб-сайте [www.msi.com](http://www.msi.com).

## PCI\_E1~3: Слоты расширения PCIe

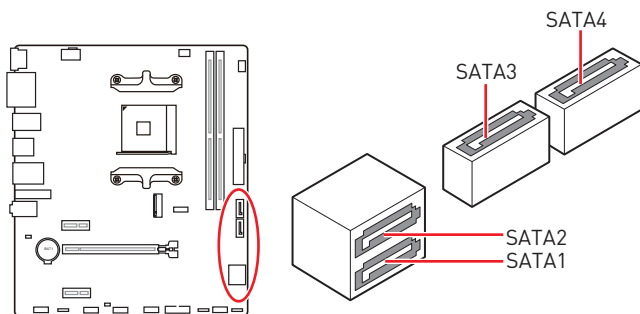


### **Внимание!**

- При установке массивной видеокарты, необходимо использовать такой инструмент, как **MSI Gaming Series Graphics Card Bolster** для поддержки веса графической карты и во избежание деформации слота.
- Перед установкой или извлечением плат расширения убедитесь, что кабель питания отключен от электрической сети. Прочтите документацию на карту расширения и выполните необходимые дополнительные аппаратные или программные изменения для данной карты.

## SATA1~4: Разъемы SATA 6Гб/с

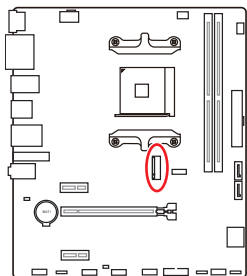
Эти разъемы представляют собой интерфейсные порты SATA 6Гб/с. К каждому порту можно подключить одно устройство SATA.



### **Внимание!**

- Избегайте перегибов кабеля SATA под прямым углом. В противном случае, возможна потеря данных при передаче.
- Кабели SATA оснащены одинаковыми коннекторами с обеих сторон. Однако, для экономии занимаемого пространства к материнской плате рекомендуется подключать плоский разъем.

## M2\_1: Разъем M.2 (Ключ M)



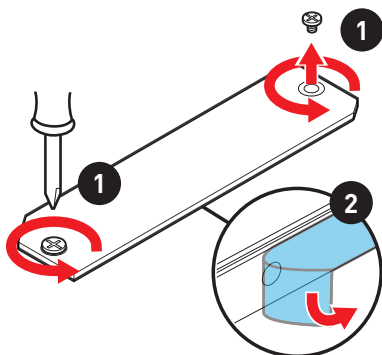
### **Видео Инструкция**

Смотрите видео, чтобы узнать как использовать модуль M.2.

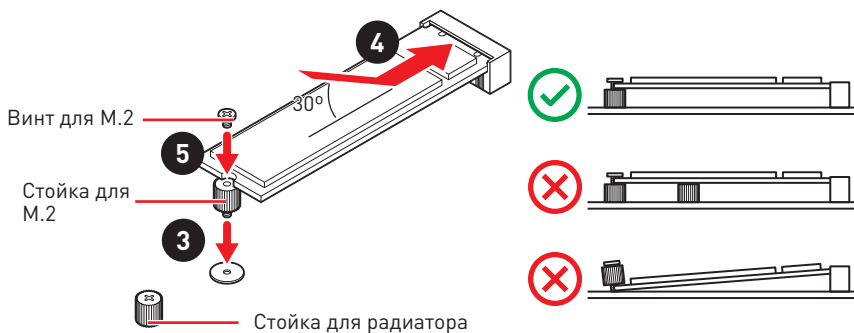
<http://youtu.be/JCTFABytrYA>

### **Установка модуля M.2**

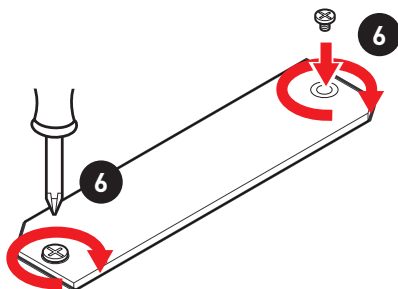
1. Удалите винты для радиатора M.2 SHIELD FROZR.
2. Удалите M.2 SHIELD FROZR и снять защитную пленку с термоинтерфейса.



3. Закрутите стойку для крепления M.2 модуля в подходящее отверстие, в соответствии с длиной вашего M.2 SSD. Если модуль M.2 SSD и радиатор M.2 имеют одинаковую длину, во избежание повреждения модуля M.2 SSD выкрутите стойку M.2.
4. Вставьте M.2 SSD в разъем M.2 под углом 30 градусов.
5. Закрепите устройства M.2 с помощью винта для M.2. Пропустите этот шаг, если стойка M.2 была выкручена на шаге 3.

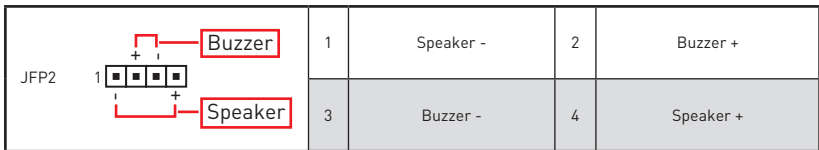
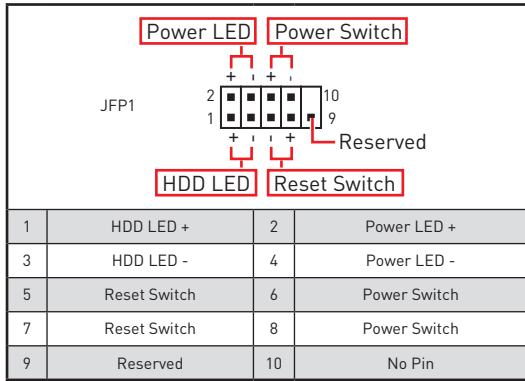
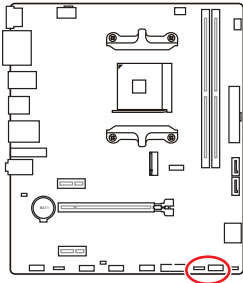


6. Установите на место радиатор M.2 SHIELD FROZR и закрепите его.



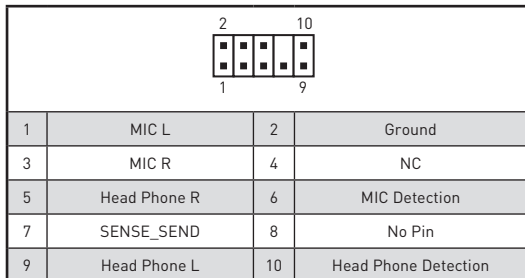
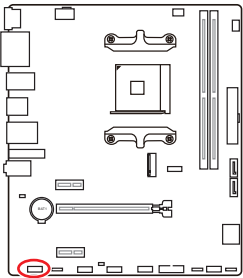
## JFP1, JFP2: Разъемы передней панели

Эти разъемы служат для подключения кнопок и светодиодных индикаторов, расположенных на передней панели.



## JAUD1: Разъем аудио передней панели

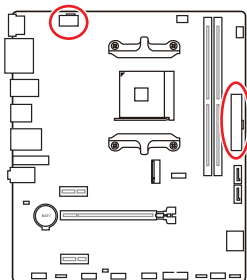
Данный разъем предназначен для подключения аудиоразъемов передней панели.





## CPU\_PWR1, ATX\_PWR1: Разъемы питания

Данные разъемы предназначены для подключения блока питания АТХ.



1	Ground	5	+12V
2	Ground	6	+12V
3	Ground	7	+12V
4	Ground	8	+12V

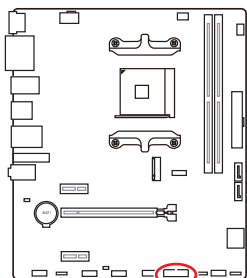
1	+3.3V	13	+3.3V
2	+3.3V	14	-12V
3	Ground	15	Ground
4	+5V	16	PS-ON#
5	Ground	17	Ground
6	+5V	18	Ground
7	Ground	19	Ground
8	PWR OK	20	Res
9	5VSB	21	+5V
10	+12V	22	+5V
11	+12V	23	+5V
12	+3.3V	24	Ground

### **Внимание!**

Для обеспечения стабильной работы системной платы проверьте надежность подключения всех кабелей питания к блоку питания АТХ.

## JUSB3: Разъем USB 3.2 Gen 1 5Гб/с

Данный разъем предназначен для подключения портов USB 3.2 Gen 1 5Гб/с на передней панели.



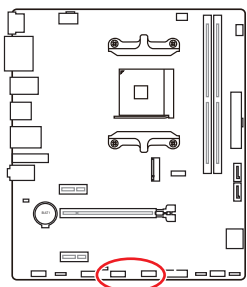
1	Power	11	USB2.0+
2	USB3_RX_DN	12	USB2.0-
3	USB3_RX_DP	13	Ground
4	Ground	14	USB3_TX_C_DP
5	USB3_TX_C_DN	15	USB3_TX_C_DN
6	USB3_TX_C_DP	16	Ground
7	Ground	17	USB3_RX_DP
8	USB2.0-	18	USB3_RX_DN
9	USB2.0+	19	Power
10	Ground	20	No Pin

### **Внимание!**

Помните, что во избежание повреждений, необходимо правильно подключать контакты питания и земли.

## JUSB1~2: Разъемы USB 2.0

Данные разъемы предназначены для подключения портов USB 2.0 на передней панели.



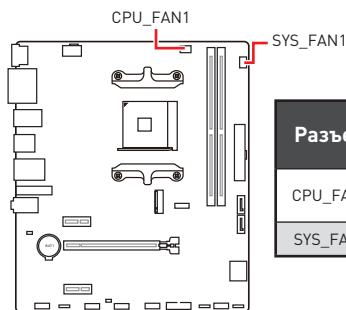
1	VCC	2	VCC
3	USB0-	4	USB1-
5	USB0+	6	USB1+
7	Ground	8	Ground
9	No Pin	10	NC

### **Внимание!**

- Помните, что во избежание повреждений, необходимо правильно подключать контакты VCC и земли.
- Для того, чтобы зарядить ваш iPad, iPhone и iPod через порты USB, пожалуйста, установите утилиту MSI® DRAGON CENTER.

## CPU\_FAN1, SYS\_FAN1: Разъемы вентиляторов

Разъемы вентиляторов можно разделить на два типа: с PWM (Pulse Width Modulation) управлением и управлением постоянным током. Разъемы вентиляторов с PWM управлением имеют контакт с постоянным напряжением 12В, а также контакт с сигналом управления скоростью вращения. Управление скоростью вращения вентиляторов с управлением постоянным током, осуществляется через соответствующие разъемы путем изменения величины напряжения. Разъемы автоматического определения автоматически определяют режим работы вентиляторов: PWM или DC. Для настройки режима работы вентилятора вручную (PWM или DC), следуйте указаниям ниже.



Разъем	Режим по умолчанию	Макс. ток	Макс. мощность
CPU_FAN1	Режим автоматического определения	2А	24Вт
SYS_FAN1	Режим DC	1А	12Вт

### Переключение режимов работы и скорости вращения вентилятора

В меню **BIOS > HARDWARE MONITOR** вы можете выбрать режим работы вентилятора: PWM или DC, а также настроить его скорость вращения.

Выберите режим **PWM** или **DC**




Вы можете регулировать скорость вращения вентилятора в зависимости от температуры процессора путем изменения положения градиентных точек.



**Внимание!**

Убедитесь, что вентиляторы работают правильно после выбора режима PWM/ DC.

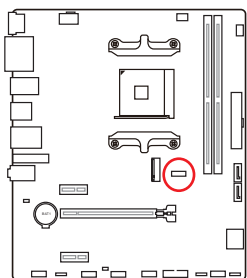
### Назначение контактов разъема для подключения вентилятора


1  Назначение контактов разъема для режима PWM			
1	Ground	2	+12V
3	Sense	4	Speed Control Signal

1  Назначение контактов разъема для режима DC			
1	Ground	2	Voltage Control
3	Sense	4	NC

## JTPM1: Разъем модуля TPM

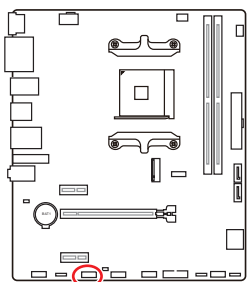
Данный разъем используется для подключения модуля TPM (Trusted Platform Module). Дополнительные сведения см. в описании модуля TPM.

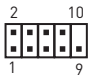


			
1	SPI Power	2	SPI Chip Select
3	Master In Slave Out (SPI Data)	4	Master In Slave In (SPI Data)
5	Reserved	6	SPI Clock
7	Ground	8	SPI Reset
9	Reserved	10	No Pin
11	Reserved	12	Interrupt Request

## JCOM1: Разъем последовательного порта

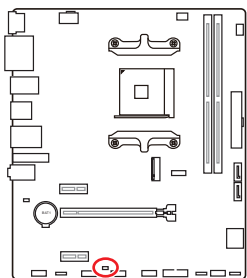
Данный разъем позволяет подключить последовательный порт, размещенный на внешнем brackets.



			
1	DCD	2	SIN
3	SOUT	4	DTR
5	Ground	6	DSR
7	RTS	8	CTS
9	RI	10	No Pin

## JCI1: Разъем датчика открытия корпуса

К этому разъему подключается кабель от датчика открытия корпуса.



Нормально  
(По умолчанию)



Разрешить запись по  
событию открытия корпуса

### Использование датчика открытия корпуса

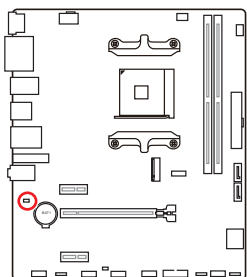
1. Подключите датчик открытия корпуса к разъему **JCI1**.
2. Закройте крышку корпуса.
3. Войдите в **BIOS > SETTINGS > Security > Chassis Intrusion Configuration**.
4. Установите **Chassis Intrusion** в **Enabled**.
5. Нажмите клавишу **F10**, чтобы сохранить настройки и выйти, а затем нажмите клавишу **Enter**, чтобы выбрать **Yes**.
6. При открытии корпуса на экране будет появляться предупреждающее сообщение каждый раз при включении компьютера.

### Сброс сообщения об открытии корпуса

1. Войдите в **BIOS > SETTINGS > Security > Chassis Intrusion Configuration**.
2. Выберите **Chassis Intrusion, Reset**.
3. Нажмите клавишу **F10**, чтобы сохранить изменения и выйти, а затем нажмите клавишу **Enter**, чтобы выбрать **Yes**.

## JBAT1: Джемпер очистки данных CMOS (Сброс BIOS)

На плате установлена CMOS память с питанием от батарейки для хранения данных о конфигурации системы. Для сброса конфигурации системы (очистки данных CMOS памяти), воспользуйтесь этим джемпером.



Сохранение данных  
(По умолчанию)



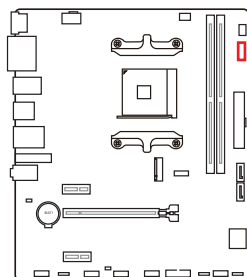
Очистка данных/  
Сброс BIOS

## Сброс настроек BIOS до значений по умолчанию

1. Выключите компьютер и отключите шнур питания.
2. Используйте джемпер, чтобы замкнуть соответствующие контакты **JBAT1** в течение 5-10 секунд.
3. Снимите джемпер с контактов **JBAT1**.
4. Подключите шнур питания и включите компьютер.

## Индикаторы отладки EZ

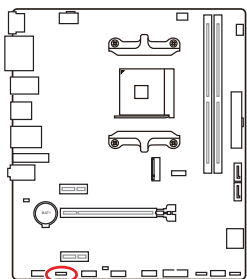
Данные светодиоды показывают состояния отладки материнской платы.



- CPU** - процессор не обнаружен или поврежден.
- DRAM** - память DRAM не обнаружена или повреждена.
- VGA** - устройство GPU/ PCIE/ M.2 не обнаружено или повреждено.
- BOOT** - устройство загрузки не обнаружено или повреждено.

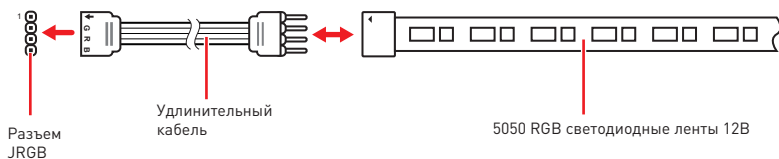
## JRGB1: Разъем RGB LED

Разъем JRGB предназначен для подключения 5050 RGB светодиодных лент 12В.

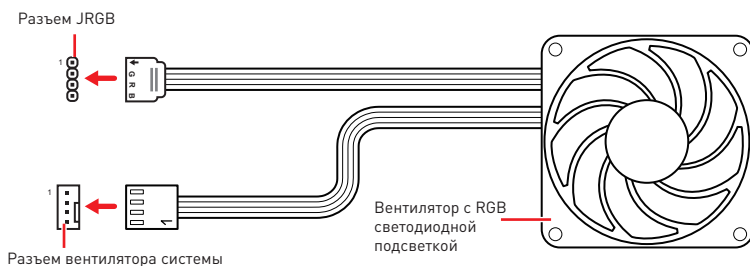


1			
1	+12V	2	G
3	R	4	B

### Подключение RGB светодиодных лент



### Подключение вентиляторов с RGB светодиодной подсветкой

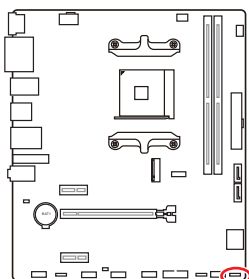


### **Внимание!**

- Разъем JRGB поддерживает подключение 5050 RGB непрерывных светодиодных лент (12В/G/R/B) длиной до 2 метров с максимальной мощностью 3А (12В).
- Перед установкой или заменой светодиодных лент RGB, необходимо полностью обесточить систему и отключить кабель питания.
- Используйте утилиту MSI для управления удлинительными светодиодными лентами.

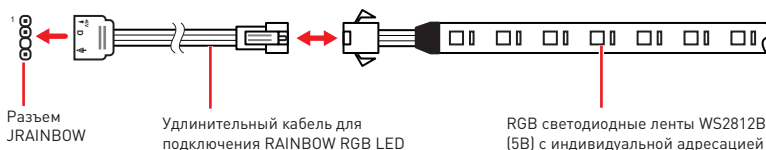
## JRAINBOW1: Разъем адресных RGB LED

Разъем JRAINBOW предназначен для подключения RGB светодиодных лент WS2812B (5B) с индивидуальной адресацией.

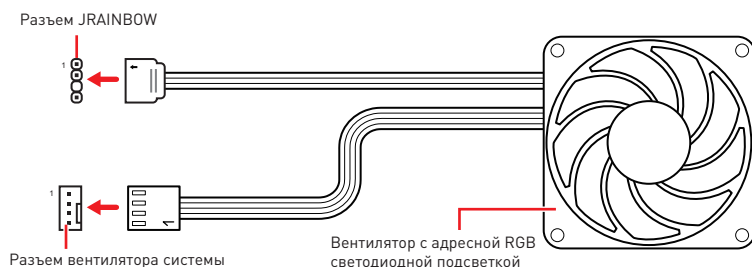


1			
1	+5V	2	Data
3	No Pin	4	Ground

### Подключение адресных RGB светодиодных лент



### Подключение вентиляторов с адресной RGB светодиодной подсветкой



### **ВНИМАНИЕ!**

Не подключайте несовместимые с материнской платой светодиодные ленты. Разъем JRAINBOW и разъем JRAINBOW имеют разное напряжение, и подключение светодиодных лент 5B к разъему JRGB приведет к их повреждению.

### **Внимание!**

- Разъем JRAINBOW поддерживает подключение RGB светодиодных лент WS2812B с индивидуальной адресацией (5B/Data/Ground) с максимальной мощностью 3A (5B), и максимальное количество светодиодов составляет 75. Когда яркость подсветки установлена на 20%, к данному разъему можно подключить до 200 светодиодов.
- Перед установкой или заменой светодиодных лент RGB, необходимо полностью обесточить систему и отключить кабель питания.
- Используйте утилиту MSI для управления удлинительными светодиодными лентами.



# Установка ОС, драйверов и утилит

Скачайте и обновите последние утилиты и драйверы с сайта: [www.msi.com](http://www.msi.com)

## Установка Windows® 10

1. Включите компьютер.
2. Вставьте диск Windows® 10 в привод для оптических дисков или вставьте в разъем USB компьютера USB флэш-диск, содержащий установочный файл Windows® 10.
3. Нажмите кнопку **Restart** на корпусе компьютера.
4. Нажмите клавишу **F11** во время POST (Power-On Self Test) компьютера, чтобы войти в меню загрузки.
5. Выберите оптический привод / USB флэш-диск в меню загрузки.
6. Нажмите любую клавишу, когда на экране показывает сообщение **Press any key to boot from CD or DVD**
7. Следуйте инструкциям на экране, чтобы установить Windows® 10.

## Установка драйверов

1. Загрузите компьютер в Windows® 10.
2. Вставьте диск с драйверами MSI® Drive Disc в привод для оптических дисков.
3. Нажмите всплывающее окно **Select to choose what happens with this disc** и выберите **Run DVDSetup.exe**, чтобы открыть окно установщика. Если функция автозапуска в Панели управления Windows выключена, вы также можете вручную запустить файл **DVDSetup.exe** из корневой папки диска с драйверами MSI Drive Disc.
4. Окно установщика найдет и перечислит все необходимые драйверы во вкладке **Drivers/Software**.
5. Нажмите кнопку **Install** в правом нижнем углу окна установщика.
6. Начнется установка драйверов. После ее завершения будет предложено перезапустить систему.
7. Нажмите кнопку **OK** для завершения.
8. Перезапустите компьютер.

## Установка утилит

Перед установкой утилиты необходимо выполнить установку драйверов.

1. Откройте окно установщика, как описано выше.
2. Нажмите вкладку **Utilities**.
3. Выберите необходимые для установки утилиты.
4. Нажмите кнопку **Install** в правом нижнем углу окна установщика.
5. Начнется установка программного обеспечения. После ее завершения будет предложено перезапустить систему.
6. Нажмите кнопку **OK** для завершения.
7. Перезапустите компьютер.

# UEFI BIOS

MSI UEFI BIOS совместим с архитектурой UEFI (Unified Extensible Firmware Interface). Прошивка UEFI имеет множество новых функций и преимуществ, которые не поддерживаются традиционным BIOS. UEFI полностью заменит традиционный BIOS в будущем. Чтобы использовать полный функционал нового чипсета, режим загрузки по умолчанию для MSI UEFI BIOS является UEFI. В меню BIOS доступен также режим CSM (модуль поддержки совместимости), который совместим с устаревшими устройствами. Это позволяет заменять устаревшие устройства на UEFI-совместимые устройства на время переходного периода.



## Внимание!

Термин BIOS в этом руководстве пользователя относится к UEFI BIOS, если не указано иное.

## Преимущества UEFI

- Быстрая загрузка - Можно загружать операционную систему напрямую из UEFI без самопроверки BIOS. Не требуется переключение в режим CSM во время процедуры POST.
- Поддерживает разделы жесткого диска объемом более 2 ТБ.
- Поддерживает более 4 основных разделов с таблицей разделов GUID (GPT).
- Поддерживает неограниченное количество разделов.
- Поддерживает полный функционал новых устройств - Новые устройства могут не поддерживать обратную совместимость.
- Поддерживает запуск ОС в безопасном режиме - UEFI может проверить работоспособность операционной системы, чтобы убедиться, что вредоносные программы не влияют на процесс загрузки.

## В следующих случаях система несовместима с архитектурой UEFI

- **32-битная ОС Windows** - Эта материнская плата поддерживает только Windows 10 64-битную операционную систему.
- **Видеокарта устаревшего поколения** - Система определяет модель установленной видеокарты и отображает предупреждающее сообщение «**There is no GOP (Graphics Output protocol) support detected in this graphics card**».

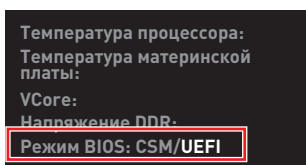


## Внимание!

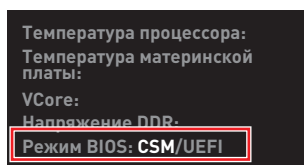
Рекомендуется использовать видеокарту, совместимую с GOP/UEFI.

## Как проверить режим BIOS?

Зайдите в BIOS и выберите режим BIOS в верхней части экрана.



Режим загрузки UEFI



Режим загрузки CSM

## Настройка BIOS

Настройки по умолчанию обеспечивают оптимальную производительность и стабильность системы при нормальных условиях. Если вы недостаточно хорошо знакомы с BIOS, **всегда устанавливайте настройки по умолчанию**. Это позволит избежать возможных повреждений системы, а также проблем с загрузкой.



### **Внимание!**

- С целью улучшения производительности, меню BIOS постоянно обновляется. В связи с этим данное описание может немного отличаться от последней версии BIOS и может использоваться в качестве справки. Для описания какого-либо пункта меню настроек BIOS, вы можете обратиться к информационной панели **HELP**.
- Изображения в этой главе приведены исключительно в справочных целях и могут отличаться от фактических.
- Пункты BIOS будут меняться в зависимости от процессора.

## Вход в настройки BIOS

Нажмите клавишу **Delete**, когда появляется сообщение на экране **Press DEL key to enter Setup Menu, F11 to enter Boot Menu** во время загрузки.

### Функциональные клавиши

- F1:** Общая справка
  - F2:** Добавить / Удалить избранный предмет
  - F3:** Вход в меню Избранное
  - F4:** Вход в меню технических параметров процессора
  - F5:** Вход в меню Memogu-Z
  - F6:** Загрузить оптимизированные настройки по умолчанию
  - F7:** Переключить между расширенном режимом и режимом EZ
  - F8:** Загрузить профиль разгона
  - F9:** Сохранить профиль разгона
  - F10:** Сохранить изменения и перезагрузить\*
  - F12:** Сделать скриншот и сохранить его на USB флэш-диск (только FAT / FAT32 формат).
- Ctrl+F:** Вход в страницу поиска

\* При нажатии клавиши F10 появится информационное окно. Выберите Yes или No, чтобы подтвердить выбор.

## Сброс BIOS

В некоторых ситуациях необходимо выполнить восстановление настроек BIOS до значений по умолчанию. Существует несколько способов сброса настроек:

- Войдите в BIOS и нажмите клавишу **F6** для загрузки оптимизированных значений по умолчанию.
- Замкните джампер **очистки данных CMOS** на материнской плате.
- Нажмите кнопку **очистки данных CMOS** на материнской плате.



### **Внимание!**

Убедитесь, что компьютер выключен перед очисткой данных CMOS. Для получения дополнительной информации о сбросе настроек BIOS, обратитесь к разделу джампер **очистки данных CMOS**.

## Обновление BIOS

### Обновление BIOS при помощи M-FLASH

Перед обновлением:

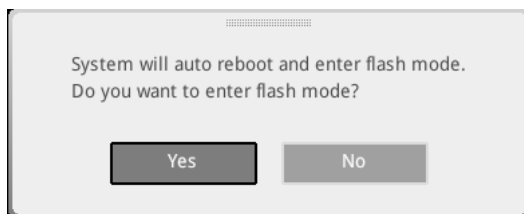
Пожалуйста, скачайте последнюю версию файла BIOS с сайта MSI, который соответствует вашей модели материнской платы. Сохраните файл BIOS на флэш-диске USB.

Обновление BIOS:

1. Вставьте флэш-диск USB, содержащий файл обновления в порт USB на компьютере.
2. Для входа в режим обновления следуйте указаниям ниже.
  - Перезагрузите системы и нажмите клавиши **Ctrl+F5** во время процедуры POST, потом нажмите на кнопку **Yes** для перезагрузки системы.

Нажмите клавиши <Ctrl + F5>, чтобы активировать M-Flash для обновления BIOS.

- Перезагрузите системы и нажмите клавишу **Del** во время процедуры POST для входа в настройки BIOS. Выберите вкладку **M-FLASH** и нажмите на кнопку **Yes** для перезагрузки системы.



3. Выберите файл BIOS для выполнения процесса обновления BIOS.
4. При появлении окна с предложением нажмите на кнопку **Yes** для обновления BIOS.
5. После завершения процесса обновления, система перезагрузится автоматически.

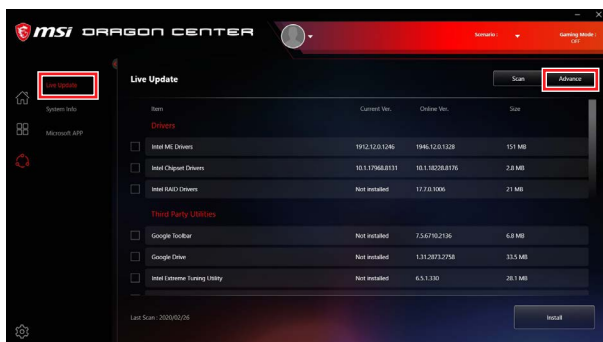
## Обновление BIOS при помощи MSI DRAGON CENTER

Перед обновлением:

Убедитесь, что драйвер локальной сети установлен и есть подключение к сети Интернет.

Обновление BIOS:

1. Установите и запустите MSI DRAGON CENTER, и затем перейдите на страницу **Support**.
2. Выберите **Live Update** и нажмите кнопку Advance.



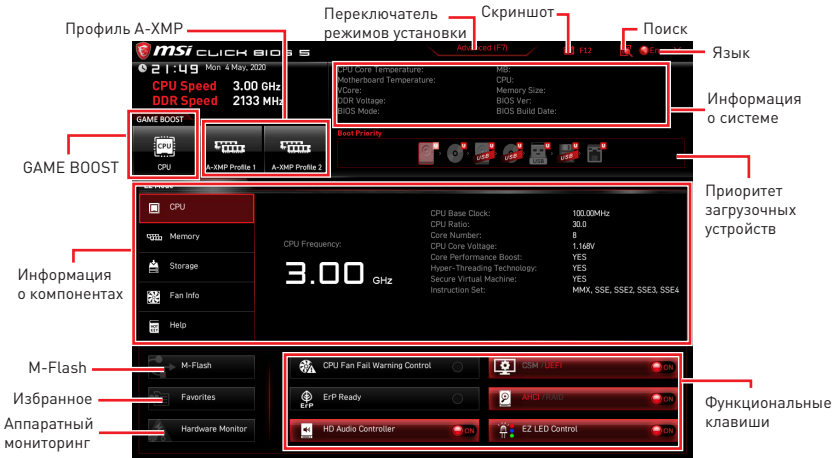
3. Нажмите кнопку **Scan** для поиска последней версии файла BIOS.
4. Выберите файл BIOS и нажмите на значок **Download**, чтобы загрузить и установить последнюю версию файла BIOS.
5. Нажмите кнопку **Next** и выберите **In Windows mode**. И затем нажмите кнопку **Next** и **Start** для запуска обновления BIOS.
6. По завершению процесса обновления, система перезагрузится автоматически.

## Обновление BIOS при помощи кнопки Flash BIOS

1. Пожалуйста, скачайте последнюю версию файла BIOS с сайта MSI®, который соответствует вашей модели материнской платы.
2. Переименуйте файл BIOS в **MSI.ROM**, затем сохраните его в корневую папку флэш-диска USB .
3. Подключите блок питания к **CPU\_PWR1** и **ATX\_PWR1**. (Никакие другие компоненты кроме блока питания не используются.)
4. Подключите USB флэш-диск, содержащий файл MSI.ROM в **порт Flash BIOS** на задней панели портов ввода/ вывода.
5. Нажмите кнопку **Flash BIOS** для обновления BIOS и светодиод начинает мигать.
6. По завершению процесса обновления BIOS светодиод гаснет.

## Режим EZ

Режим EZ предоставляет основную информацию о системе и позволяет выполнить основные операции по настройке. Для настройки расширенных функций BIOS, пожалуйста, войдите в Расширенный режим, путем нажатия **Переключатель режимов установки** или при помощи функциональной клавиши **F7**.



- **GAME BOOST** – щелкните для переключения GAME BOOST для разгона. Эта функция доступна, только если материнская плата и процессор поддерживают эту функцию.

### **Внимание!**

*Для сохранения оптимальной производительности и стабильности системы после активации функции **GAME BOOST**, пожалуйста, не делайте никаких изменений в меню BIOS.*

- **Профиль A-XMP** - позволяет выбрать профиль A-XMP для разгона оперативной памяти. Эта функция доступна, только если система, память и процессор поддерживают эту функцию.
- **Переключатель режимов установки** – нажмите эту вкладку или клавишу **F7**, чтобы переключиться между режимами EZ и разгона.
- **Скриншот** – нажмите на эту вкладку или клавишу **F12**, чтобы сделать скриншот и сохранить его на флэш-диск USB (только FAT/ FAT32).
- **Поиск** – кликните по данной вкладке или нажмите клавиши **Ctrl + F** для перехода на страницу поиска. Это позволяет выполнить поиск по имени параметра BIOS. Наведите указатель мыши на пустое место и щелкните правой кнопкой мыши, для выхода со страницы поиска.

### **Внимание!**

*На странице поиска доступны только функциональные клавиши F6, F10 и F12.*

- **Язык** – позволяет выбрать язык интерфейса для настройки BIOS.

- **Информация о системе** – показывает частоту процессора/ памяти, температуру процессора/ материнской платы, информацию о материнской плате/процессоре, размер памяти, напряжение на процессоре/ памяти, версию BIOS и дату создания.
- **Приоритет загрузочных устройств** – вы можете переместить иконку устройства для изменения приоритета загрузки. Приоритет загрузки устанавливается слева направо, от высокого к низкому.
- **Информация о компонентах** – нажмите на кнопку **CPU, Memory, Storage, Fan Info** и **Help** для отображения соответствующей информации.
- **Функциональные клавиши** – включают или выключают различные функции, при нажатии на соответствующую кнопку. Когда эта функция включена, на кнопке отображается «ON».

### **Внимание!**

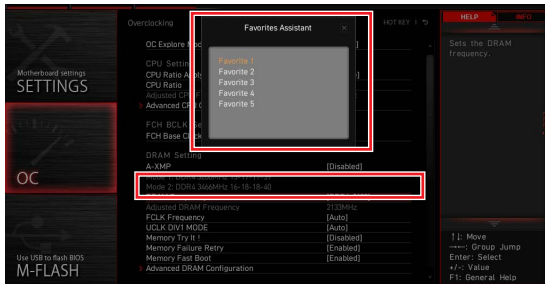
Функциональные клавиши будут меняться в зависимости от приобретенной материнской платы.

- **M-Flash** – нажмите на эту кнопку для входа в меню **M-Flash**. Пункт позволяет выбрать способ обновления BIOS при помощи USB флеш накопителя.
- **Аппаратный мониторинг** – нажмите на эту кнопку для входа в меню **аппаратного мониторинга**. Пункт позволяет вручную регулировать скорость вращения вентиляторов в процентах.
- **Избранное** – нажмите на эту кнопку или на клавишу **F3** для отображения меню **Избранное**. Позволяет создать 5 личных меню BIOS, где вы можете сохранить и получить доступ к вашим любимым и часто используемым настройкам BIOS.



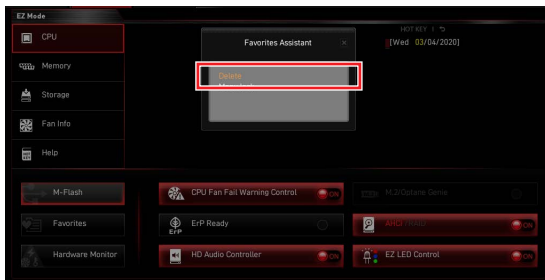
### ▪ Добавление пункта BIOS в меню Избранное

1. Выберите пункт BIOS в настройках ОС или меню ОС.
2. Щелкните правой кнопкой мыши или нажмите клавишу **F2**.
3. Выберите любимую страницу и нажмите на кнопку **OK**.



### ▪ Удаление пункта BIOS из меню Избранное

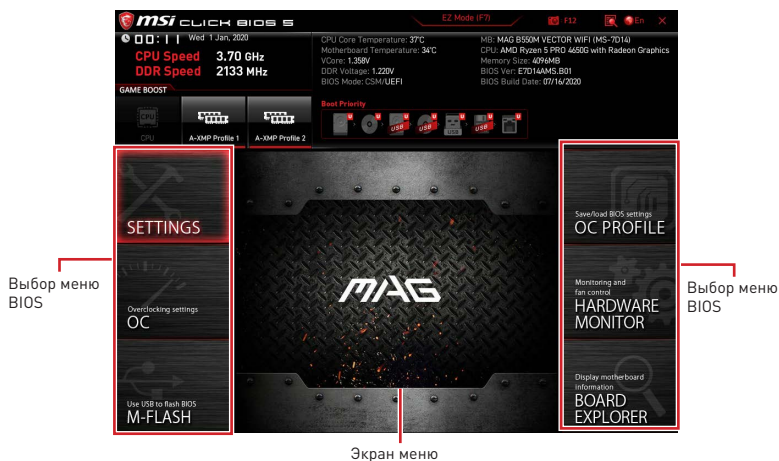
1. Выберите пункт BIOS в меню Избранное.
2. Щелкните правой кнопкой мыши или нажмите клавишу **F2**.
3. Выберите **Delete** и нажмите на кнопку **OK**.





## Режим разгона

Нажмите **переключатель режимов установки** или функциональную клавишу **F7** для переключения между режимами EZ и разгона в настройках BIOS.



- **Выбор меню BIOS** – доступны следующие опции:
  - **SETTINGS** – в данном меню представлены настройки чипсета и загрузочных устройств.
  - **OC** – позволяет регулировать частоту и напряжение. Увеличение частоты приводит к увеличению производительности.
  - **M-FLASH** – позволяет выбрать метод обновления BIOS с USB флэш-диска.
  - **OC PROFILE** – позволяет управлять профилями разгона.
  - **HARDWARE MONITOR** – позволяет установить скорость работы вентиляторов и мониторинг напряжений системы.
  - **BOARD EXPLORER** – предоставляет информации об установленных устройствах на материнской плате.
- **Экран меню** – отображаются настройки BIOS и дополнительная информация.

## Меню ОС

Меню ОС используется для настройки частоты и напряжения при разгоне. Обратите внимание, что более высокая частота и напряжение могут улучшить результат разгона, но и привести к нестабильности системы.



### **Внимание!**

- Разгонять ПК вручную рекомендуется только опытным пользователям.
- Производитель не гарантирует успешность разгона. Неправильное выполнение разгона может привести к аннулированию гарантии и серьезному повреждению оборудования.
- Неопытным пользователям рекомендуется использовать функцию **GAME BOOST**.
- Пункты BIOS в меню ОС будут меняться в зависимости от процессора.

### ► **OC Explore Mode [Normal]**

Включение или выключение отображения нормального или экспертного режима настроек разгона.

[Normal] Стандартные параметры разгона в BIOS.

[Expert] Расширенные параметры разгона в BIOS для опытных пользователей.

Примечание: Символом \* отмечаются параметры разгона в режиме Expert.

### ► **CPU Ratio Apply Mode [All Core]**

Устанавливает режим применения для множителя CPU. Данный пункт появляется, только если процессор поддерживает **Turbo Boost**.

### ► **CPU Ratio [Auto]**

Задание множителя процессора для установки его тактовой частоты. Этот пункт появляется при установке процессора с поддержкой данной функции.

### ► **Advanced CPU Configuration**

Нажмите **Enter** для входа в подменю. Пользователь может настроить параметры для мощности / тока процессора. Система может работать нестабильно или не загружаться после изменения параметров памяти. Если система работает нестабильно, пожалуйста, очистите данные CMOS и восстановите настройки по умолчанию.

### ► **FCH Base Clock[MHz]**

Позволяет устанавливать базовую частоту Fusion Controller Hub (FCH). При установке в Auto, BIOS установит базовую частоту автоматически. Вы также можете настроить напряжения вручную.

### ► **A-XMP [Disabled]**

Включите A-XMP или выберите профиль модуля памяти для разгона. Данный пункт доступен, когда установлен модуль памяти, процессора и материнской платы с поддержкой данной функции.

### ► **DRAM Frequency [Auto]**

Установка частоты памяти DRAM. Обратите внимание, что возможность успешного разгона не гарантируется.

### ► Adjusted DRAM Frequency

Показывает текущую частоту DRAM. Это значение нельзя изменять.

### ► FCLK Frequency [Auto]

Установка частоты FCLK (тактовая частота Internal Data Fabric для DRAM). Обратите внимание, что возможность успешного разгона не гарантируется.

### ► UCLK DIV1 Mode [Auto]

Установка режима UCLK (тактовая частота Контроллера внутренней памяти).

### ► Memory Try It ! [Disabled]

Позволяет улучшить совместимость памяти и производительность, путем выбора наиболее оптимального пресета. Этот пункт доступен только в случае, если установлен модуль памяти с поддержкой данной функции.

### ► Memory Failure Retry [Enabled]

Включение или отключение функции перезагрузки при неудачных попыток загрузки Memory Retry.

### ► Memory Fast Boot [Enabled]

Включает или выключает инициализацию и тренировку памяти при каждой загрузке.

### ► Advanced DRAM Configuration

Нажмите **Enter** для входа в подменю. Пользователь может настроить тайминги для каждого канала памяти. Система может работать нестабильно или не загружаться после изменения таймингов памяти. Если система работает нестабильно, пожалуйста, очистите данные CMOS и восстановите настройки по умолчанию. (см. переключатель очистки данных CMOS/раздел кнопки для очистки данных CMOS и вход в BIOS, чтобы загрузить настройки по умолчанию.)

### ► DigitALL Power sub-menu

Нажмите **Enter** для входа в подменю, в котором вы можете настроить защитные условия для напряжения/ тока/ температуры процессора.

### ► CPU Voltages control [Auto]

Эти параметры позволяют вам задать напряжения, связанные с процессором. При установке в **Auto**, BIOS установит напряжения автоматически. Вы также можете настроить напряжения вручную.

### ► DRAM Voltages control [Auto]

Эти параметры позволяют вам задать напряжения, связанные с памятью. При установке в **Auto**, BIOS установит напряжения автоматически. Вы также можете настроить напряжения вручную.

### ► Memory Changed Detect [Enabled]\*

Включение или выключение предупреждающих сообщений при загрузке системы, когда память была заменена.

[Enabled] Система выдает предупреждение во время загрузки. Требуется загрузить настройки по умолчанию для новых устройств.

[Disabled] Выключение этой функции и сохранение текущих настроек BIOS.

► **CPU Specifications sub-menu**

Нажмите **Enter** для входа в подменю. В этом подменю представлена информация об установленном процессоре. Для просмотра этой информации в любое время нажмите на кнопку [F4]. Это значение нельзя изменять.

► **MEMORY-Z sub-menu**

Нажмите **Enter** для входа в подменю. В подменю выделены все параметры и тайминги установленной памяти. Для просмотра этой информации в любое время нажмите на кнопку [F5].

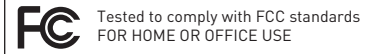
# Regulatory Notices

## FCC Compliance Statement

Note: This equipment has been tested and found to comply with the limits for a Class B digital device, pursuant to part 15 of the FCC Rules. These limits are designed to provide reasonable protection against harmful interference in a residential installation. This equipment generates, uses and can radiate radio frequency energy and, if not installed and used in accordance with the instructions, may cause harmful interference to radio communications. However, there is no guarantee that interference will not occur in a particular installation. If this equipment does cause harmful interference to radio or television reception, which can be determined by turning the equipment off and on, the user is encouraged to try to correct the interference by one or more of the following measures:

- Reorient or relocate the receiving antenna.
- Increase the separation between the equipment and receiver.
- Connect the equipment into an outlet on a circuit different from that to which the receiver is connected.
- Consult the dealer or an experienced radio/TV technician for help.


Caution: Changes or modifications not expressly approved by the party responsible for compliance could void the user's authority to operate the equipment.



This device complies with part 15 of the FCC Rules. Operation is subject to the following two conditions:

- (1) This device may not cause harmful interference, and (2) this device must accept any interference received, including interference that may cause undesired operation.

## CE Conformity


 Products bearing the CE marking comply with one or more of the following EU Directives as may be applicable:

RED 2014/53/EU; Low Voltage Directive 2014/35/EU; EMC Directive 2014/30/EU; RoHS Directive 2011/65/EU.


Compliance with these directives is assessed using applicable European Harmonized Standards.

The point of contact for regulatory matters is MSI, MSI-NL Eindhoven 5706 5692 ER Son.

## B급 기기 (가정용 방송통신기자재)

 이 기기는 가정용(B급) 전자파적합기기로서 주로 가정에서 사용하는 것을 목적으로 하며, 모든 지역에서 사용할 수 있습니다.

## クラスB情報技術装置

 この装置は、クラスB情報技術装置です。この装置は、家庭環境で使用することを目的としていますが、この装置がラジオやテレビジョン受信機に近接して使用されると、受信障害を引き起こすことがあります。取扱説明書に従って

正しい取り扱いをして下さい

VCCI-B

## C-Tick Compliance



## Battery Information

European Union:



Batteries, battery packs, and accumulators should not be disposed of as unsorted household waste. Please use the public collection system to return, recycle, or treat them in compliance with the local regulations.

Taiwan:



廢電池請回收

For better environmental protection, waste batteries should be collected separately for recycling or special disposal.

California, USA:



The button cell battery may contain perchlorate material and requires special handling when recycled or disposed of in California.

For further information please visit:

<http://www.dtsc.ca.gov/hazardouswaste/perchlorate/>

CAUTION: There is a risk of explosion, if battery is incorrectly replaced.

Replace only with the same or equivalent type recommended by the manufacturer.

## Chemical Substances Information

In compliance with chemical substances regulations, such as the EU REACH Regulation (Regulation EC No. 1907/2006 of the European Parliament and the Council), MSI provides the information of chemical substances in products at:

[https://storage-asset.msi.com/html/popup/csr/evmtprrt\\_pcm.html](https://storage-asset.msi.com/html/popup/csr/evmtprrt_pcm.html)

## Environmental Policy

• The product has been designed to enable proper reuse of parts and recycling and should not be thrown away at its end of life.



• Users should contact the local authorized point of collection for recycling and disposing of their end-of-life products.

• Visit the MSI website and locate a nearby distributor for further recycling information.

• Users may also reach us at [gpcntdev@msi.com](mailto:gpcntdev@msi.com) for information regarding proper Disposal, Take-back, Recycling, and Disassembly of MSI products.

## WEEE (Waste Electrical and Electronic Equipment) Statement

ENGLISH

To protect the global environment and as an environmentalist, MSI must remind you that...



Under the European Union ("EU") Directive on Waste Electrical and Electronic Equipment, Directive 2002/96/EC, which takes effect on August 13, 2005, products of "electrical

and electronic equipment” cannot be discarded as municipal wastes anymore, and manufacturers of covered electronic equipment will be obligated to take back such products at the end of their useful life. MSI will comply with the product take back requirements at the end of life of MSI-branded products that are sold into the EU. You can return these products to local collection points.

#### **DEUTSCH**

Hinweis von MSI zur Erhaltung und Schutz unserer Umwelt

Gemäß der Richtlinie 2002/96/EG über Elektro- und Elektronik-Altgeräte dürfen Elektro- und Elektronik-Altgeräte nicht mehr als kommunale Abfälle entsorgt werden. MSI hat europaweit verschiedene Sammel- und Recyclingunternehmen beauftragt, die in die Europäische Union in Verkehr gebrachten Produkte, am Ende seines Lebenszyklus zurückzunehmen. Bitte sorgen Sie dieses Produkt zum gegebenen Zeitpunkt ausschließlich an einer lokalen Altgerätesammelstelle in Ihrer Nähe.

#### **FRANÇAIS**

En tant qu'écologiste et afin de protéger l'environnement, MSI tient à rappeler ceci...

Au sujet de la directive européenne (EU) relative aux déchets des équipements électriques et électroniques, directive 2002/96/EC, prenant effet le 13 août 2005, que les produits électriques et électroniques ne peuvent être déposés dans les décharges ou tout simplement mis à la poubelle. Les fabricants de ces équipements seront obligés de récupérer certains produits en fin de vie. MSI prendra en compte cette exigence relative au retour des produits en fin de vie au sein de la communauté européenne. Par conséquent vous pouvez retourner localement ces matériels dans les points de collecte.

#### **РУССКИЙ**

Компания MSI предпринимает активные действия по защите окружающей среды, поэтому напоминаем вам, что....

В соответствии с директивой Европейского Союза (ЕС) по предотвращению загрязнения окружающей среды использованным электрическим и электронным оборудованием (директива WEEE 2002/96/ЕС), вступающей в силу 13 августа 2005 года, изделия, относящиеся к электрическому и электронному оборудованию, не могут рассматриваться как бытовой мусор, поэтому производители вышеперечисленного электронного оборудования обязаны принимать его для переработки по окончании срока службы. MSI обязуется соблюдать требования по приему продукции, проданной под маркой MSI на территории ЕС, в переработку по окончании срока службы. Вы можете вернуть эти изделия в специализированные пункты приема.

#### **ESPAÑOL**

MSI como empresa comprometida con la protección del medio ambiente, recomienda:

Bajo la directiva 2002/96/EC de la Unión Europea en materia de desechos y/o equipos electrónicos, con fecha de rigor desde el 13 de agosto de 2005, los productos clasificados como "eléctricos y equipos electrónicos" no pueden ser depositados en los contenedores habituales de su municipio, los fabricantes de equipos electrónicos, están obligados

a hacerse cargo de dichos productos al término de su período de vida. MSI estará comprometido con los términos de recogida de sus productos vendidos en la Unión Europea al final de su período de vida. Usted debe depositar estos productos en el punto limpio establecido por el ayuntamiento de su localidad o entregar a una empresa autorizada para la recogida de estos residuos.

#### **NEDERLANDS**

Om het milieu te beschermen, wil MSI u eraan herinneren dat....

De richtlijn van de Europese Unie (EU) met betrekking tot Vervuling van Elektrische en Electronische producten (2002/96/EC), die op 13 Augustus 2005 in zal gaan kunnen niet meer beschouwd worden als vervuiling. Fabrikanten van dit soort producten worden verplicht om producten retour te nemen aan het eind van hun levenscyclus. MSI zal overeenkomstig de richtlijn handelen voor de producten die de merknaam MSI dragen en verkocht zijn in de EU. Deze goederen kunnen geretourneerd worden op lokale inzamelingspunten.

#### **SRPSKI**

Da bi zaštitili prirodnu sredinu, i kao proizvođače koje vodi računa o okolini i prirodnoj sredini, MSI mora da vas podesti da...

Po Direktivi Evropske unije ("EU") o odbačenoj elektonskoj i električnoj opremi, Direktiva 2002/96/EC, koja stupa na snagu od 13. Avgusta 2005, proizvodi koji spadaju pod "elektronsku i električnu opremu" ne mogu više biti odbačeni kao običan otpad i proizvođači ove opreme biće prinuđeni da uzmu natrag ove proizvode na kraju njihovog uobičajenog veka trajanja. MSI će poštovati zahtev o preuzimanju ovakvih proizvoda kojima je istekao vek trajanja, koji imaju MSI oznaku i koji su prodati u EU. Ove proizvode možete vratiti na lokalnim mestima za prikupljanje.

#### **POLSKI**

Aby chronić nasze środowisko naturalne oraz jako firma dbająca o ekologię, MSI przypomina, że...

Zgodnie z Dyrektywą Unii Europejskiej ("UE") dotyczącą odpadów produktów elektrycznych i elektronicznych (Dyrektywa 2002/96/EC), która wchodzi w życie 13 sierpnia 2005, tzw. "produkty oraz wyposażenie elektryczne i elektroniczne" nie mogą być traktowane jako śmieci komunalne, tak więc producenci tych produktów będą zobowiązani do odbierania ich w momencie gdy produkt jest wycofywany z użycia. MSI wypetni wymagania UE, przyjmując produkty (sprzedawane na terenie Unii Europejskiej) wycofywane z użycia. Produkty MSI będzie można zwracać w wyznaczonych punktach zbiorczych.

#### **TÜRKÇE**

Çevreci özelliğiyle bilinen MSI dünyada çevreyi korumak için hatırlatır:

Avrupa Birliği (AB) Kararnamesi Elektrik ve Elektronik Malzeme Atığı, 2002/96/EC Kararnamesi altında 13 Ağustos 2005 tarihinden itibaren geçerli olmak üzere, elektrikli ve elektronik malzemeler diğer atıklar gibi çöpe atılmayacak ve bu elektronik cihazların üreticileri, cihazların kullanım süreleri bittikten sonra ürünleri geri toplamakla yükümlü olacaktır. Avrupa Birliği'ne satılan MSI markalı ürünlerin kullanım süreleri bittiginde MSI ürünlerin geri alınması isteği ile işbirliği içerisinde olacaktır. Ürünlerinizi yerel toplama noktalarına bırakabilirsiniz.

## ČESKY

Záleží nám na ochraně životního prostředí - společnost MSI upozorňuje...

Podle směrnice Evropské unie ("EU") o likvidaci elektrických a elektronických výrobků 2002/96/EC platné od 13. srpna 2005 je zakázáno likvidovat "elektrické a elektronické výrobky" v běžném komunálním odpadu a výrobci elektrických výrobků, na které se tato směrnice vztahuje, budou povinni odebírat takové výrobky zpět po skončení jejich životnosti. Společnost MSI splní požadavky na odebrání výrobků značky MSI, prodávaných v zemích EU, po skončení jejich životnosti. Tyto výrobky můžete odevzdat v místních sběrnách.

## MAGYAR

Annak érdekében, hogy környezetiünket megvédjük, illetve környezetvédként fellépve az MSI emlékezteti Önt, hogy ...

Az Európai Unió („EU”) 2005. augusztus 13-án hatályba lépett, az elektromos és elektronikus berendezések hulladékairól szóló 2002/96/EK irányelve szerint az elektromos és elektronikus berendezések többé nem kezelhetők lakossági hulladékként, és az ilyen elektronikus berendezések gyártói köteleessé válnak az ilyen termékek visszavételére azok hasznos élettartama végén. Az MSI betartja a termékvisszavételrel kapcsolatos követelményeket az MSI márkanev alatt az EU-n belül értékesített termékek esetében, azok élettartamának végén. Az ilyen termékeket a legközelebbi gyűjtőhelyre viheti.

## ITALIANO

Per proteggere l'ambiente, MSI, da sempre amica della natura, ti ricorda che....

In base alla Direttiva dell'Unione Europea (EU) sullo Smaltimento dei Materiali Elettrici ed Elettronici, Direttiva 2002/96/EC in vigore dal 13 Agosto 2005, prodotti appartenenti alla categoria dei Materiali Elettrici ed Elettronici non possono più essere eliminati come rifiuti municipali: i produttori di detti materiali saranno obbligati a ritirare ogni prodotto alla fine del suo ciclo di vita. MSI si adegnerà a tale Direttiva ritirando tutti i prodotti marchiati MSI che sono stati venduti all'interno dell'Unione Europea alla fine del loro ciclo di vita. È possibile portare i prodotti nel più vicino punto di raccolta

## 日本JIS C 0950材質宣言

日本工業規格JIS C 0950により、2006年7月1日以降に販売される特定分野の電気および電子機器について、製造者による含有物質の表示が義務付けられます。

[https://storage-asset.msi.com/html/popup/csr/cemm\\_jp.html](https://storage-asset.msi.com/html/popup/csr/cemm_jp.html)

## India RoHS

This product complies with the "India E-waste [Management and Handling] Rule 2011" and prohibits use of lead, mercury, hexavalent chromium, polybrominated biphenyls or polybrominated diphenyl ethers in concentrations exceeding 0.1 weight % and 0.01 weight % for cadmium, except for the exemptions set in Schedule 2 of the Rule.

## Türkiye EEE yönetmeliği

Türkiye Cumhuriyeti: EEE Yönetmeliğine Uygundur

## Україна обмеження на наявність небезпечних речовин

Обладнання відповідає вимогам Технічного регламенту щодо обмеження використання деяких небезпечних речовин в електричному та електронному обладнанні, затвердженого постановою Кабінету Міністрів України від 3 грудня 2008 № 1057.

## Việt Nam RoHS

Kể từ ngày 01/12/2012, tất cả các sản phẩm do công ty MSI sản xuất tuân thủ Thông tư số 30/2011/TT-BCT quy định hàm thời về giới hạn hàm lượng cho phép của một số hóa chất độc hại có trong các sản phẩm điện, điện tử

## Wireless Radio Use

This device is restricted to indoor use when operating in the 2.4GHz, 5GHz frequency band.

Cet appareil doit être utilisé à l'intérieur.

당해 무선설비는 운용중 전파혼신 가능성이 있음.

この製品は、周波数帯域 2.4GHz, 5GHz で動作しているときは、屋内においてのみ使用可能です。

## NCC無線設備警告聲明

工作頻率2.4GHz, 5GHz該頻段限於室內使用。

經型式認證合格之低功率射頻電機，非經許可，公司、商號或使用者均不得擅自變更頻率、加大功率或變更原設計之特性及功能。

低功率射頻電機之使用不得影響飛航安全及干擾合法通信；經發現有干擾現象時，應立即停用，並改善至無干擾時方得繼續使用。前項合法通信，指依電信法規定作業之無線電通信。低功率射頻電機須忍受合法通信或工業、科學及醫療用電波輻射性電機設備之干擾。

## Products with radio functionality (EMF)

This product incorporates a radio transmitting and receiving device. For computers in normal use, a separation distance of 20 cm ensures that radio frequency exposure levels comply with EU requirements. Products designed to be operated at closer proximities, such as tablet computers, comply with applicable EU requirements in typical operating positions. Products can be operated without maintaining a separation distance unless otherwise indicated in instructions specific to the product.

## Restrictions for products with radio functionality




CAUTION: IEEE 802.11x wireless LAN with 5.15–5.35 GHz frequency band is restricted for indoor use only in all European Union member states, EFTA (Iceland, Norway, Liechtenstein), and most other European countries (e.g., Switzerland, Turkey, Republic of Serbia). Using this WLAN application outdoors might lead to interference issues with existing radio services.

## Radio frequency bands and maximum power levels

Features	:802.11 a/b/g/n/ac/ax, BT
Frequency Range	:2.4GHz, 5GHz
Modulation	:FHSS, DSSS, OFDM
Power Output	:10, 20, 23
Channel Band Width	:1, 5, 20, 40, 80, 160 MHz

## MS-7D14主板产品中有害物质的名称及含量

部件名称	有害物质					
	铅 (Pb)	汞 (Hg)	镉 (Cd)	六价铬 (Cr(VI))	多溴联苯 (PBB)	多溴二苯醚 (PBDE)
印刷电路板组件*	×	○	○	○	○	○
电池** 	×	○	○	○	○	○
外部信号连接头	×	○	○	○	○	○
线材	×	○	○	○	○	○

本表格依据 SJ/T 11364 的规定编制。

○: 表示该有害物质在该部件所有均质材料中的含量均在 GB/T 26572 规定的限量要求以下。

×: 表示该有害物质至少在该部件的某一均质材料中的含量超出 GB/T 26572 规定的限量要求,但所有部件都符合欧盟RoHS要求。

\* 印刷电路板组件: 包括印刷电路板及其构成的零部件。

\*\* 电池本体上如有环保使用期限标识,以本体标识为主。

■ 上述有毒有害物质或元素清单会依型号之部件差异而有所增减。

■ 产品部件本体上如有环保使用期限标识,以本体标识为主。

## 限用物質含有情況標示聲明書

設備名稱:電腦主機板		型號(型式):MS-7D14				
單元	限用物質及其化學符號					
	鉛 (Pb)	汞 (Hg)	鎘 (Cd)	六價鉻 (Cr <sup>VI</sup> )	多溴聯苯 (PBB)	多溴二苯醚 (PBDE)
電路板	○	○	○	○	○	○
電子元件	—	○	○	○	○	○
金屬機構件	—	○	○	○	○	○
塑膠機構件	○	○	○	○	○	○

備考1. “超出0.1 wt %”及“超出0.01 wt %”係指限用物質之百分比含量超出百分比含量基準值。

備考2. “○”係指該項限用物質之百分比含量未超出百分比含量基準值。

備考3. “—”係指該項限用物質為排除項目。

## Copyright

**msi** Micro-Star Int'l Co., Ltd.

Copyright © 2020 All rights reserved.

The MSI logo used is a registered trademark of Micro-Star Int'l Co., Ltd. All other marks and names mentioned may be trademarks of their respective owners. No warranty as to accuracy or completeness is expressed or implied. MSI reserves the right to make changes to this document without prior notice.

## Revision History

Version 1.0, 2020/07, First release.

## Technical Support

If a problem arises with your system and no solution can be obtained from the user guide, please contact your place of purchase or local distributor. Alternatively, please try the following help resources for further guidance.

- Visit the MSI website for technical guide, BIOS updates, driver updates, and other information: <http://www.msi.com>
- Register your product at: <http://register.msi.com>

