

DS-1293ZJ-Y

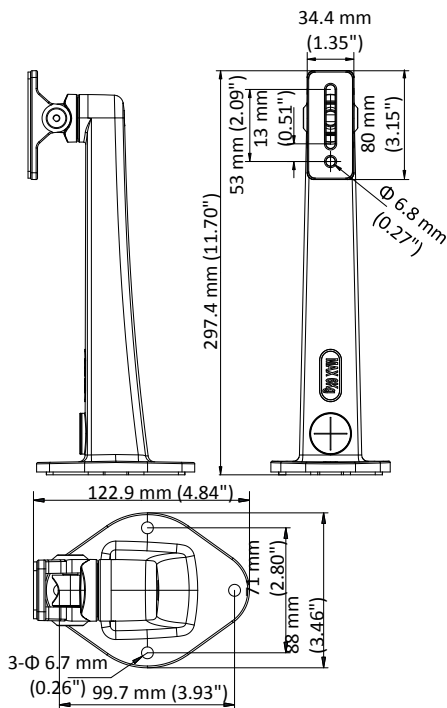
Wall Mount



Features:

- Aluminum alloy material with professional anti-corrosion surface spray treatment
- Built-in outlet hole
- Camera soleplate has sponge mat
- Camera soleplate is rotatable
- Applies to anti-corrosion box camera with housing

Dimension:



Order Model:

DS-1293ZJ-Y

Parameter:

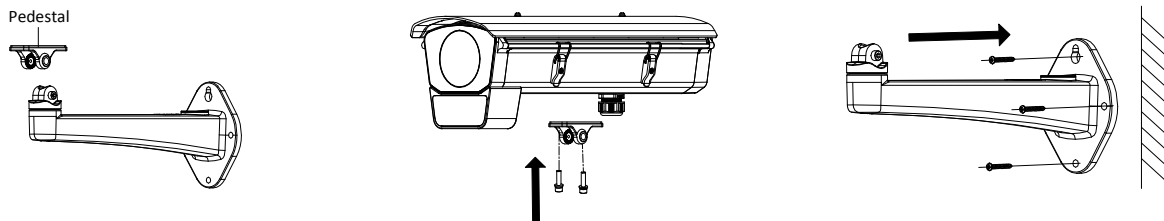
Model	DS-1293ZJ-Y
Parameters	Wall Mount
Appearance	Hikvision white
Material	Aluminum alloy
Angle adjustment	Pan: 360°, Tilt: -45° to 45°
Dimension	88 mm × 122.9 mm × 297.4 mm (3.46" × 4.84" × 11.70")
Weight	Approx. 473 g (1.04 lb.)

Notice:

- The wall mount should be installed on flat wall.
- The diameter of outlet hole must be less than 6.5 mm.
- The wall must be capable of supporting over 3 times as much as the total weight of the camera and the mount.
- The maximum load capacity of the wall mount is 6 kg (13.23 lb.).

Installation Step:

- ① Separate the pedestal from the wall mount.
- ② Fix the pedestal to housing.
- ③ Install the wall mount to wall.



- ④ Install the pedestal together with the housing (with camera) back to wall mount.

