



# BT8449

## UNIVERSAL XL FLAT SCREEN CEILING MOUNT WITH TILT

FOUR  
 CEILING DROP  
 LENGTHS  
 AVAILABLE

Designed to ceiling mount screens up to 100", the BT8449 is an extra-large ceiling mount with tilt, available with a choice of four different drop lengths; 1m, 1.5m, 2m and 3m. The twin pole design and heavy duty steel provides strength and rigidity, allowing for a maximum load of up to 80kg. Other features include a choice of 4 tilt positions from 0° up to 15°, post installation screen alignment and height adjustment screws to level the screen once mounted. Available with a choice of black, chrome or white poles.

### SPECIFICATION

Recommended screen size	65" - 100"
Max load	80kg
VESA® & non-VESA fixings	up to 1000 x 600mm
Tilt positions	0°, 5°, 10°, 15°
Ceiling drop	980mm, 1480mm, 1980mm or 2980mm*
Colour option (Ø50mm poles)	Black, White or Chrome
Colour option (ceiling plate)	Black or White

\*From the ceiling to the centre of the mount.

### FEATURES

- Twin pole mount suitable for screens 65" and over
- Heavy duty steel capable of supporting very heavy loads
- Lateral adjustment of screen once mounted
- Integrated cable management for a neat and tidy installation
- Adjustment screws allow screen to be levelled once mounted
- Simple 'hook-on' installation



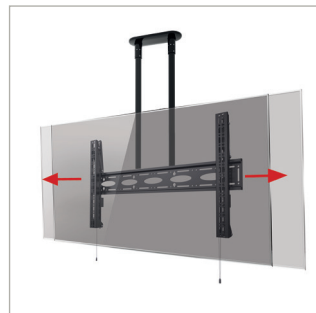
BT8449-100	1m Pole
BT8449-150	1.5m Pole
BT8449-200	2m Pole
BT8449-300	3m Pole

Available in 4 pole lengths\*\*

\*\* White poles only available in 1m & 1.5m lengths



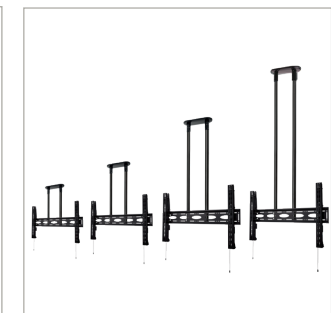
Integrated cable management for a neat and tidy installation



Post installation screen alignment for perfect positioning every time



Fixed tilt at 0°, 5°, 10° and 15°



Available with a choice of four pole lengths: 1m, 1.5m, 2m & 3m

