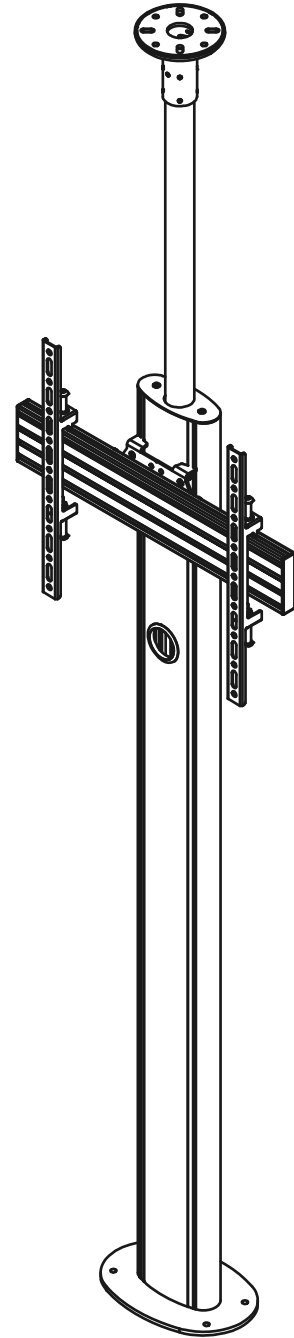


B-TECH AV MOUNTS®

BT8702PREMIUM FLOOR-TO-CEILING
SINGLE SCREEN UC STAND**INSTALLATION GUIDE****SPECIFICATIONS**

- Recommended for screens up to: 70" (177cm)
- Max load: 70kg (154lbs)
- Suitable for displays with VESA® & non-VESA
- Universal design suitable for displaying screens in a landscape or portrait orientation
- Integrated cable management



CONTENTS

Installation Safety Notes.....	2
Parts List.....	4
Installation Instructions.....	6
Product Dimensions.....	15
B-Tech Contact Details.....	16

INSTALLATION SAFETY INSTRUCTIONS



CAUTION: This stand is intended for use only with the maximum weights indicated. Use with screens heavier than the maximum indicated may result in instability causing possible injury.

Do not attempt to install this product until all instructions and warnings have been read and properly understood.
Please keep these instructions for future reference.

Please check carefully to make sure there are no missing or defective parts - defective parts must never be used.
B-Tech AV Mounts, its distributors and dealers are not liable or responsible for damage or injury caused by improper installation, improper use or failure to observe these safety instructions. In such cases, all guarantees will expire.

General

B-Tech AV Mounts recommends that a professional AV installer or other suitably qualified person install this product. Great care must always be taken during installation as most AV equipment is of a fragile nature, possibly heavy and easily damaged if dropped.

If you do not fully understand the instructions or are not sure how to install this product safely, then please consult a professional for advice and/or to install this product for you. Failure to mount this product correctly may cause serious injury or death both during installation and at any time thereafter.

Do not mount any AV equipment that exceeds the specific weight limit of the product you are installing.
This weight limit will be clearly stated on each product and its packaging and will vary from product to product.

Product location

Please pay careful attention to where this product is located. Check load capacity of ceiling/floor prior to installation as some surfaces are not suitable for installation. Designed for indoor use, this mount is suitable for public or home installation. If located in a public or frequently populated area ensure that the product is out of the immediate reach of people.

If any AV equipment is to be suspended over the likely path or location of people then great care should be taken to secure all parts of the installation from falling.

When drilling holes it is essential to avoid contact with electrical cables and water or gas pipes contained within.

Use of a good quality live wire detector and hidden object locator is therefore recommended.

Only drill into structures when you are sure it is safe to do so.

Fixing hardware

It is highly recommended that all fixing screws be used where supplied and that the purpose of all other fixing hardware is fully understood. In some cases more AV equipment fixing hardware will be supplied to accommodate different models of equipment and set up configurations. The installer must be satisfied that any supplied fixing hardware is suitable for each specific installation. The fixing kit supplied with the product may not be suitable for all ceilings/floors.

If any fixing screws or included hardware are deemed not sufficient for a safe installation then please consult a professional or your local hardware store.

Hazard limitation

When routing cables take advantage of any built in cable management features that the product might provide and ensure that all cables are tidy and secure. Check to see that any moving aspect of the product can do so unhindered by any cabling. Some products have moving parts and the potential to cause injury through the crushing or trapping of fingers or other body parts. Particular attention to the nature of moving parts is required especially when assembling installing and adjusting during set up. Immediately after installation double-check that the work done is safe and secure. Double-check all necessary fixings are present and are of ample tightness.

It is recommended that periodic inspections of the product and its fixing points are made as frequently as possible (no more than 6 months apart) to ensure that safety is maintained.

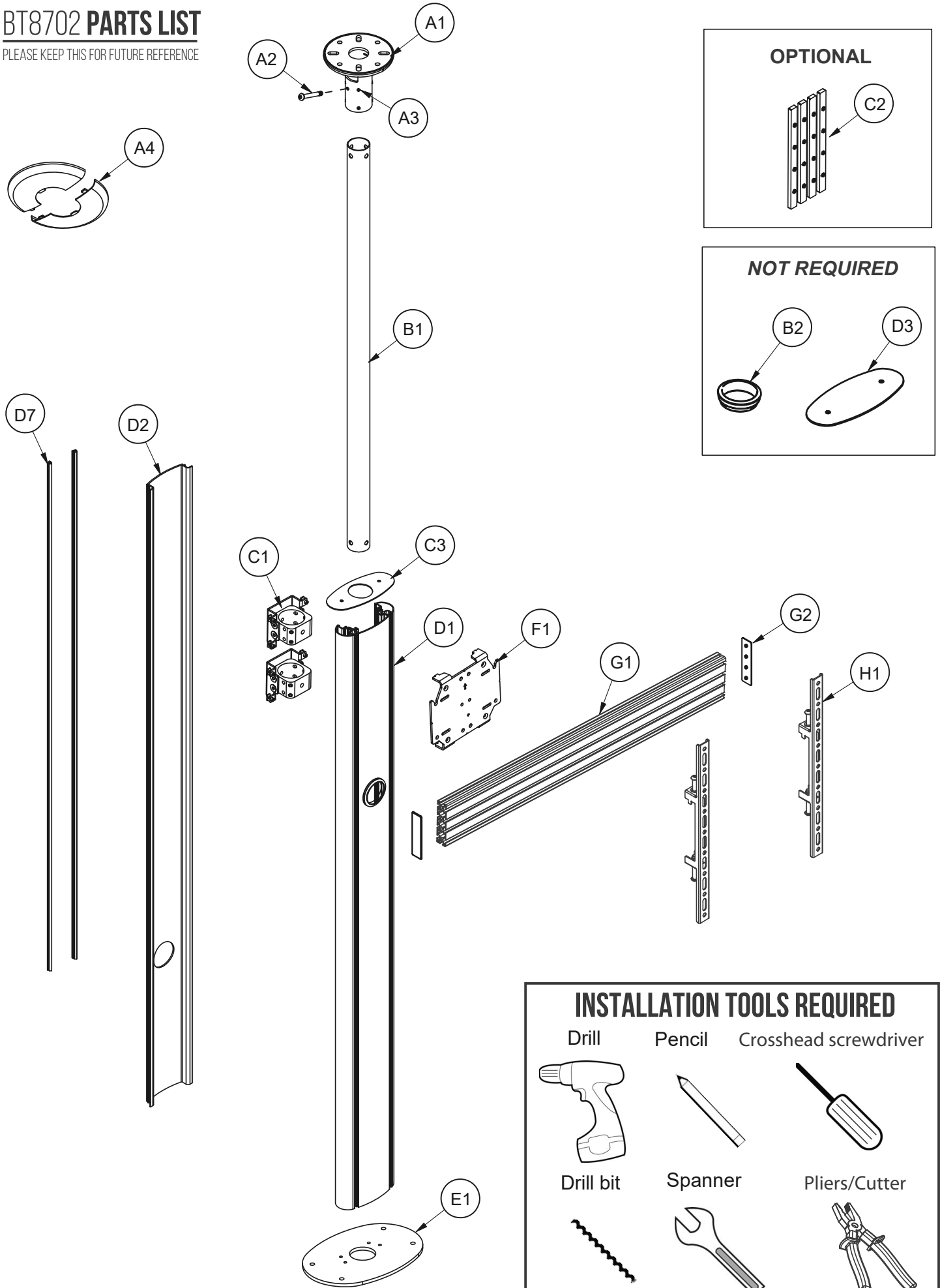
If in doubt consult a professional AV installer or other suitably qualified person.

- CN B-Tech AV Mounts 建议本产品由专业AV安装人员或其他合格人员安装。 B-Tech AV Mounts 及它的代理商、经销商不由于不恰当的安装而造成的损失或伤害负责。 本产品必须安装在合适的架构上，并仅用于不超过所标示的最大承重。
- CS Společnost B-Tech AV Mounts doporučuje provést instalaci tohoto produktu instalátora AV či jinak způsobilé osoby. Společnost B-Tech AV Mounts, její distributoři a prodejci nenesou prostřednictvím odborného odpovědnost za škody nebo zranění způsobená nevhodnou instalací. Tento výrobek je nutno umístit do vhodné konstrukce a používat jen po uvedené maximální výšce.
- DE B-Tech AV Mounts empfiehlt, dass dieses Produkt durch einen qualifizierten AV-Techniker oder eine andere Person mit geeigneter Qualifikation installiert wird. B-Tech AV Mounts, ihre Distributoren und Händler können nicht für durch fehlerhafte Montage verursachte Beschädigung oder Verletzung haftbar bzw. verantwortlich gemacht werden. Dieses Produkt muss auf einem geeigneten Untergrund montiert werden und darf nur bis zum angegebenen Höchstgewicht verwendet werden.
- ES B-Tech AV Mounts recomienda que un instalador de audio y video profesional u otra persona debidamente cualificada instalen este producto. B-Tech AV Mounts, sus distribuidores y concesionarios no se hacen cargo ni se responsabilizan de ningún daño o lesión provocados por una instalación inapropiada. Este producto se debe montar en una estructura adecuada y se debe utilizar soportando solamente hasta el peso máximo indicado.
- FR B-Tech AV Mounts recommande de confier l'installation de ce produit à un installateur AV professionnel ou à une autre personne dûment qualifiée. B-Tech AV Mounts, ses distributeurs et ses revendeurs ne sauraient être tenus responsables de tout dégât ou de toute blessure résultant d'une installation incorrecte. Ce produit doit être monté sur un support approprié et utilisé dans la limite du poids maximum indiqué.
- IT B-Tech AV Mounts consiglia di affidare l'installazione di questo prodotto a un installatore specializzato o ad altra persona adeguatamente qualificata. B-Tech AV Mounts, i suoi distributori e rivenditori non accettano alcuna responsabilità nei riguardi di eventuali danni o infortuni causati da un'errata installazione. Questo prodotto deve essere fissato a una struttura idonea e utilizzato unicamente sino al peso massimo indicato.
- JP B-Tech AV Mounts はAV設置の専門家または適合した知識を備えた人が製品を設置することを推奨します。B-Tech AV Mounts と販売店、取引先はこうした安全指針に従わない場合に随伴される製品の損傷や傷害に対する責任を負いません。場合によって製品が設置されるに適していないところもあるので設置位置に特別な注意を傾けてください。この製品の位置に注意を傾けて設置に適していない壁があるかを確認してください。指定した重さ制限を超過するAV装備を装着しないでください。
- KR B-Tech AV Mounts 는 AV 설치 전문가 또는 적합한 지식을 갖춘 사람이 제품을 설치하도록 권장합니다. B-Tech AV Mounts 와 판매점, 거래처는 이러한 안전 지침을 따르지 않을 경우에 수반될 제품의 손상이나 상해에 대한 책임을 지지 않습니다. 경우에 따라 제품이 설치되기에 적합하지 않은 곳들도 있으므로 설치 위치에 특별한 주의를 기울여 주시기 바랍니다. 제품의 설치 위치에 주의를 기울여 확인하십시오. 지정된 무게 제한을 초과하는 AV 장비를 장착하지 마십시오.
- NL B-Tech AV Mounts adviseert om dit product te laten installeren door een professionele AV-installateur of andere hiervoor gekwalificeerde persoon. B-Tech AV Mounts, haar distributeurs en dealers zijn niet aansprakelijk of verantwoordelijk voor schade of letsel die is veroorzaakt door onoordeelkundige installatie. Dit product moet worden gemonteerd aan een geschikte constructie, waarbij het aangegeven maximum gewicht niet mag worden overschreden.
- PL Firma B-Tech AV Mounts zaleca, aby ten produkt był instalowany przez profesjonalnych instalatorów AV lub inny odpowiednio przeszkolony personel. Firma B-Tech AV Mounts, jej dystrybutorzy i dealerzy nie ponoszą odpowiedzialności za uszkodzenia lub obrażenia ciała powstałe w wyniku nieprawidłowej instalacji. Niniejszy produkt musi być amontowany na odpowiedniej powierzchni, a podczas użytkowania nie wolno przekraczać podanego maksymalnego obciążenia.
- PT A B-Tech AV Mounts recomenda que a instalação deste produto seja efectuada por um instalador de AV instalador de AV profissional ou outra pessoa devidamente habilitada. A B-Tech AV Mounts e os seus distribuidores e concessionários não são responsáveis por danos ou lesões causados por uma instalação incorrecta. Este produto tem de ser montado numa estrutura adequada e utilizado somente até ao peso máximo indicado.
- RU Компания B-Tech AV Mounts рекомендует, чтобы установка данного изделия производилась инженером по установке аудио-видеотехники или другим специалистом с соответствующей квалификацией. Компания B-Tech AV Mounts ее дистрибьюторы и дилеры не несут ответственности за повреждения или травмы, полученные в результате неправильной установки.

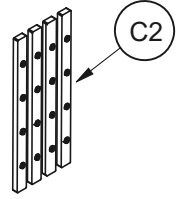
توصي بي- تك للتجارة الدولية المحدودة بأن شخص محترف في تركيب ال AV او شخص مؤهل تأهيلا مناسباً لتركيب هذا المنتج. بي- تك للتجارة الدولية، موزعيها والتجار ليست عرضة أو مسؤولة عن الأضرار أو الإصابات الناجمة عن تركيب غير سليم، والاستخدام غير السليم أو عدم مراعاة هذه التعليمات للسلامة. يجب أن يتم تركيب هذا المنتج في بنية مناسبة ويجب استخدامه فقط لدعم الحد الأقصى للوزن المشار إليه.

BT8702 PARTS LIST

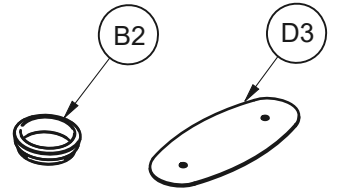
PLEASE KEEP THIS FOR FUTURE REFERENCE



OPTIONAL



NOT REQUIRED



INSTALLATION TOOLS REQUIRED

Drill



Drill bit



Pencil



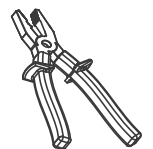
Spanner



Crosshead screwdriver



Pliers/Cutter

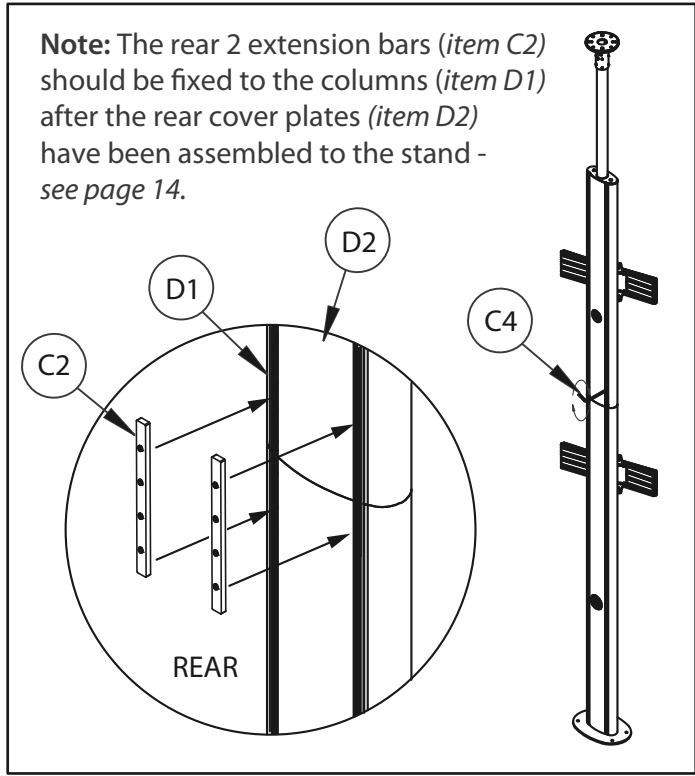
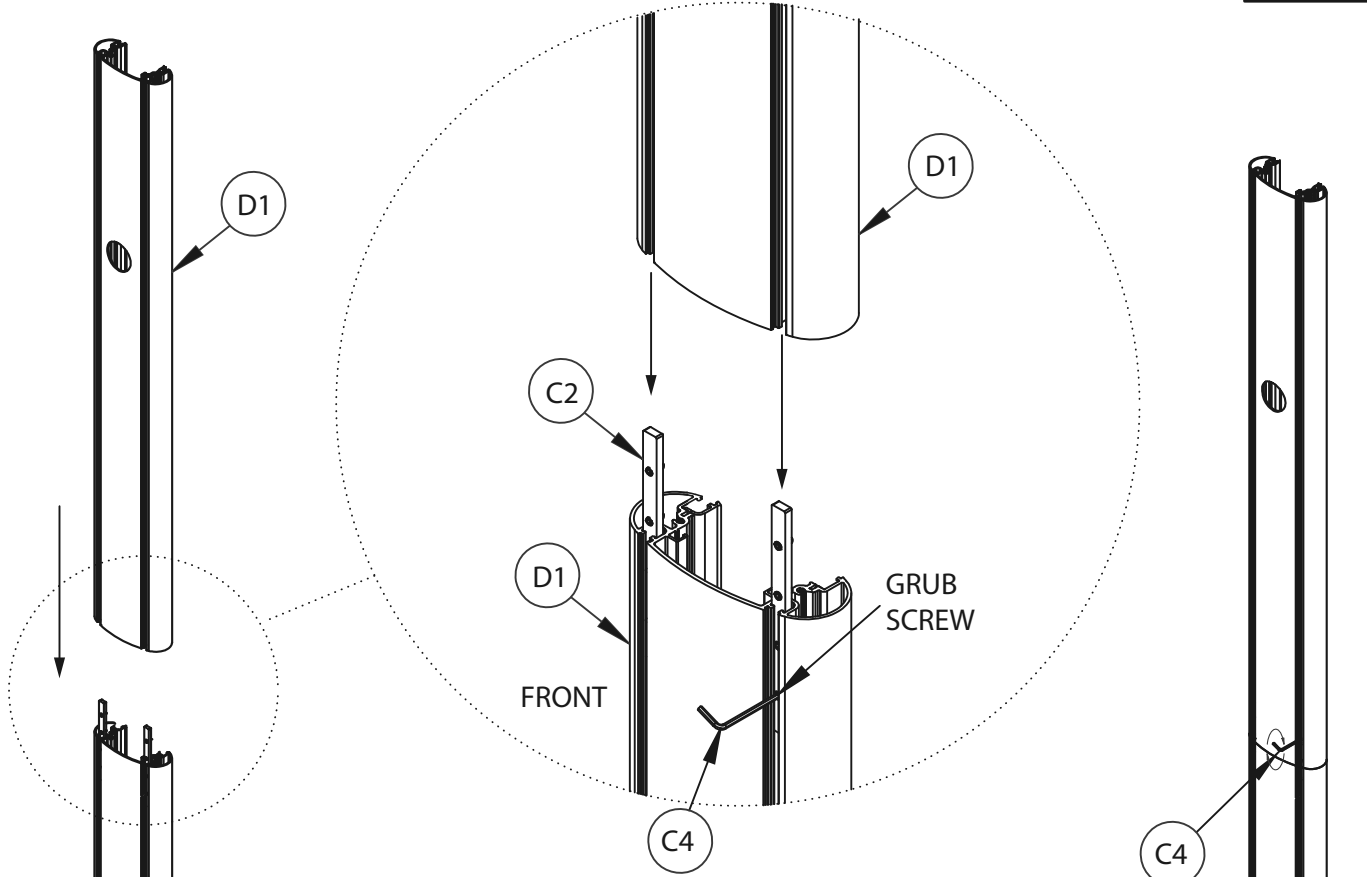
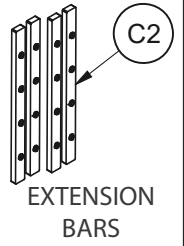


ITEM	PART	REF	DESCRIPTION	QTY
	CEILING MOUNT	A1	CEILING PLATE	1
		A2	M8 x 60mm HEX SOCKET SCREW	1
		A3	M8 x 8mm GRUB SCREW	8
		A4	CEILING PLATE COVER	2
		A5	M8 x 12mm HEX SCREW	1
		A6	4AF HEX KEY	1
		A7	5AF HEX KEY	1
	POLE	B1	EXTENSION POLE	1
		B2	END CAP (<i>NOT REQUIRED</i>)	1
	COLLAR	C1	COLLAR	2
		C2	EXTENSION BAR (<i>OPTIONAL</i>)	4
		C3	END CAP	1
		C4	3AF HEX KEY	1
	COLUMN	D1	COLUMN	1
		D2	COLUMN REAR COVER	1
		D3	END CAP (<i>NOT REQUIRED</i>)	1
		D4	M6 x 12mm HEX SCREW	2
		D5	M6 x 12mm GRUB SCREW (<i>OPTIONAL</i>)	4
		D6	SQUARE NUT (<i>OPTIONAL</i>)	4
		D7	COVER STRIP	4
		D8	3AF HEX KEY	1
		D9	4AF HEX KEY	1
	BASE	E1	BOLT DOWN BASE	1
		E2	M6 x 35mm CSK HEX SCREW	4
		E3	4AF HEX KEY	1
	MOUNTING BRACKET	F1	RAIL-TO-COLUMN MOUNTING BRACKET	1
		F2	M6 x 40mm CSK HEX SCREW	4
		F3	RECTANGLE NUT	4
		F4	M8 SLIDING INSERT	4
		F5	M8 x 12mm SCREW	4
		F6	4AF HEX KEY	1
		F7	5AF x L120mm HEX KEY	1
	RAIL	G1	MOUNTING RAIL	1
		G2	END CAP	2
	ARMS	H1	SCREEN INTERFACE ARM	2
		H2	5AF LONG HEX KEY	1
	SCREEN FIXING KIT	H3	M4 x 12mm SCREW	4
		H4	M4 x 25mm SCREW	4
		H5	M4 x 40mm SCREW	4
		H6	M6 x 16mm SCREW	4
		H7	M6 x 25mm SCREW	4
		H8	M6 x 40mm SCREW	4
		H9	M8 x 16mm SCREW	4
		H10	M8 x 25mm SCREW	4
		H11	M8 x 40mm SCREW	4
		H12	MULTI-WASHER	4
		H13	5mm SPACER	4
		H14	13mm SPACER	4
		H15	24mm SPACER	4

OPTIONAL EXTENDING THE COLUMNS

COMBINING COLUMNS

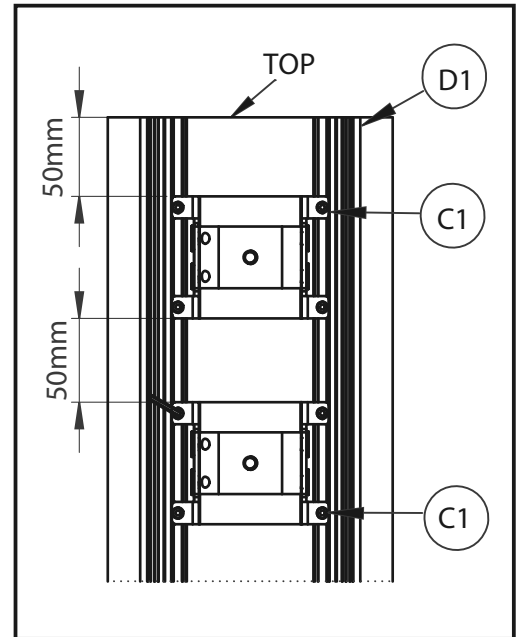
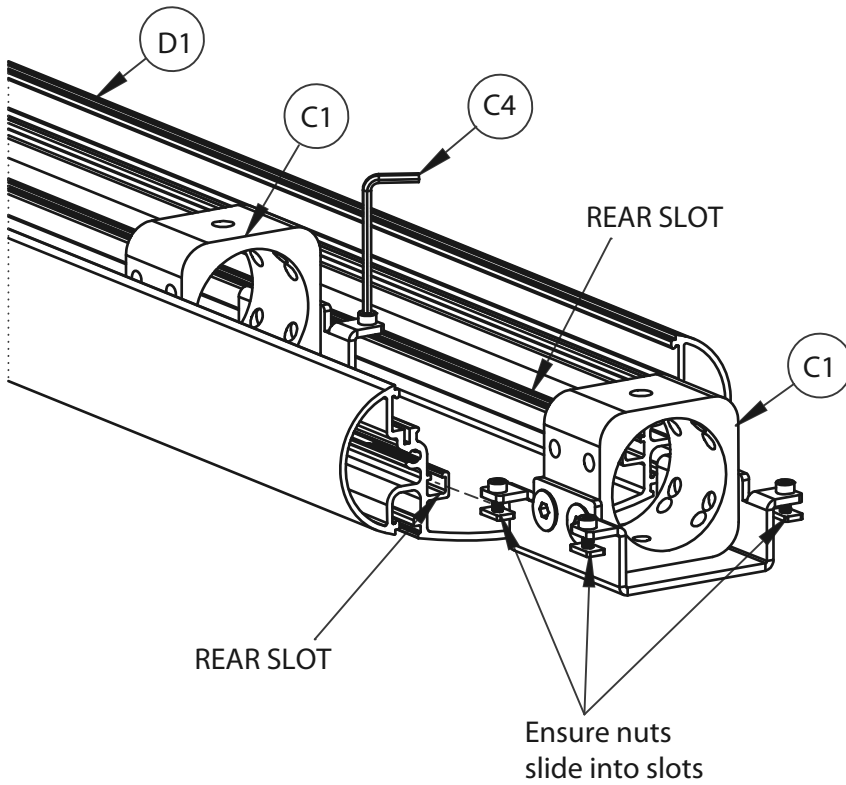
- i. On the front of *item D1*, fix 2 x *item C2* into the top of the column and tighten the bottom 2 grub screws.
- ii. Slide the top *item D1* onto *item C2*, and fix the remaining 2 grub screws on *item C2*.



INSTALLATION INSTRUCTIONS

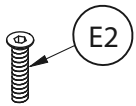
1. INSERT COLLARS TO TOP OF COLUMN

Insert both *items C1* into the rear slots on *item D1* (**Note:** Ensure nuts slide into the slots). Set *item C1* 50mm apart and from the top of *item D1*.

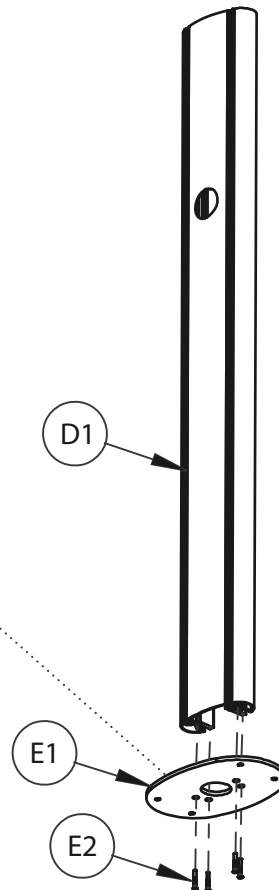
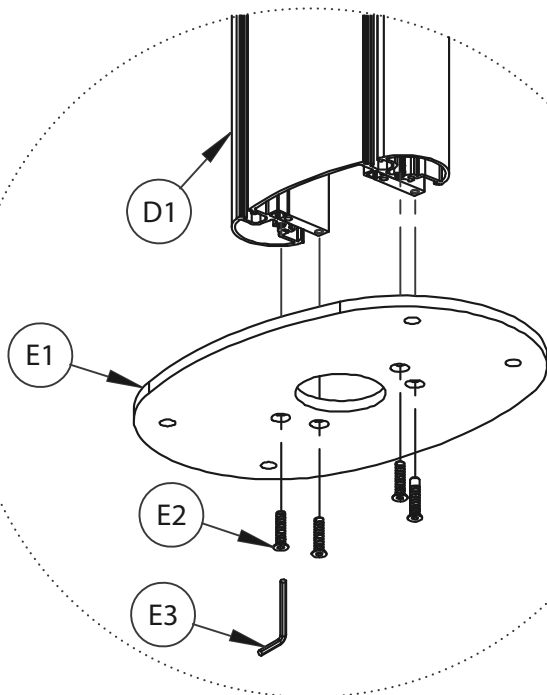


2. FIX BASE TO COLUMN

Fix *item E1* to the bottom of *item D1* using *item E2*.

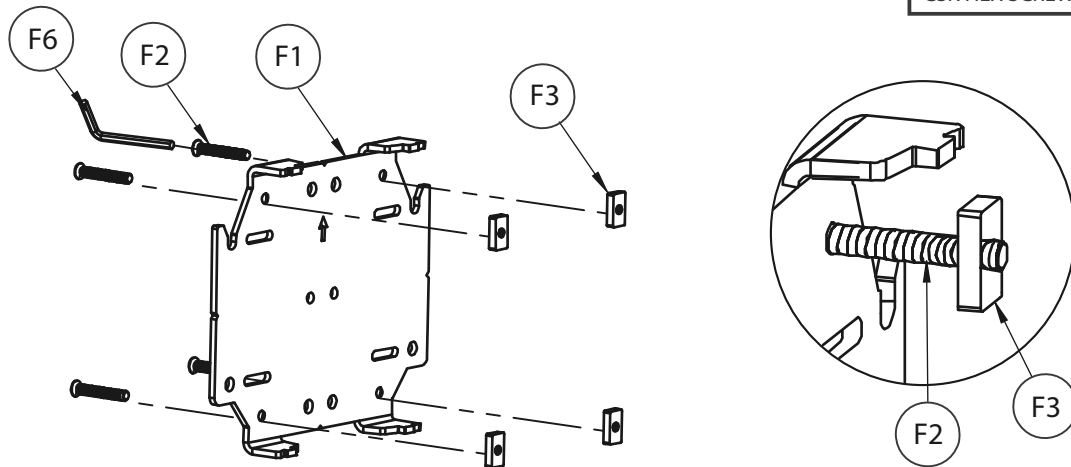
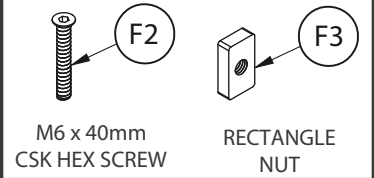


M6 x 35mm
CSK HEX SCREW

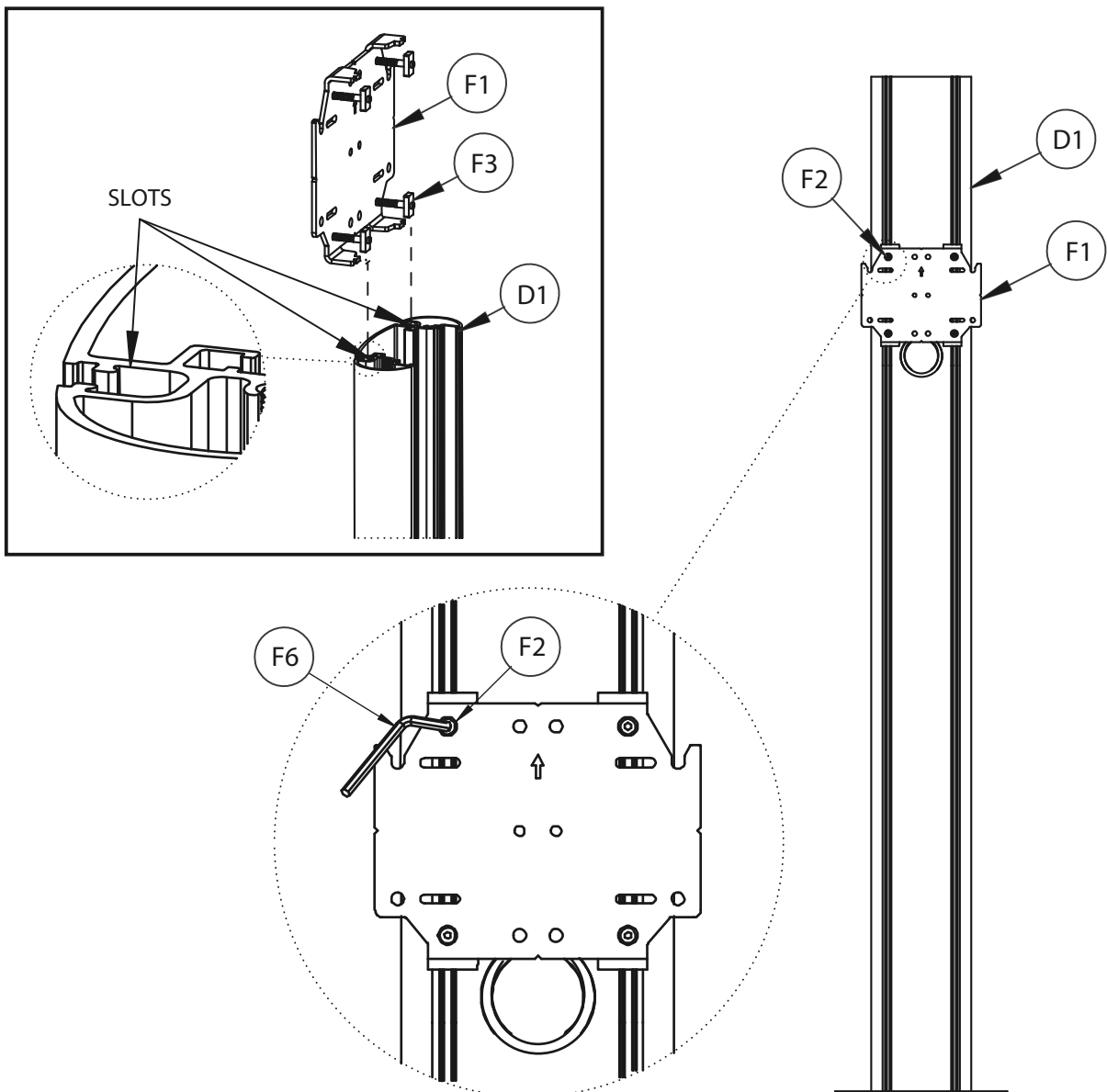


3. ATTACH MOUNTING BRACKET TO COLUMN

- i. Insert 4 x *item F2* into *item F1* and attach *item F3*.
Screw two full turns to leave *item F3* at the end of *item 2*.

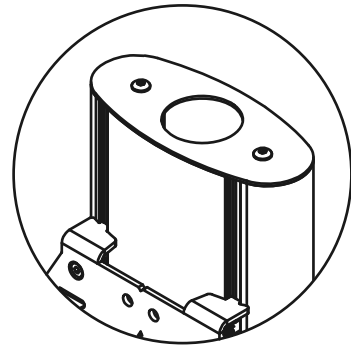
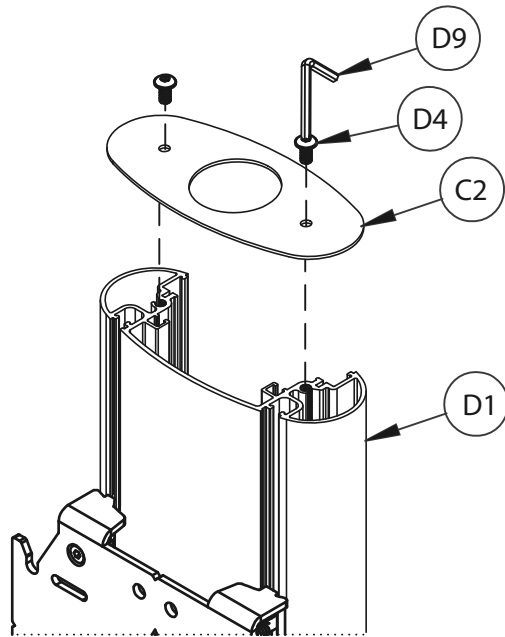
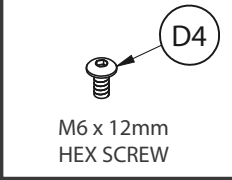


- ii. Slide *item F1* down the front slots of *item D1* to the correct height and tighten *items F2*.



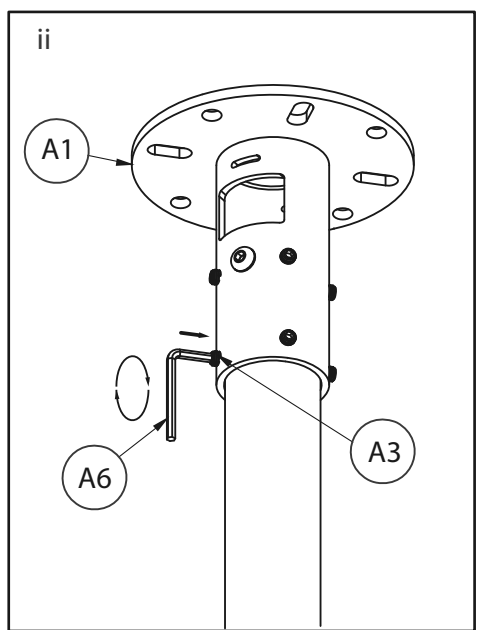
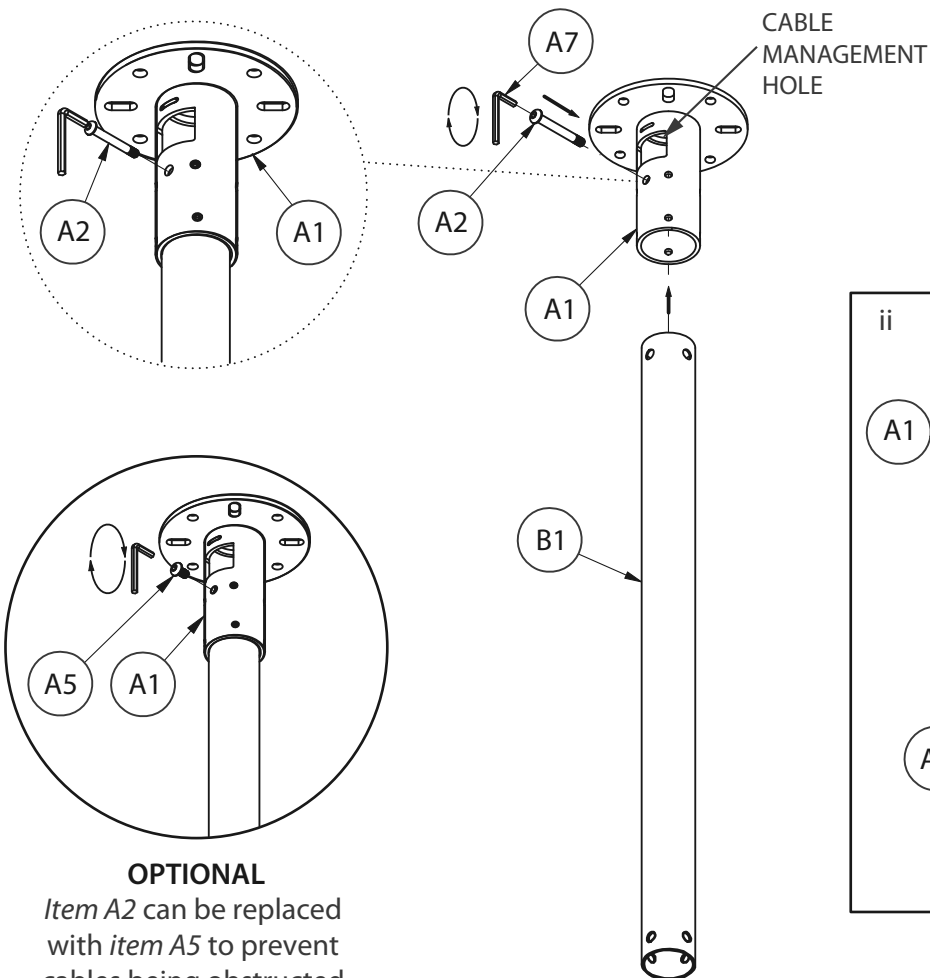
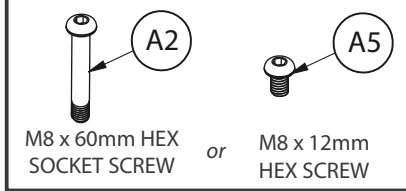
4. FIX END CAP TO COLUMN

Attach *item C2* to the top of *item D1* using *item D4*.



5. ATTACH POLE TO CEILING PLATE

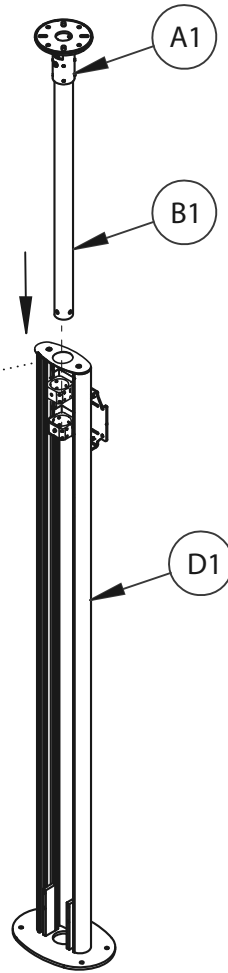
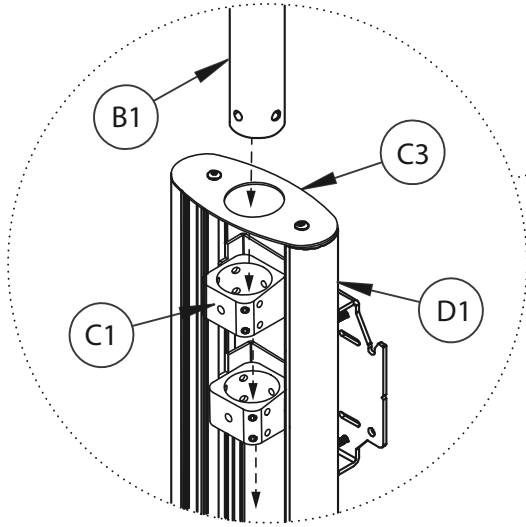
- i. Insert *item B1* into *item A1* and secure in place using *item A2*.
- ii. Tighten all *item A3* on *item A1*.



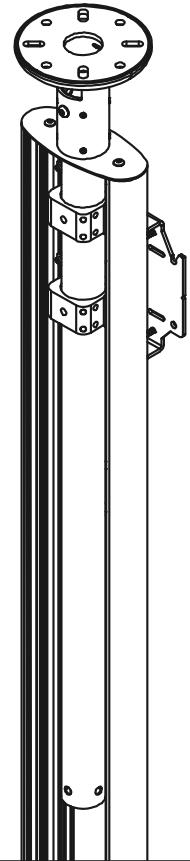
OPTIONAL
Item A2 can be replaced with *item A5* to prevent cables being obstructed.

6. INSERT POLE INTO COLUMN

Insert *item B1* into *item D1* through *items C1 & C3*.

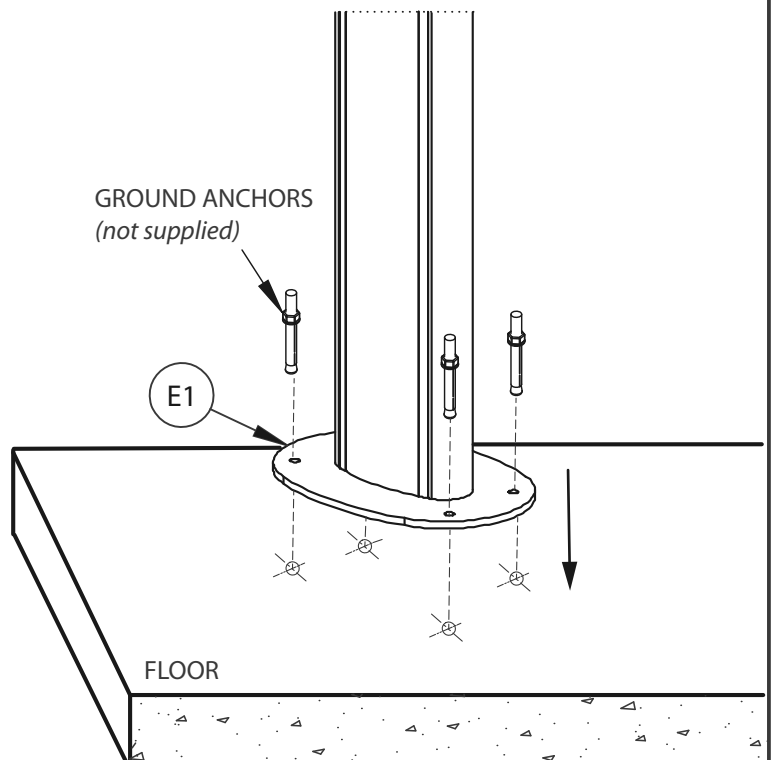
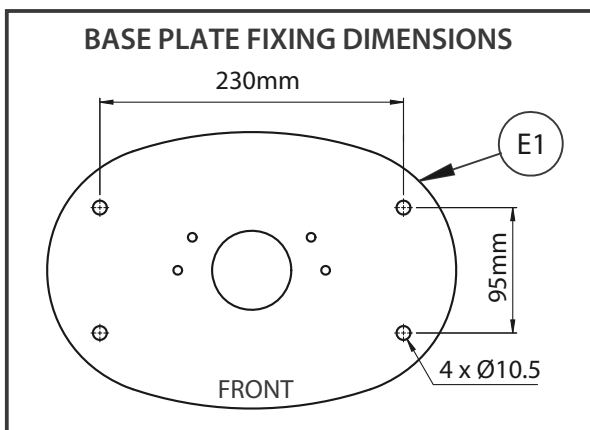
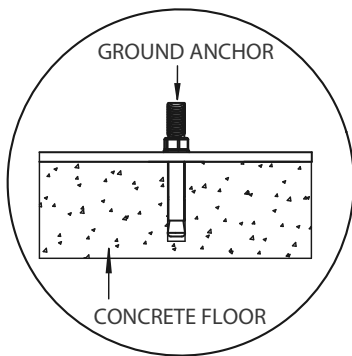


Pole inserted into column
Note: Keep loose, do not fix.



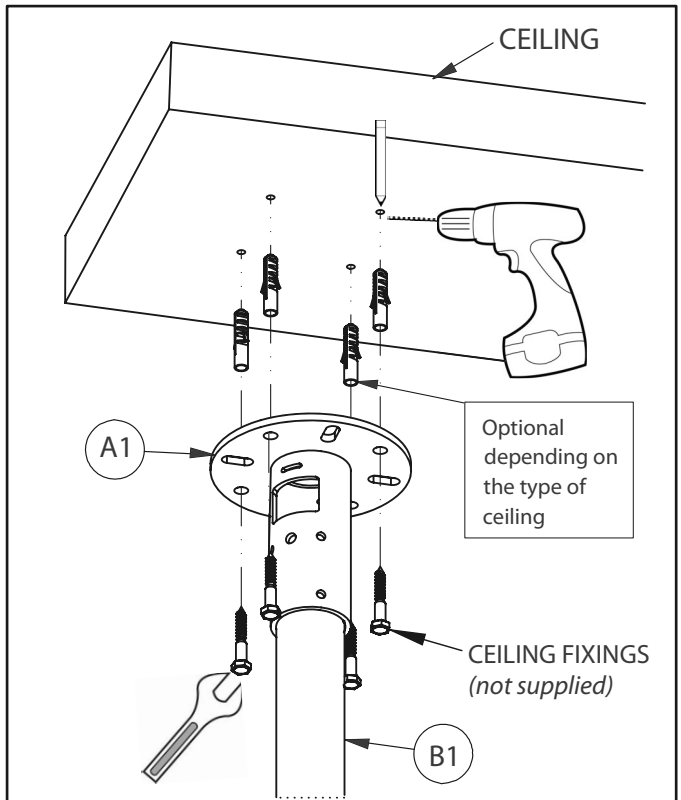
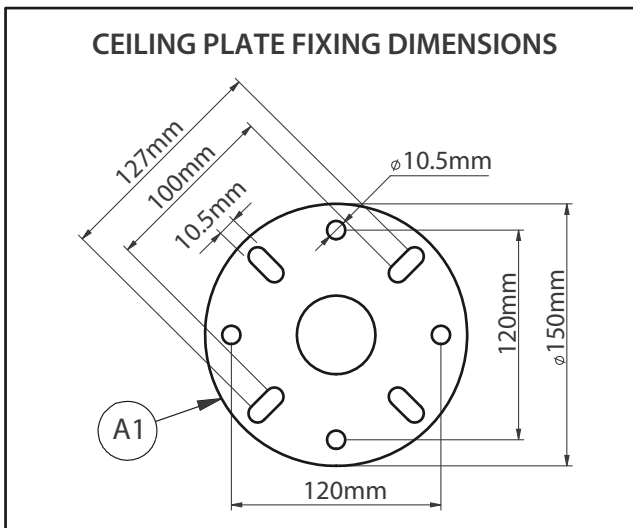
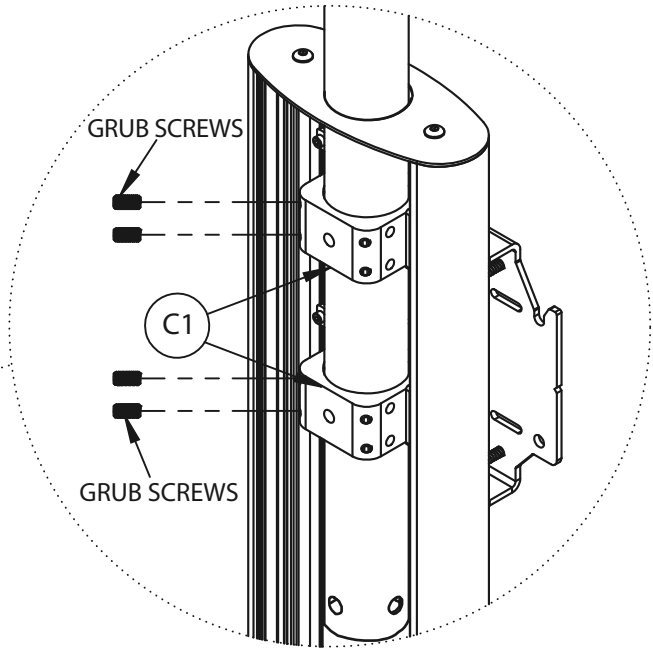
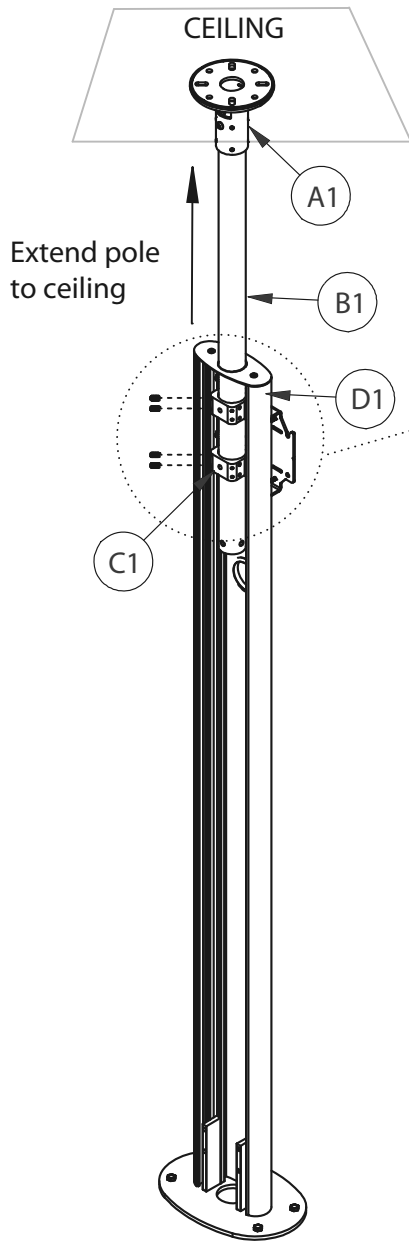
7. BOLT STAND TO THE FLOOR

Pre-drill holes in floor and using suitable ground anchor fixings (*not supplied*), fix stand to floor.

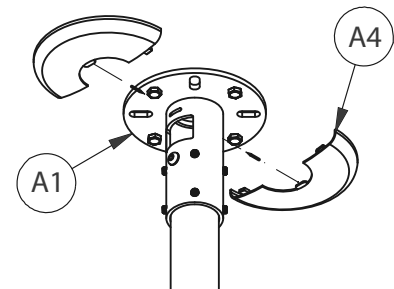


8. FIX TO CEILING

- i. Extend *item B1* to mark and drill holes in the ceiling for *item A1*. Secure *item B1* in place using the grub screws on *item C1*, then fix *item A1* to ceiling (*fixings not supplied*).

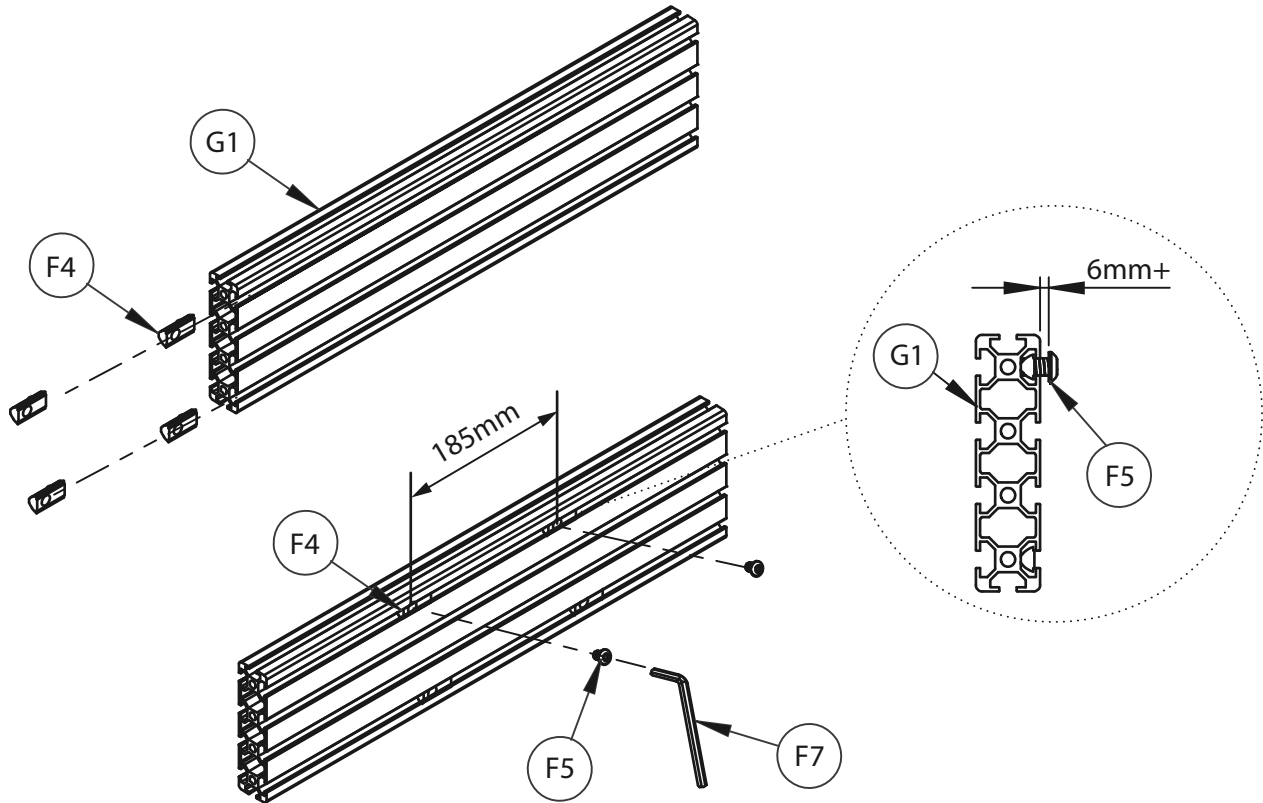
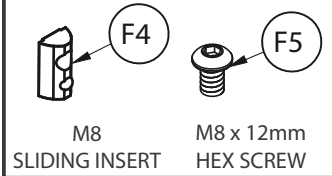


- ii. Once mounted, fit *item A4* over *item A1*.

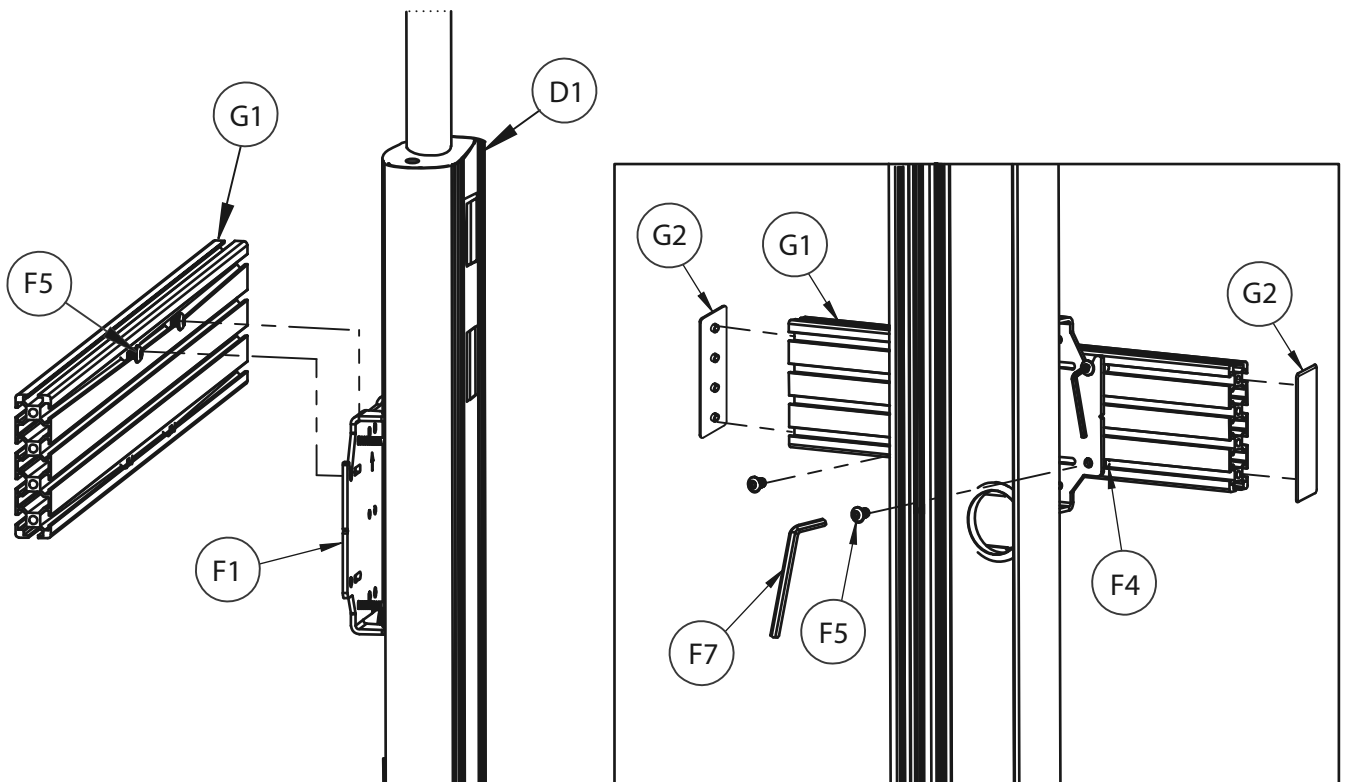


9. HOOK RAIL ONTO MOUNTING BRACKET

- i. Insert 4 x *item F4* into *item G1* (2 in the top channel, 2 in the bottom channel).
- ii. Screw 2 x *item F5* into *item F4* in the top channel - allow at least a 6mm gap so the rail can be hooked on to *item F1*.



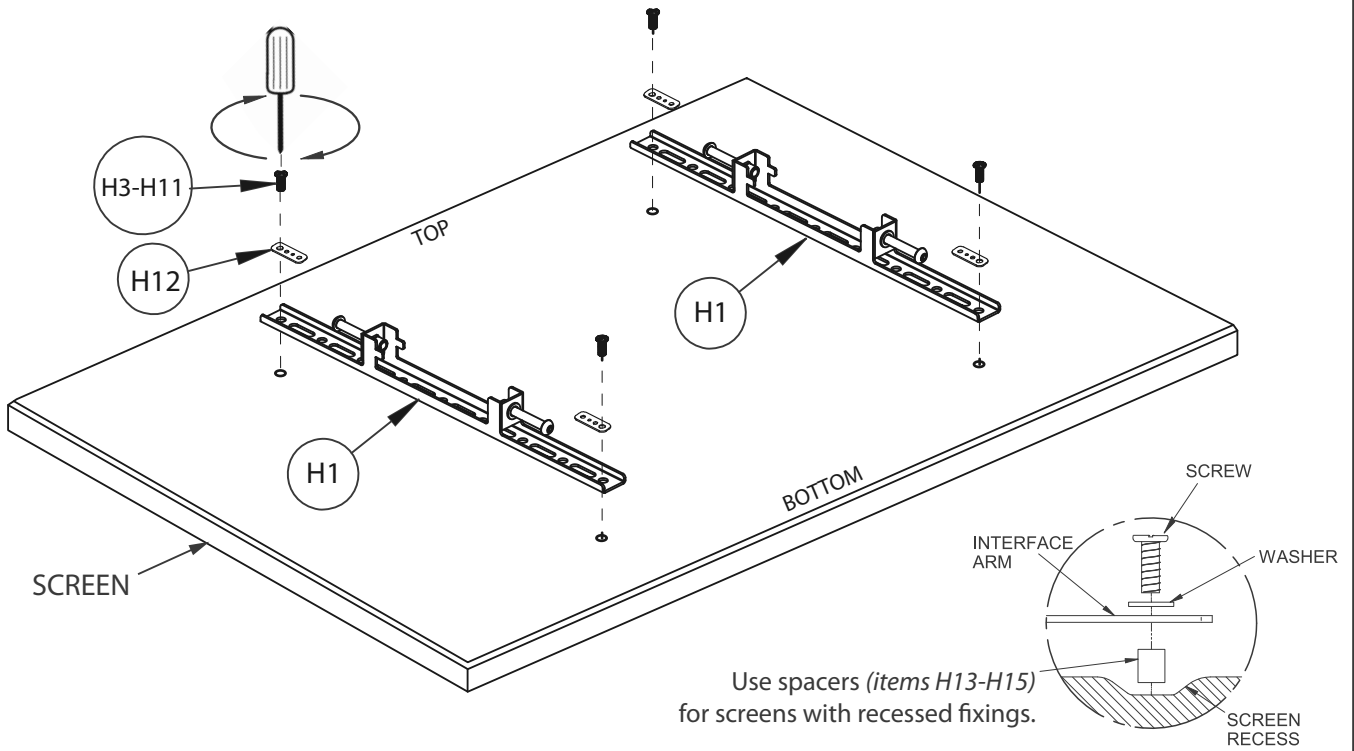
- iii. Hook *item G1* onto *item F1* and fix in place with *item F5*.
- iv. Attach *item G2* to the ends of *item G1*



10. ATTACH INTERFACE ARMS TO SCREEN

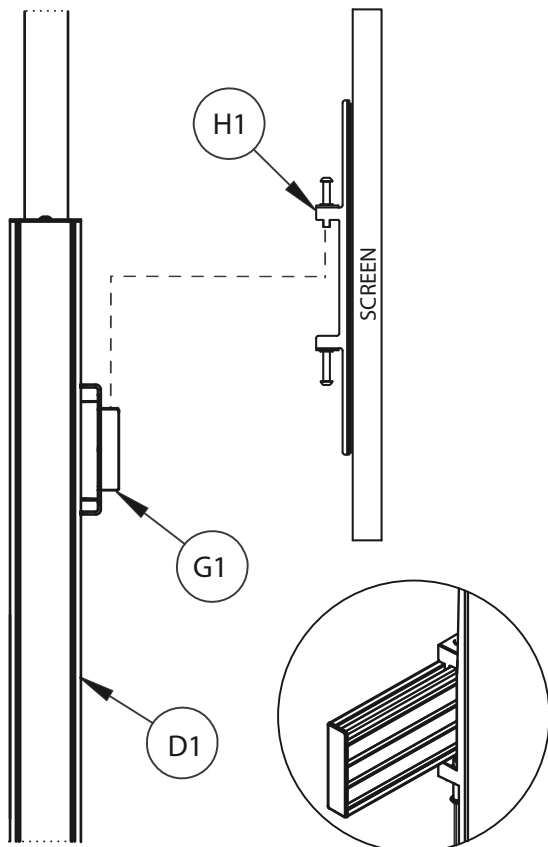
Fix item H1 to the rear of the screen using items H3 - H15.

Note: Ensure the arms are facing the correct way round and the same holes are used on both arms.



11. HOOK SCREEN ONTO RAIL

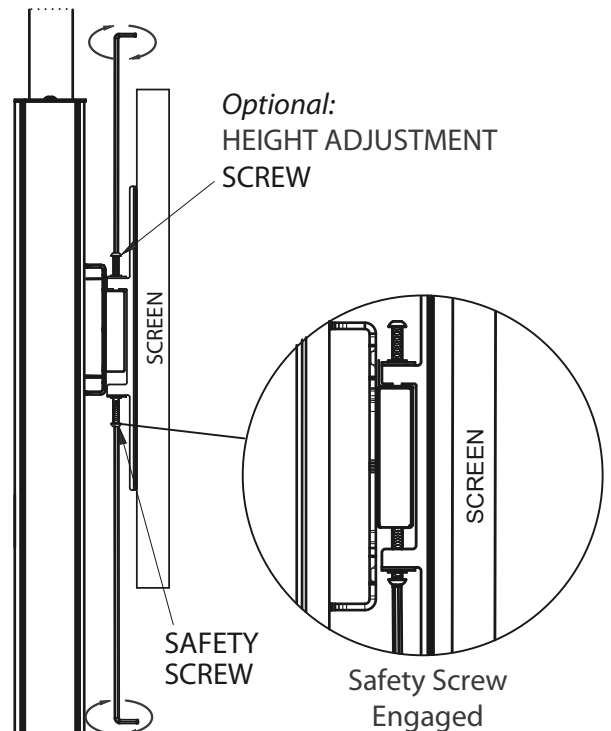
Use items H1 to hook the screen onto item G1.



12. LOCK SCREEN TO RAIL

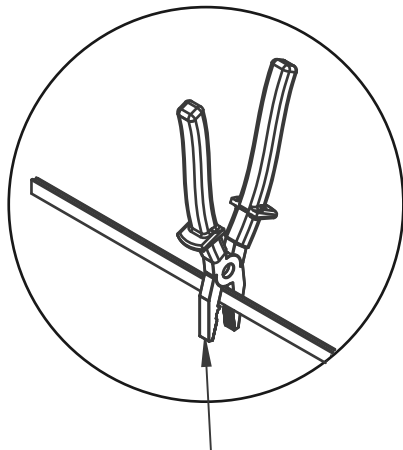
Tighten the safety screws on the bottom of item H1 securing the screen to item G1.

Note: If necessary, adjust the height adjustment screws on top of item H1 to level the screen.

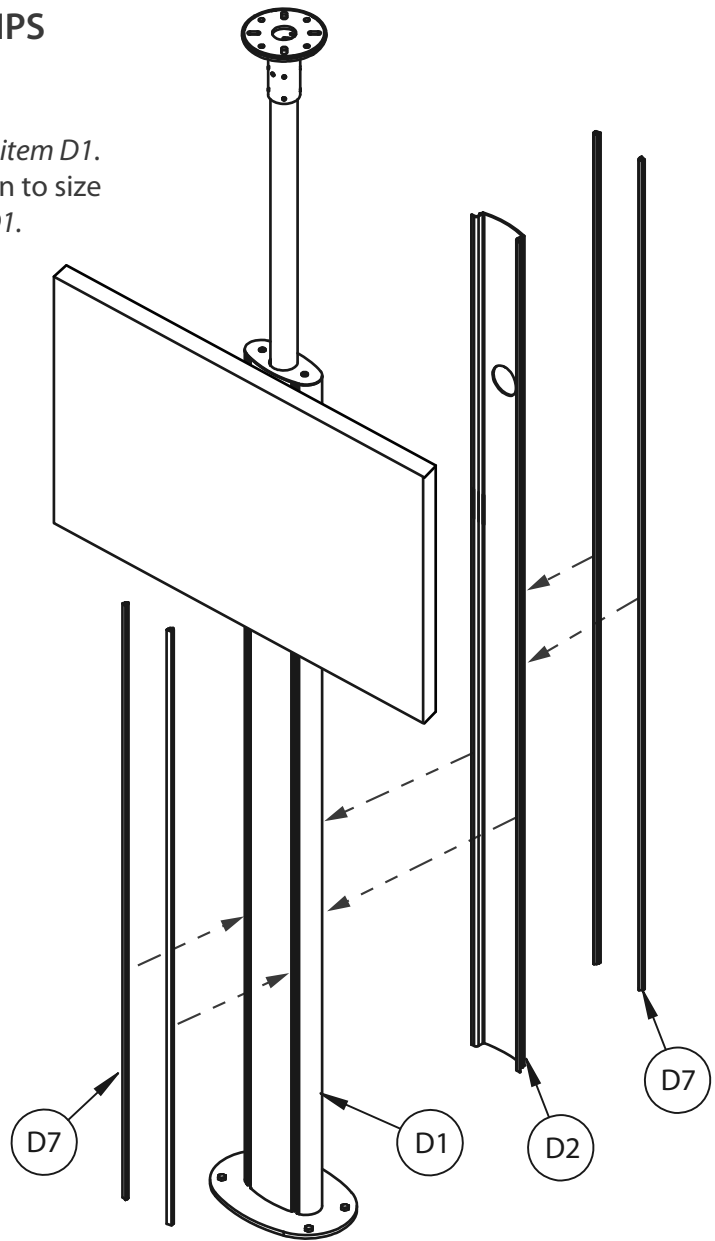


14. ATTACH REAR COVER AND STRIPS

- i. After the display has been mounted attach *item D2* to the back of *item D1*.
 - ii. Insert *item D7* to the front and back of *item D1*.
- Note:** *Item D7* may have to be cut down to size to be able to fit into the front of *item D1*.

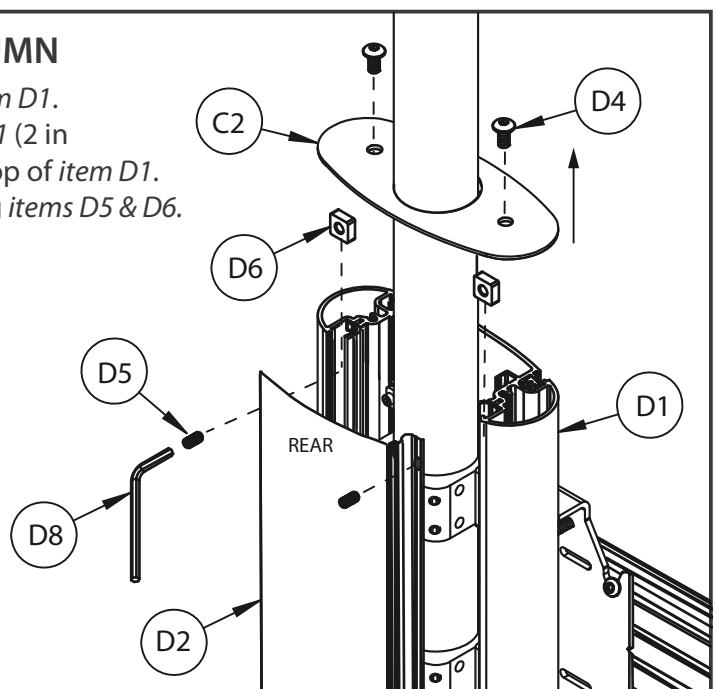
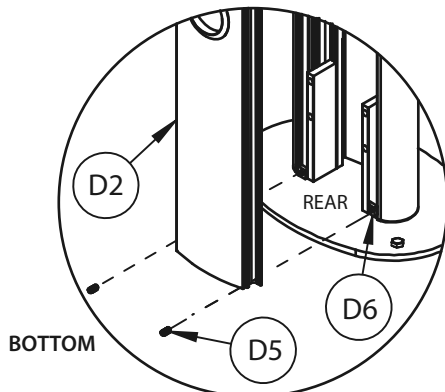


Use pliers to cut *item D7* to correct size



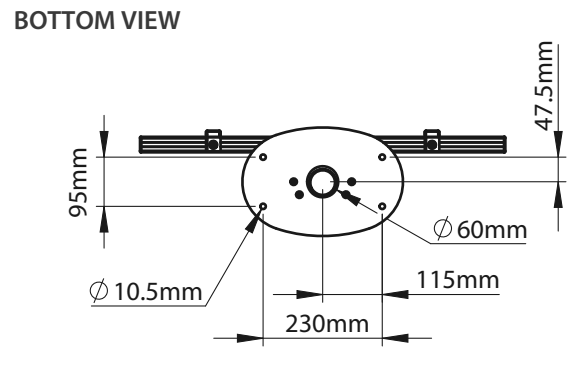
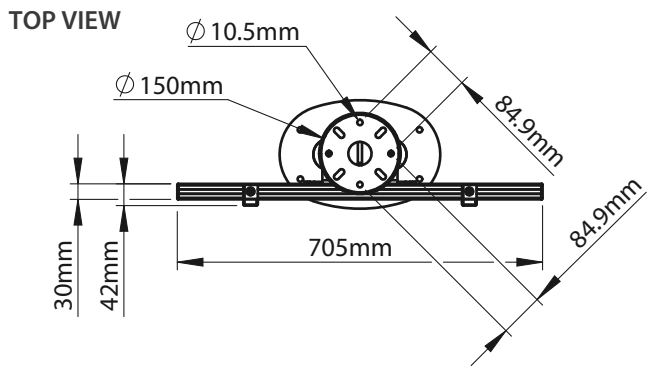
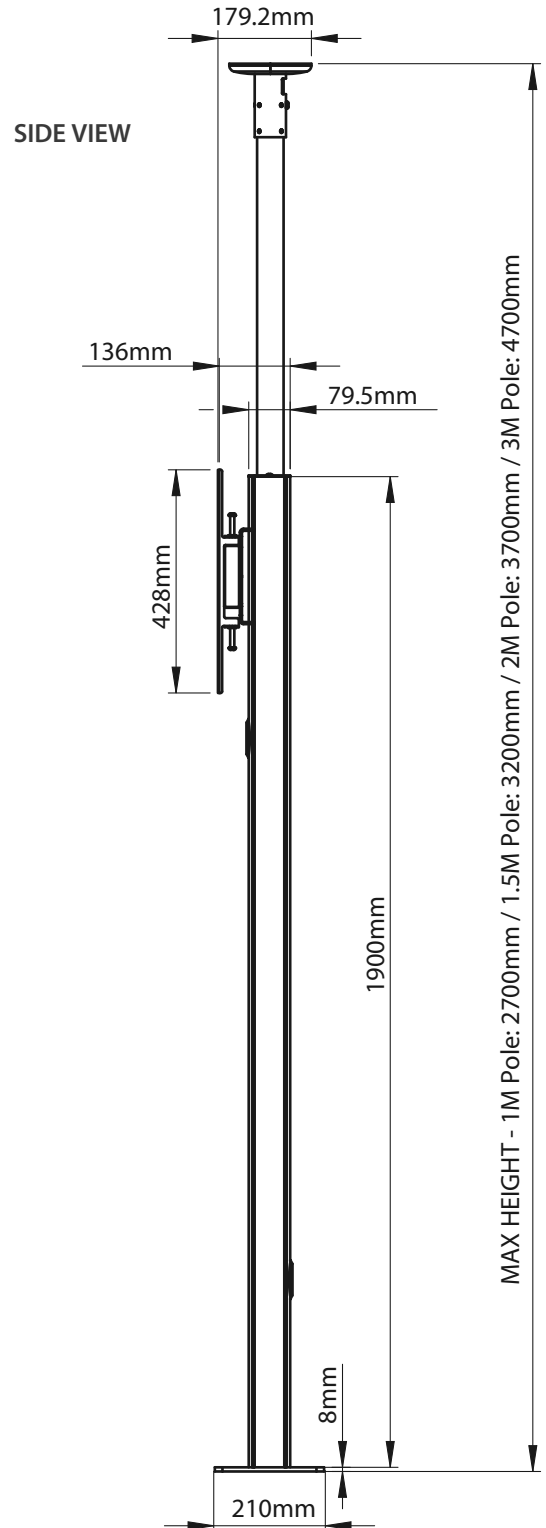
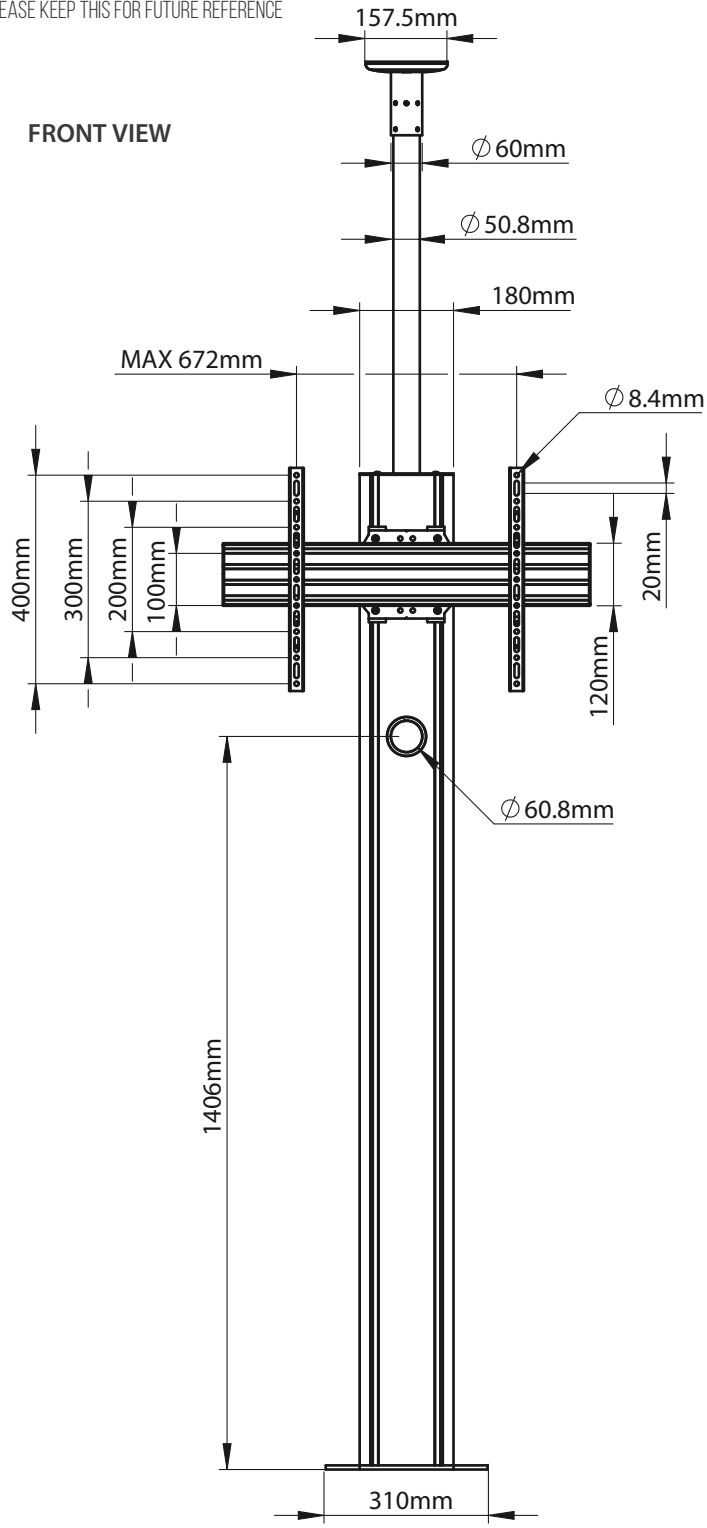
OPTIONAL - FIX REAR COVER TO COLUMN

- i. Unfasten *items D4* and lift *item C2* up from *item D1*.
- ii. Insert 4 x *item D6* into the back slots of *item D1* (2 in each slot), place 2 at the bottom and at the top of *item D1*.
- iii. Secure *item D2* onto the back of *item D1* using *items D5 & D6*.
- iv. Fix *item C2* back onto *item D1*.



BT8702 DIMENSIONS

PLEASE KEEP THIS FOR FUTURE REFERENCE



THESE INSTRUCTIONS ARE INTENDED AS A GUIDE ONLY AND B-TECH ACCEPTS NO LIABILITY FOR THE ACCURACY OF THE INFORMATION CONTAINED IN THIS DOCUMENT.

B-TECH AV MOUNTS



CONTACT:

info@btechavmounts.com

©2020 B-Tech AV Mounts. All rights reserved.

B-Tech AV Mounts is a division of B-Tech International Design and Manufacturing Ltd.

B-Tech AV Mounts and the B-Tech logo are registered trade marks.

All other brands and product names are trademarks of their respective owners.

Photographs are for illustrative purposes only. E&OE.

AMA-BT8702-V1-0220-104 MADE IN VIETNAM



For More Information Visit www.btechavmounts.com