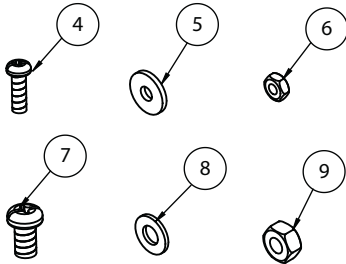
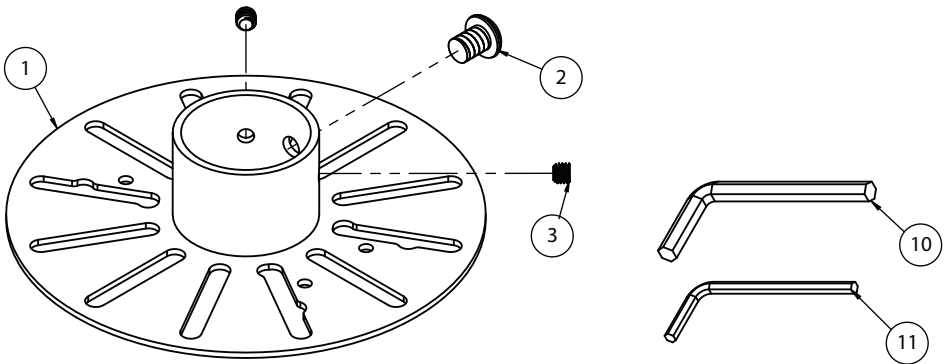


BT5910

DOME SECURITY CAMERA MOUNT

USE WITH A BT5935 POLE

PARTS LIST



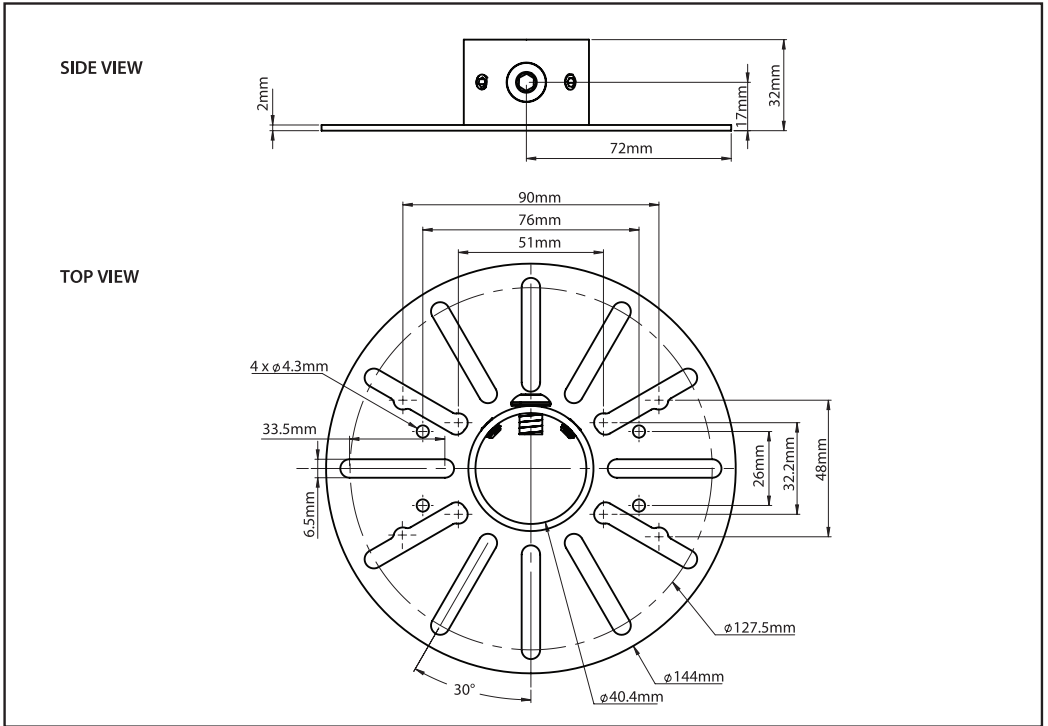
ITEM	DESCRIPTION	QTY
1	INTERFACE	1
2	M8 x 10mm HEX SCREW	1
3	M6 x 5mm HEX GRUB SCREW	2
4	M4 x 12mm SCREW	4
5	M4 METAL WASHER	4
6	M4 NUT	4
7	M6 x 10mm SCREW	4
8	M6 WASHER	4
9	M6 NUT	4
10	5AF HEX KEY	1
11	3AF HEX KEY	1

BT5910

DOME SECURITY CAMERA MOUNT



PRODUCT DIMENSIONS



CONTACT:
info@btechavmounts.com

©2020 B-Tech International Design & Manufacturing Ltd. All rights reserved.
 B-Tech AV Mounts is a division of B-Tech International Design & Manufacturing Ltd.
 B-Tech AV Mounts and the B-Tech logo are registered trade marks.
 All other brands and product names are trademarks of their respective owners.
 Photographs are for illustrative purposes only. E&OE.

AMA-BT5910-V1-1020-110 MADE IN VIETNAM

