



B-TECH AV MOUNTS



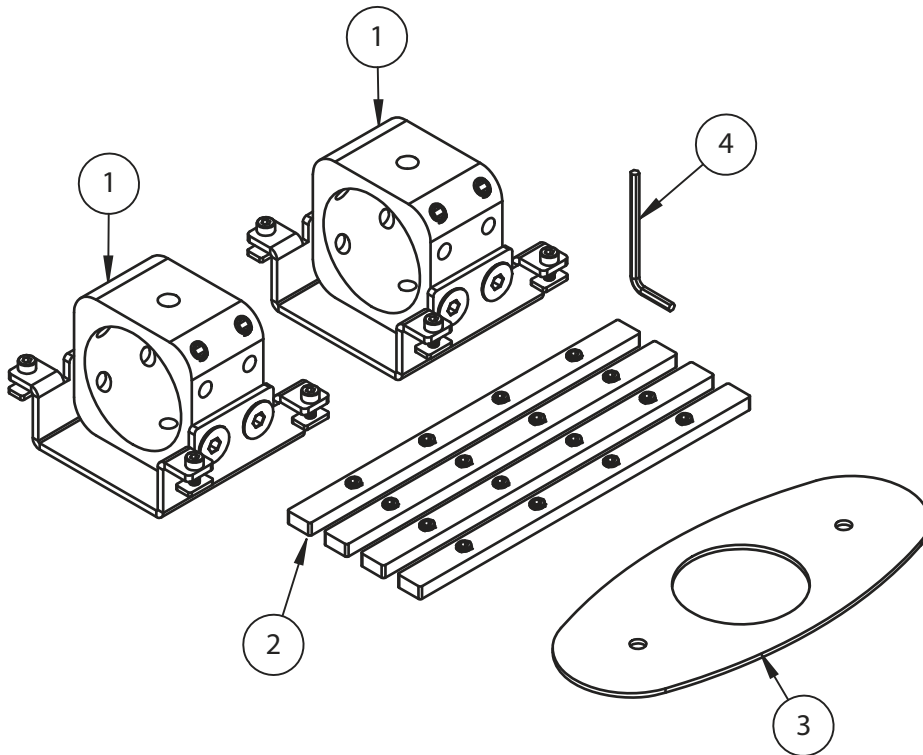
BT8385-FTC

FLOOR-TO-CEILING MOUNTING KIT

USE WITH A BT8385 COLUMN



PARTS LIST



ITEM	DESCRIPTION	QTY
1	COLLAR	2
2	EXTENSION BAR	4
3	END CAP	1
4	HEX KEY	1

INSTALLATION SAFETY INSTRUCTIONS



CAUTION: This product is intended for use only with the maximum weights indicated. Use with equipment heavier than the maximum indicated may result in instability causing possible injury.

B-Tech AV Mounts, it's distributors and dealers are not responsible for damage or injury caused by improper installation, improper use, modifications, installations over the specified weight capacity and/or failure to observe these safety instructions. In such cases, any warranty will expire.

It is recommended that this product should only be installed by a qualified professional / installer.

B-Tech AV Mounts does not claim any liability for any difficulties that may arise from the interpretation contained in these instructions. Failure to mount this product correctly may lead to serious injury and/or death.

Please check carefully to make sure there are no missing or defective parts - defective parts must never be used.

In the event of missing and/or defective parts, or technical questions, please contact an authorised dealer.

Pay careful attention to where this product is located, some locations are not suitable for installation. For indoor use only.

It is recommended that periodic inspections of the product are made as frequently as possible to ensure that safety is maintained.

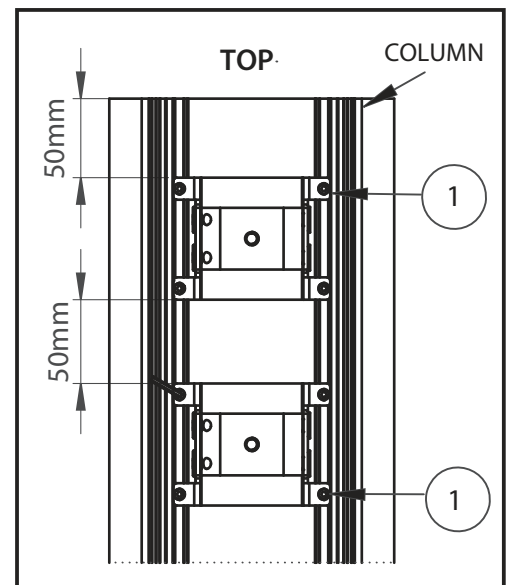
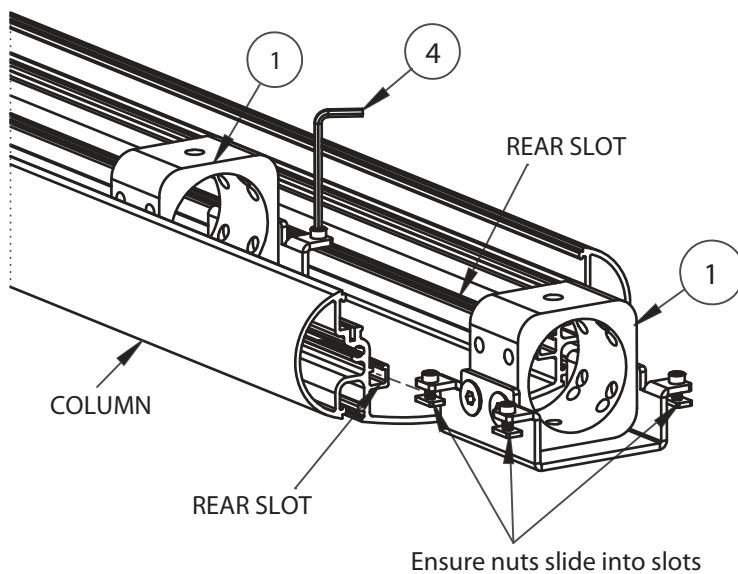
Please keep these instructions for future reference.

INSTALLATION INSTRUCTIONS

1. INSERT COLLARS TO TOP OF COLUMN

Insert both *items C1* into the rear slots of the column (**Note:** Ensure nuts slide into the slots).

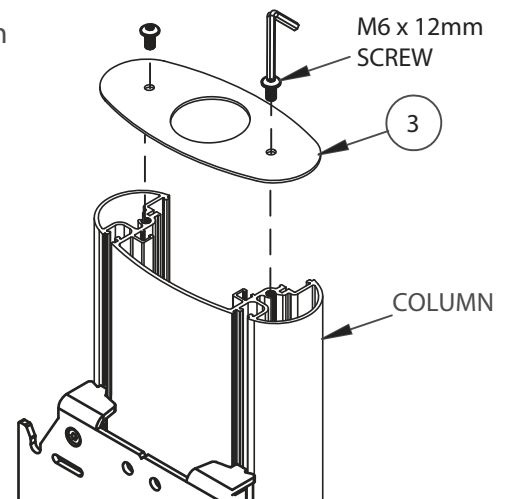
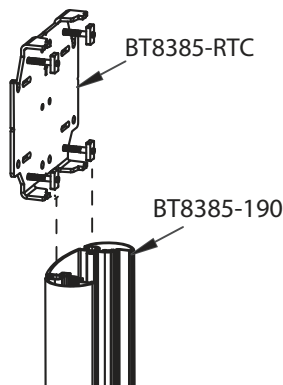
Set *item C1* 50mm apart and from the top of the column.



2. FIX END CAP TO COLUMN

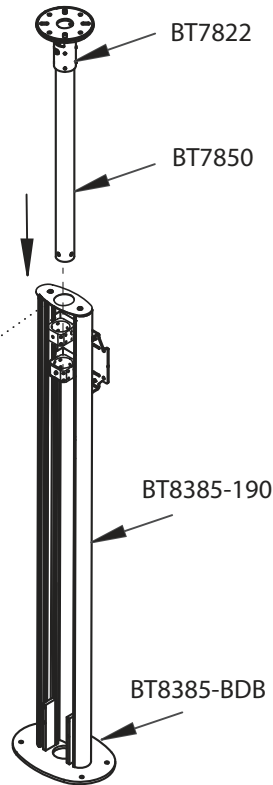
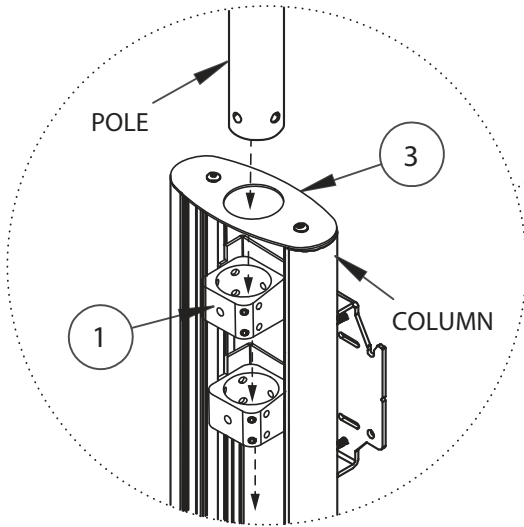
Attach *item 3* to the top of the column using the M6 x 12mm screws supplied with the column (BT8385-190).

Note: Insert Rail Mounting Plate (BT8385-RTC) to Column (BT8385-190) before attaching End Cap.

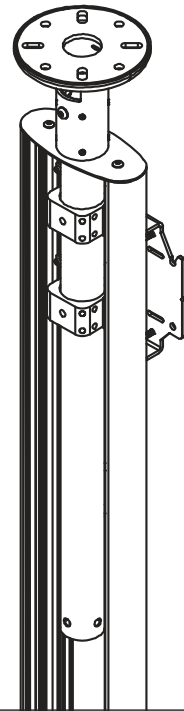


3. INSERT POLE INTO COLUMN

Insert the Ø50mm pole into the column through *items 1 & 3*.

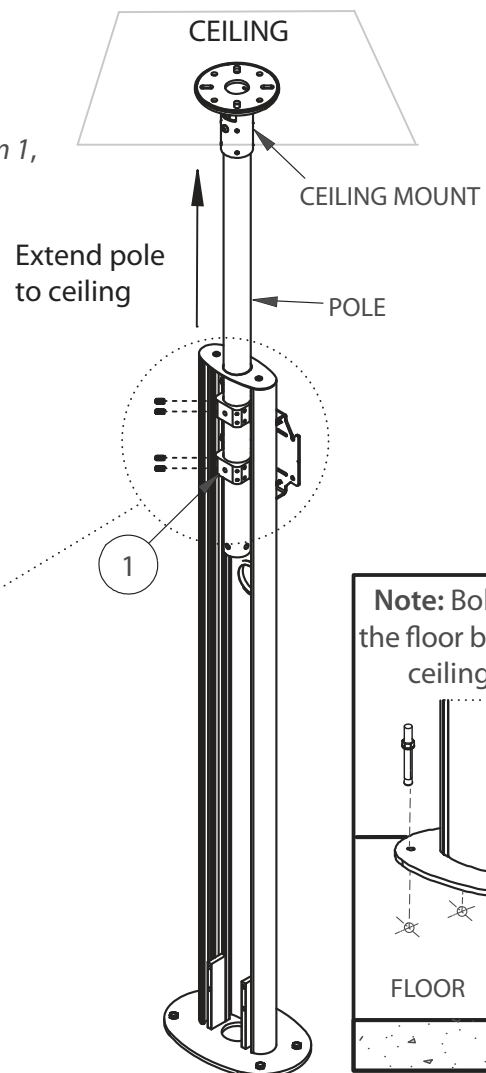
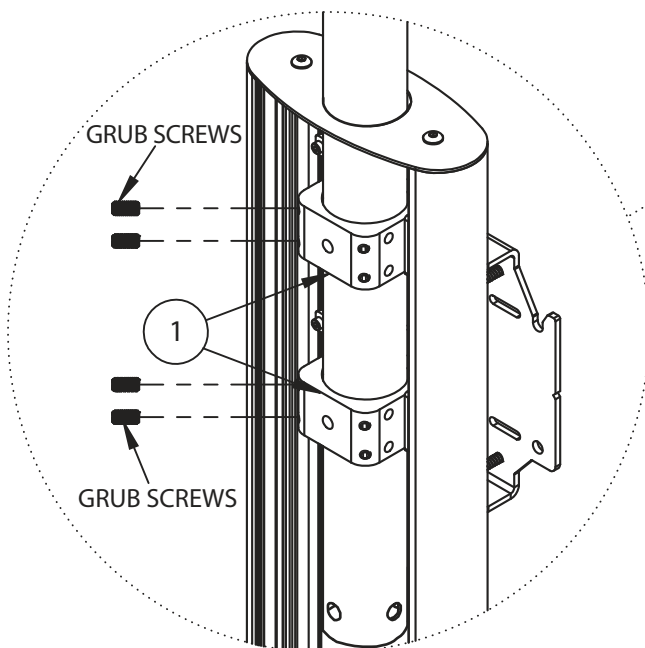


Pole inserted into column
Note: Keep loose, do not fix.

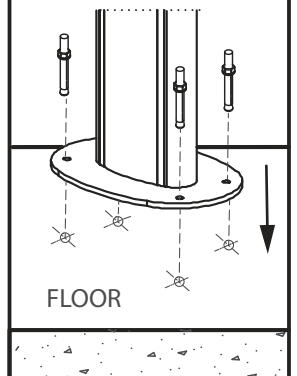


4. FIX TO STAND TO FLOOR & CEILING

Bolt the base to the ground and then extend the pole and ceiling mount to the ceiling. Secure pole in place using the grub screws on *item 1*, then fix the ceiling plate to the ceiling.



Note: Bolt stand to the floor before fixing ceiling mount



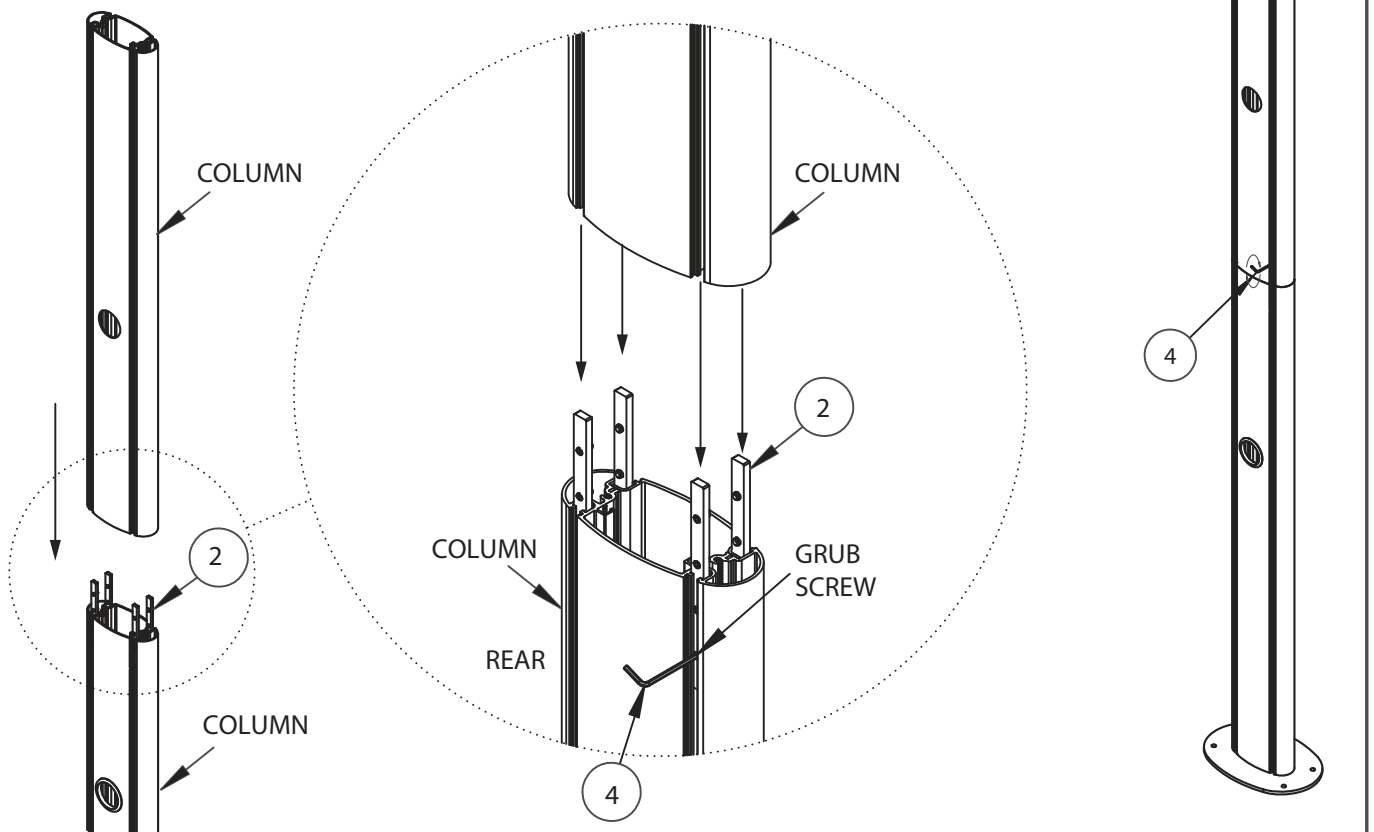
BT8385-FTC

FLOOR-TO-CEILING MOUNTING KIT

OPTIONAL EXTENDING THE COLUMNS

COMBINING COLUMNS

- Fix 4 x *item 2* into the top of a column, tighten the bottom 2 grub screws on each *item 2*.
- Slide another column on top, attaching to *item 2* and tighten the remaining grub screws on *item 2*.



CONTACT:
info@btechavmounts.com

©2020 B-Tech International Design & Manufacturing Ltd. All rights reserved.
 B-Tech AV Mounts is a division of B-Tech International Design & Manufacturing Ltd.
 B-Tech AV Mounts, the B-Tech logo and Mode-AL are registered trade marks.
 All other brands and product names are trademarks of their respective owners.
 Photographs are for illustrative purposes only. E&OE.

AMA-BT8385-FTC-V1-0520-110 MADE IN VIETNAM

