

MODE-AL  
COMPONENT  
RANGE

# BTW75-4

## BRAKED CASTORS



Designed to add mobility to Mode-AL stands, BTW75-4 Castors screw directly into BT8385-SXB and BT8385-TXB Bases feature non-marking rubber wheels that won't damage floors when stationary or whilst being moved. Supplied in packs of 4, the castors come with an easy to use brake pedal that keeps installations firmly in place when needed but allows quick and simple repositioning as required.

### SPECIFICATION

Diameter	75mm
Load capacity	80kg
Castors supplied per pack	4
Colour	Black

### FEATURES

- Non-marking locking / braked castors for use with **BT8385-TXV** and **BT8385-SXB** Mode-AL bases
- Ø75mm (3") polyurethane wheel
- Non-marking hospital standard braked castor
- Supplied as a pack of 4



Designed for use with Mode-AL  
BT8385-TXB and BT8385-SXB bases



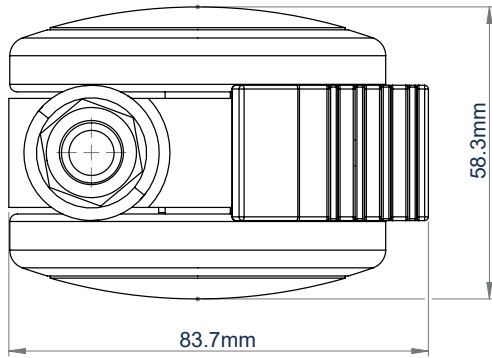
Ø75mm (3") polyurethane wheel



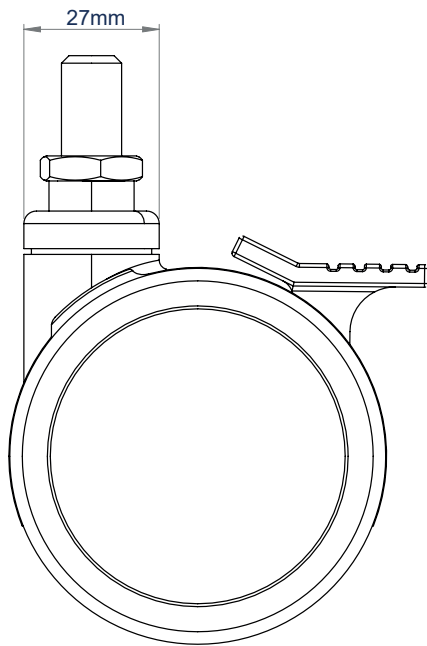
Non-marking hospital standard  
braked castor



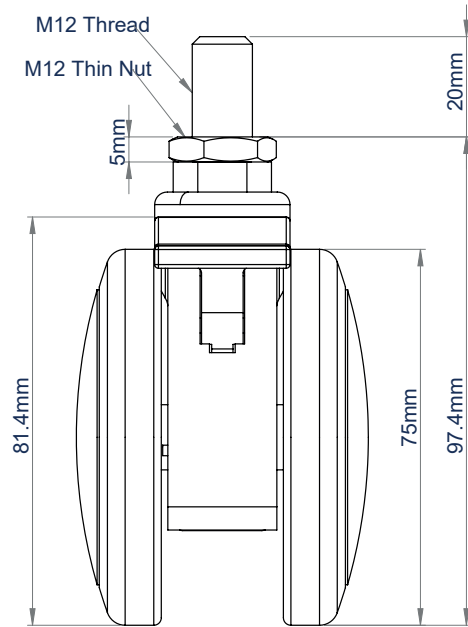
Supplied as a pack of 4



TOP VIEW



SIDE VIEW



FRONT VIEW

PACKING INFORMATION

Colour:	Order Ref:	EAN Code:	PCS (QTY):
Black	BTW75-4	5019318304187	4

ACCESSORIES and RELATED PRODUCTS



**BT8385-SXB**  
Single Column Base  
For use with a single **BT8385** Vertical Column



**BT8385-TXB**  
Twin Column Base  
For use with two **BT8385** Vertical Columns



**BT8385-130 / 190**  
Vertical Columns  
Available in Silver or Black



**BT8385-RTC**  
Column Mounting Bracket  
For use with a **BT8385** Vertical Column

© 2015 B-Tech Av Mounts of B-Tech Av Mounts Ltd. All rights reserved.  
 The information in this specification is intended to describe the general characteristics of the product. It is not intended to be used as a substitute for the manufacturer's instructions. B-Tech Av Mounts Ltd. is not responsible for any damage or loss of data caused by the use of this product. B-Tech Av Mounts Ltd. is not responsible for any damage or loss of data caused by the use of this product. B-Tech Av Mounts Ltd. is not responsible for any damage or loss of data caused by the use of this product.

SS-BTW75-4-V2-210421