

# BT7027

## TILTING ADAPTOR PLATES FOR Ø50MM POLES

Designed to pole mount interface plates at an angle the, BT7027 features easy tilt adjustment of up to 90° and is suitable for screens up to 50kg. Use in conjunction with BT7051/BT7052 collars and BT7850 Ø50mm poles to create low level stands/trolleys with the ability to tilt and set the screen at a suitable angle.

### SPECIFICATIONS

Recommended screen size	up to <b>70"</b>
Max load	<b>50kg</b>
Tilt adjustment	<b>0°, 22.5°, 45°, 67.5° &amp; 90°</b>
Colour	<b>Black</b>



### FEATURES

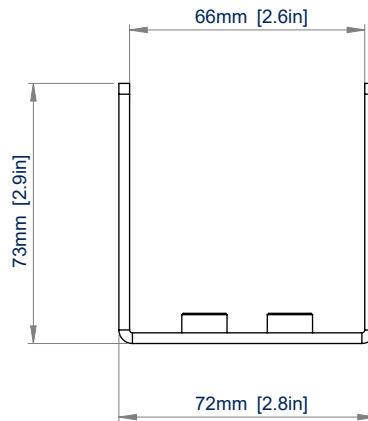
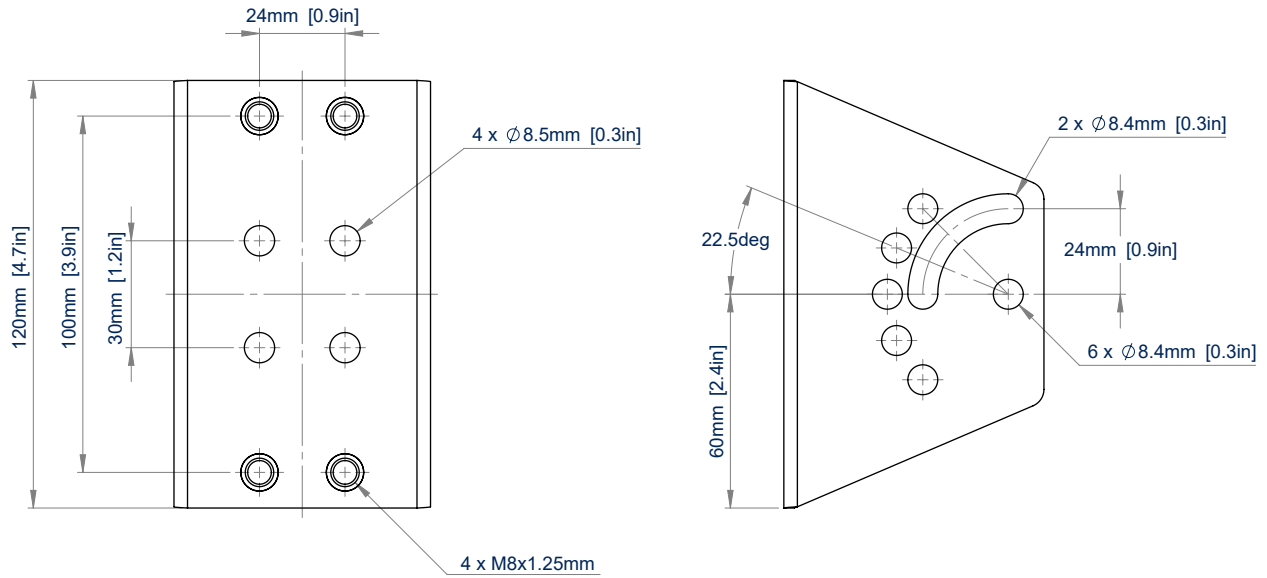
- 1 Secures to floor poles BT4107, BT4116, BT4118 using BT7051 / BT7052 collars
  - 2 Easy tilt adjustment allows interface to be positioned at various angles
  - 3 Compatible with collar compatible mounting plates & System X rails
  - 4 Ideal for creating information points in retail or museum exhibitions
- All mounting hardware included



MAX LOAD <b>50kg</b>	COLLAR COMPATIBLE 	TILT 	
-------------------------	-----------------------	----------	--



# BT7027



## ORDERING INFORMATION

COLOUR	ORDER REF	EAN
Black	BT7027/B	5019318306068

## RELATED PRODUCTS

PRODUCT CODE	NAME	DESCRIPTION
BT7051/BT7052	Accessory Collar	For mounting B-Tech products to Ø50mm Poles
BT4107	Ø50mm Floor Stand Pole	For use with B-Tech's range of floor bases, to suit a variety of solutions
BT8540	Low Level Flat Screen Trolley	Designed to mount screens and interactive displays at a low level
BT8541	Low Level Flat Screen Trolley	Designed to mount screens and interactive displays at a low level

© 2014 B-Tech AV Mounts Corporation Ltd. All rights reserved.  
 B-Tech AV Mounts Corporation Ltd. is a registered trademark of B-Tech AV Mounts Corporation Ltd.  
 All other brands and products are trademarks of their respective owners. All B-Tech images and symbols are the property of B-Tech AV Mounts Corporation Ltd.  
 Specification sheet is a fully published, unclassified, written permission has been granted by B-Tech AV Mounts Corporation Ltd (B-Tech).  
 55-V5-BT7027-130324