

IDEAL FOR  
CCTV  
INSTALLS

# BT5909

## DOME SECURITY CAMERA MOUNT FOR Ø38MM POLES

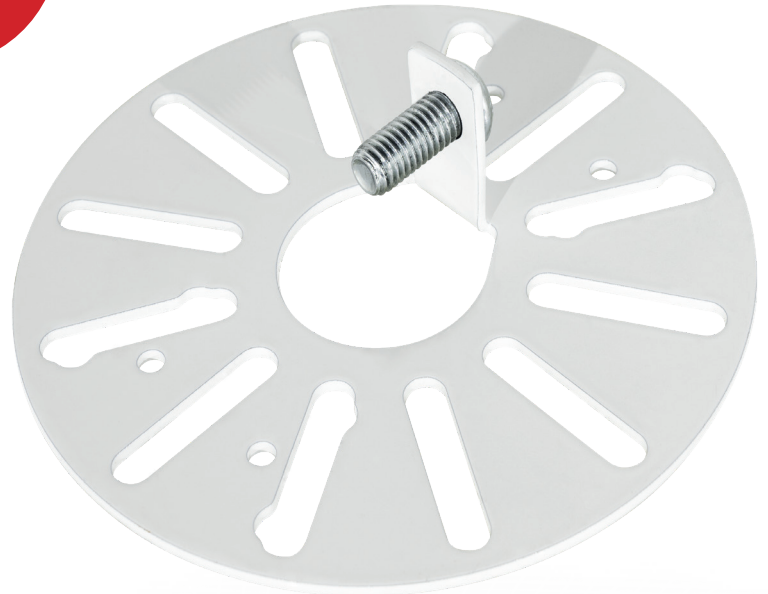
The BT5909 is a CCTV dome camera mount from B-Tech's System V Range; a collection of components designed for the installation of CCTV and other ceiling mounted equipment. Designed for use with BT5935 ø38mm poles, the mount can support small sized dome camera up to 5kg and when used with other parts from the System V Range, allows professionals to customise their ceiling mounted security solutions to their specific requirement.

### SPECIFICATION

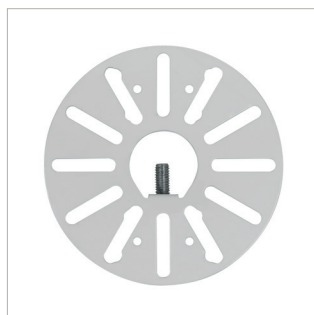
|                           |             |
|---------------------------|-------------|
| Maximum load              | 5kg         |
| Camera fixings dimensions | 51mm - 90mm |
| Camera plate diameter     | 120mm       |
| Colour                    | White       |

### FEATURES

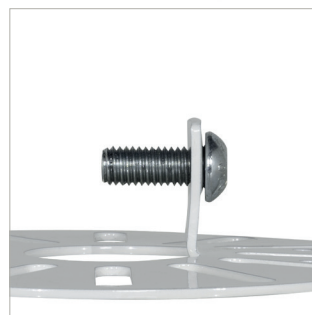
- Mount a small sized dome camera to the end of a BT5935 ø38mm pole
- Carousel suitable for cameras with fixings from 51mm to 90mm apart
- Safety bolt ensures pole and camera mount are securely joined
- Integrated cable management allows cables to pass through the centre of the mount
- Create a variety of ceiling mounted CCTV installs using System V's range of components



Attaches directly to **BT5935** ø38mm poles



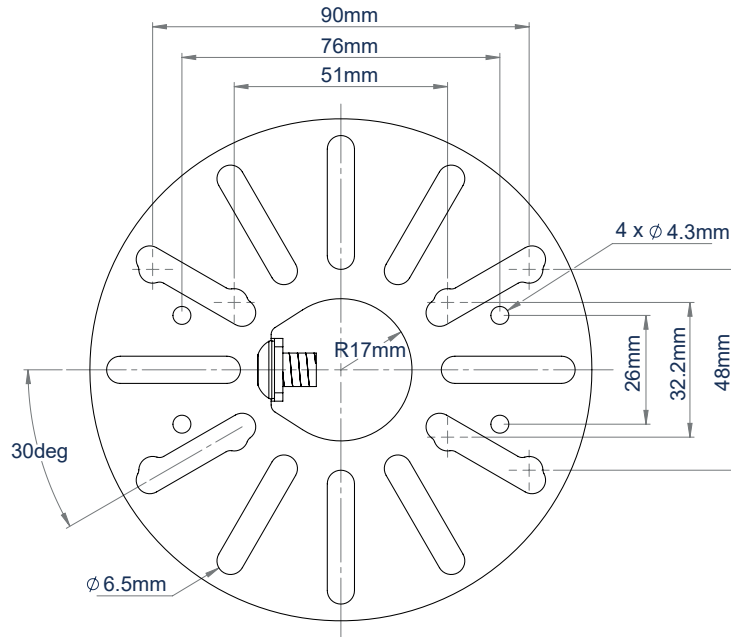
Multiple mounting points for small domed CCTV security cameras



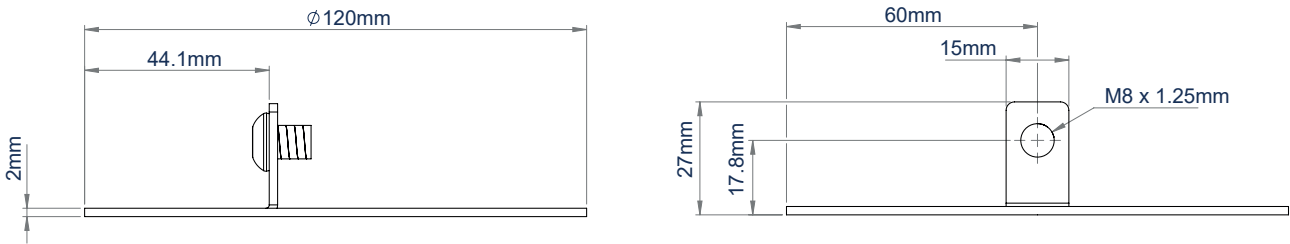
Safety bolt ensures pole and camera mount are securely joined



Complete off-the-shelf kits also available (image shows BT5960-FD100)



TOP VIEW



SIDE VIEW

PACKING INFORMATION

| COLOUR: | ORDER REF: | EAN CODE:     | MASTER CARTON QTY: | MASTER CARTON WEIGHT: | MASTER CARTON CUBE: |
|---------|------------|---------------|--------------------|-----------------------|---------------------|
| White   | BT5909/W   | 5019318305948 | 16                 | 4.8kg                 | 0.012cbm            |

RELATED PRODUCTS

|                      |                      |                      |                            |
|----------------------|----------------------|----------------------|----------------------------|
| <p><b>BT5935</b></p> | <p><b>BT5920</b></p> | <p><b>BT5910</b></p> | <p><b>BT5960-FD100</b></p> |
|----------------------|----------------------|----------------------|----------------------------|

**38mm Diameter Poles**  
Available in 1 metre or 2 metre lengths

**Fixed Ceiling Mount**  
Mounts BT5935 ø38mm poles to the ceiling

**Dome Security Camera Mount**  
Carousel mount for small to medium dome cameras

**CCTV Ceiling Mount for Dome Surveillance Cameras**  
Off-the-shelf kit

© 2015 B-Tech Professional Design & Manufacturing Ltd. All rights reserved.  
We warrant that the information on this page is true and correct as of the date of printing.  
We reserve the right to change the technical or physical specifications without prior notice. This is not intended to constitute a contract.  
B-Tech Professional Design & Manufacturing Ltd. is not responsible for any damage, loss or injury caused by improper or misuse of the product. Any reproduction or transmission of any part of this specification is strictly prohibited unless prior written permission has been granted by B-Tech Professional Design & Manufacturing Ltd. (B-Tech).

SS-V1-BT5909-W-161121-EN