

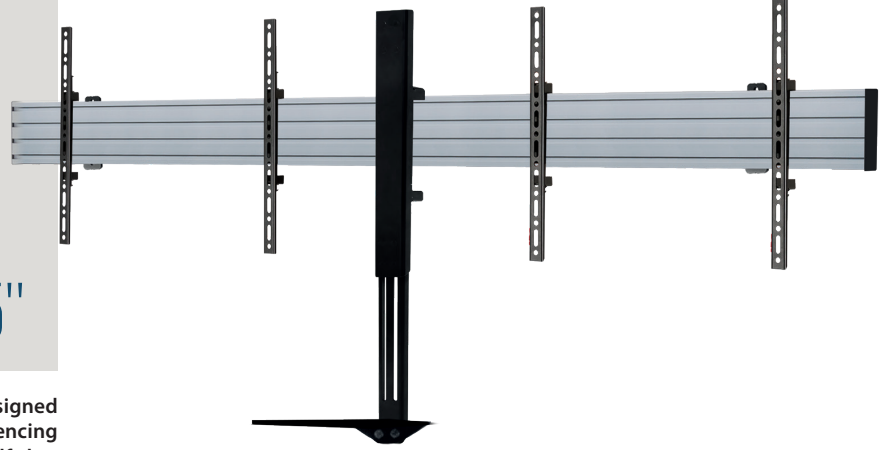


**INCLUDES
 ADJUSTABLE
 VC SHELF**

BT8415

TWIN SCREEN VC WALL MOUNT

FOR SCREENS UP TO 55"



BT8415 is a premium wall mounting solution designed to mount two screens side by side for video conferencing applications. The mount features an adjustable VC shelf that gives the user the flexibility of mounting a VC camera above or below the screens. Additional features include adjustable levelling screws for easy height adjustment of the screen once mounted, cable management clips and safety screws that help to prevent un-authorised removal of the screen.

SPECIFICATION

Recommended screen size	39" - 55"
Max load	70kg per screen
VESA® and non-VESA fixings	up to 600 x 400mm
Dimensions W:1754mm H: Min:445mm Max:842mm D:290mm	
Dimensions (VC Shelf)	W:120mm H:3mm D:235mm
Colour (Mounting Rail)	Silver or Black

FEATURES

- Universal design suitable for mounting two screens side by side
- High-end aesthetic quality
- Includes VC shelf which can be fixed above or below the screen
- VC shelf fits most cameras with 1/4" thread with 100 x 100mm fixing points
- Interface arms include levelling screws to adjust the screen height
- Cable management clips are included to hide cables
- Safety screws help prevent unauthorised screen removal
- Simple 'hook-on' screen installation with all mounting hardware included



55" 140cm
 VESA 600 x 400
 70KG
 PER SCREEN



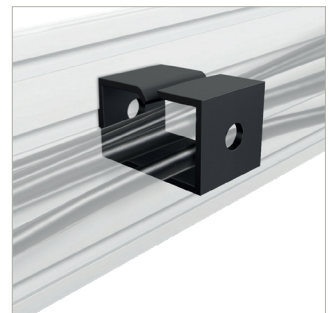
Includes VC camera shelf that can be fitted above or below the screens.



Interface arms include levelling screws to adjust the height of the screen.



Safety screws help prevent unauthorised removal of screens.



Cable management clips are included to hide cables.