



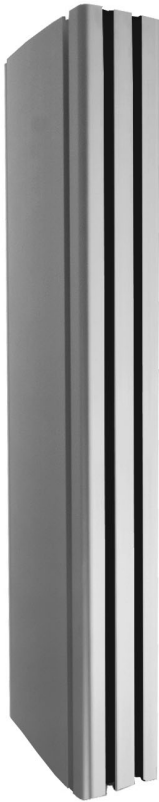
# BT8380-060

SYSTEM X™

## VERTICAL COLUMN: 0.6M PARTS LIST

This pack contains 1 Column

PLEASE KEEP THIS FOR FUTURE REFERENCE



### FEATURES

- Column height: 0.6m
- Includes connector bars to join columns
- Compatible with System X floor bases
- Supplied with plastic slot inserts and cable covers
- Integrated cable management

Registered Community Design N°: 002741256-0015

### INSTALLATION TOOLS REQUIRED

10mm Spanner



3mm Hex Key  
*(supplied)*



### B-TECH AV MOUNTS

HEAD OFFICE

**B-Tech International Limited**

Bennett House, Long March, Daventry, Northants., NN11 4NR, UK

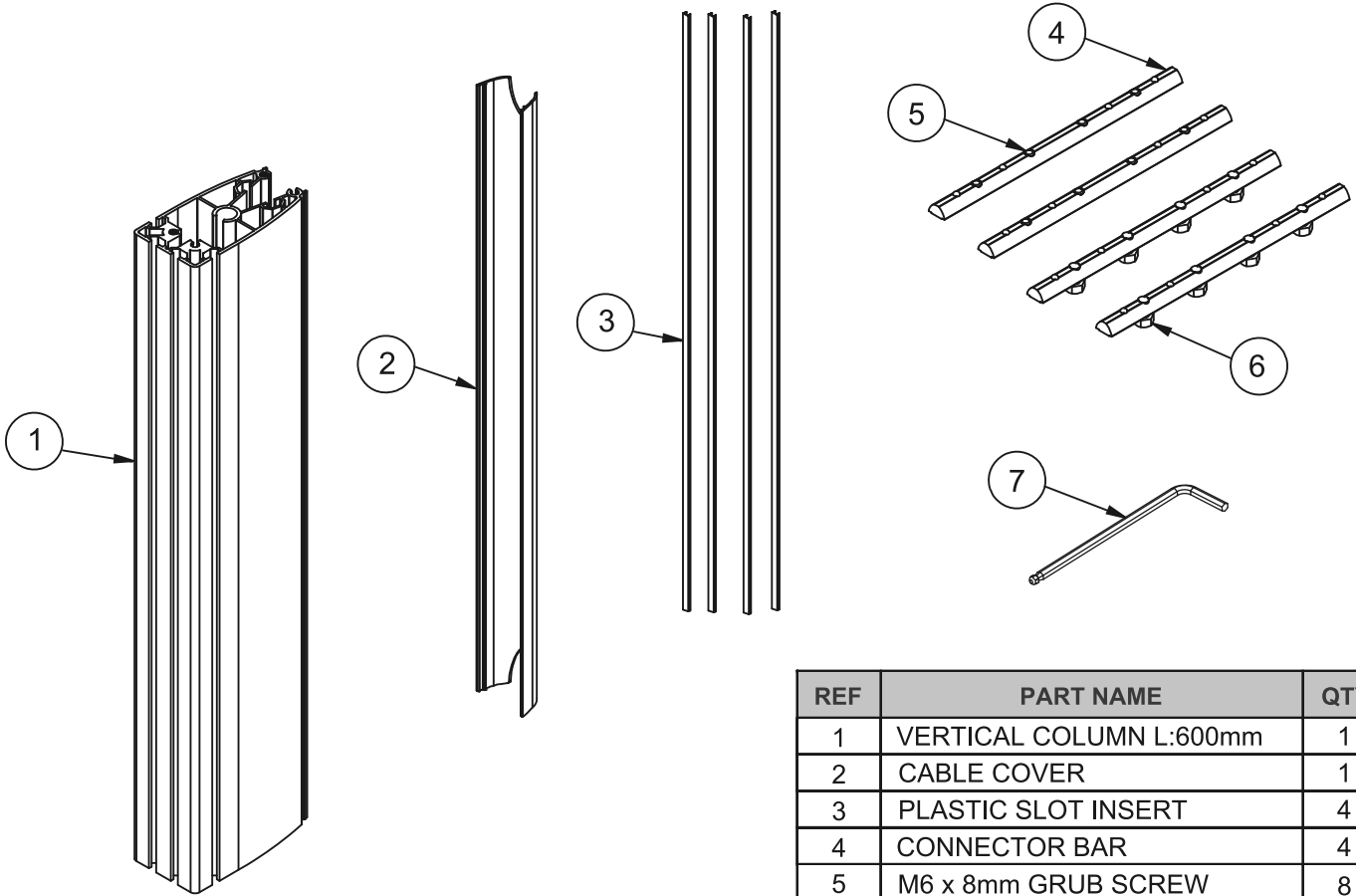
Email: [info@btechavmounts.com](mailto:info@btechavmounts.com)

©2017 B-Tech International Design and Manufacturing Limited. All rights reserved. B-Tech AV Mounts is a division of B-Tech International Design & Manufacturing Ltd. B-Tech, Better By Design and System X are registered trademarks of B-Tech International Design & Manufacturing Ltd. All other brands and product names are trademarks of their respective owners. Photographs are for illustrative purposes only EO&E. B-Tech International Design & Manufacturing Ltd, its distributors and dealers are not responsible for damage or injury caused by improper installation, improper use, modifications, installations over the specified weight capacity and/or failure to observe these safety instructions. In such cases, any warranty will expire. It is recommended that this product should only be installed by a qualified professional / installer. For indoor use only. B-Tech does not claim any liability for any difficulties that may arise from the interpretation contained in these instructions. Failure to install this product correctly may lead to serious injury and/or death. Please check carefully to make sure there are no missing or defective parts - defective parts must never be used. In the event of missing and/or defective parts, or technical questions, please contact an authorised dealer.

[www.btechavmounts.com](http://www.btechavmounts.com)

AMA-BT8380-060-V1.1-PROBX-1018-104 MADE IN VIETNAM

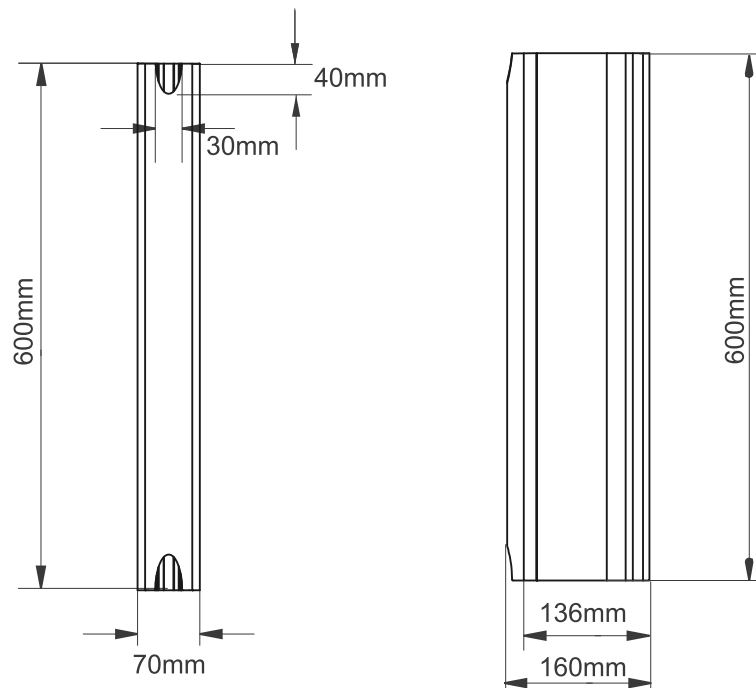
**BT8380-060  
PARTS LIST**



REF	PART NAME	QTY
1	VERTICAL COLUMN L:600mm	1
2	CABLE COVER	1
3	PLASTIC SLOT INSERT	4
4	CONNECTOR BAR	4
5	M6 x 8mm GRUB SCREW	8
6	M6 x 10mm HEX BOLT	8
7	3AF HEX KEY	1

Designed to work in conjunction with B-Tech's System X range

**PRODUCT DIMENSIONS**



THESE DIMENSIONS ARE INTENDED AS A GUIDE ONLY AND B-TECH ACCEPTS NO LIABILITY FOR THE ACCURACY OF THE INFORMATION

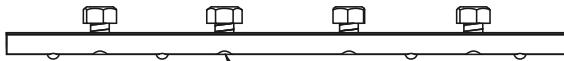
# INSTALLATION INSTRUCTIONS

## Joining Columns

1

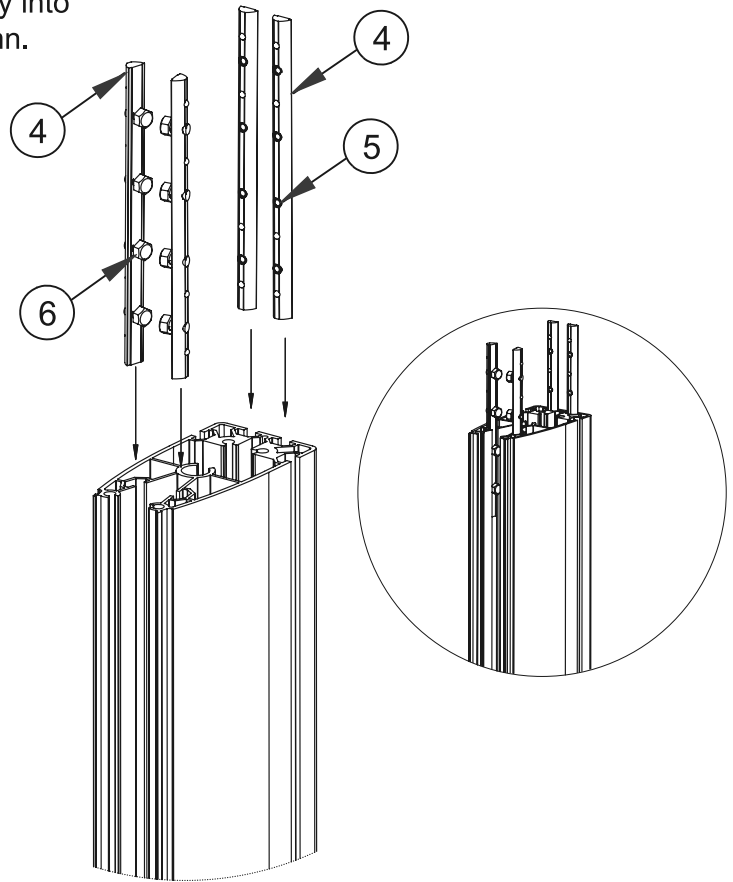
Insert the connector bars (part 4) halfway into the non-threaded end of the lower column.

The two connector bars with grub screws (part 5) go in the front of the column and the 2 connector bars with hex bolts (part 6) go in the back.



Hex Bolts (part 6) to be flush with the surface

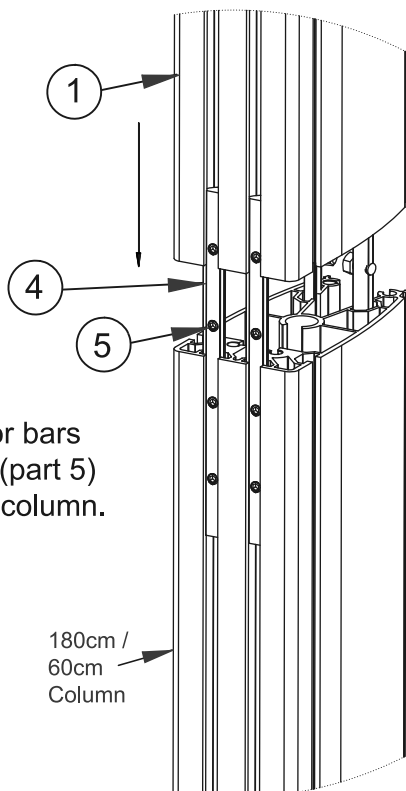
**IMPORTANT:** Connector bars should be inserted into the non-threaded end of the column.



2

Join the columns together by sliding the 60cm column (part 1) onto the connector bars (part 4).

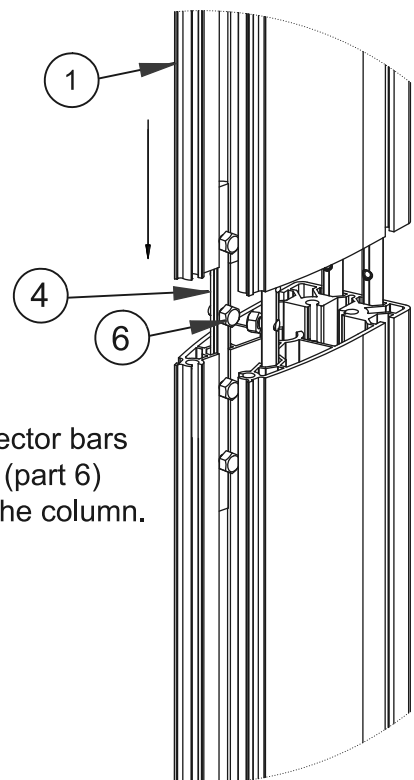
Front of Column



The two connector bars with grub screws (part 5) in the front of the column.

180cm /  
60cm  
Column

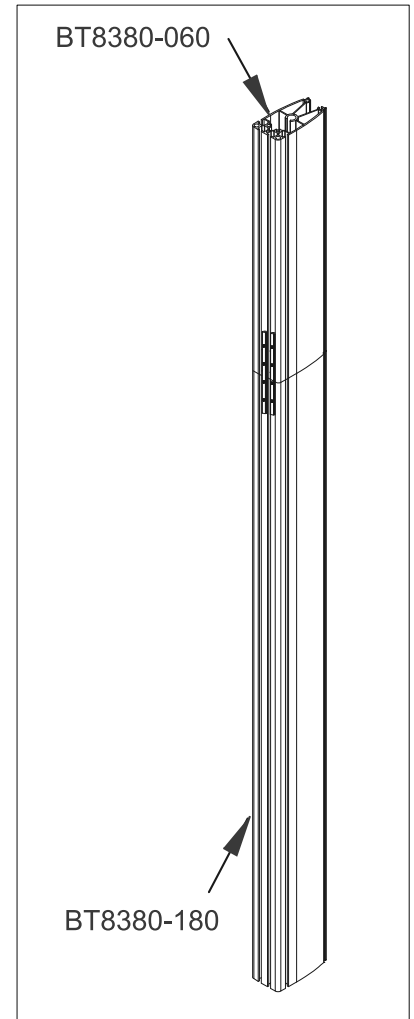
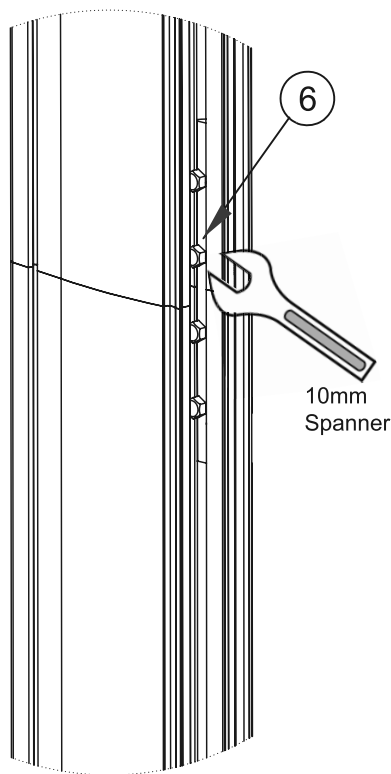
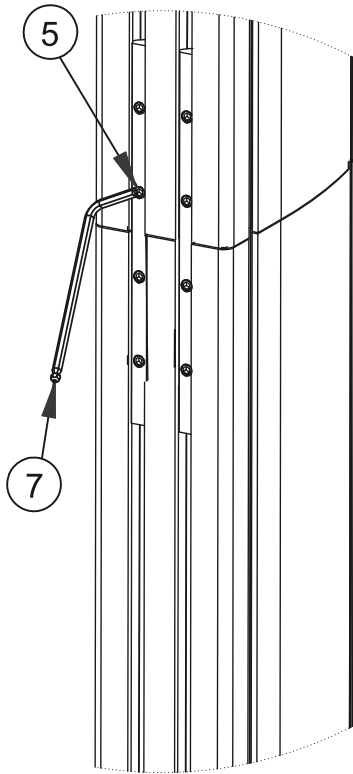
Back of Column



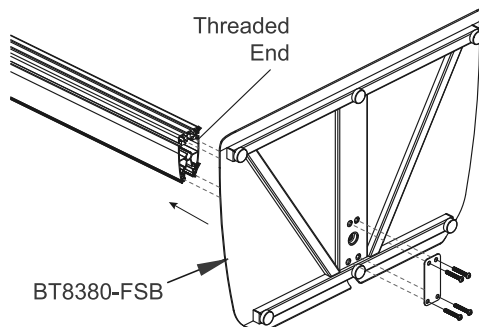
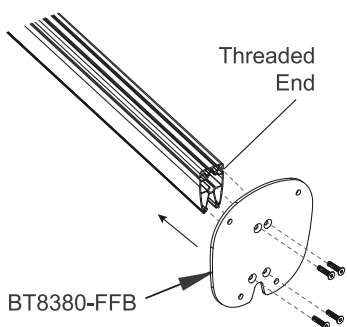
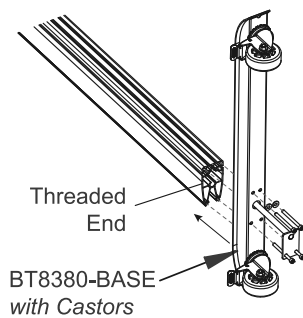
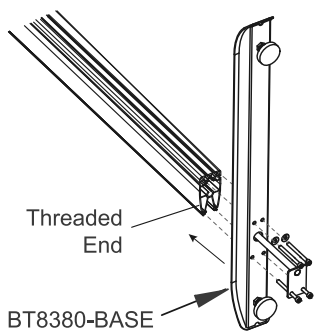
The two connector bars with hex bolts (part 6) in the rear of the column.

3

Tighten all grub screws (part 5) on the front of the column using the hex key (part 7).  
On rear of column tighten hex bolts (part 6) by hand.  
Finish tightening using a 10mm spanner.



**Add a System X base to the threaded end of the column**



4

Add cable cover (part 2) and plastic slot inserts (part 3) after installation is complete.

