



BT8448

UNIVERSAL EXTRA-LARGE FLAT SCREEN CEILING MOUNT

FOUR
CEILING DROP
LENGTHS
AVAILABLE

Designed to ceiling mount screens up to 120", the BT8448 is an extra-large ceiling mount which is available with a choice of four different drop lengths; 1m, 1.5m, 2m and 3m. The twin pole design and heavy duty steel provides strength and rigidity, allowing for a maximum load of up to 130kg. Other features include post installation screen alignment and height adjustment screws to level the screen once mounted. Available with a choice of black or chrome poles.

SPECIFICATION

Recommended screen size	65" - 120"
Max load	130kg
VESA® & non-VESA fixings	up to 1000 x 600mm
Ceiling drop	980mm, 1480mm, 1980mm or 2980mm*
Colour option (Ø50mm poles)	Black, White or Chrome
Colour option (ceiling plate)	Black or White

*From the ceiling to the centre of the mount.

FEATURES

- Twin pole mount suitable for screens 65" and over
- Heavy duty steel capable of supporting very heavy loads
- Lateral adjustment of screen once mounted
- Integrated cable management for a neat and tidy installation
- Adjustment screws allow screen to be levelled once mounted
- Simple 'hook-on' installation



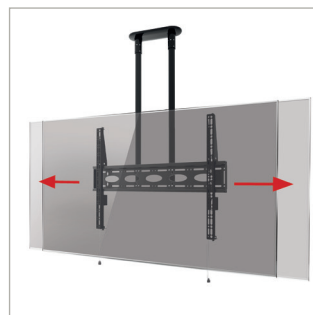
Available in 4 pole lengths**

BT8448-100	1m Pole
BT8448-150	1.5m Pole
BT8448-200	2m Pole
BT8448-300	3m Pole

** White poles only available in 1m & 1.5m lengths



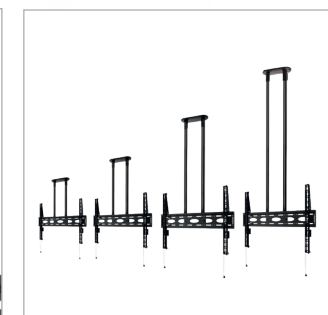
Integrated cable management for a neat and tidy installation



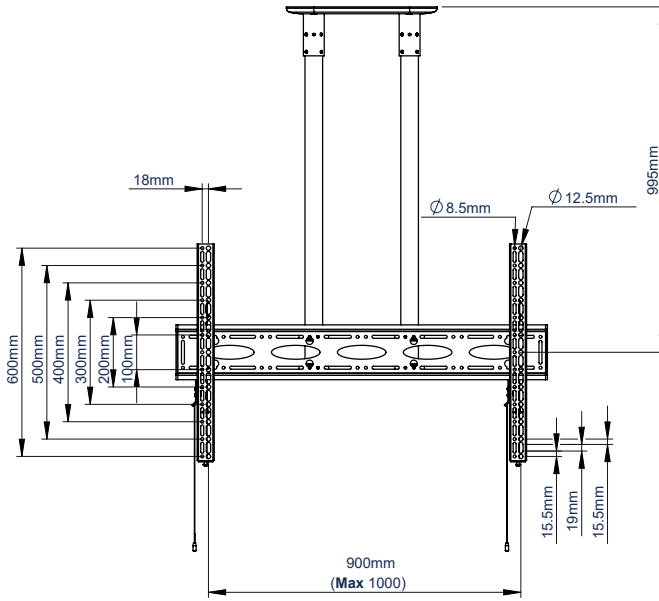
Post installation screen alignment for perfect positioning every time



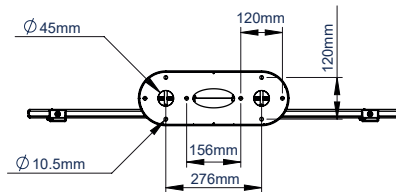
Adjustment screws allow screen to be levelled once mounted



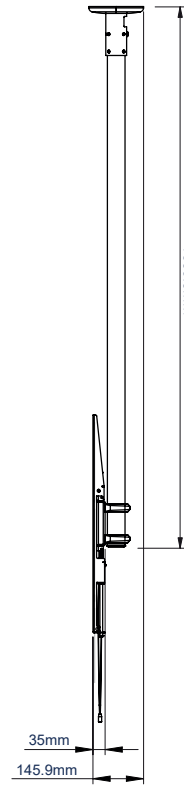
Available with a choice of four pole lengths: 1m, 1.5m, 2m & 3m



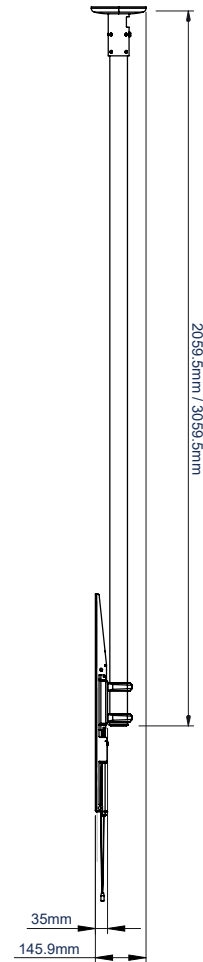
FRONT VIEW



CEILING PLATE



SIDE VIEW
BT8448-150



SIDE VIEW
BT8448-200

PACKING INFORMATION

PLEASE NOTE, THIS IS A 2 BOX ITEM.

COLOUR:	ORDER REF:	EAN CODE:	MASTER CARTON QTY:	INNER CARTON QTY:	MASTER CARTON WEIGHT:	MASTER CARTON CUBE:
Black with Black Poles	BT8448-100/BB	5019318087479	1 / 1	0 / 0	15.35kg / 3.86kg	0.05 / 0.01 cbm
Black with Chrome Poles	BT8448-100/BC	5019318087486	1 / 1	0 / 0	15.35kg / 3.86kg	0.05 / 0.01 cbm
Black with White Poles	BT8448-100/W	5019318302299	1 / 1	0 / 0	15.35kg / 3.86kg	0.05 / 0.01 cbm
Black with Black Poles	BT8448-150/BB	5019318087509	1 / 1	0 / 0	15.35kg / 6.18kg	0.05 / 0.01 cbm
Black with Chrome Poles	BT8448-150/BC	5019318087493	1 / 1	0 / 0	15.35kg / 6.18kg	0.05 / 0.01 cbm
Black with White Poles	BT8448-150/W	5019318302305	1 / 1	0 / 0	15.35kg / 6.18kg	0.05 / 0.01 cbm
Black with Black Poles	BT8448-200/BB	5019318087516	1 / 1	0 / 0	15.35kg / 7.66kg	0.05 / 0.01 cbm
Black with Chrome Poles	BT8448-200/BC	5019318087523	1 / 1	0 / 0	15.35kg / 7.66kg	0.05 / 0.01 cbm
Black with Black Poles	BT8448-300/BB	5019318087837	1 / 1	0 / 0	15.35kg / 11.58kg	0.05 / 0.02 cbm
Black with Chrome Poles	BT8448-300/BC	5019318087844	1 / 1	0 / 0	15.35kg / 11.58kg	0.05 / 0.02 cbm

RELATED PRODUCTS TO THE BT8448



BT8426
Flat Screen Ceiling Mount with Adjustable Drop and Tilt for screens up to 65"



BT8428
Back-to-Back Flat Screen Ceiling Mount with Tilt for two screens up to 65"



BT9903
Extra-Large Flat Screen Wall Mount for screens over 65"



BT8506
Extra-Large Flat Screen Display Trolley for extra-large screens up to 130"

© 2015 B-Tech Av Mounts. All rights reserved. The information in this specification is subject to change without notice. B-Tech Av Mounts and the B-Tech logo are registered trademarks of B-Tech International Design & Manufacturing Pty Ltd. All other trademarks are the property of their respective owners. B-Tech Av Mounts is not responsible for any damage caused by improper or misuse of the product. Any reproduction or transmission or replication of any part of this specification is strictly prohibited, unless prior written permission has been granted by B-Tech International Design & Manufacturing Pty Ltd.

SS-V3-BT8448-100221