



**FOR SCREENS
 UP TO 55"**

BT8572

LARGE FLAT SCREEN SINGLE POLE FLOOR STAND

BT8572 is a stylish display stand designed for use with a medium-large flat screen. The base features non-marking rubber feet, grab handles for easy handling, and a cover plate to hide the grab handles. Suitable for screens with VESA fixings up to 600x400, the screen can be easily mounted at any height on the 1.8 metre pole. Accessories such as shelves can also be added using a Ø50mm collar.

SPECIFICATION

Recommended Screen Size	up to 55"
Max load	40kg
VESA® fixings	up to 600 x 400 (with included adaptors)
Universal fixings up to	up to 455 x 400mm
Dimensions	W: 800 x D: 600 X H: 1826mm

FEATURES

- Universal design suitable to mount screens in a landscape or portrait orientation
- Heavy duty 6mm thick steel construction
- Grab handles allow for easy handling
- Includes cover plate to hide grab handles once installed
- Shelves and other accessories can be fitted to the poles using Ø50mm accessory collars
- Integrated cable management
- All mounting hardware included
- Simple 'hook-on' installation



Supplied with non-marking rubber feet for increased stability



Grab handles allow for easy handling

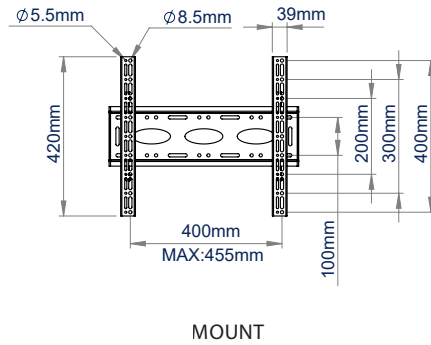
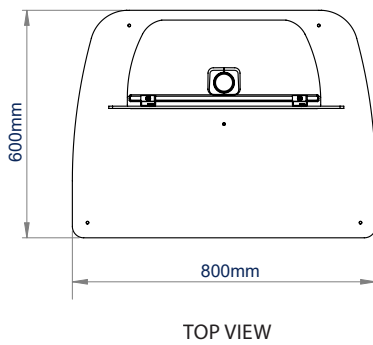
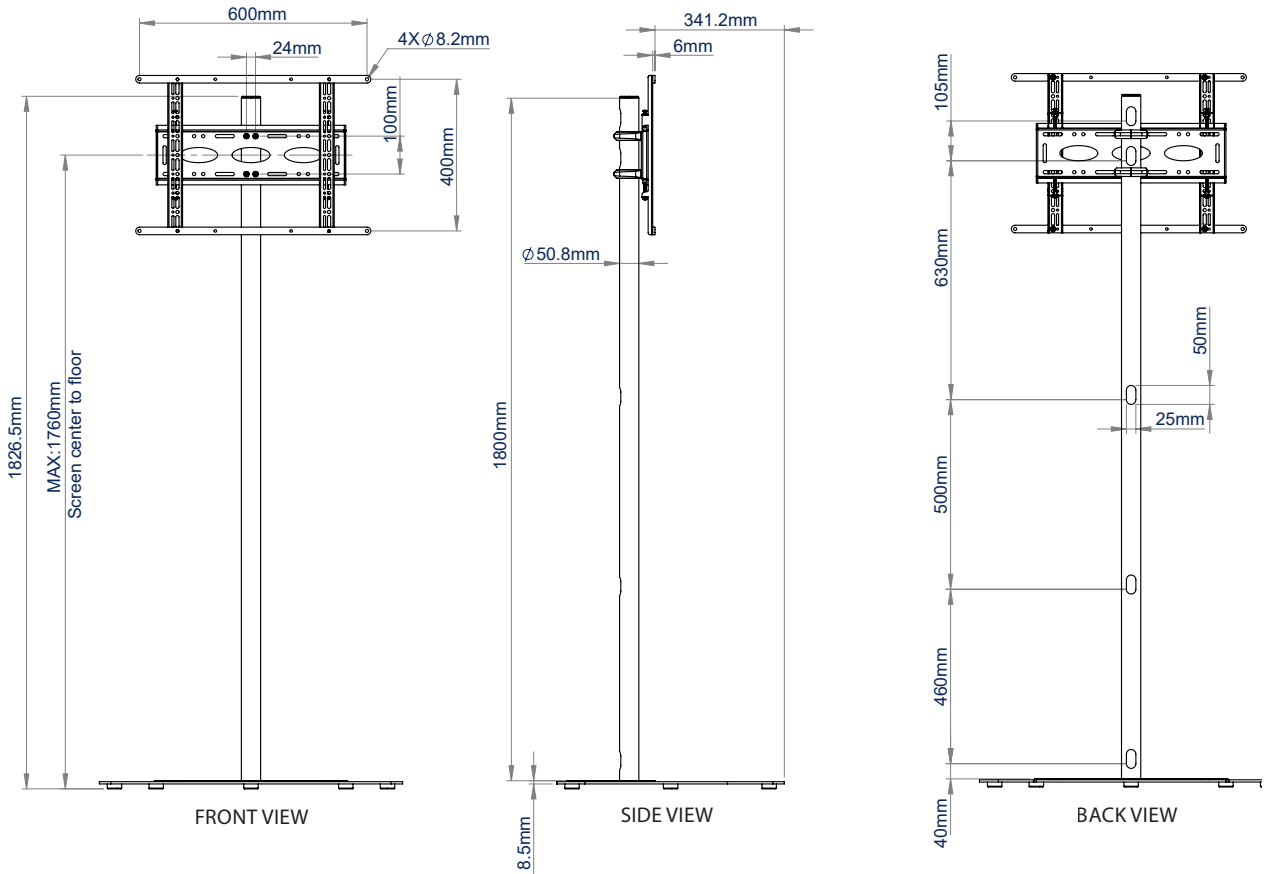


Integrated cable management for tidy install



Includes cover plate to hide grab handles once installed





PACKING INFORMATION

COLOUR:	ORDER REF:	EAN CODE:
Black	BT8572/B	5019318305818

ACCESSORIES AND RELATED PRODUCTS



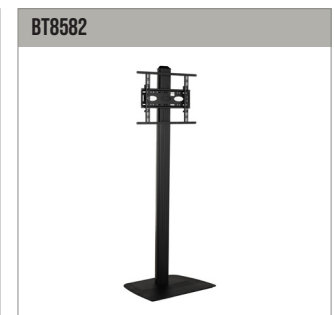
BT7052
Ø50mm Collar designed to attach AV accessory and VC camera shelves to poles



BT7033
300 x 300mm AV Accessory Shelf for mounting to a wall or across a wide range of B-Tech products



BT8571
Floor Stand for small to medium flat screens up to 47" / 25kg



BT8582
Floor Stand for medium to large flat screens up to 55" / 40kg

© 2015 B-Tech Professional Design & Manufacturing. All rights reserved.
 The information in this specification sheet reflects the current technical specifications at the time of print.
 We reserve the right to change the technical or physical specifications without prior notice. This B-Tech Professional Design & Manufacturing Limited
 B-Tech accepts no liability for loss or damage caused by improper or negligent installation, use, repair, maintenance, or replacement of any part of this
 specification sheet or its products, unless prior written permission has been granted by B-Tech Professional Design & Manufacturing Limited. E&OE

SS-VI-BT8572-200921