

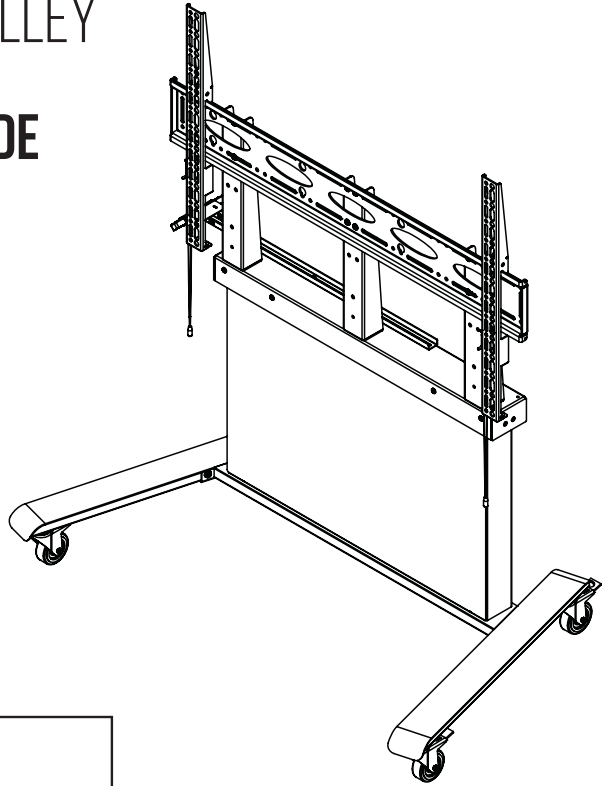


B-TECH AV MOUNTS

BT8568

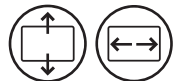
MOTORISED HEIGHT ADJUSTABLE FLAT SCREEN TROLLEY

INSTALLATION GUIDE



SPECIFICATIONS

- Recommended for screens from 55" - 86" (140cm - 218cm)
- Max load: 100kg (220lbs)
- Suitable for displays with VESA® & non-VESA fixings up to 1000 x 600mm
- Motorised height adjustment range: 650mm (27.17")
- Features easy to use control panel and automatic safety stop function
- Includes front cover and cable management for a neat & tidy installation
- Trolley dimensions:
H.1360mm - 2010mm x W.1255mm x D.740mm
(H.53.54" - 79.13" x W.49.41" x D.29.13")



CONTENTS

Installation Safety Notes.....	2
Parts List.....	6
Installation Instructions.....	8
Operating Console System.....	15
Product Dimensions.....	18
B-Tech Contact Details.....	20

INSTALLATION SAFETY INSTRUCTIONS



CAUTION: This trolley is intended for use only with the maximum weights indicated. Use with equipment heavier than the maximum indicated may result in instability causing possible injury.

Do not attempt to install this product until all instructions and warnings have been read and properly understood. *Please keep these instructions for future reference.*

Please check carefully to make sure there are no missing or defective parts - defective parts must never be used.

B-Tech AV Mounts, its distributors and dealers are not liable or responsible for damage or injury caused by improper installation, improper use or failure to observe these safety instructions. In such cases, all guarantees will expire.

General

B-Tech AV Mounts recommends that a professional AV installer or other suitably qualified person install this product. Great care must always be taken during installation as most AV equipment is of a fragile nature, possibly heavy and easily damaged if dropped.

If you do not fully understand the instructions or are not sure how to install this product safely, then please consult a professional for advice and/or to install this product for you. Failure to mount this product correctly may cause serious injury or death both during installation and at any time thereafter.

Do not mount any AV equipment that exceeds the specific weight limit of the product you are installing.

This weight limit will be clearly stated on each product and its packaging and will vary from product to product.

Trolley operation

Warning: The trolley can tip over which may lead to serious injury. Only adults should push this trolley, do not allow children under 16 to move the trolley. Push the trolley on the narrow side, never pull the trolley. Do not push at the top of the trolley, push near the middle. Move the trolley slowly. Always park on level ground, never leave the trolley on an incline. Apply the brakes when the trolley is stationary, release the brakes when pushing the trolley.

Product location

Please pay careful attention to where this product is located, some locations are not suitable for installation.

For indoor use only. Install stand on level ground. When verifying the stability of the structure, consider the following external factors: The strength of the floor, exposure to sudden and severe wind and danger arising from contact with people and / or objects (eg installations in passageways, emergency exits), if located in a public or frequently populated area ensure that the product is out of the immediate reach of people.

Fixing hardware

It is highly recommended that all fixing screws be used where supplied and that the purpose of all other fixing hardware is fully understood. In some cases more AV equipment fixing hardware will be supplied to accommodate different models of equipment and set up configurations.

The installer must be satisfied that any supplied fixing hardware is suitable for each specific installation.

If any fixing screws or included hardware are deemed not sufficient for a safe installation then please consult a professional or your local hardware store.

Hazard limitation

When routing cables take advantage of any built in cable management features that the product might provide and ensure that all cables are tidy and secure. Check to see that any moving aspect of the product can do so unhindered by any cabling. Some products have moving parts and the potential to cause injury through the crushing or trapping of fingers or other body parts. Particular attention to the nature of moving parts is required especially when assembling installing and adjusting during set up. Immediately after installation double-check that the work done is safe and secure. Double-check all necessary fixings are present and are of ample tightness.

It is recommended that periodic inspections of the product and its fixing points are made as frequently as possible to ensure that safety is maintained. If in doubt consult a professional AV installer or other suitably qualified person.

- CN B-Tech AV Mounts 建议本产品由专业AV安装人员或其他合格人员安装。 B-Tech AV Mounts 及它的代理商、经销商不对由于不恰当的安装而造成的损失或伤害负责。 本产品必须安装在合适的架构上，并仅用于不超过所标示的最大承重。
- CS Společnost B-Tech AV Mounts doporučuje provést instalaci tohoto produktu instalátora AV či jinak způsobilé osoby. Společnost B-Tech AV Mounts, její distributoři a prodejci nenesou prostřednictvím odborného odpov. ědnost za škody nebo zranění způsobená nevhodnou instalací. Tento výrobek je nutno umístit do vhodné konstrukce a používat jen po uvedené maximální výšce.
- DE B-Tech AV Mounts empfiehlt, dass dieses Produkt durch einen qualifizierten AV-Techniker oder eine andere Person mit geeigneter Qualifikation installiert wird. B-Tech AV Mounts, ihre Distributoren und Händler können nicht für durch fehlerhafte Montage verursachte Beschädigung oder Verletzung haftbar bzw. verantwortlich gemacht werden. Dieses Produkt muss auf einem geeigneten Untergrund montiert werden und darf nur bis zum angegebenen Höchstgewicht verwendet werden.
- ES B-Tech AV Mounts recomienda que un instalador de audio y video profesional u otra persona debidamente cualificada instalen este producto. B-Tech AV Mounts, sus distribuidores y concesionarios no se hacen cargo ni se responsabilizan de ningún daño o lesión provocados por una instalación inapropiada. Este producto se debe montar en una estructura adecuada y se debe utilizar soportando solamente hasta el peso máximo indicado.
- FR B-Tech AV Mounts recommande de confier l'installation de ce produit à un installateur AV professionnel ou à une autre personne dûment qualifiée. B-Tech AV Mounts, ses distributeurs et ses revendeurs ne sauraient être tenus responsables de tout dégât ou de toute blessure résultant d'une installation incorrecte. Ce produit doit être monté sur un support approprié et utilisé dans la limite du poids maximum indiqué.
- IT B-Tech AV Mounts consiglia di affidare l'installazione di questo prodotto a un installatore specializzato o ad altra persona adeguatamente qualificata. B-Tech AV Mounts, i suoi distributori e rivenditori non accettano alcuna responsabilità nei riguardi di eventuali danni o infortuni causati da un'errata installazione. Questo prodotto deve essere fissato a una struttura idonea e utilizzato unicamente sino al peso massimo indicato.
- JP B-Tech AV Mounts はAV設置の専門家または適合した知識を備えた人が製品を設置することを推奨します。B-Tech AV Mounts と販売店、取引先はこうした安全指針に従わない場合に随伴される製品の損傷や傷害に対する責任を負いません。場合によって製品が設置されるに適していないところもあるので設置位置に特別な注意を傾けてください。この製品の位置に注意を傾けて設置に適していない壁があるかを確認してください。指定した重さ制限を超過するAV装備を装着しないでください。
- KR B-Tech AV Mounts 는 AV 설치 전문가 또는 적합한 지식을 갖춘 사람이 제품을 설치하도록 권장합니다. B-Tech AV Mounts 와 판매점, 거래처는 이러한 안전 지침을 따르지 않을 경우에 수반될 제품의 손상이나 상해에 대한 책임을 지지 않습니다. 경우에 따라 제품이 설치되기에 적합하지 않은 곳들도 있으므로 설치 위치에 특별한 주의 기울여 주시기 바랍니다. 제품의 설치 위치에 주의를 기울여 확인하십시오. 지정된 무게 제한을 초과하는 AV 장비를 장착하지 마십시오.
- NL B-Tech AV Mounts adviseert om dit product te laten installeren door een professionele AV-installateur of andere hiervoor gekwalificeerde persoon. B-Tech AV Mounts, haar distributeurs en dealers zijn niet aansprakelijk of verantwoordelijk voor schade of letsel die is veroorzaakt door onoordeelkundige installatie. Dit product moet worden gemonteerd aan een geschikte constructie, waarbij het aangegeven maximum gewicht niet mag worden overschreden.
- PL Firma B-Tech AV Mounts zaleca, aby ten produkt był instalowany przez profesjonalnych instalatorów AV lub inny odpowiednio przeszkolony personel. Firma B-Tech AV Mounts, jej dystrybutorzy i dealerzy nie ponoszą odpowiedzialności za uszkodzenia lub obrażenia ciała powstałe w wyniku nieprawidłowej instalacji. Niniejszy produkt musi być amontowany na odpowiedniej powierzchni, a podczas użytkowania nie wolno przekraczać podanego maksymalnego obciążenia.
- PT A B-Tech AV Mounts recomenda que a instalação deste produto seja efectuada por um instalador de AV instalador de AV profissional ou outra pessoa devidamente habilitada. A B-Tech AV Mounts e os seus distribuidores e concessionários não são responsáveis por danos ou lesões causados por uma instalação incorrecta. Este produto tem de ser montado numa estrutura adequada e utilizado somente até ao peso máximo indicado.
- RU Компания B-Tech AV Mounts рекомендует, чтобы установка данного изделия производилась инженером по установке аудио-видеотехники или другим специалистом с соответствующей квалификацией. Компания B-Tech AV Mounts ее дистрибьюторы и дилеры не несут ответственности за повреждения или травмы, полученные в результате неправильной установки.
- توصي بي-تك للتجارة الدولية المحدودة بأن شخص محترف في تركيب ال AV أو شخص مؤهل تأهيلا مناسباً لتركيب هذا المنتج. بي-تك للتجارة الدولية، موزعيها والتجار ليست عرضة أو مسؤولة عن الأضرار أو الإصابات الناجمة عن تركيب غير سليم، والاستخدام غير السليم أو عدم مراعاة هذه التعليمات للسلامة. يجب أن يتم تركيب هذا المنتج في بنية مناسبة ويجب استخدام فقط لدعم الحد الأقصى للوزن المشار إليه.

IMPORTANT SAFETY INSTRUCTIONS



DANGER: To reduce the risk of an electric shock always:

- Turn off power at source before cleaning.
- Do not use near water or outdoors.



WARNING: To reduce the risk of burns, fire, electric shock, or injury to persons:

- Unplug from outlet before putting on or taking off parts.
- Protect any cables or cords being used near this equipment from being walked on or pinched.
- Clean only with a dry cloth and always unplug any electrical items being used in conjunction with this product before cleaning.
- Never operate this mounting system if it has a damaged cord or plug, if it is not working properly, if it has been dropped or damaged, or dropped into water. Return the mounting system to a service centre for examination and repair.
- Keep the cord away from heated surfaces.
- To avoid any damages and improve maneuverability ensure a safe distance of at least 1 metre is kept between the trolley and other furnishings.
- Never drop or insert any object into any opening.
- Do not operate where aerosol (spray) products are being used or where oxygen is being administered.
- To disconnect, turn all controls to the off position, then remove plug from outlet.



WARNING: Exceeding the weight capacity can result in serious personal injury or damage to equipment. It is the installer's responsibility to make sure the weight of all components attached to the BT8568 does not exceed 100kg (220lbs).

WARNING: Use this mounting system only for its intended use as described in these instructions. Do not use attachments not recommended by the manufacturer.

Any switch or similar device used to operate the interactive board system must be installed at a height of between 750mm and 1200 from the floor.

WARNING: Never operate the product if it is damaged in any way, liquid has been spilled or objects have fallen into the apparatus, the apparatus has been exposed to rain or moisture, does not operate normally, or has been dropped. Contact the original installer/manufacturer to arrange repair or return.

WARNING: Risk of death or serious injury may occur if children climb onto trolley / stand.

NOTE: Noise emissions within 30cm is below 48 dB.

NOTE: BT8568 has no user serviceable parts.

NOTE: BT8568 can support screen sizes up to a maximum of 86 inches (diagonal).



CAUTION: Changes or modifications to this unit not expressly approved by the manufacturer can void the units CE certifications and make the unit illegal to operate.

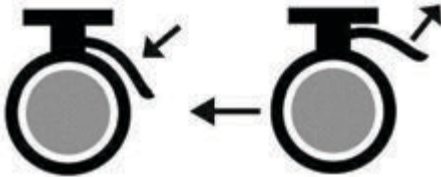


WARNING



**CAN TIP OVER WHICH MAY LEAD TO
SERIOUS INJURY.
DO NOT ALLOW CHILDREN UNDER 16
TO MOVE THE TROLLEY.
MOVE THE TROLLEY SLOWLY.**

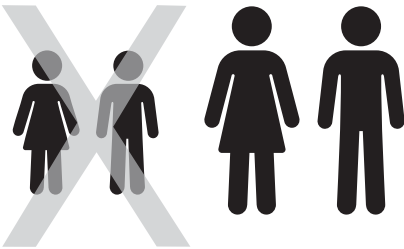
**APPLY THE BRAKES WHEN
TROLLEY IS STATIONARY.
RELEASE BRAKES WHEN
PUSHING TROLLEY.**



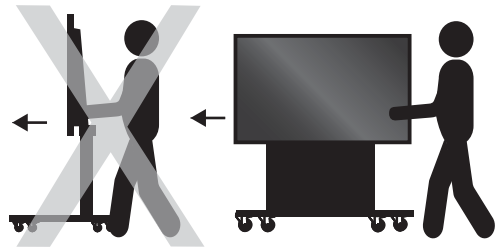
**NEVER LEAVE THE TROLLEY ON AN INCLINE.
ALWAYS PARK ON LEVEL GROUND.**



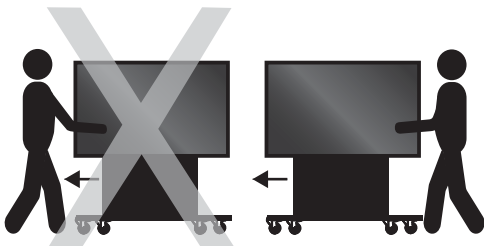
**ONLY ADULTS SHOULD PUSH
THIS TROLLEY.**



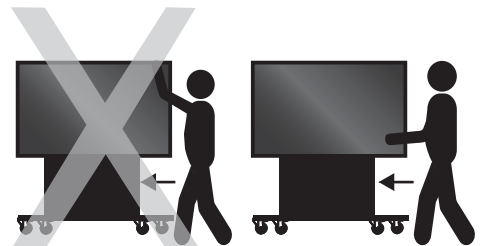
**PUSH TROLLEY ON
NARROW SIDE.**



**NEVER PULL TROLLEY.
ALWAYS PUSH.**



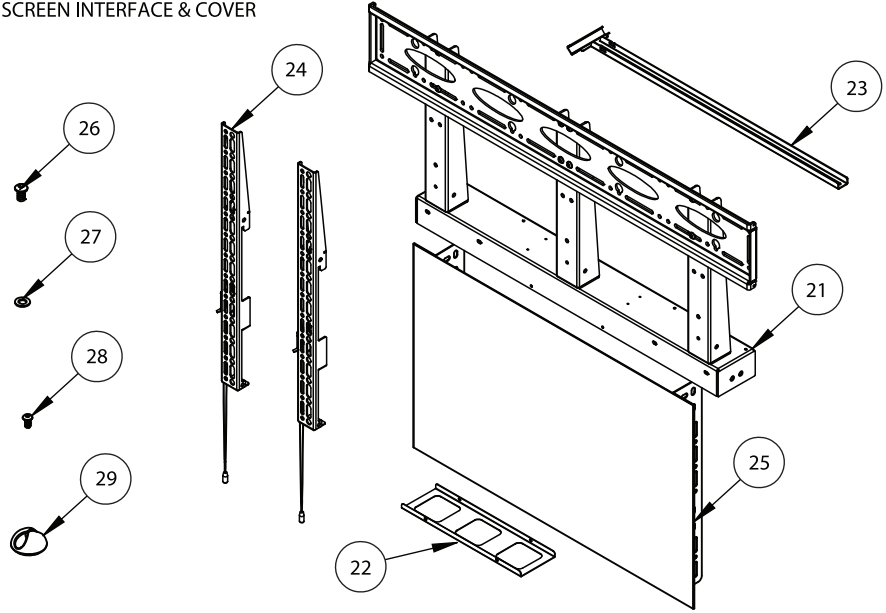
**DO NOT PUSH AT TOP OF TROLLEY.
ALWAYS PUSH NEAR MIDDLE.**



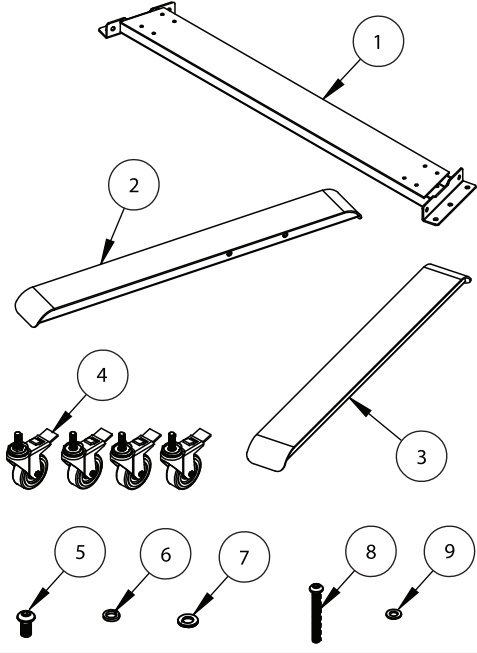
BT8568 PARTS LIST

PLEASE KEEP THIS FOR FUTURE REFERENCE

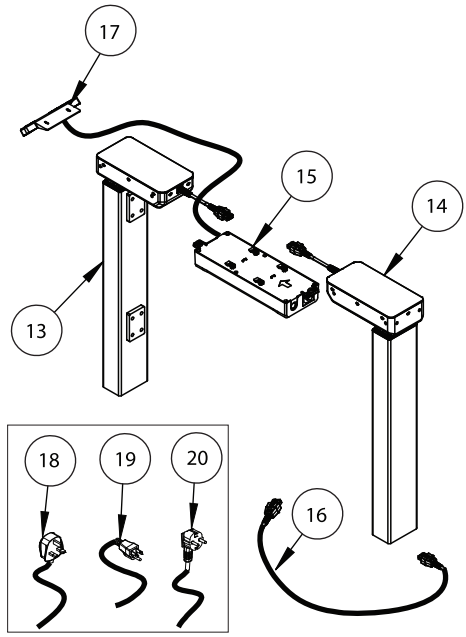
BOX 3 - SCREEN INTERFACE & COVER

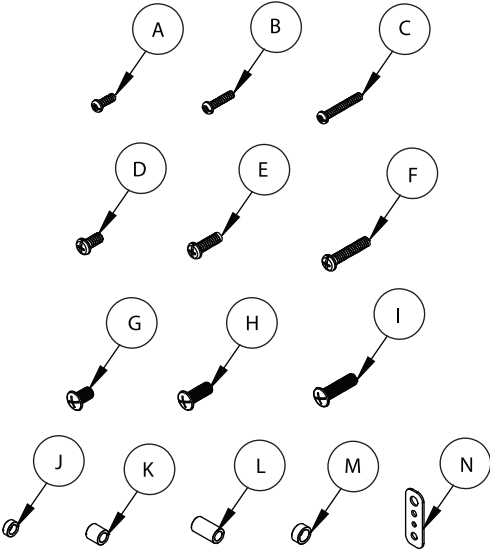
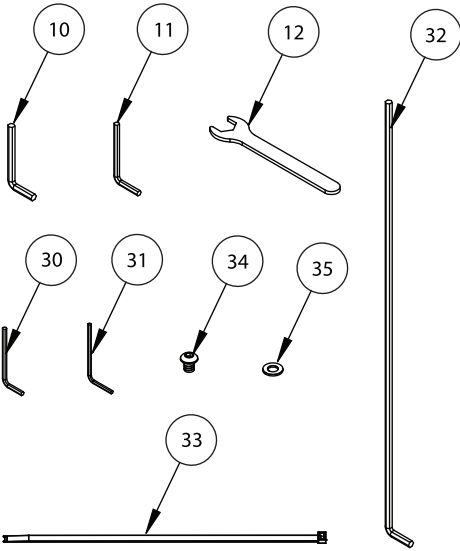


BOX 1 - BASE



BOX 2 - COLUMNS





INSTALLATION TOOLS REQUIRED

Crosshead
screwdriver



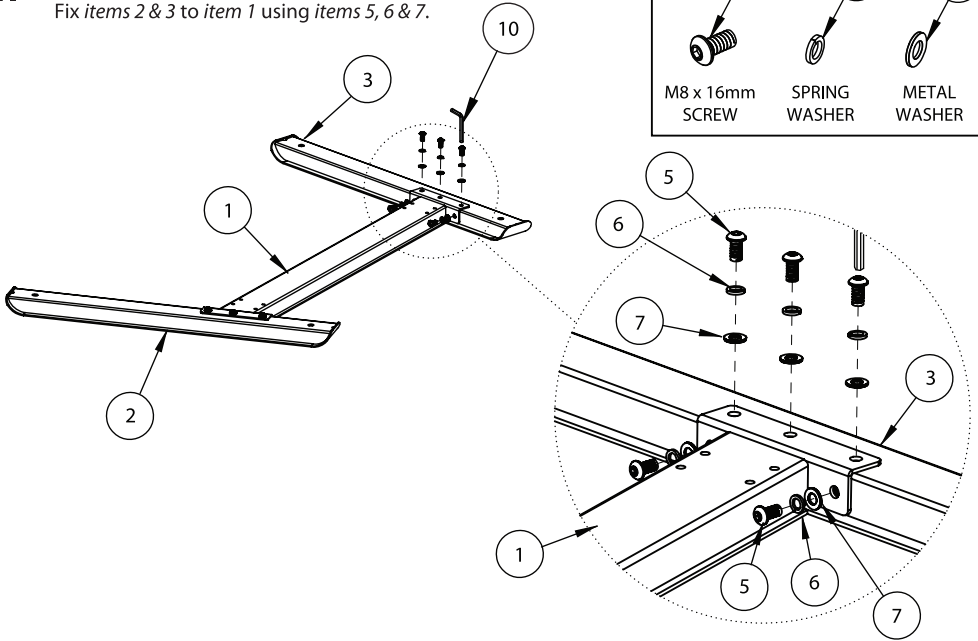
Suitable for loads up to 100kg (220lbs)

ITEM	PART NAME	QTY
BOX 1		
1	BASE CENTRE	1
2	LEFT LEG	1
3	RIGHT LEG	1
4	CASTOR	4
5	M8 x 16mm SCREW	10
6	SPRING WASHER	10
7	M8 WASHER	10
8	M6 x 50mm SCREW	8
9	M6 WASHER	8
10	5AF HEX KEY	1
11	4AF HEX KEY	1
12	SPANNER	1
34	M8 x 12mm SCREW	8
35	M8 WASHER	8
BOX 2		
13	LEFT COLUMN	1
14	RIGHT COLUMN	1
15	POWER BOX	1
16	1M CABLE	1
17	CONTROL PANEL	1
18	UK PLUG	1
19	US PLUG	1
20	EU PLUG	1
BOX 3		
21	TOP SECTION	1
22	CABLE MANAGEMENT TRAY	1
23	CONTROL PANEL HOLDER	1
24	INTERFACE ARM	2
25	FRONT COVER	1
26	M6 x 10mm SCREW	14
27	M6 WASHER	10
28	M4 SCREW	2
29	CABLE MANAGEMENT CLIP	4
30	3AF HEX KEY	1
31	2.5AF HEX KEY	1
32	5AF HEX KEY	1
33	CABLE TIE	4
INTERFACE KIT		
A	M6 x 16mm SCREW	4
B	M6 x 25mm SCREW	4
C	M6 x 40mm SCREW	4
D	M8 x 16mm SCREW	4
E	M8 x 25mm SCREW	4
F	M8 x 40mm SCREW	4
G	M10 x 16mm SCREW	4
H	M10 x 25mm SCREW	4
I	M10 x 35mm SCREW	4
J	M8 x 5mm SPACER	4
K	M8 x 13mm SPACER	4
L	M8 x 24mm SPACER	4
M	M10 x 7mm SPACER	4
N	MULTIWASHER	4

INSTALLATION INSTRUCTIONS

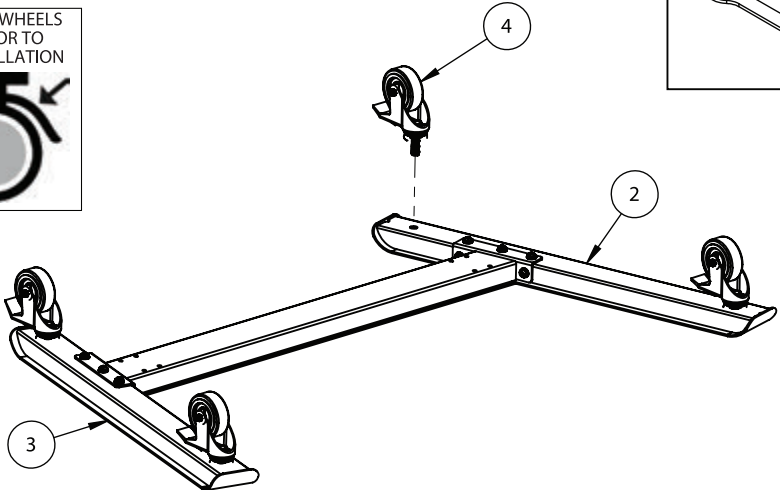
1. ASSEMBLE BASE

Fix items 2 & 3 to item 1 using items 5, 6 & 7.



2. FIX CASTORS

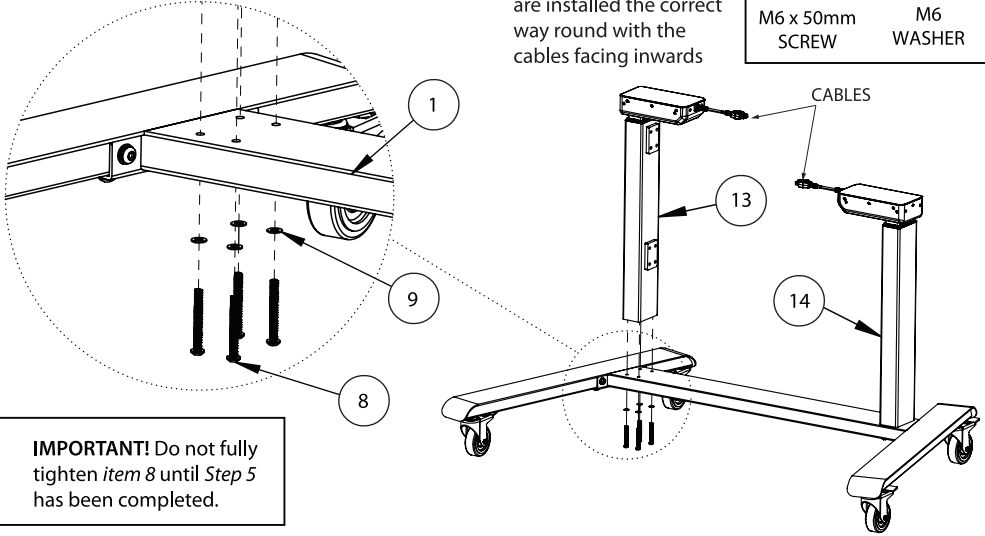
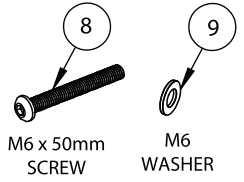
Fix item 4 into items 2 & 3. Use spanner (item 12) to tighten.



3. CONNECT COLUMNS TO BASE

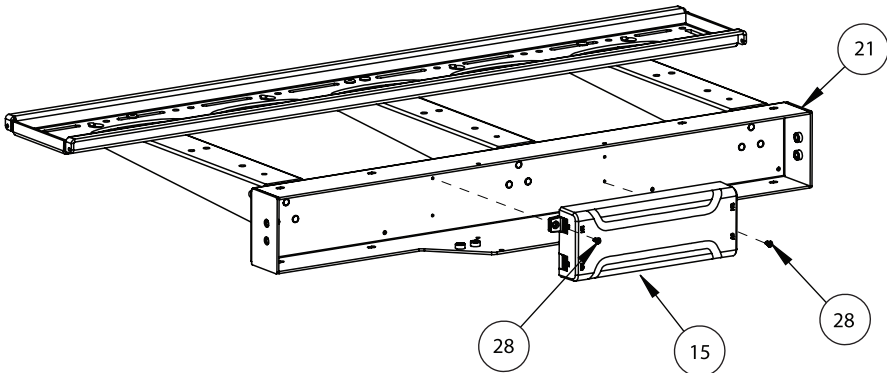
Fix items 13 & 14 to item 1 using items 8 & 9 - Do not fully tighten item 8.

Note: Ensure columns are installed the correct way round with the cables facing inwards



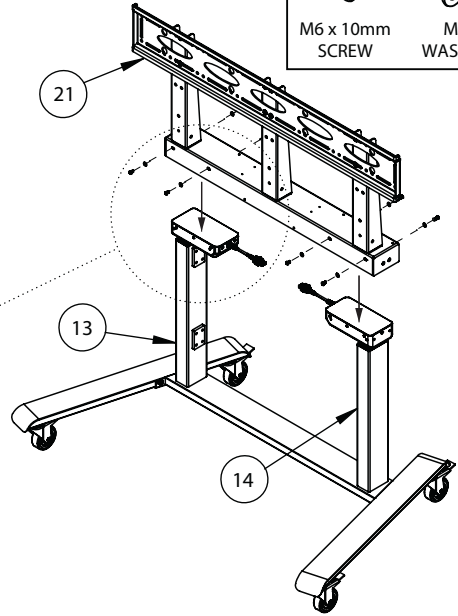
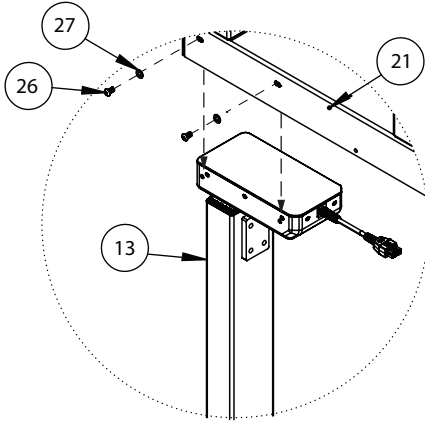
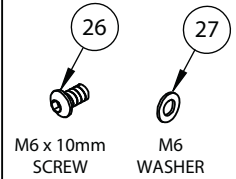
4. FIX POWER BOX

Fix item 15 to item 21 using item 28.



5. ASSEMBLE TOP SECTION

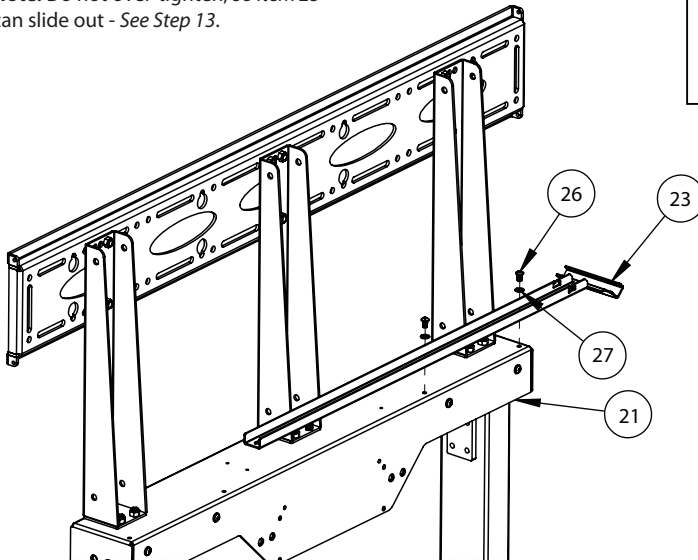
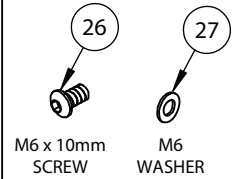
Mount item 21 onto items 13 & 14 and fix in place using items 26 & 27.



6. FIX CONTROL PANEL HOLDER

Fix item 23 to item 21 using items 26 & 27.

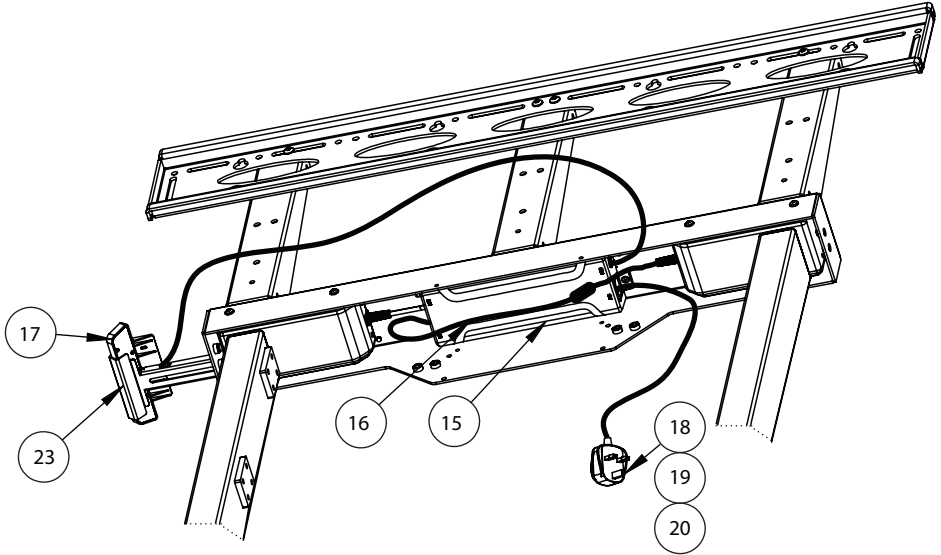
Note: Do not over-tighten, so item 23 can slide out - See Step 13.



7. CONNECT ALL CABLES

Connect items 13, 14, 17 & 18/19/20 to item 15. Mount item 17 onto item 23.

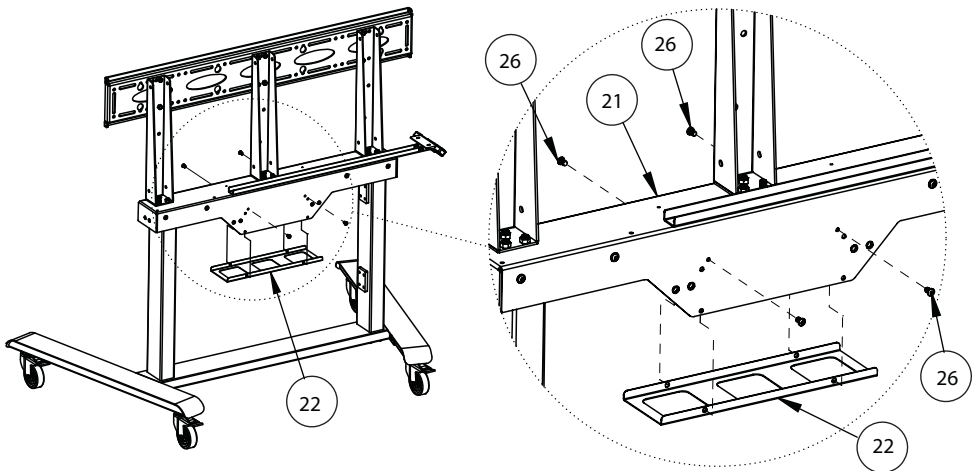
Note: Use item 16 to extend the lifting column power cable.



8. ATTACH CABLE MANAGEMENT TRAY

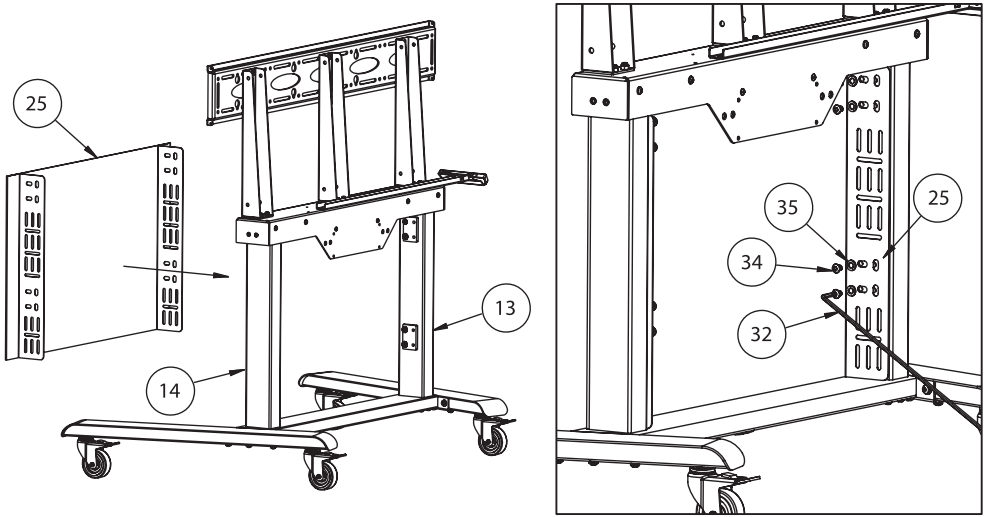
Fix item 22 to item 21 using item 26.

Note: Arrange cables on the underside of item 21, using item 22 to hold cables in place.



9. ATTACH FRONT COVER

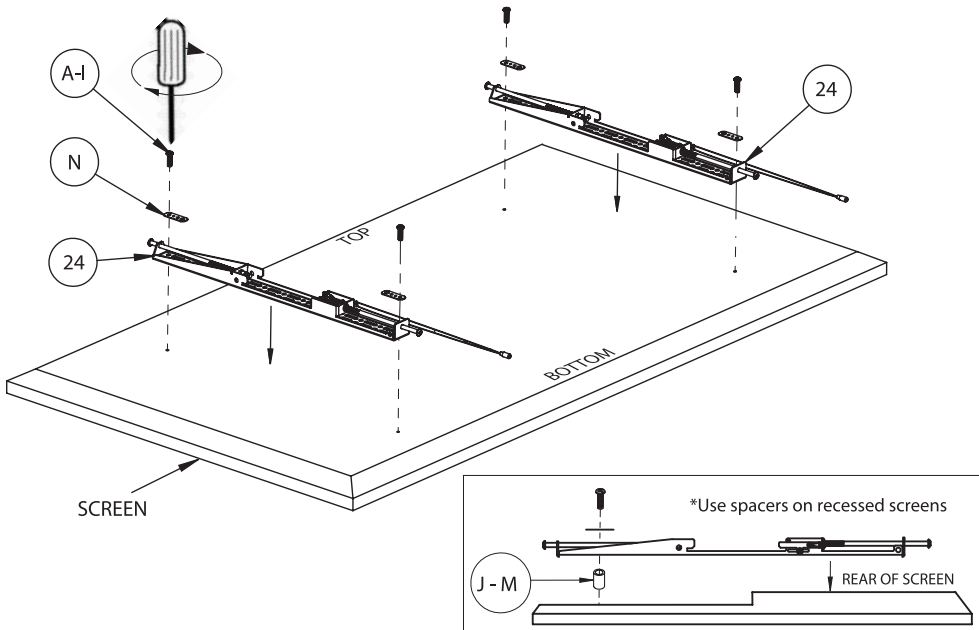
- i. Insert *item 25* into the middle of the two columns.
- ii. Use *items 34 & 35* to fix *item 25* to *items 13 & 14*.



10. FIX INTERFACE ARMS TO SCREEN

Attach *item 24* to the rear of the screen using the interface kit provided.

Note: Ensure *items 24* are positioned the correct way round and the same holes are used on both arms.

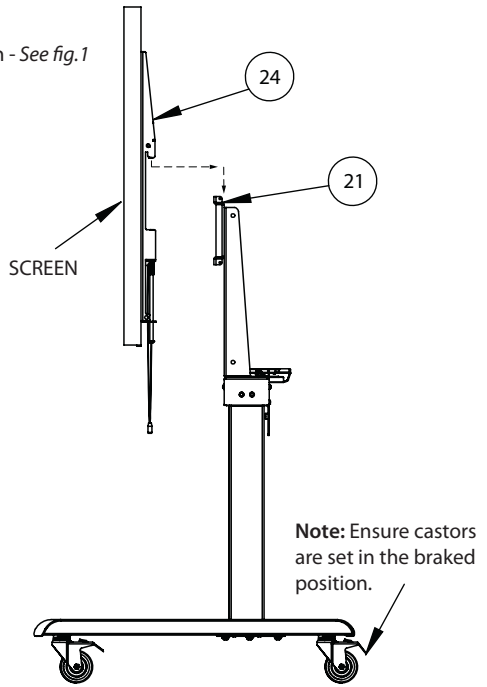
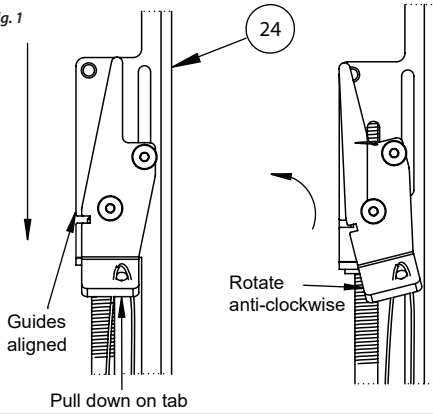


11. MOUNT SCREEN ONTO TROLLEY

- i. Retract locking piece on *item 24* to open position - See *fig.1*
- ii. Hook *item 24* on *item 21*.

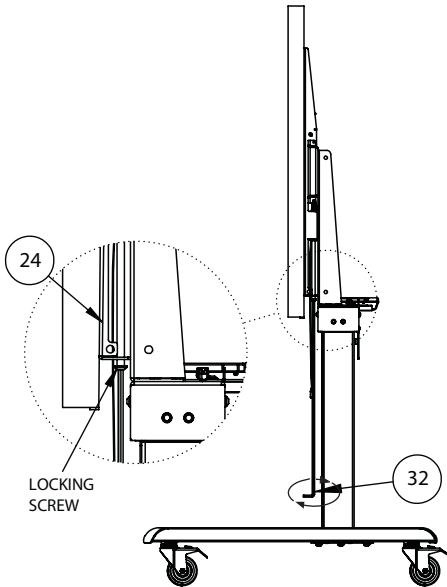
To enable the hook-on interface arms to lock onto the mounting plate pull down the tab on the locking piece until guides align, then rotate the locking piece anti-clockwise. The locking piece will now be secure in open position.

Fig. 1



12. SECURE SCREEN

Secure screen to mount by using the locking screws on the bottom of *item 24*.

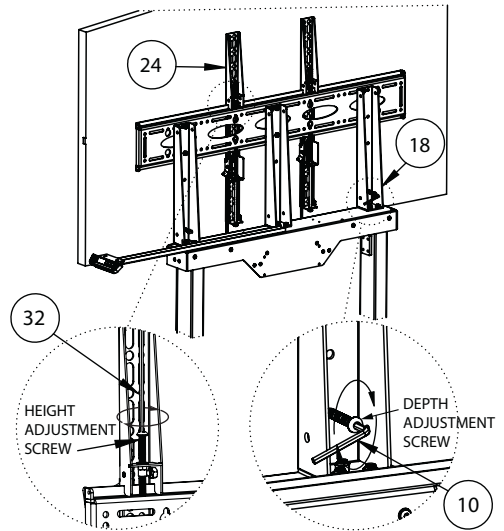


OPTIONAL SCREEN LEVELLING

HEIGHT: Level the screen using the height adjustment screws on top of *item 24*.

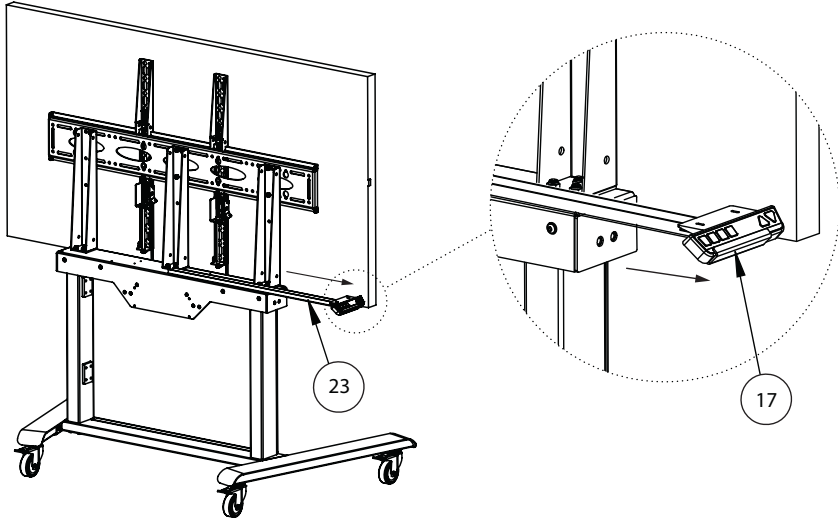
DEPTH: Use the adjustment screws at the rear of *item 18* to push out the bottom of the screen to level.

WARNING! Do not over tighten and damage screen.



13. POSITION CONTROL PANEL

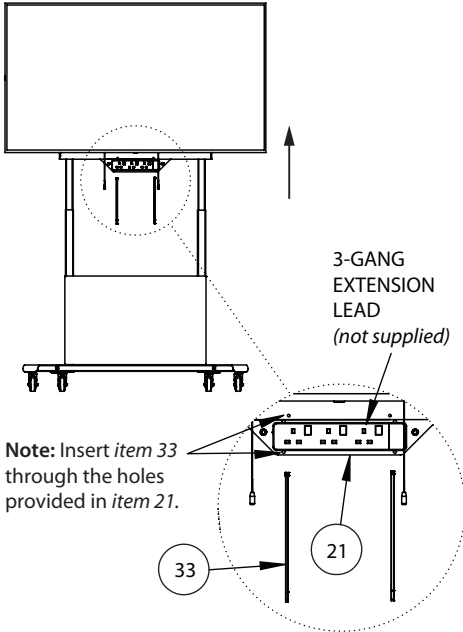
Slide out *item 23* so the control panel (*item 17*) is easily accessible behind the screen.



OPTIONAL ATTACH EXTENSION LEAD

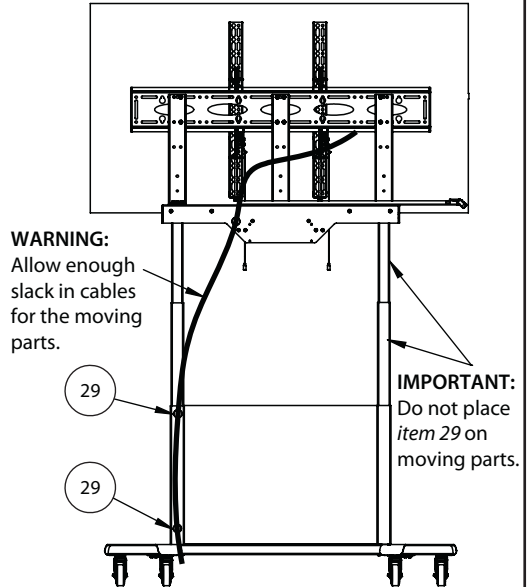
Use the cable ties (*item 33*) to fix an extension lead (*not supplied*) to *item 21*.

Note: Refer to **Operating Control System** on page 15 for instructions on raising the screen.



CABLE MANAGEMENT

Use *item 29* to organise and keep the cables tidy.






OPERATING CONTROL SYSTEM

CONTROL PANEL





MANUAL RESET

Note: If it is necessary to manually reset the control panel. Please follow the steps below:

- i.   Press and hold the 'DOWN' button until the display shows "E-1" and "rES" alternately, then release.
- ii.  Press the 'DOWN' button and the display will move slowly down and return back until the display shows "60". Then release the button.

Warning: The Auto-Stop function is not enabled during the resets. There is a potential risk of pinching, ensure there are no obstacles in the columns/screen path.


UP AND DOWN OPERATION

- i.  Press and hold the 'UP' button until the required height is reached, then release the button.
- ii.  Press and hold the 'DOWN' button until the required height is reached, then release the button.








Note: Pressing the '3' button will automatically take the screen to the maximum height, pressing '1' will automatically take the screen to the minimum height. See Memory Saving Function (*page 16*) to change the factory settings and save different set heights.

AUTO-STOP FUNCTION

Note: Before using the electronic height-adjustable trolley, ensure there are no obstacles (above and below) and no body parts interfering with the movement of the columns/screen.






- i.  When operating the screen up or down, if the screen encounters any obstacles in its path, the display will show "E-2".
- ii. The screen will move small distance in the opposite direction. After the obstacle is removed the system will return to working normally.

CHANGING THE UNIT DISPLAY (cm / inch)

- i.  Press the 'M' key for 3 seconds until the display shows "S—" to enter Set-up menu.
- ii.   Press the 'UP' key until the displays flashes "Unt".
- iii.   Press '1' the display will show alternately as "Unt" and the current height in cm. Press the 'M' key to save the unit in cm.
- iv.   Press '2' the display will show alternately as "Unt" and the current height in inches. Press the 'M' key to save the unit display in inches.




MEMORY SAVING FUNCTION

Use the memory function to save a preferred height. The screen can then go easily to the set position.

- i.   Adjust the display to the height that you want to save.
- ii.  Press the 'M' button and the display panel will show "S—".
- iii.  Press "1" and the display will show alternatively as "S-1" and the screen height.
- iv.  Press "M" button and the 1st memory position is set. Use the same procedure to save a 2nd & 3rd memory position.



PLUG DETECTION

This function can detect whether the motors are connected normally.

- i.   If the display shows "E-2" and "rES", check the motors connected with control unit. Disconnect the main cable and wait at least 5 seconds.
- ii. Re-connect all the plugs.
- iii.  Follow manual reset procedure.

RESET CONTROL UNIT TO FACTORY SETTING

Use this function to reset the control unit to the factory setting.

- i.   Press and hold the 'M' button until the display shows 'S' and then "FAC".
- ii. Release the 'M' button and press again so the control system is reset to the factory setting (including the memory position etc.).

CONTROL SYSTEM DISPLAY

CODE MEANING

CODE	INFORMATION	OPERATION
E-1/rES	Manual reset required	Refer to the control system manual reset procedure
ovr	Overload	Ensure that the mounted weight is less than 100kg (220lbs) for further operation
E-2	Auto-Stop function	Can be used normally after removing the obstacle
dut	Operated continuously without suitable rest	Rest the system and then continue height adjustment

TROUBLESHOOTING

CODE	OPERATION
E-4 / The height between two columns exceeds 2.5cm (1")	Stop the operation and manually reset the system
E-3	Check the cables and ensure they are properly connected The height adjustable columns can be used normally after reset
Full range of height movement not available	Height limitations may have been set on the control system Reset the system manually to restore to factory settings

TECHNICAL DATA

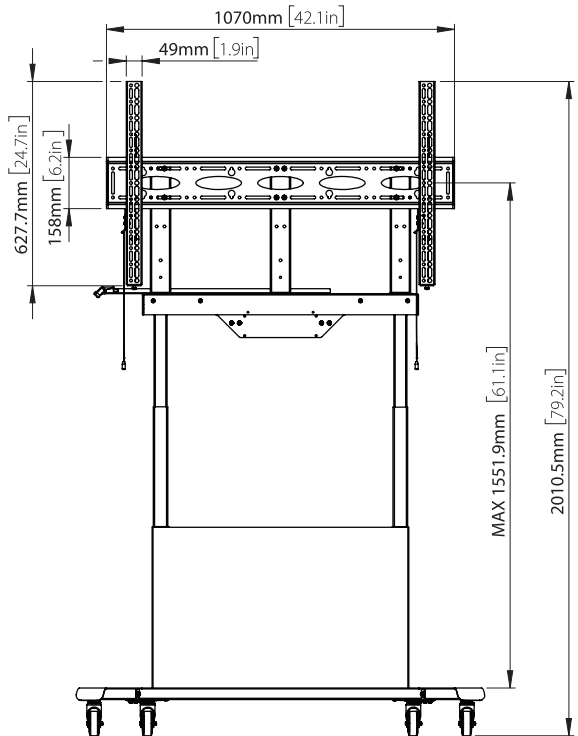
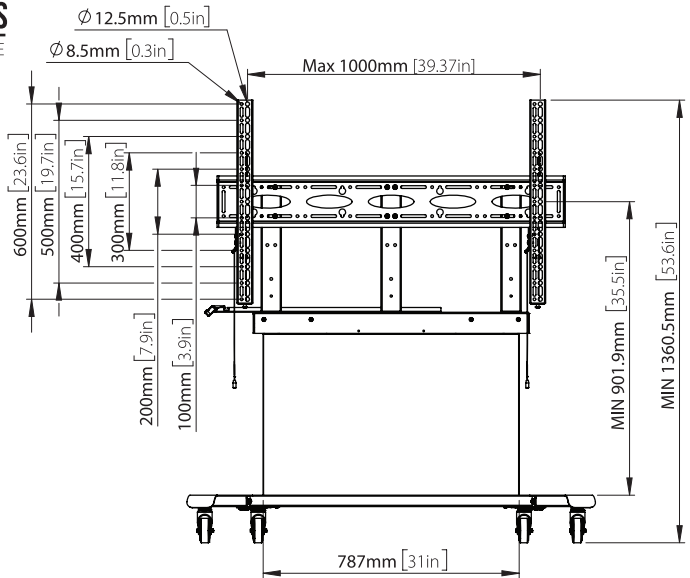
ITEM	DATA
Input Voltage	100~240VAC 50/60HZ 4.7A
Output Voltage	216VAC 24VDC
Max Loading	1000N
Height Range (columns only)	57.15cm - 121.67cm (22.5" - 47.9")
Duty Cycle	2 min on / 18 min off

Note: Noise	Noise emissions within 30cm is below 48 dB.
--------------------	---------------------------------------------

BT8568 DIMENSIONS

PLEASE KEEP THIS FOR FUTURE REFERENCE

FRONT VIEW

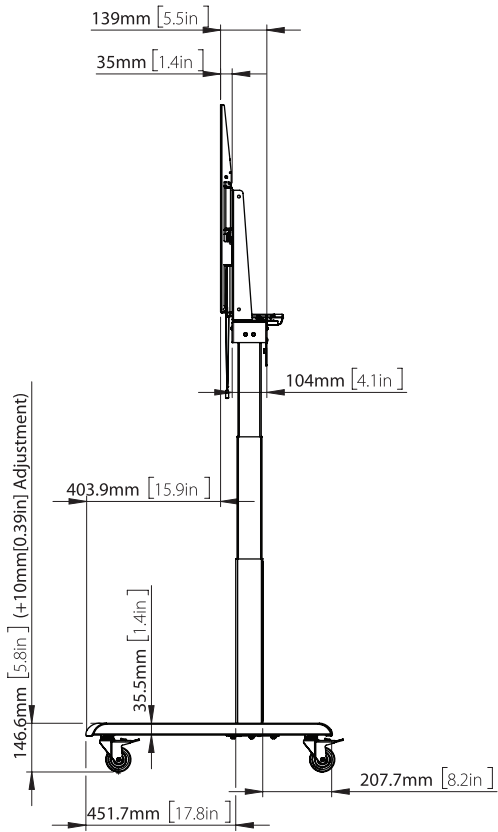


THESE INSTRUCTIONS ARE INTENDED AS A GUIDE ONLY AND B-TECH ACCEPTS NO LIABILITY FOR THE ACCURACY OF THE INFORMATION CONTAINED IN THIS DOCUMENT.

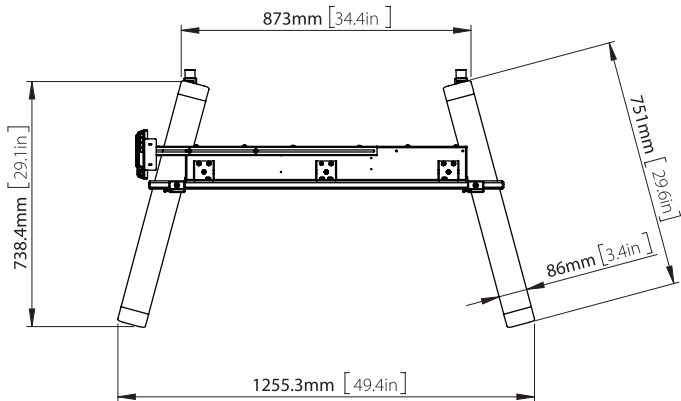
BT8568 DIMENSIONS

PLEASE KEEP THIS FOR FUTURE REFERENCE

SIDE VIEW



TOP VIEW



THESE INSTRUCTIONS ARE INTENDED AS A GUIDE ONLY AND B-TECH ACCEPTS NO LIABILITY FOR THE ACCURACY OF THE INFORMATION CONTAINED IN THIS DOCUMENT.



CONTACT:

info@btechavmounts.com

©2023 B-Tech International Design and Manufacturing Ltd. All rights reserved.
B-Tech AV Mounts is a division of B-Tech International Design and Manufacturing Ltd.
B-Tech AV Mounts and the B-Tech logo are registered trade marks.
All other brands and product names are trademarks of their respective owners.
Photographs are for illustrative purposes only. E&OE.

AMA-BT8568-V1.2-0423-44 MADE IN THE P.R.C.

