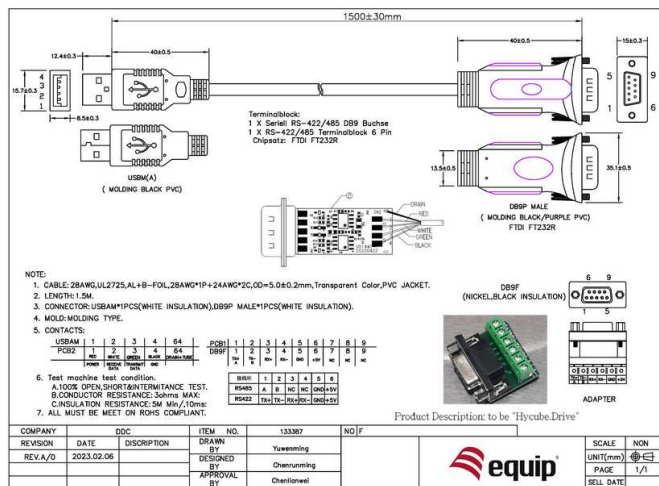


# 133387 USB-A to Serial RS-422/485 DB9 adapter cable

## Product Images



## Short Description

---

1. Cable:
  - USB-A male x 1
  - Serial RS-422/485 (DB9) male x 1
2. Terminal Block:
  - Serial RS-422/485 (DB9) female x 1
  - RS-422/485 Terminal Block 6 pin x 1
3. Chipset: FTDI FT232R
4. Serial connector with screws and nuts
5. Data transfer rate up to 921.6Kbps
6. Surge Protection: 600W peak pulse (TVS)
7. Simple Plug and Play Installation
8. Cable length: 1.5m

## Description

---

This 133387 USB 2.0 to RS-232 adapter provides a flexible DB9 connection with matching screws and nuts for the operation on serial controllers, printers, measuring instruments, IoT devices, etc. A built-in ESD protection prevents the destruction of the electronic components.

## Additional Information

---

Approval and compliance	RoHS
Compatible operating systems	Windows 7 Windows 8 Win 10 Win 11 Mac OS X 10.6 and higher Linux
Angled insert	No
Product weight (kg)	0.091
Cable length	1.5m
Color	Black
EAN	4015867228838
Model Number	133387
Package contents	133387
Connector 1	USB-A, male
Connector 2	Serial (DB9), male
Dimensions (W x D x H)	1520 x 35 x 15 mm

