

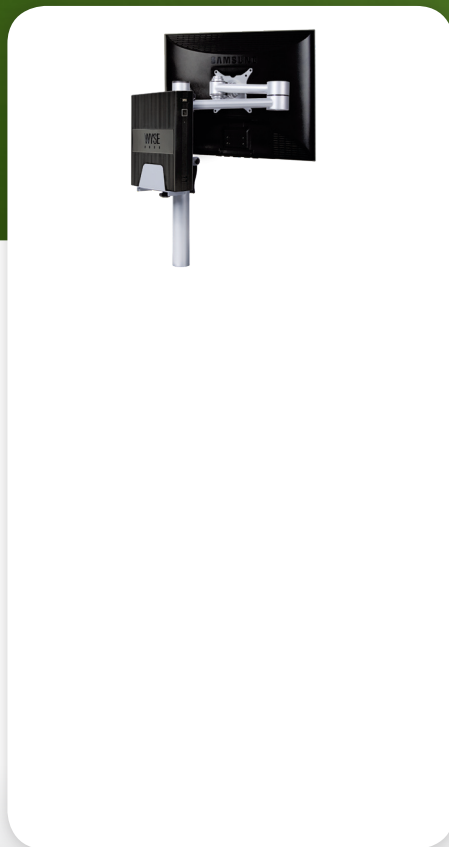


52.402

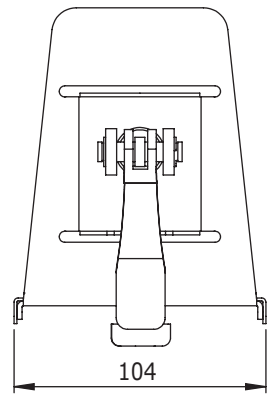
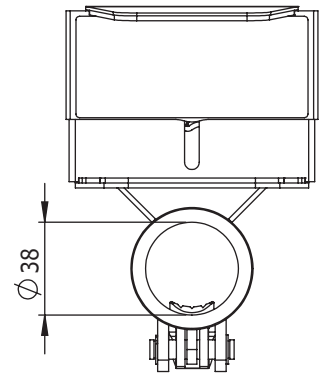
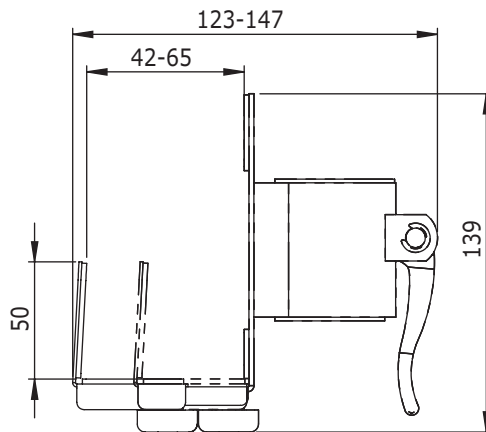
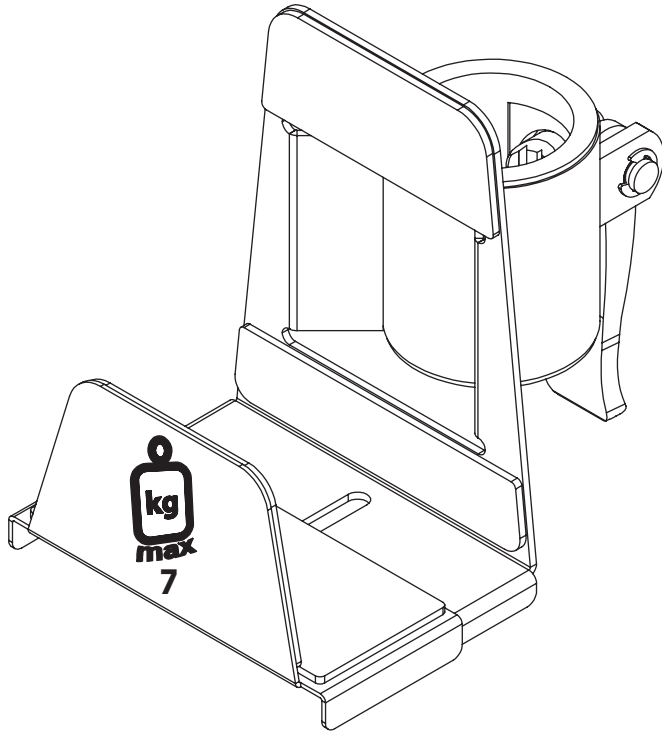
ViewMate Thin Client Holder 402

The ViewMate Thin Client Holder is designed to place onto the ViewMate Style/Ecoline monitor arm. The holder is clamped onto the pole and similar to the monitor arm, is adjustable in height, ensuring both arm and holder are not getting in each other's way. The Thin Client Holder can be adjusted in width between 42-65mm by using a knob fitted on the sliding part of the holder and is suitable for thin clients up to 7kg

- Suitable for ViewMate Ecoline/Modular pole mounted monitor arms
- Suitable for Thin Clients between 42-65mm wide and max. 300mm high
- Coated with layer of anti-skid rubber foam for snug mounting
- Quick adjust lever enables step less height adjustment
- Can be moved up and down parallel with the monitor arm
- Max. weight capacity of 7kg
- Max. dimensions (wxdxh): 123-147 x 104 x 139mm



 viewmate



DFX.# 52.402

silver

150 x 130 x 150mm

0,76kg

805410524029



max 300mm



42-65mm



7kg



Vertical

viewmate

Dealer