

ALTUSCN™

Enterprise Solutions by ATEN

KL1100 Dual Rail LCD PS/2-USB Console Quick Start Guide

© Copyright 2011 ATEN International Co., Ltd. www.aten.com
 Altusen and the Altusen logo are trademarks of ATEN International Co., Ltd.
 All rights reserved. All other trademarks are the property of their respective owners.
 This product is RoHS compliant PAPER-1214-X00G Printing Date: 11/2011

Online Registration
 International: <http://support.aten.com>
 North America: http://www.aten-usa.com/product_registration

Technical Phone Support
 International: +886-2-8692-6959
 China: +86-10-5255-0110
 Japan: +81-3-5615-5811
 Korea: +82-2-467-6789
 North America: +1-888-999-ATEN Ext: 4988
 United Kingdom: +44-8-4481-58923

Patent No.
 CN 200610270305.0 TW 071372 US 729898 GB 2422961
 CN 2.20081027431.8 TW 088958 US 745826 JP 4500751
 CN 2.20081027431.4 TW 082746 US 7414863
 CN 2.20081048931.6 TW 082754 US 7479742



All information, documentation, and specifications contained in this media are subject to change without prior notification by the manufacturer. Please visit our website to find the most up to date version.

1 Package Contents

The KL1100 package consists of:

- 1 KL1100 Dual Rail LCD PS/2-USB Console with Standard Rack Mount Kit
- 1 Custom KVM Cable Set
- 1 Power Cord (AC power models only)
- 1 Firmware Upgrade Cable
- 1 User Instructions

Optional Equipment

Depending on any optional equipment that you may have purchased, one of the following may be included in your package:

- Standard Rack Mount Kit - Long
- Easy Installation Rack Mount Kit - Short
- Easy Installation Rack Mount Kit - Long

2 Requirements

Computer

- The LCD console supports most KVM switches that have PS/2 or USB console port connectors. If you are unsure whether your switch is supported or not, check with your dealer.
- The integrated LCD monitor's maximum resolution is 1280 x 1024 @75Hz. Make sure that none of the resolution settings of the connected computers exceed the LCD monitor's maximum resolution.

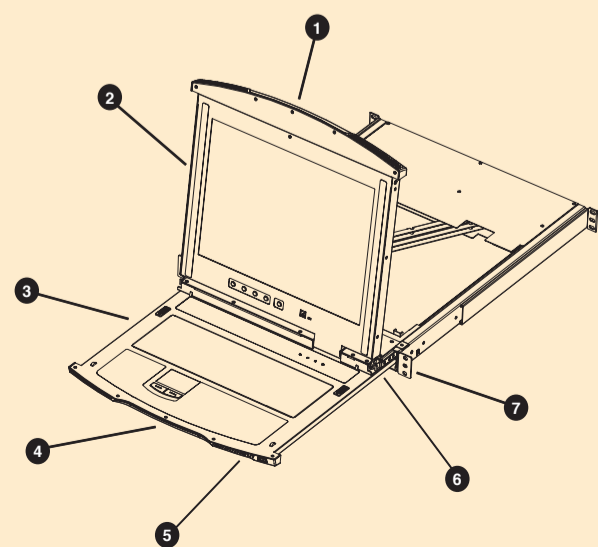
External Console

- A VGA, SVGA, or multisync monitor capable of displaying the highest resolution provided by any computer in the installation
- USB or PS/2 keyboard and mouse

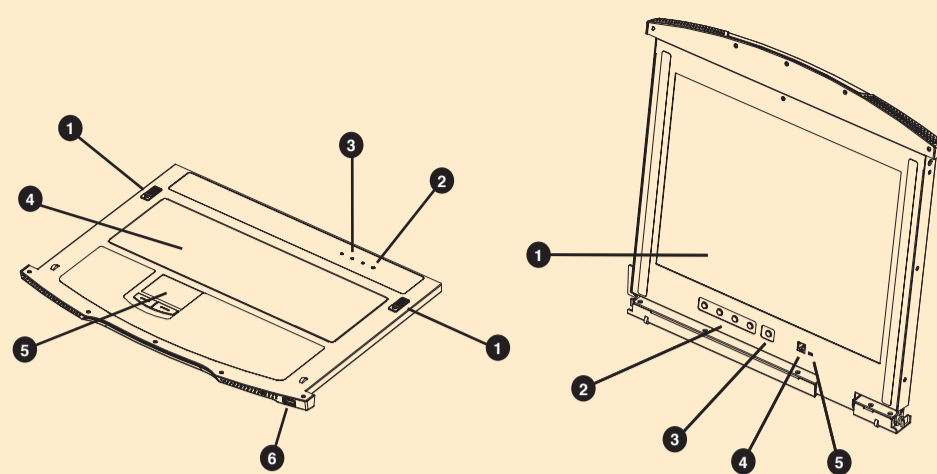
Cables

For optimum signal integrity and to simplify the layout, we strongly recommend that you use ATEN high quality Custom Cable sets.

3 KL1100 Front View

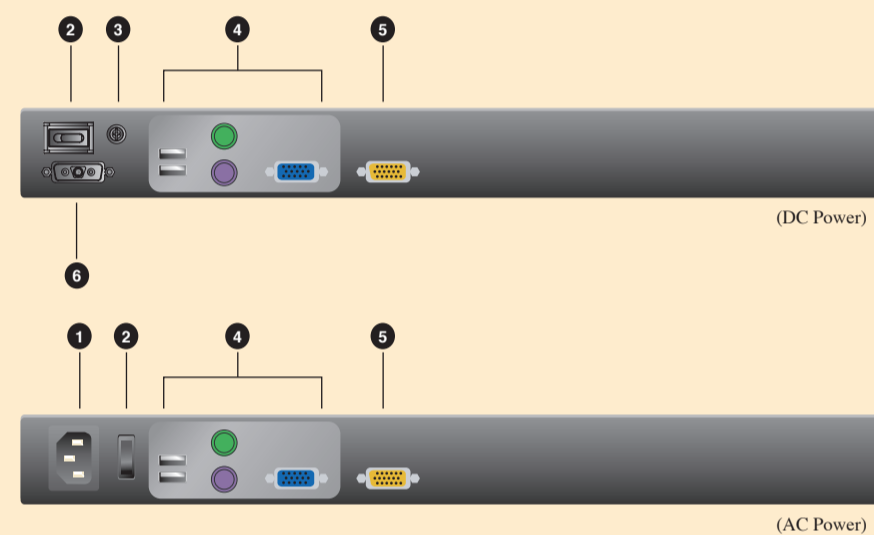


1. Upper Handle
2. LCD Module
3. Keyboard Module
4. Lower Handle
5. Power LED
6. LCD Release Catch
7. Rack Mounting Tabs



1. Keyboard Release Catch
 2. Reset Button
 3. Lock LEDs
 4. Keyboard
 5. Touch pad
 6. External Mouse Port
1. LCD Display
 2. LCD Controls
 3. LCD On/Off Button
 4. Firmware Upgrade Port
 5. Firmware Upgrade Switch

4 KL1100 Rear View



1. Power Socket
2. Power Switch
3. Grounding Terminal
4. External Console Section
5. KVM Port Section
6. DC Terminal Block

5-1 Hardware Setup 1

Standard Rack Mounting

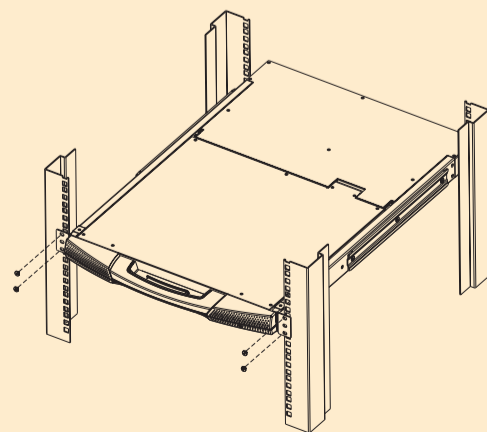
A standard rack mounting kit can be purchased separately for your KL1100. The kit enables the KL1100 to be mounted in rack with a depth of 42.0 - 77.0 cm.

Note:

1. It takes two people to mount the KL1100: one to hold it in place; the other to screw it in.
2. Optional mounting kits - including single person Easy Installation kits - are available with a separate purchase.
3. The standard rack mounting kit does not include screws or cage nuts. If you need additional screws or cage nuts, contact your rack dealer.

To rack mount the KL1100, do the following:

1. While one person positions the KL1100 in the rack and holds it in place, the second person loosely screws the front brackets to the rack.

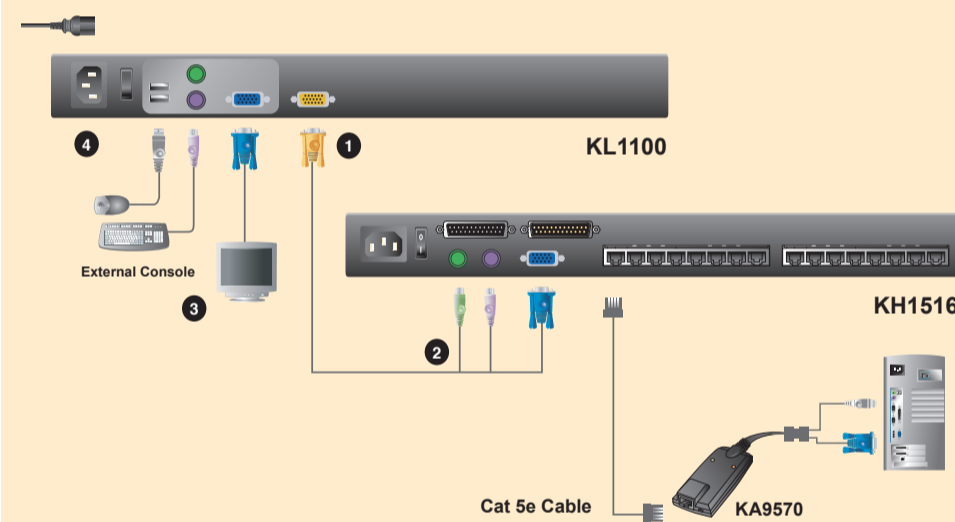


2. While the first person still holds the KL1100 in place, the second person slides the L brackets into the KL1100's side mounting brackets from the rear until the bracket flanges contact the rack, then screws the L brackets to the rack.

5-2 Hardware Setup 2

Connecting Up

1. Plug the SPHD connector end of a KVM cable into the LCD Console's KVM port.
2. Plug the keyboard, monitor, and mouse connectors of the KVM cable into their respective ports on the Console Section of a KVM switch.
3. If you are installing an external console, plug your keyboard, monitor, and mouse into their respective ports on the Console Section of the LCD Console. The ports are color coded and marked with an icon for easy identification.
4. Plug the power cord into the LCD Console's power socket and into a power source.
5. Power up your KVM installation.
6. Turn on the power to LCD Console.



6-1 Operation 1

Hot Plugging

The KL1100 supports hot plugging—components can be removed and added to the console by unplugging their cables from the ports without the need to shut down the KL1100.

Powering Off and Restarting

If it becomes necessary to Power Off the KL1100 (to upgrade the firmware, for example), simply turn off the power to the unit using the rear panel power switch. Restarting the KL1100 is as easy as turning the rear panel power switch back on.

6-2 Operation 2

Console Selection

Console selection on the KL1100 is accomplished with hotkey combinations, as described in the following table:

Combination	Action
[Ctrl] [Alt] [Shift] [P] [C] [Enter]	To select normal mode (pc).
[Ctrl] [Alt] [Shift] [S] [U] [N] [Enter]	To select SUN.
[Ctrl] [Alt] [Shift] [u] [p] [g] [r] [a] [d] [e] [Enter]	Activates the Firmware Upgrade Mode. Note: this Hotkey sequence only works when the Firmware Upgrade Recovery Switch is in the Normal position.
[Ctrl] [Alt] [Shift] [L] [Enter]	Enable Local (LCD) console; Disable Remote (external) console.
[Ctrl] [Alt] [Shift] [R] [Enter]	Enable Remote (external) console; Disable Local (LCD) console.
[Ctrl] [Alt] [Shift] [L] [R] [Enter] or [Ctrl] [Alt] [Shift] [R] [L] [Enter]	Enable both consoles (default).

Note:

1. Press the keys in sequence - one key at a time. First [Ctrl], then [Alt], then [Shift], etc.
2. Console selections are not saved. If the KL1100 is powered off, it reverts to the default setting of both consoles enabled when it is powered on again.
3. If the KVM switch connected to the KL1100 uses the [Ctrl] [Alt] [Shift] combination to invoke its hotkey mode, you won't be able to access any of its hotkey operations because the KL1100 will capture the combination for console selection first.

7 Specifications

Function		KL1100 (AC Power)	KL1100 (DC Power)	
Computer Connections		1		
Console Selection		Hotkey		
Connectors	External Console Ports	Keyboard	1 x 6-pin Mini-DIN Female (Purple) 1 x USB Type A Female (Black)	
		Video	1 x HDB-15 Female (Blue)	
		Mouse	1 x 6-pin Mini-DIN Female (Green) 1 x USB Type A Female (Black)	
	KVM Ports		1 x SPHD-15 Female (Yellow)	
	Power		1 x 3-prong AC Socket	1 x 3W3 or DC Terminal
	F/W Upgrade		1 x RJ-11	
Switches	External Mouse		1 x USB Type A Female (Black)	
	Reset	1 x Semi-recessed Pushbutton		
	Power	1 x Rocker		
	F/W Upgrade	1 x Slide		
	LCD Power	1 x Pushbutton		
LEDs	LCD Adjustment		4 x Pushbutton	
	Power	1 (Blue)		
Emulation	Keyboard/Mouse		PS/2; USB	
	17" LCD	1280 x 1024, DDC2B		
	19" LCD	1280 x 1024, DDC2B		
I/P Rating		100-240VAC; 50-60 Hz; 1A	36-75VDC; 1A	
Power Consumption		17" LCD	29.6W	
		19" LCD	32.2W	
Environment	Operating Temp.	0-40°C		
	Storage Temp.	-20-60°C		
	Humidity	0-80% RH, Non-condensing		
Physical Properties	Housing		Metal	
	Weight	17"	15.90 kg	
		19"	17.40 kg	
	Dimensions (L x W x H)	17"	61.40 x 48.20 x 4.40 cm	
19"		66.50 x 48.20 x 4.40 cm		

* All specifications are subject to change without notice.