



- Fixed height column system
- VESA 200x200 up to 800X600 display interface
- 2 Wall-mount brackets
- Easy to assemble
- High stability
- Total height 181 cm

moTion column system

fixed height

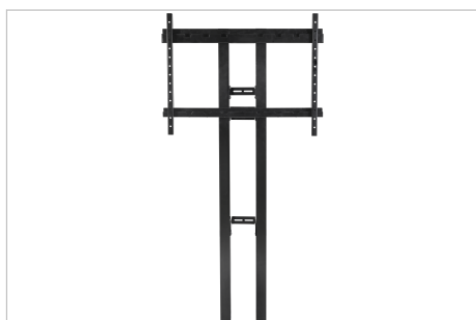
- Contemporary design that fits perfectly in any modern office space
- VESA head for screen and accessories can be easily adjusted to any height during installation
- Stand is delivered as an assembly kit and is very easy to setup (<15 minutes)
- Optional accessory shelves for e.g. videoconferencing cameras and laptops are available. These come with a VESA 100 mount on the bottomside for small form factor PC's or wireless screensharing hardware
- Optional extra wide bracket allows flexible placement and safe and secure fastening to e.g. gypsum walls

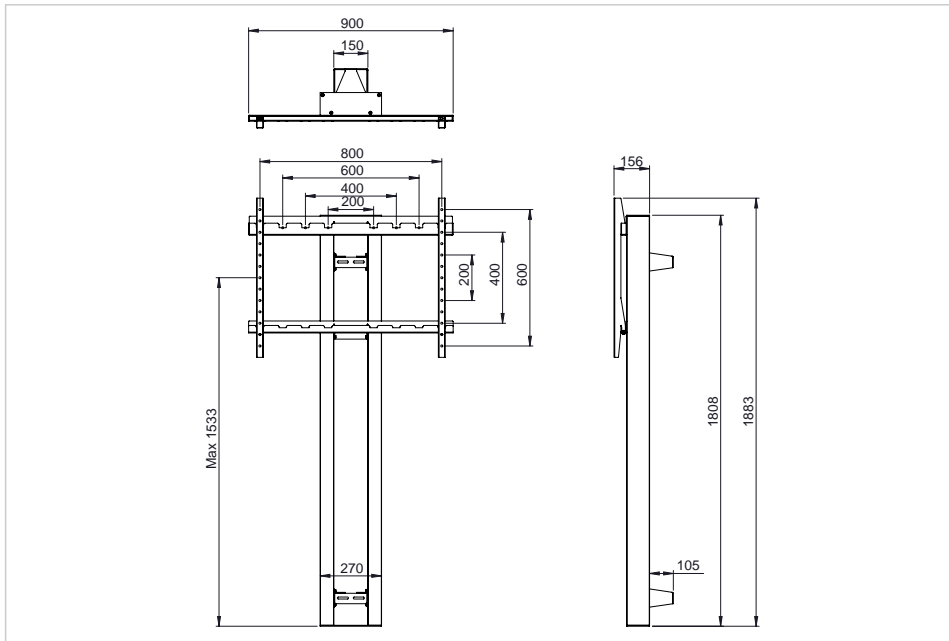
Recommended accessories

- moTion wide wall mounting bracket WWB-700 (Art.No. 7-811931)

Art.No. **7-811541**

GTIN **8713797104838**





Specifications

Height adjustable	No
Mounting interface	VESA 200x200 up to VESA 800x600
Package contents	Mounting instruction, Mounting material, Wall mounting brackets
Screen height max. (center vesa mount)	1470 mm
Maximum load height adjustable system	126.00 kg
Maximum screen weight	126.00 kg
Maximum screen size	98 "
Cable lock slot	No
Cable compartment	No
Product warranty	5 Years

Logistics

GTIN	8713797104838
Article number	7-811541
Quantity	1 pcs
Packing dimensions	215 x 255 x 1805 mm
Weight (gross/net)	17.24 kg / 16.04 kg

Product overview

Article name	Article number	GTIN/EAN	Minimum order quantity
Legamaster moTion column system CS-12S	7-811211	8713797100601	1
Legamaster moTion column system FCS-12XL	7-811321	8713797100595	1
Legamaster moTion column system fixed height	7-811541	8713797104838	1