

Surge Protection Module EA2100

Installation Guide



MISC10000035 03/2022 V1.0

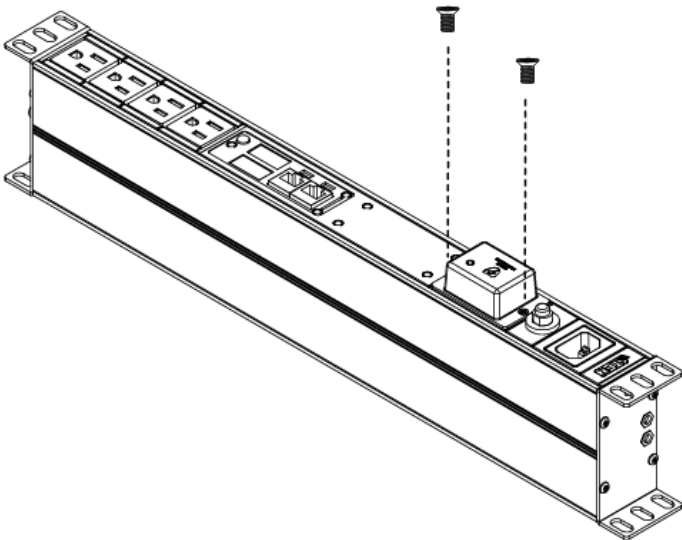
Package Contents

EA2100	
Qty	Description
1	Surge Protection Module
1	user instructions

Installation

To replace a surge protection module on a PDU unit, do the following:

1. Unscrew the screws to remove the surge protection module from a PDU unit .



2. Screw the surge protection module into the PDU unit using the two screws you unscrewed in step 1.

