

## WL35-350BL14

## NEOMOUNTS WL35-350BL14 TV MOUNT WALL 32-65" - TILTABLE - LOCKABLE - EASY INSTALL

### SPECIFICATIONS

#### GENERAL

Min. screen size*	32
Max. screen size*	65
Max. weight	35
Screens	1
VESA minimum	50x50 mm
VESA maximum	400x400 mm
Distance to wall	4,5 cm

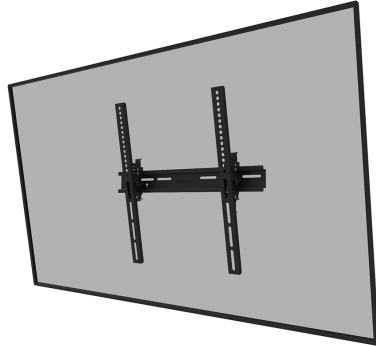
#### FUNCTIE

Type	Tilt
Lockable	Lockable - Padlock not included
Tilt (degrees)	+10°, -2°
Height	42,5 cm
Width	45 cm
Depth	4,5 cm
Adjustment type	Manual

#### INFORMATION

Color	Black
Main material	Steel
Warranty	5 year

\*Please note: The inch sizes stated are just an indication, combined with the weight and VESA sizes. The maximum weight and VESA size are absolute restrictions for the products and should not be exceeded.



Neomounts



Neomounts

### Neomounts WL35-350BL14 Tiltable TV mount wall - 32-65" - max 35 kg - VESA 50x50-400x400 - d 4,5 cm - lockable (excl. lock) - Easy Install-model - black

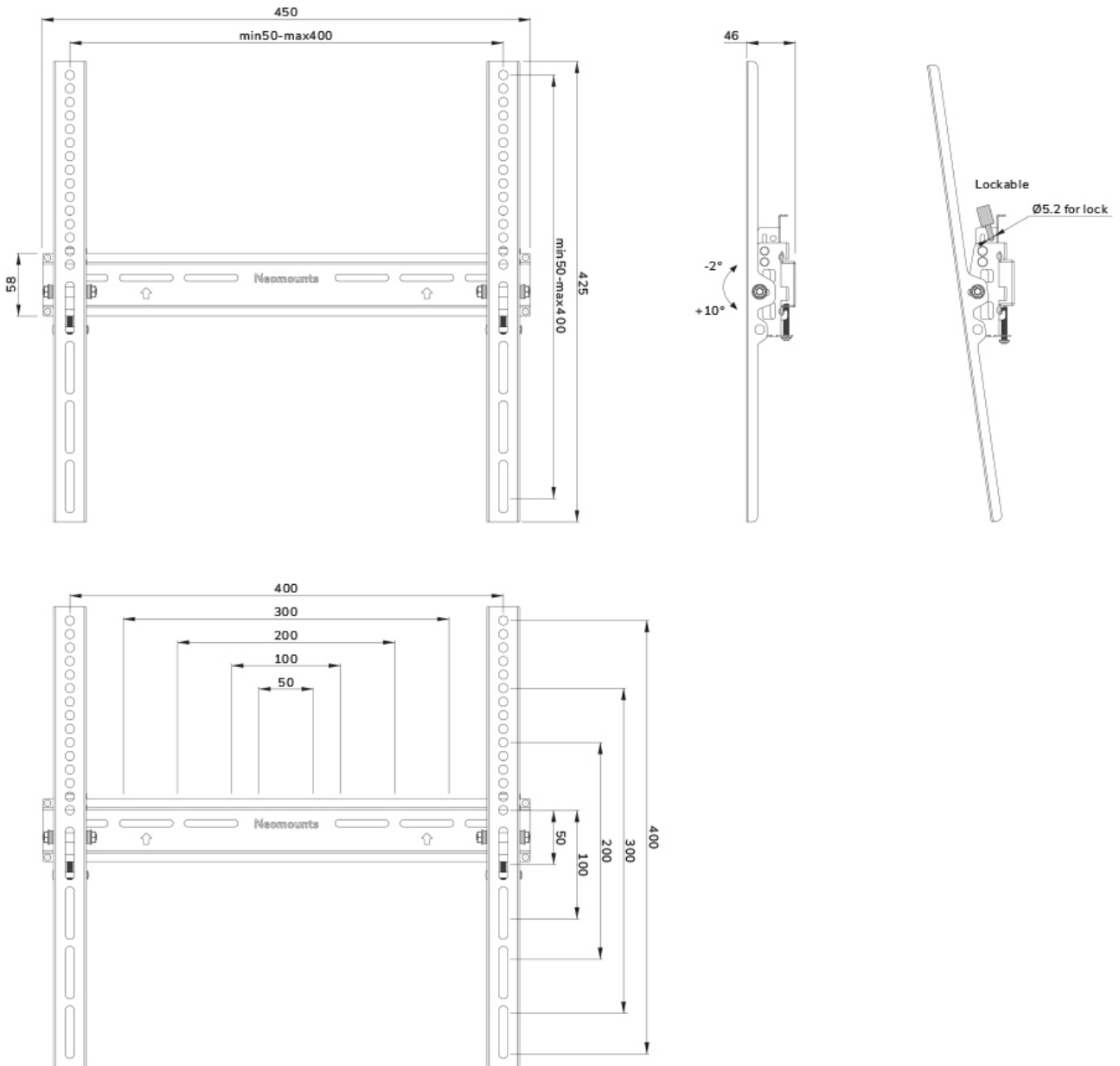
The Neomounts WL35-350BL14 is a tiltable wall mount for flat screens up to 65" with a maximum weight capacity of 35 kg. The versatile tilt technology (12°), allows you to create the optimum viewing angle.

The WL30-350BL14 has a depth of 4,5 cm and is suitable for screens that meet VESA hole pattern 50x50 to 400x400 mm. It is possible to lock the individual brackets of the mount using a padlock (not included).

A practical bolt bag is included in the packaging, for quick and easy installation.

WL35-350BL14

NEOMOUNTS WL35-350BL14 TV MOUNT WALL 32-65" - TILTABLE - LOCKABLE - EASY INSTALL



Neomounts