
























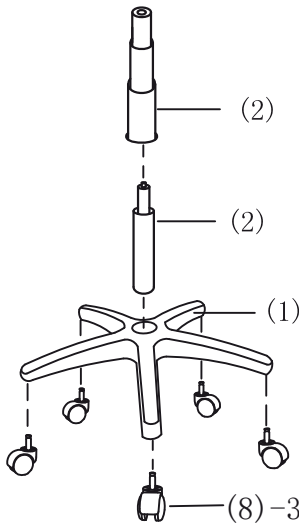


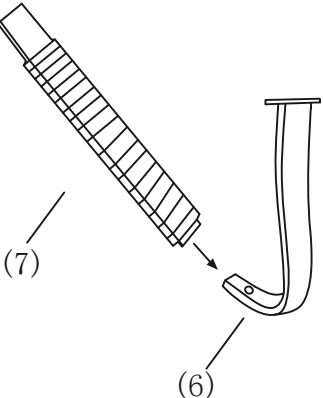
# Assembling instruction ICA-CT CD102BLU / ICA-CT CD102GY / ICA-CT CD102RE

(1) Base	(2) Gas Column	(3) Mechanism	(4) Seat								
											
(5) Back	(6) Tube bending	(7) Dirt-proof boot									
											
<p>(8)</p> <table border="0"> <tr> <td>1.  x4 (6x16) mm</td> <td>5.  x1</td> </tr> <tr> <td>2.  x2 (6x25) mm</td> <td>6.  x1</td> </tr> <tr> <td>3.  x5</td> <td></td> </tr> <tr> <td>4.  x1</td> <td></td> </tr> </table>				1.  x4 (6x16) mm	5.  x1	2.  x2 (6x25) mm	6.  x1	3.  x5		4.  x1	
1.  x4 (6x16) mm	5.  x1										
2.  x2 (6x25) mm	6.  x1										
3.  x5											
4.  x1											

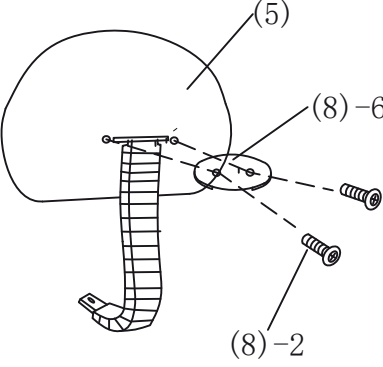
## A



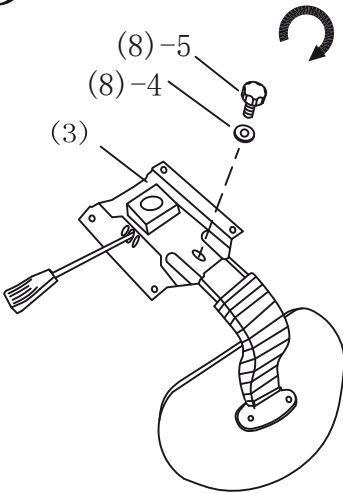
## B



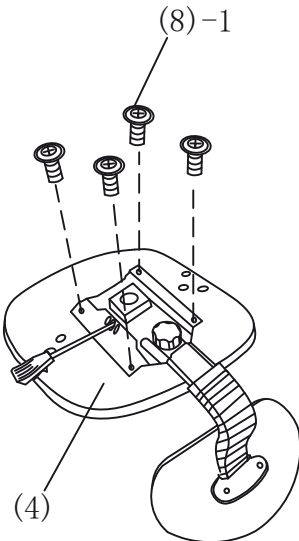
## C



## D



## E



## F

