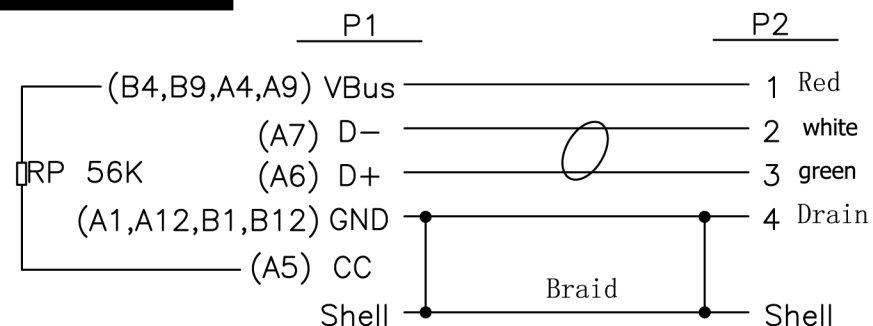


Pin Assignment:

Electrical Test:

1. 100%Test(Open ,short ,miss wire)
2. Contact Resistance: 2 ohm max.
3. Insulation Resistance: 10M ohm min.300V DC/10ms



8	LABEL:	70*10MM MARING: TECH...CE...	1	pcs
7	shell:	USB TYPE C Back Shell Nickel plated	1	pcs
6	shell:	USB TYPE C Front Shell Nickel plated	1	pcs
5	Outside Molding:	PVC~45P~Black	16	g
4	Inside Molding:	Low pressure internal mold hardness:40~48D UL94V-0	3	g
3	CONN:	TYPEC-USB2.0 C Type Connector With~PCB+SMT~shell Nickel plated~Pin Gold plated	1	pcs
2	CONN:	USB AM~shell Nickel plated~insulation white Pin Gold plated	1	pcs
1	WIRE:	UL~24AWG(26/0.10TC)*1C(Red)+32AWG(7/0.08TC)*1P(green+white)+E(26/0.10TC)*1C+AB(16/8/0.06TC 85%TC)OD:3.0mm~Black(PVC001-0001)NO Marking	1.01	m
NO		DESCRIPTION	Q'TY	UNIT

REV	ECN NO.	DESCRIPTION	DATE	NAME
	TOLERANCE			
	INCHES M/M			
	.X	.015 .30		
	.XX	.010 .10	TITLE: USB2.0 AM TO CM BLACK	
	.XXX	.005 .05	CUSTOMER : APL	
DRAWN BY	siping.Wang		CUSTOMER P/N : ICOC MUSB20-CMAM10T	
CHECK BY			SCALE	NONE
APPD BY			UNIT	MM
	DATE	2020.02.24		REV. AO