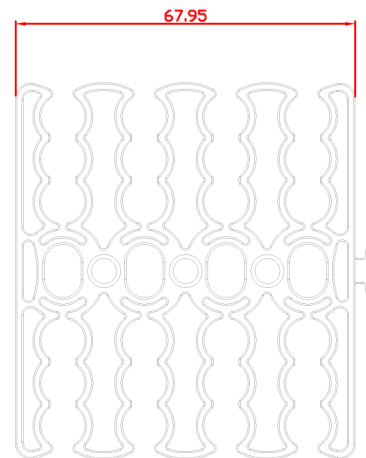
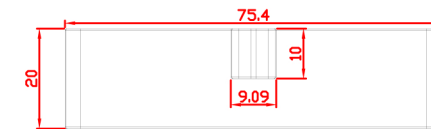
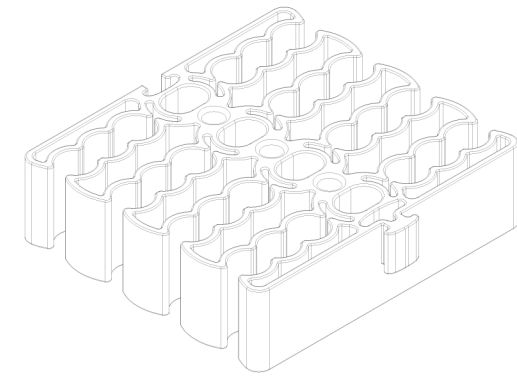
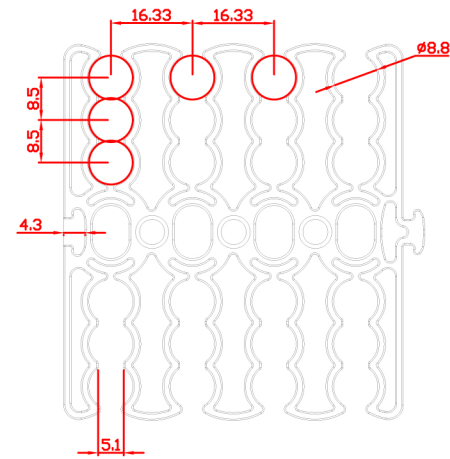


Material: POM



Cod. ISWT-PETCABLEBL/OR