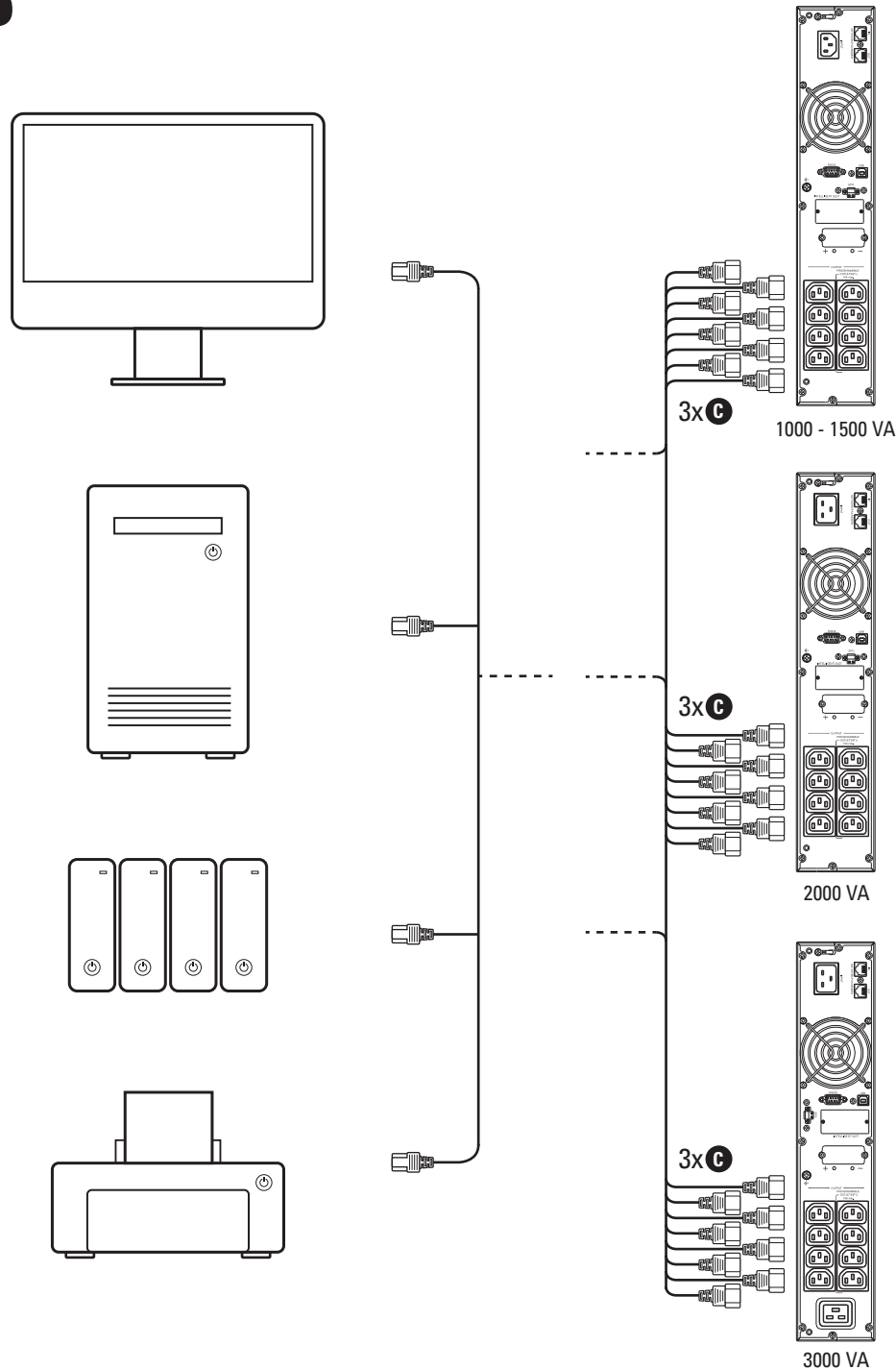
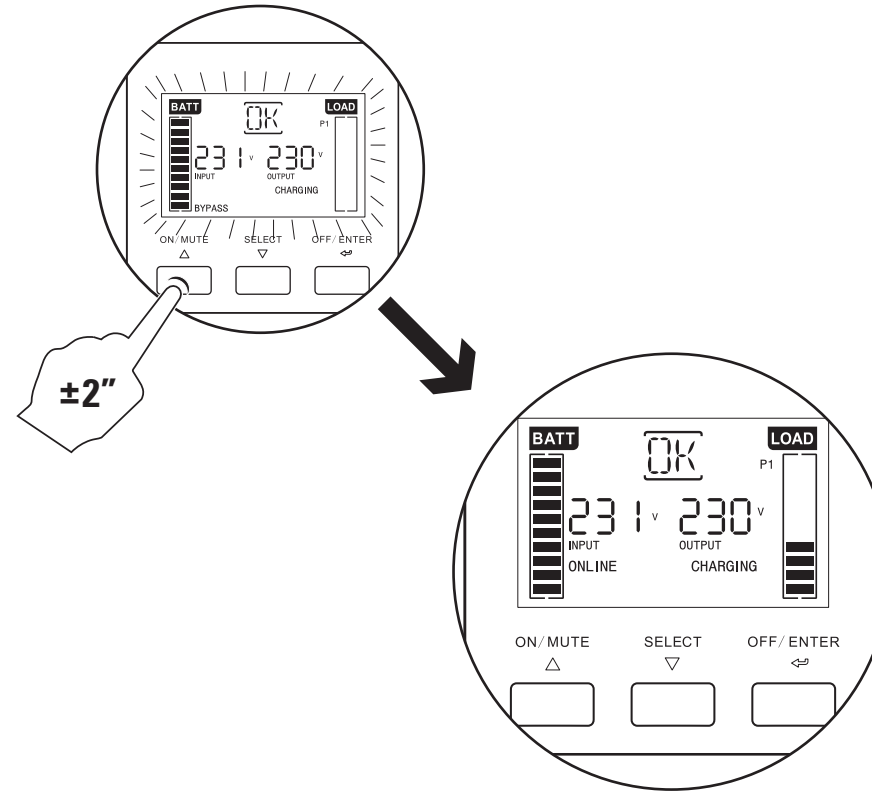


8



9



# SLC TWIN RT<sup>2</sup>

QUICK START GUIDE  
GUÍA RÁPIDA  
GUIDE DE DÉMARRAGE RAPIDE  
SCHNELLSTARTANLEITUNG  
GUIA RÁPIDO  
دليل البدء السريع

- SLC 1000 TWIN RT2 LION
- SLC 1500 TWIN RT2 LION
- SLC 2000 TWIN RT2 LION
- SLC 3000 TWIN RT2 LION



1



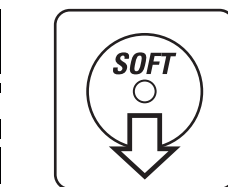
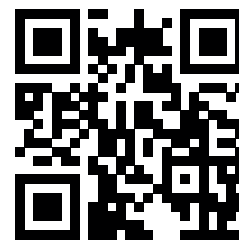
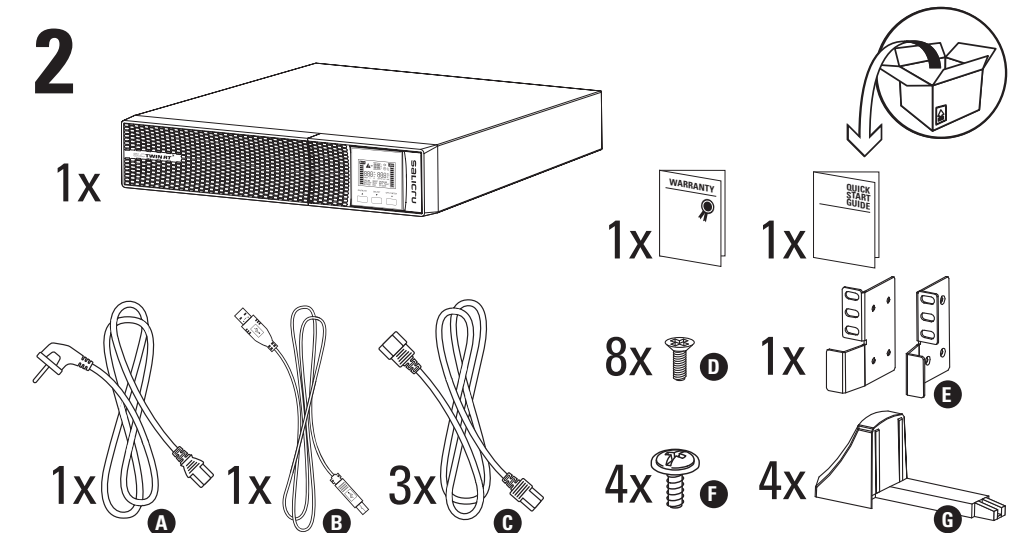
[www.salicru.com/safety](http://www.salicru.com/safety)



**SAFETY**  
**SÉCURITÉ**  
**SEGURANÇA**  
**سلامة**

**SEGURIDAD**  
**SAFETY**

2



[www.salicru.com/support](http://www.salicru.com/support)



USBHID



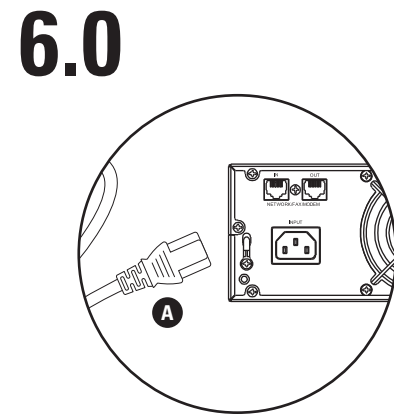
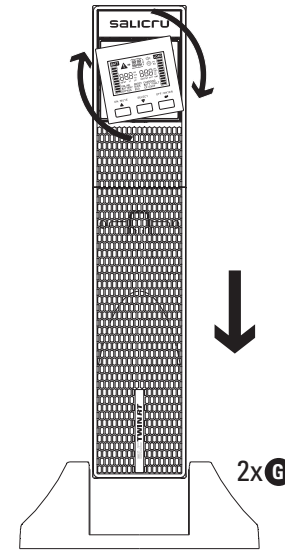
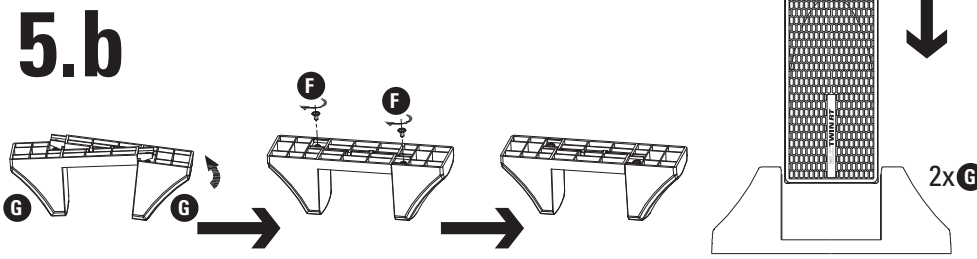
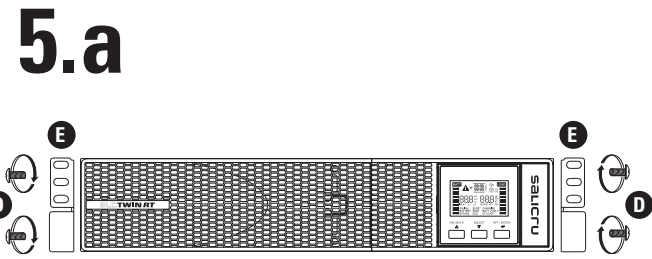
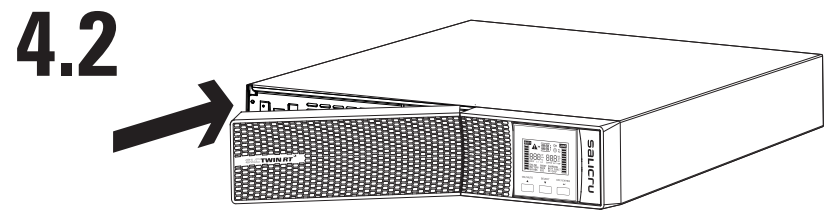
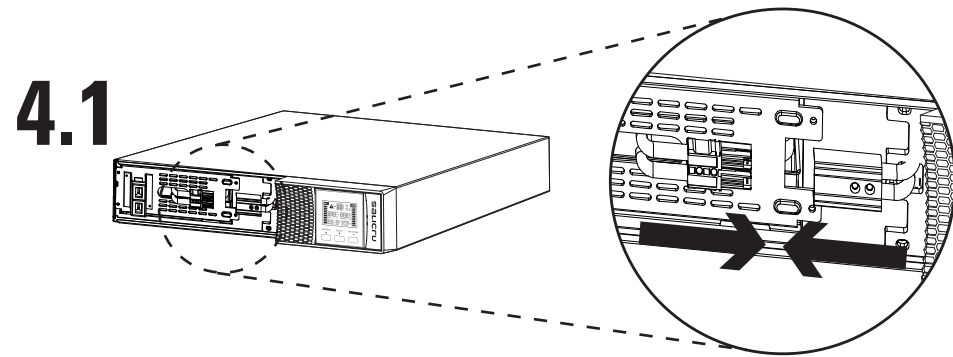
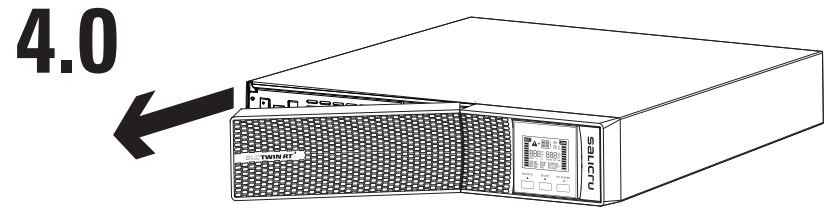
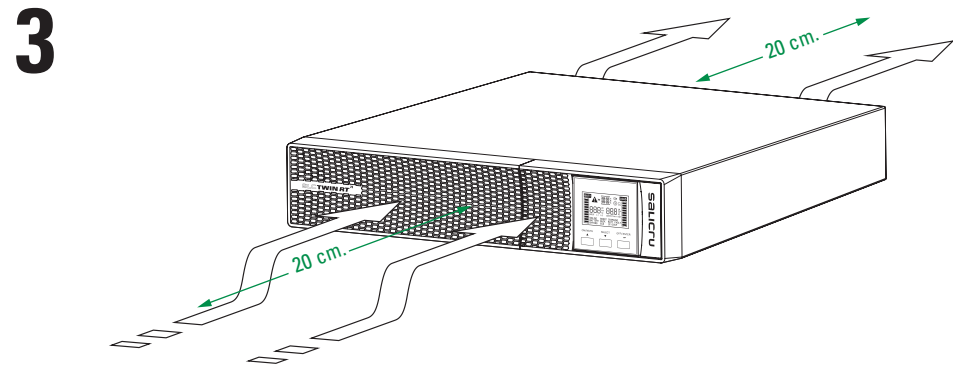
[www.salicru.com/support](http://www.salicru.com/support)

+34 938 482 400

[WWW.SALICRU.COM/SUPPORT](http://WWW.SALICRU.COM/SUPPORT)

[SST@SALICRU.COM](mailto:SST@SALICRU.COM)

**SALICRU**



220V / 230V / 240V   
 50 Hz / 60 Hz

