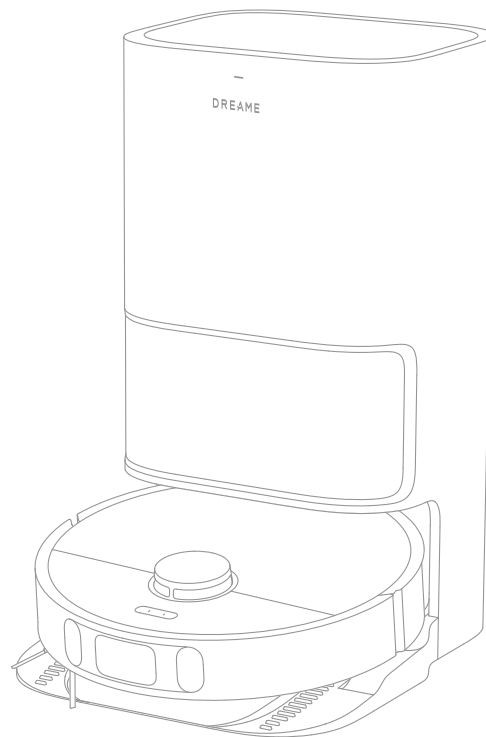


Dreame L10s **Ultra**

Robot Vacuum and Mop with
Self-Cleaning and Auto-Empty
User Manual



The illustrations in this manual are for reference only. Please refer to the actual product.

DREAME

Contents

EN	User Manual	1
DE	Benutzerhandbuch	27
FR	Manuel d'utilisation	55
IT	Manuale utente	82
ES	Manual de usuario	108
RU	Руководство пользователя	134
PL	Instrukcja obsługi	161
HE	מדריך למשתמש	189
AR	دليل الاستخدام	215
NL	Gebruikershandleiding	241

Safety Information

To avoid electric shock, fire or injury caused by improper use of the appliance, please read the user manual carefully before using the appliance and keep it for future reference.

Usage Restrictions

- This product should not be used by children younger than 8 years old nor persons with physical, sensory, intellectual deficiencies, or limited experience or knowledge without the supervision of a parent or guardian to ensure safe operation and to avoid any risks. Cleaning and maintenance shall not be performed by children without supervision.
- The appliance is only to be used with the power supply unit provided with the appliance.
- This appliance contains batteries that are only replaceable by skilled persons.
- Clear the area to be cleaned. Children shall not play with the appliance. Ensure children and pets are kept at a safe distance from the robot while it is operating.
- Do not install, charge or use the appliance in the bathrooms or around the pools.
- This product is for floor cleaning in a home environment only. Do not use it outdoors, on non-floor surfaces, or in a commercial or industrial setting.
- Ensure that the appliance operates correctly in a proper environment. Otherwise, do not use the appliance.
- If the power cord is damaged, it must be replaced by a special cord or assembly available from the manufacturer or its service agent.
- Do not use the robot in an area suspended above ground level without a protective barrier.

Safety Information

- Usage Restrictions**
- Do not place the robot upside down. Do not use the LDS cover, robot cover, or bumper as a handle for the robot.
 - Do not use the robot at an ambient temperature above 40°C or below 0°C or on a floor with liquids or sticky substances.
 - To prevent damage or harm from dragging, clear any loose objects from the floor, and remove cables or power cords on the cleaning path before operating the appliance.
 - Remove fragile or small items from the floor to prevent the robot from bumping into and damaging them.
 - Keep hair, fingers, and other body parts away from the suction opening of the robots.
 - Keep the cleaning tool out of reach of children.
 - Do not operate the appliance in a room where an infant or child is sleeping.
 - Do not place children, pets, or any item on top of the robot regardless of whether it is stationary or moving.
 - Keep the cleaner out of reach of children.
 - Use only the officially-approved detergent. Do not add any liquid such as alcohol or disinfectant.
 - Do not use the robot to clean any burning objects. Do not use the robot to pick up flammable or combustible liquids, corrosive gases, or undiluted acids or solvents.
 - Do not vacuum hard or sharp objects. Do not use the appliance to pick up objects such as stones, large pieces of paper or any item that may clog the appliance.

Safety Information

- Usage Restrictions**
- Plug must be removed from the socket-outlet before cleaning or maintaining the appliance.
 - Do not wipe the robot or the base station with a wet cloth or rinse them with any liquid. After cleaning washable parts, fully dry the parts before reinstalling and using them.
 - Please use this product in accordance with the instructions in the User Manual. Users are responsible for any loss or damage that arise from improper use of this product.

Batteries and Charging

- Do not use any third-party battery or base station. The robot can only be used with the model RCS9 base station.
- Do not attempt to disassemble, repair, or modify the battery or the base station on your own.
- Do not place the base station near a heat source.
- Do not use a wet cloth or wet hands to wipe or clean the base station's charging contacts.
- Do not improperly dispose of old batteries. Unneeded batteries should be discarded at an appropriate recycling facility.
- If the power cord becomes damaged or broken, stop using it immediately and contact after-sales service.
- Make sure the robot is turned off when being transported and kept in its original packaging if possible.
- If the robot will not be used for an extended period of time, fully charge it, then

Safety Information

Batteries and Charging

- turn it off and store it in a cool, dry place. Recharge the robot at least once every 3 months to avoid over-discharging the battery.
- The lithium-ion battery pack contains substances that are hazardous to the environment. Before disposing of the robot vacuum, please first remove the battery pack, then discard, or recycle it in accordance with local laws and regulations of the country or region it is used in.
- When removing the batteries from the product, it is better to use up the batteries and make sure your product is disconnected from power.
 - 1) Uninstall the screw on the bottom, then remove the cover.
 - 2) Unplug the battery connector, then remove the batteries. Do not damage the battery case to avoid any risk of injuries.
 - 3) Return the batteries to a professional recycling organization.

Laser Safety Information

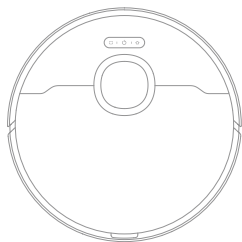
- The laser sensor in this product meets the IEC 60825-1:2014/EN 60825-1:2014/A11:2021 Standard for Class 1 laser products. Please avoid direct eye contact with it during use.

CLASS 1 LASER PRODUCT
CONSUMER LASER PRODUCT
EN 50689:2021

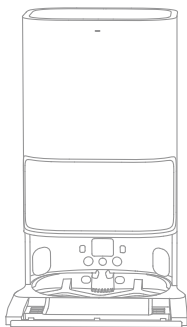
Hereby, Dreame Trading (Tianjin) Co., Ltd. declares that the radio equipment type RLS6LADC is in compliance with Directive 2014/53/EU. The full text of the EU declaration of conformity is available at the following internet address: <https://global.dreametech.com>
For detailed e-manual, please go to <https://global.dreametech.com/pages/user-manuals-and-faqs>

Product Overview

Package Contents



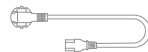
Robot



Base Station



Side Brush



Power Cord



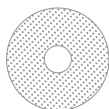
Cleaning Brush



Dust Collection Bag
(replacement)



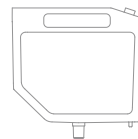
Base Station Ramp
Extension Plate



Mop Pad × 2
(pre-installed)



Mop Pad Holder × 2



Multi-Surface Floor
Cleaner

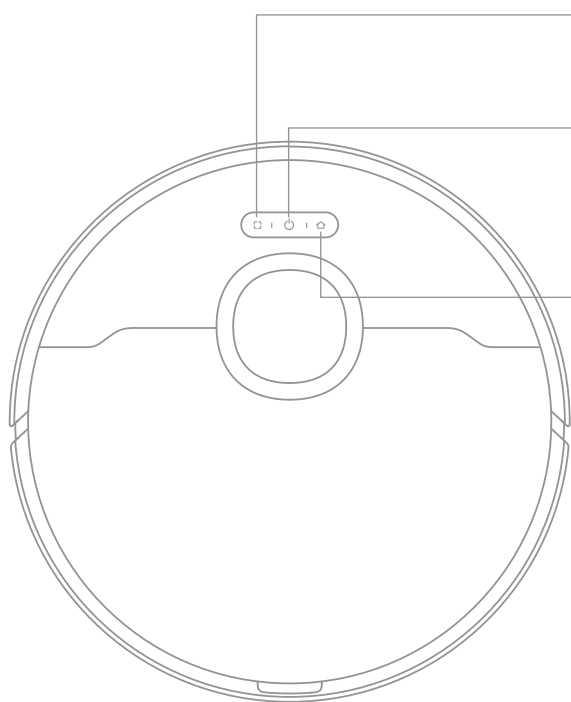


User Manual

Other Accessories

Product Overview

Robot



Spot Cleaning Button

- Press briefly to start spot cleaning

Power / Clean Button

- Press and hold for 3 seconds to turn on or off
- Press briefly to start cleaning after the robot is turned on

Dock Button

- Press briefly to send the robot back to the base station
- Press and hold for 3 seconds to disable Child Lock

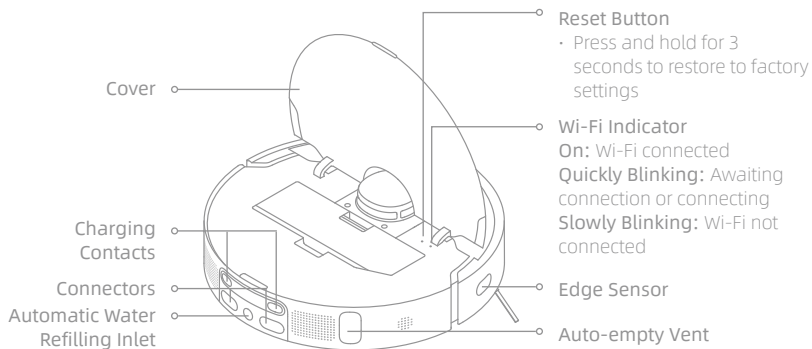
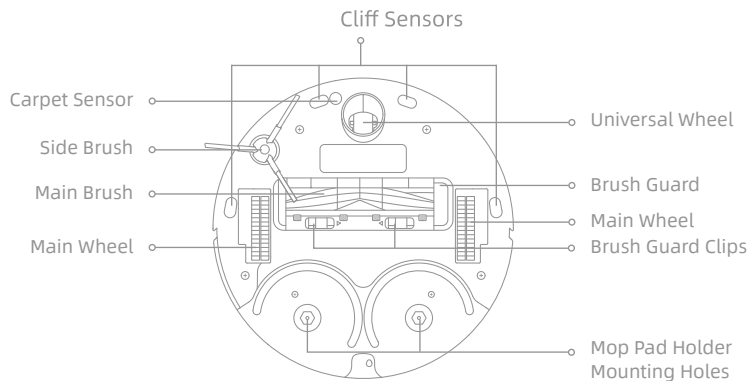
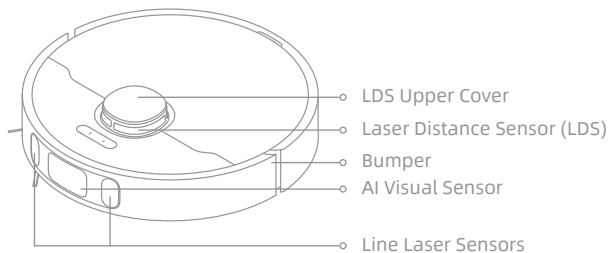
Status Indicator

- Solid White: Cleaning or cleaned
- Quickly Blinking Orange: Error
- Solid Orange: Low battery or paused

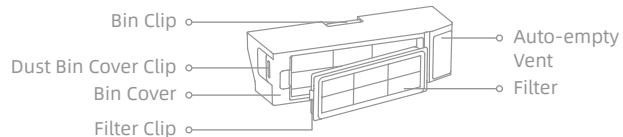
Note: Press any button to pause while the robot is cleaning or returning to charge.

Product Overview

Robot and Sensors

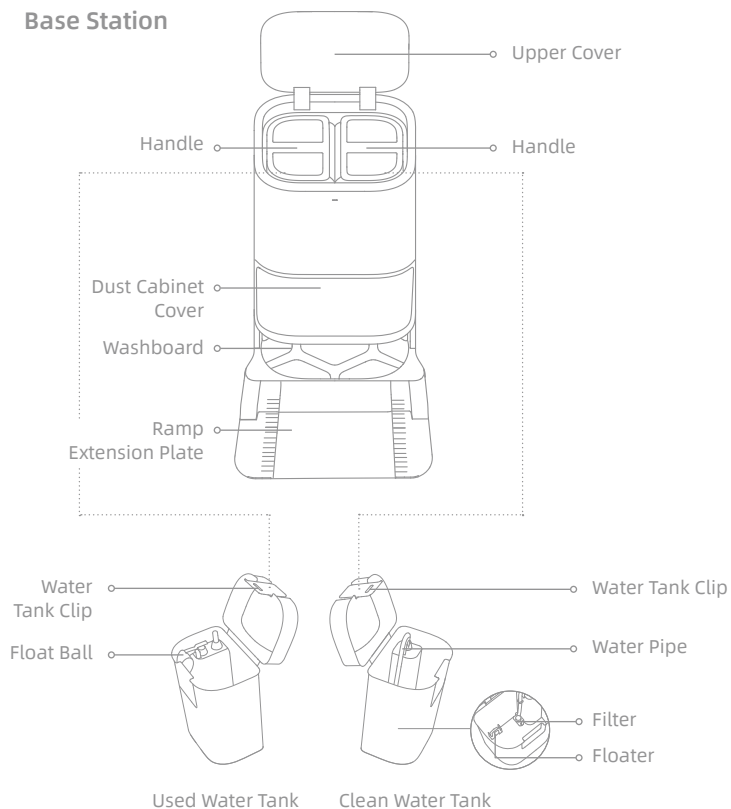


Dust Bin




Product Overview

Base Station



Base Station Buttons

Leave Button



- Briefly press to make the robot leave the base station
- When the robot is out of base, press and hold  button on the base station for 3 seconds to release clean water for base cleaning. Afterwards, press the button again for 3 seconds to pump out the used water.

Clean Button Briefly press to make the robot clean all areas

Dry Button Briefly press to make the base station start or stop drying the mop pads

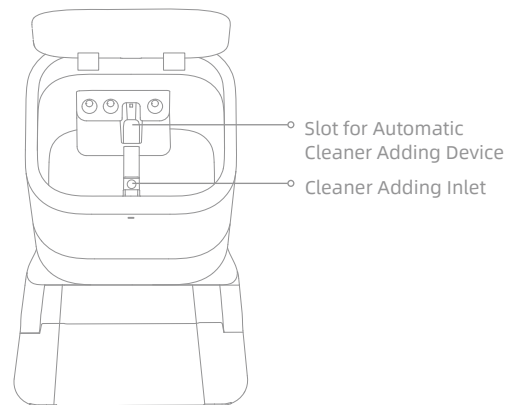
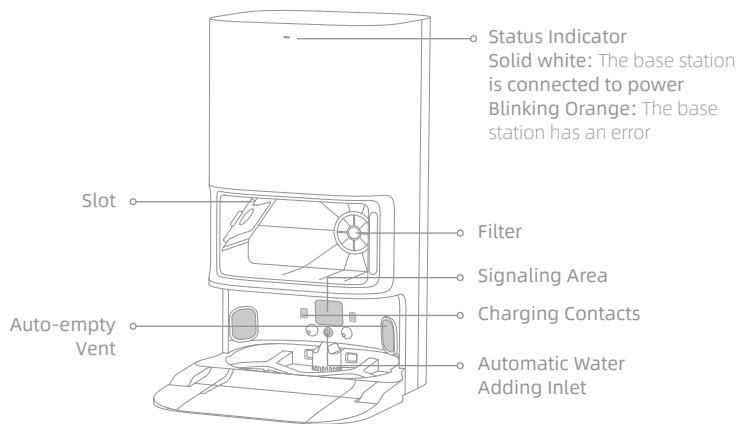
Note: The buttons on the base station will work only when the robot is placed onto the base station.

Child Lock

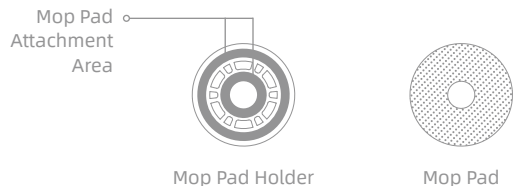
Press and hold the  and  buttons for 3 seconds to activate or deactivate Child Lock. After Child Lock is activated, all buttons on the robot and the base station are locked.

Product Overview

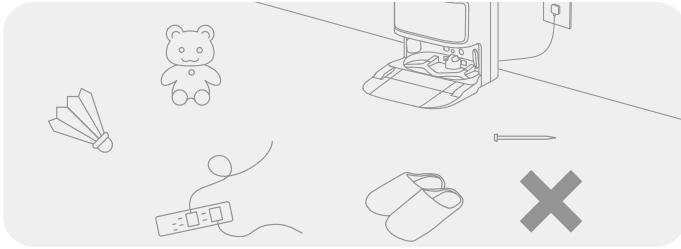
Base Station



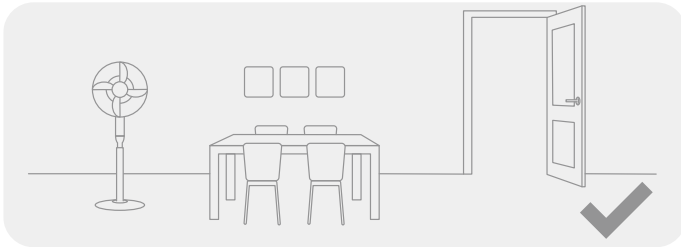
Mop Assembly



Preparing Your Home



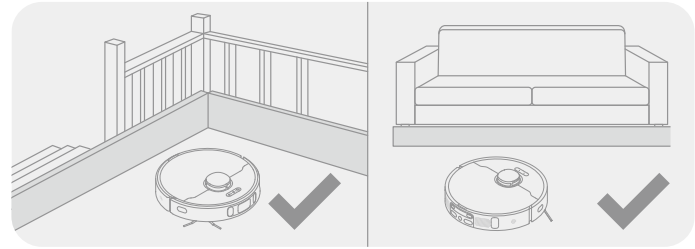
Before cleaning, please move away unstable, fragile, valuable or dangerous items, and clean up cables, cloths, toys, hard objects and sharp objects on the ground to avoid being entangled, scratched or knocked over by the robot and causing losses.



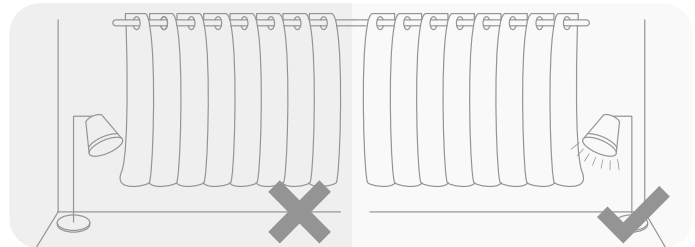
Open the door of the room to be cleaned, and put the furniture in its proper place to leave more space.

Note:

- When operating the robot for the first time, follow it around while cleaning to remove any potential obstacles in time.
- To prevent the robot from not recognizing areas that need to be cleaned, do not stand in front of the robot, threshold, hallway, or narrow places.
- Do not vacuum hard objects like stones, steel balls and toy parts, or sharp objects like construction waste, broken glass and nails, otherwise the ground may be scratched.



Before cleaning, place a physical barrier at the edge of the stairs and sofa to ensure the secure and smooth operations of the robot.

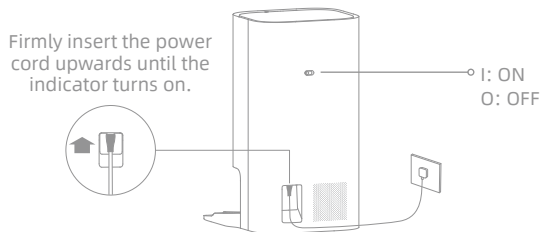


With the AI visual sensor, the robot can better recognize and avoid obstacles such as power cords, shoes, and socks, to get the most out of the AI visual sensor, make sure that all areas to be cleaned are well-lit.

Before Use

1. Connect to an Electrical Outlet

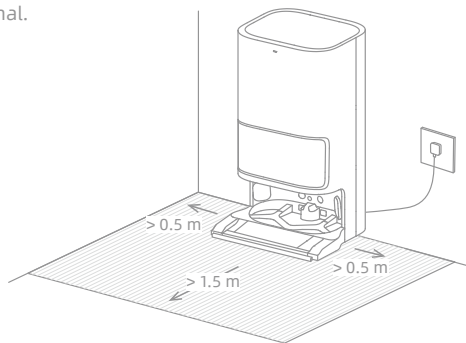
Insert the power cord into the base station and plug it into the socket.



2. Place the Base Station

Remove any objects that are closer than 1.5 m from the front, 1 m from the top, and 0.5 m from either side of the base station.

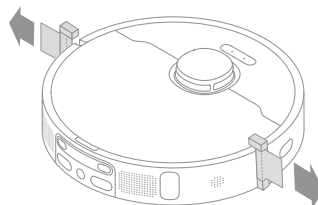
📶 Place the base station in a location that is as open as possible with a good Wi-Fi signal.



Note:

- Make sure that no objects might block the signaling area.
- To prevent water stains from wetting wood floors or carpets, placing the base station on tile floors or marble floors is recommended.

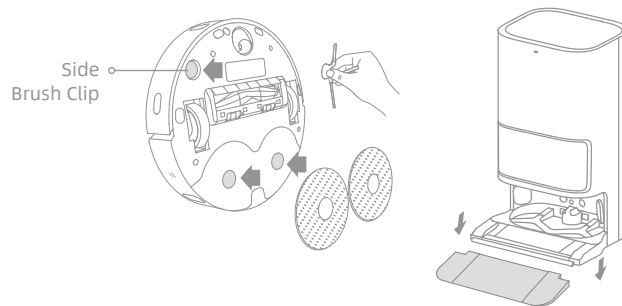
3. Remove the Protective Strips



4. Install the Main Accessories

Install the side brush and mop assembly into proper place.

Install the base station ramp extension plate down to the base station.

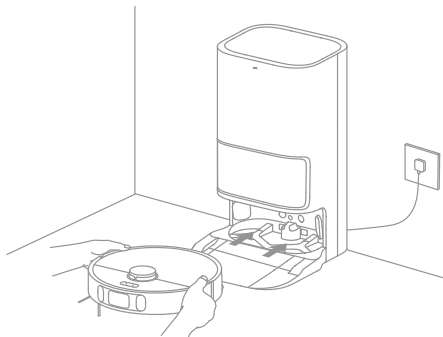


Note: Install the side brush until it clicks into place.

Before Use

5. Place the Robot

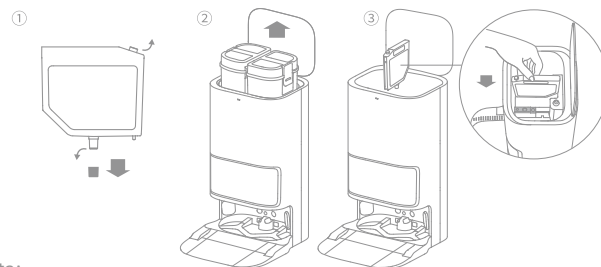
Press and hold the power button on the robot for 3 seconds to turn it on. Place the robot onto the base station with the mop assembly facing toward the washboard. Then you will hear a voice notification when the robot successfully connects to the base station and starts charging. After the robot is fully charged, the status indicators on the robot and the base station will remain lit for 10 minutes and will then dim.



Note: It is recommended to fully charge the robot before its first use. When the robot cannot be turned on after the battery is depleted, manually connect the robot with the station to charge it.

6. Install the Cleaner Bottle

Remove the cap of the cleaner bottle, and tear off the seals on the upper and bottom of the bottle. Open the upper cover of the base station and take out the clean water tank and the used water tank. Install the cleaner bottle along the slot into place. The cleaner will be added automatically while working.

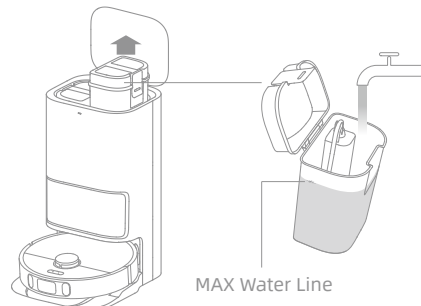


Note:

- Remove the soft rubber plug in the cleaner adding inlet before first use.
- Do not add any liquid other than the officially-approved cleaner to help prevent base station malfunction.

7. Add Water to the Clean Water Tank

Fill the clean water tank with clean water up to the maximum water level mark, and then install the clean water tank and the used water tank in place.



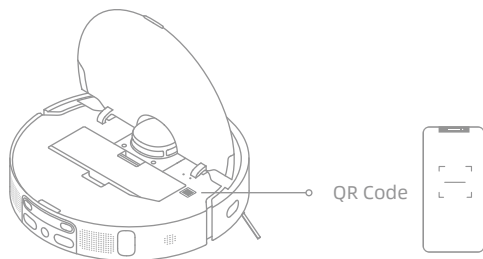
Note: Do not add hot water to the water tank, as this may cause the tank to become deformed.

Connecting with Dreamehome App

This product works with the Dreamehome app which can be used to control your device.

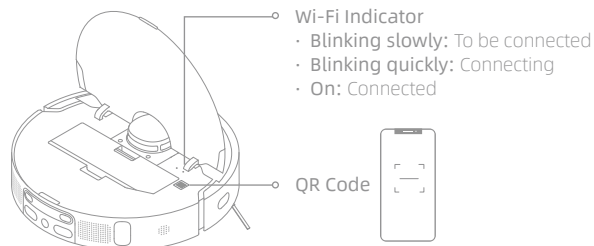
1. Download the Dreamehome App

Scan the QR code on the robot, or search for "Dreamehome" in the app store to download and install the app.



2. Add Device

Open the Dreamehome App, tap "+" in the upper right corner, and scan the same QR code again to add "Dreame L10s Ultra". Please follow the prompts to finish the Wi-Fi connection.



Note:

- Only 2.4GHz Wi-Fi is supported.
- Due to upgrades in the app software, the actual operations may differ from the directions in this manual. Please follow the instructions based on the current app version.

3. Reset Wi-Fi

Simultaneously press and hold the power button and dock button until you hear a voice prompt say, "Waiting for the network configuration." Once the Wi-Fi indicator is blinking slowly, the Wi-Fi has been successfully reset.

Note:

- If your robot cannot connect to the app successfully, reset the Wi-Fi and add the device again.
- To disconnect the device from Wi-Fi network, press and hold the Reset button on the robot for 3 seconds.

How to Use

Fast Mapping

After configuring the network for the first time, follow the instructions on the app to quickly create a map, and the robot will start mapping without cleaning. The mapping process will be completed when the robot returns to the station, and the map will be saved automatically.

Turn On/Off

Press and hold the power button for 3 seconds to turn on the robot. The power indicator should be illuminated. Place the robot onto the base, the robot should turn on automatically and begin charging. To turn off the robot, move the robot away from the base station and press and hold the power button for 3 seconds.

Pause/Sleep

When the robot is running, press any button to pause it. If the robot is paused for more than 10 minutes, it automatically enters sleep mode. The power indicator and charging indicator will turn off. Press any button on the robot or base, or use the app to wake up the robot.

Note:

- The robot will turn off automatically if it is left in the sleep mode for more than 12 hours.
- If the robot is paused and placed onto the base station, the current cleaning process will end.


Do Not Disturb (DND) Mode

When the robot is set to the Do Not Disturb (DND) mode, the robot will be prevented from resuming cleaning and the power indicator goes out. The DND mode is disabled by default at the factory. You can use the app to enable the DND mode or modify the DND period. The DND period is 22:00-8:00 by default.

Note:

- The scheduled cleaning tasks will be performed on time during the DND period.
- The robot will resume cleanup where it left off after the DND period expires.

Spot Cleaning

When the robot is awaiting, press briefly the button  to enable the spot cleaning mode. In this mode, the robot cleans a square-shaped area of 1.5 x 1.5 meters around it and returns to its starting point once the spot cleaning is completed.

Robot Restarting

If the robot stops responding or cannot be turned off, press and hold the power button for 10 seconds to forcefully turn it off. Then, press and hold the power button for 3 seconds to turn the robot on.

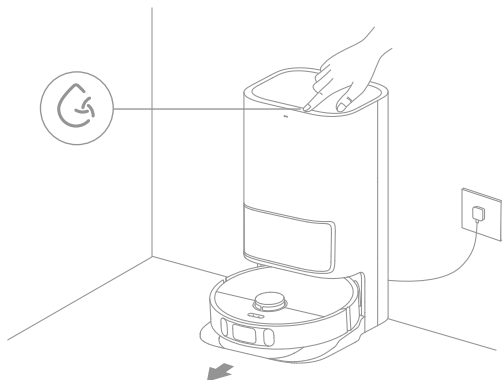
How to Use

Sweeping & Mopping

Note: When using the mop assembly for the first time, the robot performs the sweeping and mopping task by default.

1. Start sweeping and mopping

Press the clean button on the base station or the power button on the robot, or use the app to make the robot start from the base station. Then the robot will plan the optimal cleaning route and perform the cleaning task based on the created map.

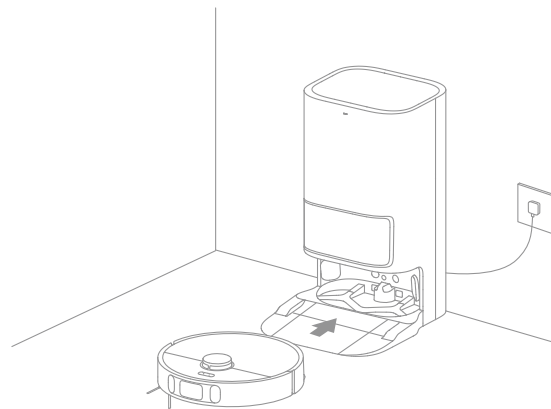


Note:

- The mop pads will be cleaned before the robot starts mopping, please wait with patience.
- Do not move the base station, the clean water tank, the used water tank, or the washboard during its working.

2. Return to clean mop pads midway

During mopping, the robot will automatically return to the base station to wash mop pads based on the mop pad cleaning frequency specified on the app. Then the base station will automatically refill the water tank of the robot, and the robot will resume the cleanup after water refilling.

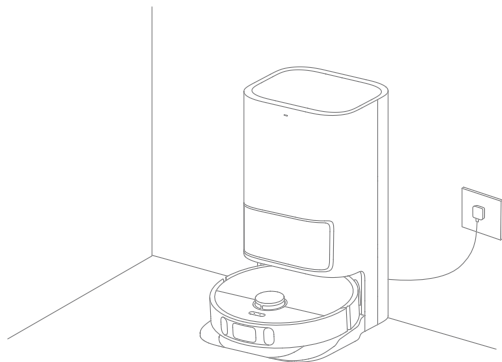


Note: If the robot returns to the base station to clean mop pads midway, the base station will not automatically empty the dust bin.

How to Use

3. Clean and dry mop pads after dust emptying

After the robot finishes a cleaning task and returns to the base station to charge, the base station will automatically start emptying the dust bin, and then clean and dry the mop pads.



Note:

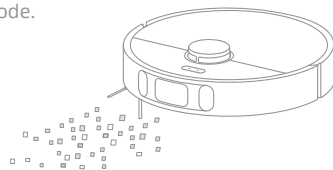
- When the robot returns midway to the base station to clean mop pads, the base station will not automatically empty the dust bin.
- If the auto-empty function is turned off in the app, the base station will not automatically empty the dust bin.
- The base station will empty the dust bin according to the frequency set in the app.

4. Clean the used water tank

After the robot has completed the task, please clean the used water tank to avoid any odor.

Sweeping

To use only the sweeping function, select "Sweeping" on the app, or remove the mop assembly from the robot and the robot will automatically switch to the sweeping mode.



Note: If the mop assembly is not removed from the robot, you can select the sweeping mode on the app, and the robot will automatically lift the mop assembly before sweeping.

Make sure that the base station is connected to power and the robot is connected with the base station. Press the clean button on the base station or the power button on the robot, or use the app to make the robot start from the base station.

Note: To ensure the robot can easily return to the base station after cleaning, it is recommended to make the robot start from the base station and avoid moving the base station during cleaning.

Routine Maintenance

Parts

To keep the robot in good condition, it is recommended to refer to the following table for routine maintenance.

Part	Maintenance Frequency	Replacement Period
Used water tank	After each use	/
Clean water tank	Once every 2 weeks	
Main Brush		Every 6 to 12 months
Dust bin filter		Every 3 to 6 months
Side brush		
Washboard	Once every month	/
Base station's signaling area		
Base station's charging contacts		
Base station's auto-empty vent		
Universal wheel		
Edge sensor		
Laser Distance Sensor (LDS)		
Line laser sensor		

Part	Maintenance Frequency	Replacement Period
AI Visual Sensor	Once every month	/
Carpet Sensor		
Cliff Sensors		
Charging Contacts on Robot		
Bumper		
Robot's auto-empty vent		
Robot's automatic water refilling inlet		
Bottom of the robot		
Cleaner Adding Inlet		
Dust bin	Clean it as needed	
Dust collection bag	/	6-8 weeks
Mop pad		Every 1 to 3 months

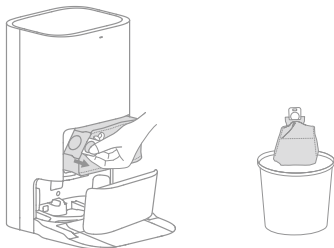
Note: The replacement frequency will depend on your usage of the robot. If an exception occurs due to special circumstances, the parts should be replaced.

Routine Maintenance

Dust Collection Bag

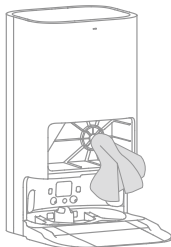
When the dust collection bag needs to be replaced, a notification will appear in the app.

1. Discard the dust collection bag.

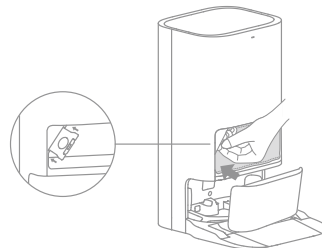


Note: Pulling upwards on the handle will seal the bag to prevent the dust and debris from accidentally falling out.

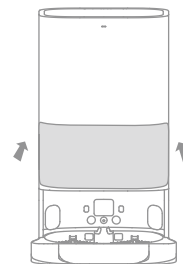
2. Remove the dust and debris from the filter with a dry cloth.



3. Install a new dust collection bag.



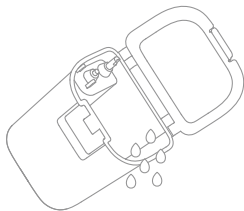
4. Close the cover of the dust cabinet.



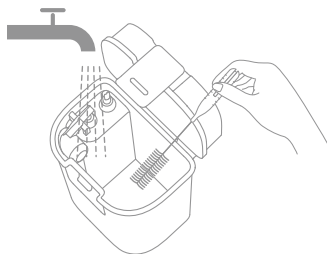
Routine Maintenance

Used Water Tank

1. Remove the used water tank, open its cover and pour out the dirty water.



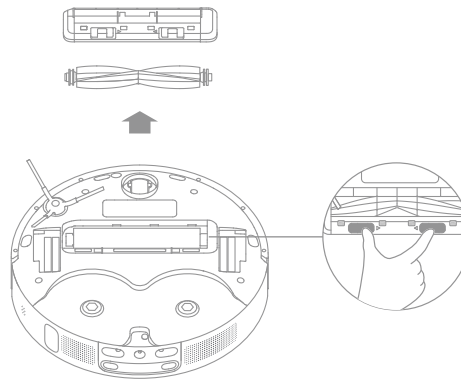
2. Rinse the used water tank with clean water, and use the provided cleaning brush to clean the inner wall of the used water tank.



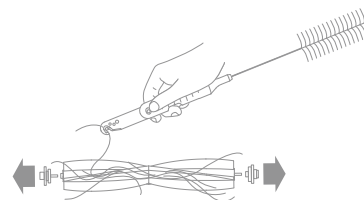
Note: The float ball in the used water tank is a movable part. Do not apply too much force when cleaning it to avoid damaging it.

Main Brush

1. Press the brush guard clips inwards to remove the brush guard and lift the brush out of the robot.



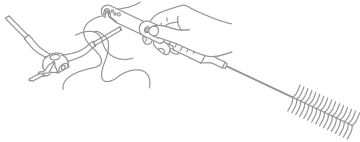
2. Pull out the brush covers as shown in the diagram. Use a proper tool to remove the hair tangled in the brush.



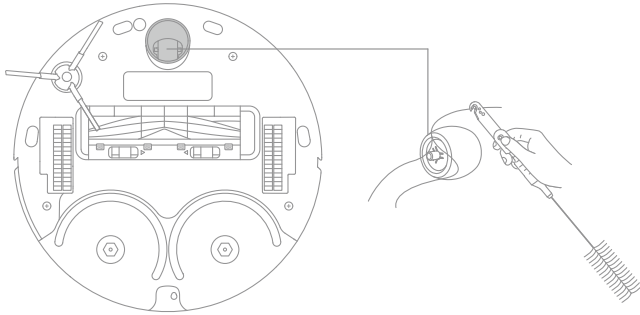
Routine Maintenance

Side Brush

Remove and clean the side brush.



Universal Wheel

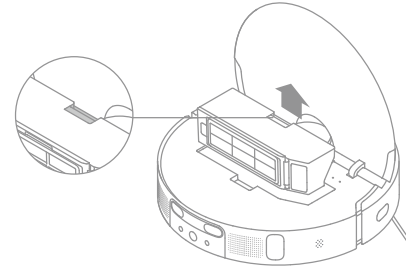


Note:

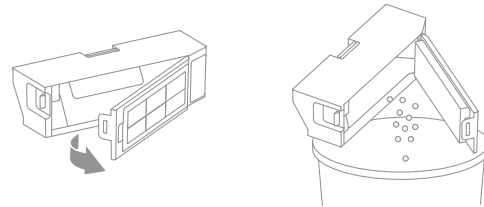
- Use a tool such as a small screwdriver to separate the axle and tire of the universal wheel. Do not use excessive force.
- Rinse the universal wheel under the running water and put it back after drying it completely.

Dust Bin

1. Open the robot cover and press the bin clip to remove the dust bin.



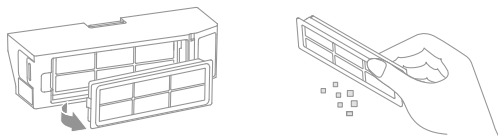
2. Open the bin cover and empty the bin as shown in the diagram.



Routine Maintenance

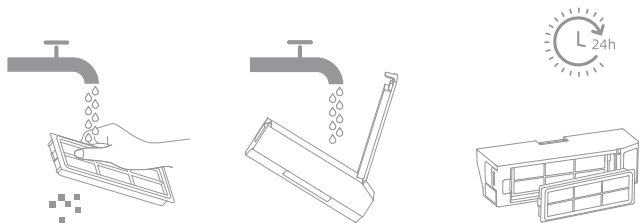
Filter

1. Remove the filter and tap its basket gently.



Note: Do not attempt to clean the filter with a brush, a finger or sharp objects to prevent damage.

2. Rinse the dust bin and filter with water and dry them completely before reinstalling.



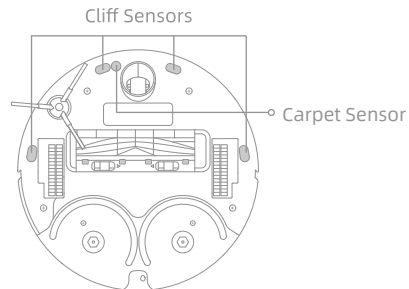
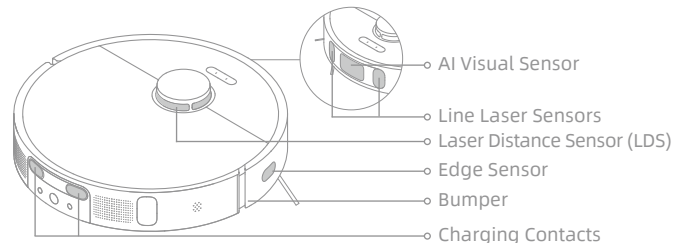
Note:

- Rinse the dust bin and filter with clean water only. Do not use any detergent.
- Use the dust bin and filter only when they are completely dry.

Robot Sensors and Charging Contacts

Wipe sensors and charging contacts of the robot by using a soft, dry cloth:

- The cliff sensors and the carpet sensor on the bottom of the robot
- Charging contacts at the back of the robot
- The edge sensor on the side of the robot
- LDS on the top of the robot
- The bumper, the AI visual sensor, and the line laser sensors on the front of the robot

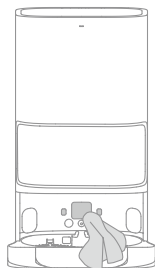


Note: Wet cloth can damage sensitive elements within the robot and the base station. Please use dry cloth for cleaning.

Routine Maintenance

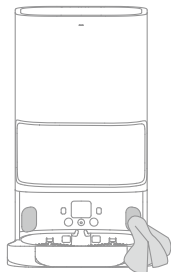
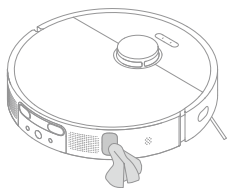
Charging Contacts

Clean the charging contacts and the signaling area of the base station with a soft, dry cloth.



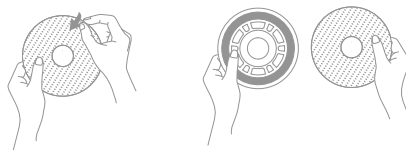
Auto-empty Vents

Clean the auto-empty vents of the robot and the base station with a soft, dry cloth.



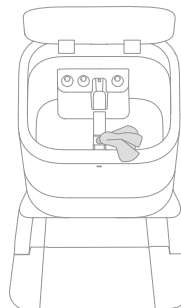
Mop Pad

Remove the mop pad from the mop pad holder to replace it.



Cleaner Adding Inlet

If the cleaner adding inlet is dirty, wipe it with a soft, dry cloth.



Battery

The robot contains a high-performance lithium-ion battery pack. Make sure that the battery remains well-charged for daily use to maintain optimal battery performance. If the robot is not used for an extended period of time, turn it off and put it away. To prevent damages from over-discharging, charge the robot at least once every three months.

Problem	Solution
The robot will not turn on.	<p>The battery is low. Recharge the robot on the base and try again.</p> <p>The temperature of the battery is too low or too high. It is recommended to operate the appliance at a temperature between 32°F (0°C) and 104°F (40°C).</p>
The robot will not charge.	<p>The base station is not connected to power, please make sure both ends of its power cord are correctly plugged in.</p> <p>The contact between the charging contacts on the base station and the robot is poor, please clean the charging contacts.</p> <p>Check whether there is any foreign object at the connector of the robot and remove the foreign object if any.</p>
The robot fails to connect to Wi-Fi.	<p>The Wi-Fi network password is incorrect. Make sure the password used to connect to your Wi-Fi network is correct.</p> <p>The robot does not support a 5 GHz Wi-Fi connection. Make sure the robot is connected to a 2.4 GHz Wi-Fi connection.</p> <p>The Wi-Fi signal is weak. Make sure the robot is in an area with good Wi-Fi coverage.</p> <p>The robot may not be ready to be configured. Please exit and re-enter the app, and then try again as instructed.</p>
The robot cannot find and return to the base station.	<p>The base station is disconnected from power or moved when the robot is not on it.</p> <p>There are too many obstructions around the base station. Place the base station in a more open area.</p> <p>Moving the robot may cause it to re-position itself, and it will recreate a map if re-positioning fails. If the robot is too far from the base station, it might not be able to automatically return on its own, in which case you will need to manually place the robot onto the base station.</p> <p>Wipe the signaling area on the base station to remove dust or debris.</p>
The robot gets stuck in front of the base station and cannot return to it.	<p>Clear any obstruction within 0.5 m on the left and right sides or within 1.5 m in front of the base station to prevent the robot from being blocked.</p> <p>The route for returning to charge is blocked, e.g. the door is closed.</p> <p>The robot may slip if the floor in front of the base station is overly wet. If so, clean the excess water before trying again.</p> <p>It is recommended to move the base station to a different place and try again.</p>

Problem	Solution
The robot will not turn off.	The robot cannot be turned off when it is charging. It is recommended to move the robot from the base station, and then press and hold the power button for 3 seconds to turn it off. If the robot cannot be turned off by performing step 1, press and hold the power button for 10 seconds to forcibly turn off the robot. If the problem persists, please contact after-sales service.
The charging speed is slow.	It takes about 6 hours to fully charge the robot when its battery is low. If you operate the robot at temperatures outside of the specified range, the charging speed will automatically slow down to extend the battery life. The charging contacts on both the robot and the base may be dirty, please wipe them with a dry cloth.
The noise increases while the robot is operating.	Check whether the dust bin filter is clogged. If so, clean it or replace it. A hard object may be caught in the main brush or the dust bin. Check and remove any hard object. The main brush or the side brush may become tangled. Check and remove any foreign objects. Switch the suction mode to Standard or Quiet.
The robot moves without following the set route.	Objects such as power cords and slippers should be organized before using the robot. Working on wet slippery surfaces causes the main wheel to slip. It is recommended to dry the wet places before using the robot. Wipe the line laser sensors and the AI visual sensor on the robot with a clean, soft cloth to keep them clean and unobstructed.
The robot misses the rooms to be cleaned.	Make sure that the doors of the rooms to be cleaned are open. Check whether there is a threshold higher than 2 cm at the door of the room. The robot cannot climb over high thresholds or steps. The place in front of the room to be cleaned is wet and slippery, causing the robot to slip and work abnormally. It is recommended to dry the floor before using the robot.

FAQ

Problem	Solution
The robot will not resume cleaning after charging.	Make sure that the robot is not set to the Do Not Disturb (DND) mode, which will prevent it from resuming cleaning. The robot will not resume cleaning after you manually return the robot to the base station to charge, which includes manually placing the robot on the base station or sending the robot to charge via the app or the robot itself.
The robot does not respond while pressing the buttons on the base station.	The robot may be out of the base station's wireless range. Manually return the robot to the base station or use the app to return it.
The station cannot automatically empty the dust bin.	Check whether the dust collection bag in the dust cabinet is full. If the dust collection bag is not full, check whether there is any obstruction at the auto-empty vents of the robot, the base station, or the dust bin. If any, clean the blocked part in time.
The water level in the washboard is abnormal.	Check whether the seal on the used water tank is loose or not correctly installed, and manually reset it if so. Gently press down on the used water tank to make sure it is installed correctly. Remove the washboard and check whether the sewage drain is blocked and clean it. Check the cleaner. Do not add any liquid other than the officially-approved cleaner. If the problem persists, please contact the after-sales service team.

For additional services, please contact us via <https://global.dreametech.com>

Specifications

Robot

Model	RLS6LADC
Charging Time	Approx. 6 hours
Rated Voltage	14.4 V ---
Rated Power	75 W
Operation Frequency	2400-2483.5 MHz
Maximum Output Power	<20 dBm

Base Station/Charging Dock

Power consumption in off mode: ≤ 0.3 W

Power consumption in standby mode: ≤ 0.5 W (within 15 minutes after the robot leaves the base station/charging dock)"

Robot&Base Station/Charging Dock

The equipment does not have a standby mode or other equivalent states in terms of standby requirements, power management function, or the ability to deactivate wireless network connections due to battery maintenance needs.

The power consumption of the equipment is likely to be higher than other equipment models meeting these functional requirements.

WEEE Information



All products bearing this symbol are waste electrical and electronic equipment (WEEE as in directive 2012/19/EU) which should not be mixed with unsorted household waste. Instead, you should protect human health and the environment by handing over your waste equipment to a designated collection point for the recycling of waste electrical and electronic equipment, appointed by the government or local authorities. Correct disposal and recycling will help prevent potential negative consequences to the environment and human health. Please contact the installer or local authorities for more information about the location as well as terms and conditions of such collection points.

Base Station

Model	RCS9
Rated Input	220-240 V~ 50-60 Hz
Rated Output	20 V --- 2 A
Power (during dust emptying)	1000 W
Power (during cleaning)	55 W
Power (drying and charging)	78 W

Under normal use of condition, this equipment should be kept a separation distance of at least 20 cm between the antenna and the body of the user.

Sicherheitsinformationen

Um Stromschläge, Brände oder Verletzungen durch unsachgemäßen Gebrauch des Geräts zu vermeiden, lesen Sie bitte die Bedienungsanleitung vor dem Gebrauch sorgfältig durch und bewahren Sie sie zum späteren Nachschlagen auf.

Nutzungseinschränkungen

- Um einen sicheren Betrieb zu gewährleisten und Risiken zu vermeiden, darf dieses Produkt nicht von Kindern unter 8 Jahren, von Personen mit körperlichen, sensorischen oder geistigen Einschränkungen oder von Personen mit mangelnden Kenntnissen ohne Aufsicht eines Elternteils oder Vormunds verwendet werden. Kinder dürfen die Reinigung und Wartung nicht ohne Aufsicht durchführen.
- Das Gerät darf nur mit dem zum Gerät mitgelieferten Netzteil verwendet werden.
- Dieses Produkt enthält Akkus, die nur von qualifizierten Personen ausgewechselt werden dürfen.
- Der zu reinigende Bereich muss freigeräumt werden. Kinder dürfen nicht mit diesem Produkt spielen. Achten Sie darauf, dass Kinder und Haustiere während des Betriebs des Roboters einen sicheren Abstand zum Gerät halten.
- Installieren, laden oder verwenden Sie das Gerät nicht in den Badezimmern oder in der Nähe der Pools.
- Dieses Produkt ist nur für die Bodenreinigung in einer häuslichen Umgebung geeignet. Benutzen Sie es nicht im Freien, auf anderen Oberflächen als dem Boden oder in einer kommerziellen oder industriellen Umgebung.
- Stellen Sie sicher, dass das Gerät in einer geeigneten Umgebung ordnungsgemäß betrieben wird. Andernfalls dürfen Sie das Gerät nicht verwenden.

Sicherheitsinformationen

Nutzungseinschränkungen

- Wenn das Stromkabel beschädigt ist, schalten Sie das Gerät sofort aus und wenden Sie sich an den Kundendienst.
- Verwenden Sie den Roboter nicht in einem Bereich, der sich über dem Bodenniveau befindet und der nicht durch eine Schutzbarriere begrenzt wird.
- Stellen Sie den Roboter nicht auf den Kopf. Verwenden Sie die LDS-Abdeckung, die Roboterabdeckung oder den Bumper nicht als Griff für den Roboter.
- Benutzen Sie den Roboter nicht in Umgebungen, in denen die Temperaturen über 40 °C oder unter 0 °C liegen, und auch nicht auf Böden mit Flüssigkeiten oder klebrigen Substanzen.
- Entfernen Sie lose Gegenstände vom Boden und entfernen Sie Kabel oder Netzkabel am Reinigungsweg, bevor Sie das Gerät in Betrieb nehmen, um Schäden oder Verletzungen durch Schleifen zu vermeiden.
- Entfernen Sie zerbrechliche oder kleine Gegenstände vom Boden, um zu verhindern, dass der Roboter sie anstößt und beschädigt.
- Halten Sie Haare, Finger und andere Körperteile von der Saugöffnung des Roboters fern.
- Halten Sie das Reinigungswerkzeug außerhalb der Reichweite von Kindern.
- Betreiben Sie das Gerät nicht in einem Raum, in dem ein Säugling oder ein Kind schläft.
- Kinder, Haustiere oder Gegenstände dürfen weder auf dem stillstehenden noch dem sich bewegenden Roboter positioniert werden.

Nutzungseinschränkungen

- Außer Reichweite von Kindern bewahren Sie den Roboter auf.
- Verwenden Sie nur das offiziell zugelassene Reinigungsmittel. Nicht Es darf nicht jede Flüssigkeit wie Alkohol oder Desinfektionsmittel gleich hinzugefügt werden.
- Benutzen Sie den Roboter nicht zum Aufwischen oder Aufsaugen brennender Substanzen. Verwenden Sie den Roboter nicht zum Aufsaugen von entflammaren oder brennbaren Flüssigkeiten, ätzenden Gasen oder unverdünnten Säuren oder Lösungsmitteln.
- Saugen Sie keine harten oder scharfen Gegenstände ein. Verwenden Sie das Gerät nicht zum Aufnehmen von Gegenständen wie Steinen, großen Papierstücken oder anderen Dingen, die das Gerät verstopfen könnten.
- Bitte schalten Sie das Gerät vor der Reinigung und Wartung aus und ziehen Sie den Netzstecker.
- Wischen Sie den Roboter oder die Basisstation nicht mit einem feuchten Tuch ab oder spülen Sie sie nicht mit Flüssigkeit aus. Nach der Reinigung waschbarer Teile, trocknen Sie die Teile vollständig, bevor Sie sie wieder einbauen und verwenden.
- Bitte verwenden Sie das Produkt gemäß den Anweisungen im Benutzerhandbuch. Der Benutzer ist für jeglichen Verlust oder Schaden verantwortlich, der aufgrund inkorrektter Verwendung dieses Produkts entsteht.

Akkus und Ladung

- Verwenden Sie keine Batterien oder Basisstationen von externen Anbietern. Der Roboter kann nur mit der Basisstation Modell RCS9 verwendet werden.
- Versuchen Sie nicht, die Batterie oder die Basisstation selbst zu zerlegen, zu reparieren oder zu modifizieren.
- Stellen Sie die Basisstation nicht in die Nähe einer Wärmequelle.
- Verwenden Sie kein feuchtes Tuch oder nasse Hände, um die Ladkontakte der Basisstation abzuwischen oder zu reinigen.
- Entsorgen Sie alte Akkus sachgemäß. Unbenutzte Akkus sollten in einer geeigneten Recycling-Einrichtung entsorgt werden.
- Wenn das Stromkabel beschädigt ist, schalten Sie das Gerät sofort aus und wenden Sie sich an den Kundendienst.
- Stellen Sie sicher, dass der Roboter beim Transport ausgeschaltet ist und möglichst in der Originalverpackung befördert wird.
- Wenn der Roboter für eine längere Zeit nicht benutzt werden soll, laden Sie ihn voll auf, schalten ihn aus und lagern ihn an einem kühlen und trockenen Ort. Laden Sie den Roboter mindestens je 3 Monate auf, um eine Tiefentladung des Akkus zu vermeiden.
- Der Lithium-Ionen-Akku enthält umweltgefährdende Stoffe. Bevor der Roboterstaubsauger entsorgt wird, muss zunächst der Akku entfernt werden, anschließend muss in Übereinstimmung mit den lokalen Gesetzen und Vorschriften des Landes oder der Region, in dem er benutzt wurde, eine Entsorgung oder Wiederverwertung stattfinden.

Sicherheitsinformationen

Akkus und Ladung

· Es ist besser, den Akku erst aus dem Produkt zu entnehmen, wenn er vollständig aufgebraucht ist. Dabei muss sichergestellt werden, dass Ihr Produkt von der Spannungsversorgung getrennt ist.

- 1) Entfernen Sie die Schraube an der Unterseite und nehmen Sie die Abdeckung ab.
- 2) Ziehen Sie den Akkuanschluss ab und nehmen Sie anschließend den Akku heraus. Beschädigen Sie den Akku nicht, um Verletzungen vorzubeugen.
- 3) Geben Sie den Akku an eine Recyclingstelle zurück.

Lasersicherheitsinformationen

· Der Lasersensor in diesem Produkt entspricht der Norm IEC 60825-1:2014/EN 60825-1:2014/A11:2021 für Laserprodukte der Klasse 1. Bei der Verwendung ist direkter Augenkontakt zu vermeiden.

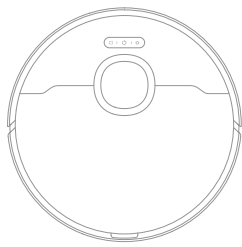
LASERPRODUKT DER KLASSE 1

LASERPRODUKT FÜR VERBRAUCHER

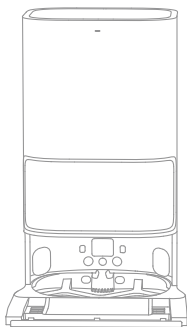
EN 50689:2021

Hiermit bestätigt, Dreame Trading (Tianjin) Co., Ltd. dass das Funkgerät des Typs RLS6LADC mit der Verordnung 2014/53/EU in Einklang steht. Der vollständige Wortlaut der EU-Konformitätserklärung ist unter der folgenden Internetadresse abrufbar: <https://global.dreametech.com>
Ein detailliertes elektronisches Handbuch finden Sie unter <https://global.dreametech.com/pages/user-manuals-and-faqs>

Packungsinhalt



Roboter



Basisstation



Seitenbürste



Netzkabel



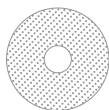
Reinigungsbürste



Staubsammelbeutel
(Ersatz)



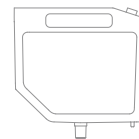
Rampe der Basisstations-
Verlängerungsplatte



Wischmopp × 2
(vorinstalliert)



Mophalter × 2



Mehrflächiger
Bodenreiniger

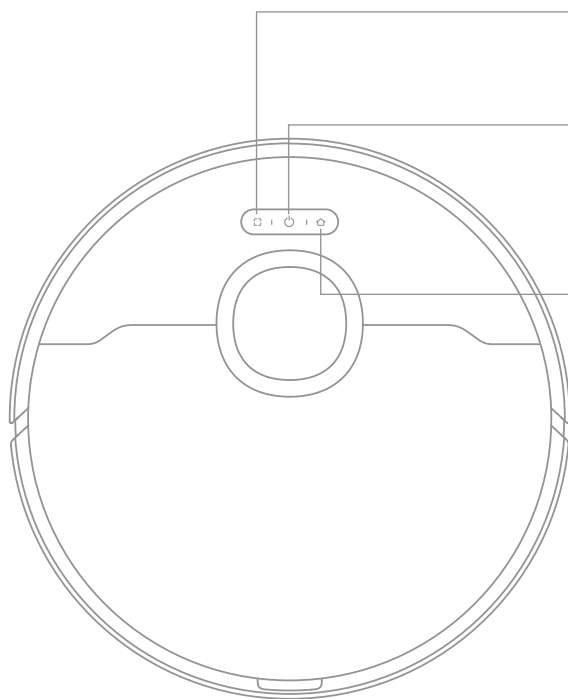


Benutzerhandbuch

Anderes Zubehör

Produktübersicht

Roboter



Taste für die Punktreinigung

- Kurz drücken, um die Punktreinigung zu starten

Einschalt-/Reinigungstaste

- Halten Sie die Taste 3 Sekunden lang gedrückt, um das Gerät ein- oder auszuschalten
- Kurz drücken zum Start der Reinigung nach dem Einschalten des Roboters

Taste zum Andocken

- Drücken Sie kurz, um den Roboter zurück zur Basisstation zu schicken.
- Halten Sie die Taste 3 Sekunden lang gedrückt, um die Kindersicherung zu deaktivieren.

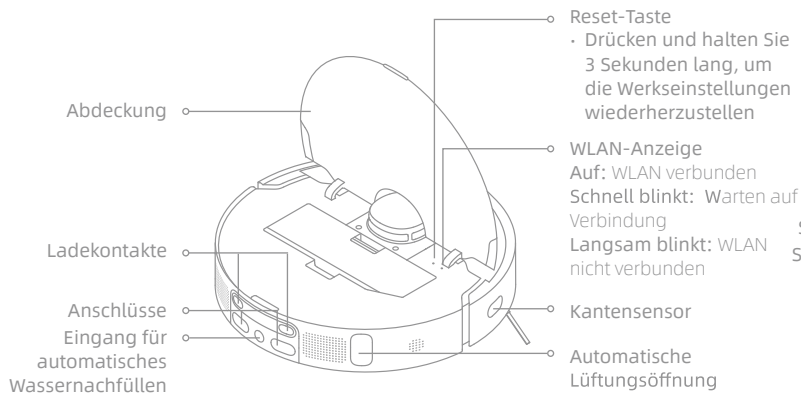
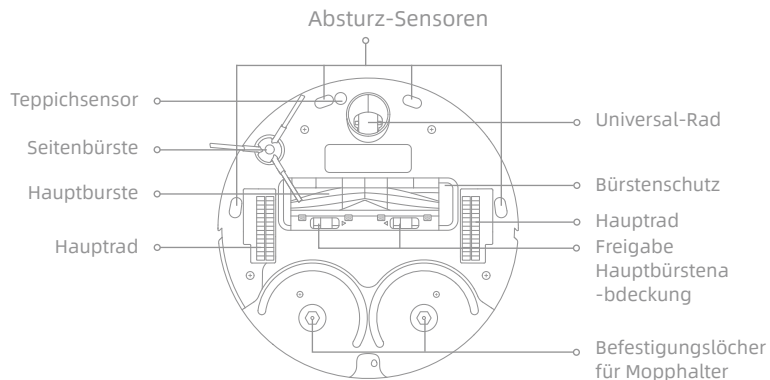
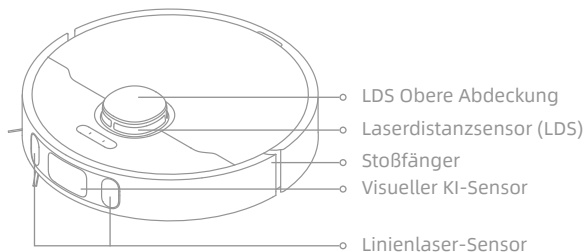
Statusanzeige

- **Konstant Weiß:** Reinigen oder gereinigt
- **Schnell orange blinkt:** Fehler
- **Konstant orange:** Schwache Batterie oder pausiert

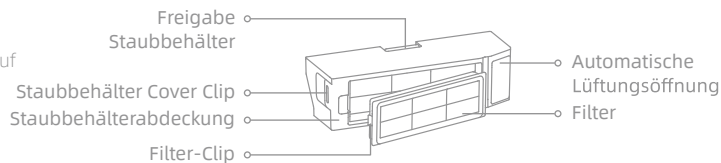
Hinweis: Drücken Sie eine beliebige Taste, um zu pausieren, während der Roboter reinigt oder zum Aufladen zurückkehrt.

Produktübersicht

Roboter und Sensoren

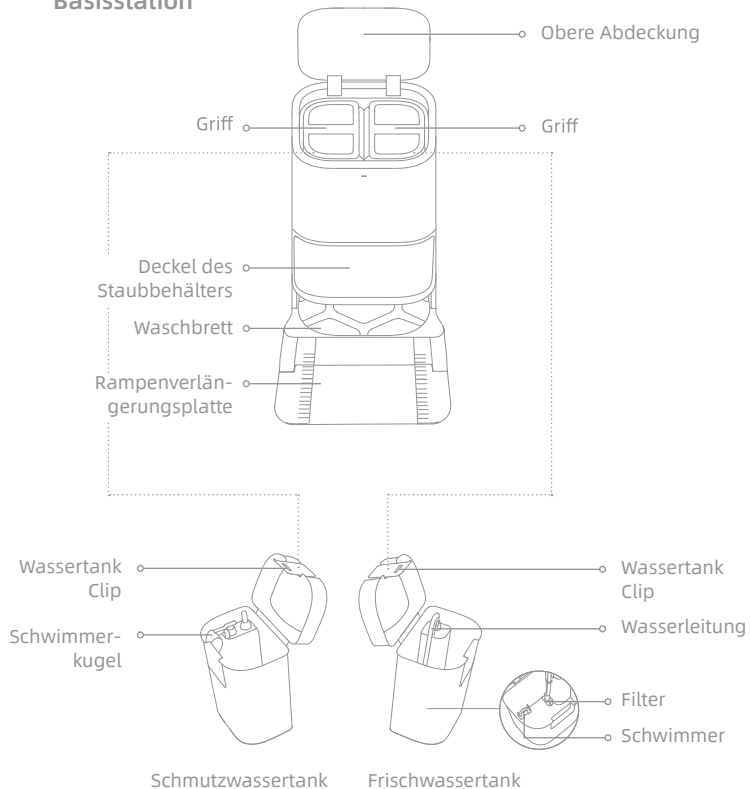


Staubbehälter



Produktübersicht

Basisstation



Tasten der Basisstation

- 🏠 **Die Losfahren-Taste**
 - Kurz drücken, damit der Roboter die Basisstation verlässt.
 - Wenn sich der Roboter außerhalb der Basis befindet, halten Sie die Taste 🏠 an der Basisstation 3 Sekunden lang gedrückt, um sauberes Wasser für die Reinigung der Basis abzulassen. Drücken Sie anschließend die Taste erneut 3 Sekunden lang, um das Schmutzwasser abzupumpen.
- 🧼 **Die Taste für Reinigung** Kurz drücken, damit der Roboter alle Bereiche reinigt
- 🌀 **Die Taste zum Trocknen** Kurz drücken, um die Basisstation zu starten oder das Trocknen des Wischmopps zu stoppen.

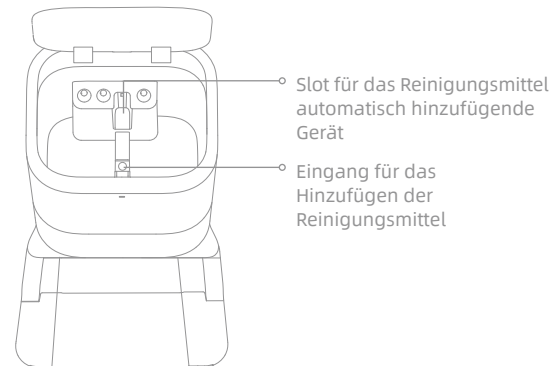
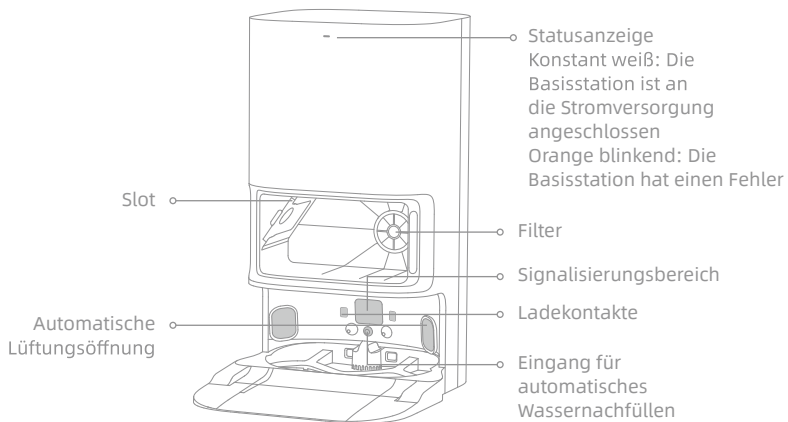
Hinweis: Die Tasten an der Basisstation funktionieren nur, wenn sich der Roboter auf der Basisstation befindet.

Kindersicherung

Halten Sie die Tasten 🏠 und 🌀 3 Sekunden lang gedrückt, um die Kindersicherung zu aktivieren oder zu deaktivieren. Nach dem Aktivieren der Kindersicherung werden alle Tasten am Roboter und an der Basisstation gesperrt.

Produktübersicht

Basisstation



Wischmoppverbundteil

Wischmopp Befestigungsbereich

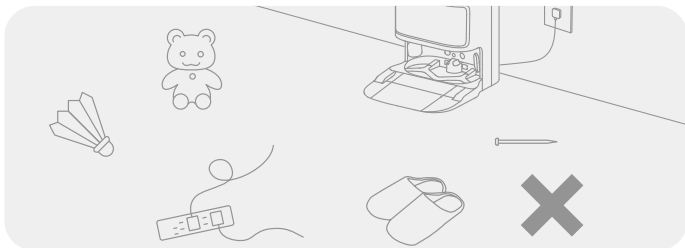


Mopphalter

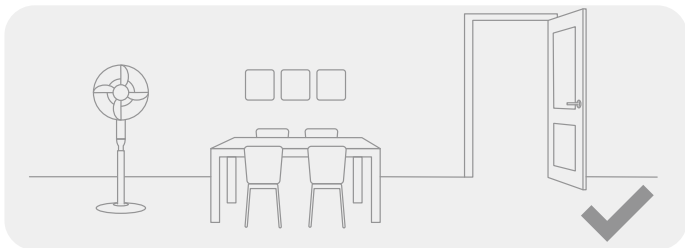


Wischer

Ihr Zuhause vorbereiten



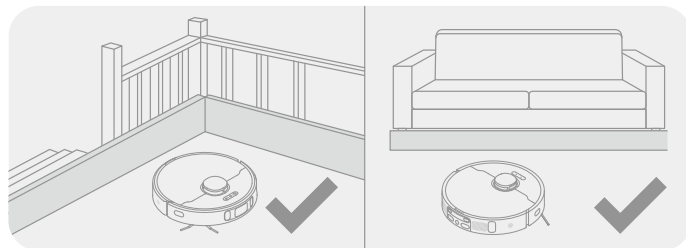
Entfernen Sie vor der Reinigung instabile, zerbrechliche, wertvolle oder gefährliche Gegenstände und räumen Sie Kabel, Tücher, Spielzeug, harte und scharfe Gegenstände vom Fußboden auf, um ein Verfangen, Zerkratzen oder Umfallen des Roboters und damit verbundene Verluste zu vermeiden.



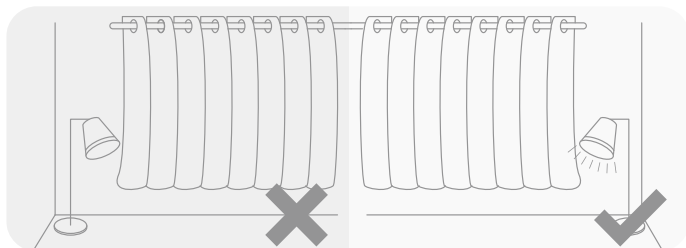
Öffnen Sie die Tür des zu reinigenden Raumes und stellen Sie die Möbel in die geeignete Position, um mehr Platz zu schaffen.

Hinweis:

- Wenn Sie den Roboter zum ersten Mal in Betrieb nehmen, folgen Sie ihm während der Reinigung, um mögliche Hindernisse rechtzeitig zu beseitigen.
- Um zu verhindern, dass der Roboter den zu reinigenden Bereich nicht erkennt, stehen Sie nicht vor dem Roboter, vor Schwellen, Fluren oder engen Stellen.
- Saugen Sie keine harten Gegenstände wie Steine, Stahlkugeln und Spielzeugteile oder scharfe Gegenstände wie Bauschutt, Glasscherben und Nägel auf, da dadurch der Boden verkratzt werden kann.



Montieren Sie vor der Reinigung die physische Barriere an den Kanten von Treppen und Möbeln, um dem Roboter ein reibungsloses Arbeiten zu ermöglichen.



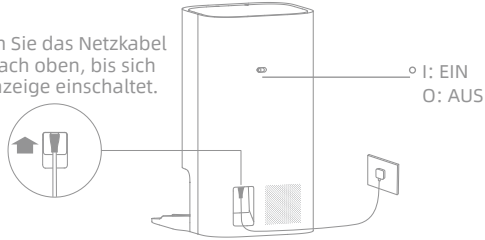
Mit dem visuellen KI-Sensor kann der Roboter Hindernisse wie Stromkabel, Schuhe und Socken besser erkennen und vermeiden. Zur optimalen Nutzung des visuellen KI-Sensors ist sicherzustellen, dass alle zu reinigenden Bereiche gut beleuchtet sind.

Vor der Verwendung

1. An eine Steckdose anschließen

Schließen Sie das Netzkabel an die Basisstation und stecken Sie es in die Steckdose.

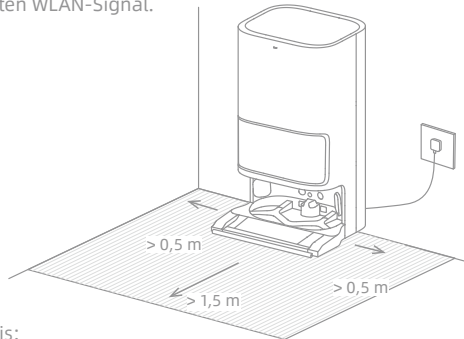
Stecken Sie das Netzkabel fest nach oben, bis sich die Anzeige einschaltet.



2. Platzieren Sie die Basisstation

Entfernen Sie alle Objekte, die sich näher als 1,5 m von der Vorderseite, 1 m von oben und 0,5 m von beiden Seiten der Basisstation befinden.

📶 Platzieren Sie die Basisstation an einem möglichst offenen Ort mit einem guten WLAN-Signal.

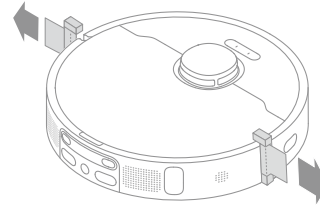


Hinweis:

- Stellen Sie sicher, dass keine Gegenstände den Signalbereich blockieren können.
- Um Wasserflecken auf Holzböden oder Teppichen zu vermeiden, empfiehlt es sich, die

38 Basisstation auf Fliesen- oder Marmorfußböden zu platzieren.

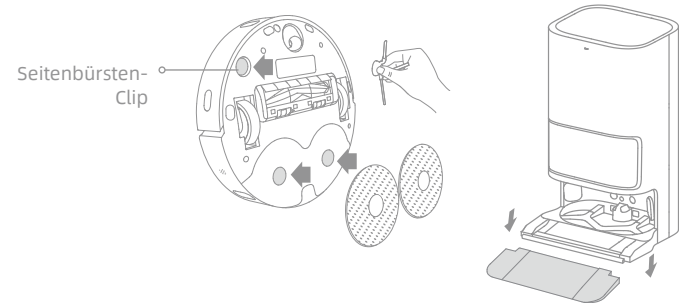
3. Die Schutzstreifen entfernen



4. Das Hauptzubehör installieren

Bringen Sie die Seitenbürste und die Mopp-Baugruppe an der vorgesehenen Stelle an.

Bringen Sie die Rampe der Basisstations-Verlängerungsplatte an der Basisstation an.

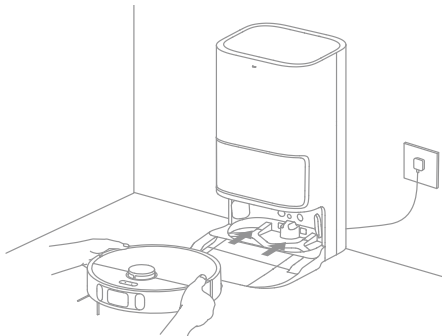


Hinweis: Installieren Sie die Seitenbürste, bis sie einrastet.

Vor der Verwendung

5. Platzieren Sie den Roboter

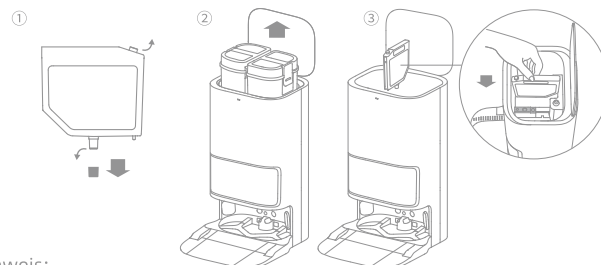
Zum Einschalten des Roboters die Ein-/Aus-Taste am Roboter drücken und 3 Sekunden lang gedrückt halten. Platzieren Sie den Roboter mit der Wischvorrichtung in Richtung Waschbrett auf der Basisstation. Dann hören Sie eine Sprachbenachrichtigung, wenn sich der Roboter erfolgreich mit der Basisstation verbindet und mit dem Laden beginnt. Nachdem der Roboter vollständig aufgeladen ist, bleiben die Statusanzeigen am Roboter und an der Basisstation 10 Minuten lang beleuchtet und dimmen anschließend.



Hinweis: Es wird empfohlen, den Roboter vor seiner ersten Verwendung vollständig aufzuladen. Wenn der Roboter bei leerer Batterie nicht eingeschaltet werden kann, verbinden Sie den Roboter manuell mit der Station, um ihn aufzuladen.

6. Installieren Sie die Reinigungsflasche

Entfernen Sie den Deckel der Reinigungsflasche und reißen Sie die Dichtungen an der Ober- und Unterseite der Flasche ab. Öffnen Sie den oberen Deckel der Basisstation und nehmen Sie den Reinwassertank und den Schmutzwassertank heraus. Setzen Sie die Reinigungsflasche entlang des Slots ein. Das Reinigungsmittel wird während der Arbeit automatisch hinzugefügt.

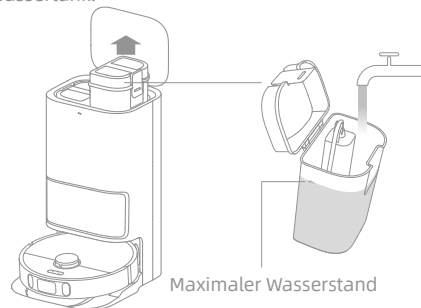


Hinweis:

- Entfernen Sie vor dem ersten Gebrauch den weichen Gummistopfen am Eingang der Reinigungsmitteln.
- Fügen Sie keine andere Flüssigkeit als das offiziell zugelassene Reinigungsmittel hinzu, um eine Fehlfunktion der Basisstation zu verhindern.

7. Wasser in den Reinwassertank einfüllen

Füllen Sie den Reinwassertank bis zur maximalen Wasserstandsmarke mit sauberem Wasser auf und installieren Sie dann den Frischwassertank und den Schmutzwassertank.



Maximaler Wasserstand

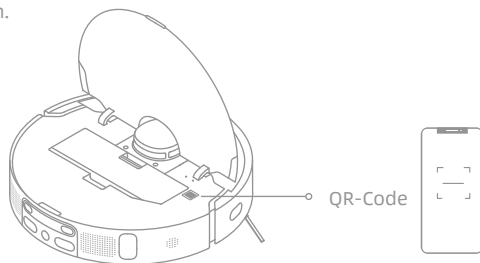
Hinweis: Füllen Sie kein heißes Wasser ein, da sonst der Frischwassertank verformt werden kann.

DE Verbinden mit Dreamehome App

Dieses Produkt funktioniert mit der Dreamehome App, mit der Sie Ihr Gerät steuern können.

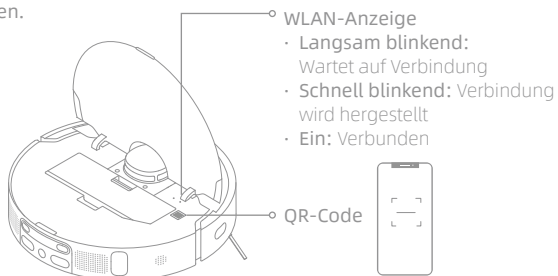
1. Laden Sie die Dreamehome App herunter

Scannen Sie den QR-Code auf dem Roboter oder suchen Sie im App Store nach "Dreamehome" um die App nach Ihren Bedürfnissen herunterzuladen und zu installieren.



2. Fügen Sie das Gerät hinzu

Öffnen Sie die Dreamehome App, tippen Sie auf „+“ in der oberen rechten Ecke und scannen Sie denselben QR-Code erneut, um „Dreame L10s Ultra“ hinzuzufügen. Bitte befolgen Sie die Anweisungen, um die WLAN-Verbindung herzustellen.



Hinweis:

- Es wird nur WLAN mit 2,4 GHz unterstützt.
- Die App-Software wird aktualisiert, die tatsächliche Bedienung kann sich von den Angaben in diesem Handbuch abweichen. Bitte befolgen Sie die Anweisungen basierend auf der aktuellen App-Version.

3. WLAN zurücksetzen

Halten Sie die Ein/Aus-Taste und die Andocktaste gleichzeitig gedrückt, bis Sie die Sprachansage „Warten auf die Netzwerkkonfiguration“ hören. Sobald die WLAN-Anzeige langsam blinkt, wurde das WLAN erfolgreich zurückgesetzt.

Hinweis:

- Wenn Ihr Telefon keine erfolgreiche Verbindung mit dem Roboter herstellen kann, setzen Sie das WLAN zurück und fügen Sie das Gerät erneut hinzu.
- Halten Sie die Reset-Taste am Roboter 3 Sekunden lang gedrückt, um das Gerät vom WLAN-Netzwerk zu trennen.

Gebrauchsanleitung

Schnelle Kartenerstellung

Nachdem Sie das Netzwerk zum ersten Mal konfiguriert haben, folgen Sie den Anweisungen in der App, um schnell eine Karte zu erstellen, wobei der Roboter die Kartierung ohne Reinigung startet. Die Kartierung wird abgeschlossen, wenn der Roboter zur Station zurückkehrt, und die Karte wird automatisch gespeichert.

Einschalten/Ausschalten

Zum Einschalten des Roboters drücken und halten Sie die Ein-/Aus-Taste 3 Sekunden lang gedrückt, und die Betriebsanzeige leuchtet dauerhaft. Stellen Sie den Roboter auf die Basisstation, und der Roboter schaltet sich automatisch ein und beginnt mit dem Aufladen. Um den Roboter auszuschalten, entfernen Sie den Roboter von der Basisstation und halten Sie die Taste 3 Sekunden lang gedrückt.

Pause / Schlaf

Wenn der Roboter läuft, drücken Sie eine beliebige Taste, um ihn zu pausieren.

Wenn der Roboter länger als 10 Minuten pausiert, wechselt er automatisch in den Schlafmodus und die Betriebsanzeige und die Ladeanzeige hören auf zu leuchten. Drücken Sie eine beliebige Taste am Roboter oder an der Basis, oder tippen Sie auf die App, um den Roboter aufzuwecken.

Hinweis:

- Wenn das Gerät länger als 12 Stunden im Ruhemodus ist, schaltet es sich automatisch aus.
- Wird der Roboter pausiert und auf die Basisstation gestellt, endet die aktuelle Reinigungsaufgabe.

Nicht stören (DND) Modus

Wenn der Roboter auf den DND-Modus (Do Not Disturb) eingestellt ist, führt der Roboter die Reinigungsaufgabe nicht mehr durch und die Betriebsanzeige erlischt. Der DND-Modus ist werkseitig standardmäßig deaktiviert. Sie können die App verwenden, um den DND-Modus zu aktivieren oder den DND-Zeitraum zu ändern. Der DND-Zeitraum ist standardmäßig 22:00-8:00.

Hinweis:

- Die geplanten Reinigungsaufgaben werden während des DND-Zeitraums pünktlich durchgeführt.
- Der Roboter wird die Reinigung fortsetzen, wo er nach Ablauf der DND-Periode aufgehört hat.

Punktreinigung

Drücken Sie im Modus „Wartend“ des Roboters kurz die „[]“ Taste, um den Punktreinigungsmodus zu aktivieren. In diesem Modus reinigt der Roboter einen quadratischen Bereich von 1,5 x 1,5 Meter um ihn herum und kehrt zu seinem Ausgangspunkt zurück, sobald die Reinigung bestimmter Bereiche abgeschlossen ist.

Roboter neu starten

Wenn der Roboter nicht mehr reagiert oder sich nicht ausschalten lässt, halten Sie die Ein-/Aus-Taste 10 Sekunden lang gedrückt, um ihn zwangsweise auszuschalten. Halten Sie dann die Ein-/Aus-Taste 3 Sekunden lang gedrückt, um den Roboter einzuschalten.

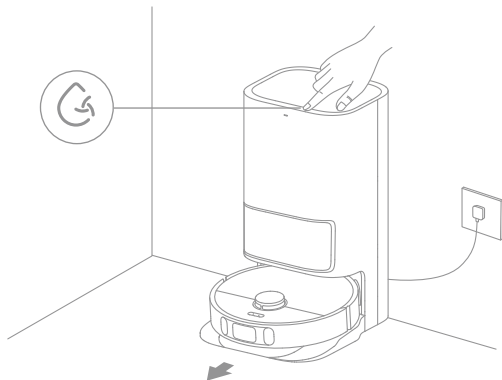
Gebrauchsanleitung

Fegen & Wischen

Hinweis: Bei der ersten Verwendung des Wischmoppverbundteils führt der Roboter standardmäßig die Wisch- und Wischaufgabe aus.

1. Starten Sie das Fegen und Wischen

Drücken Sie die Reinigungstaste an der Basisstation oder die Ein-/Aus-Taste am Roboter, oder bedienen Sie ferngesteuert über die App, um den Roboter von der Basisstation aus zu starten. Dann plant der Roboter die optimale Reinigungsrouten und führt die Reinigungsaufgabe basierend der erstellten Karte aus.

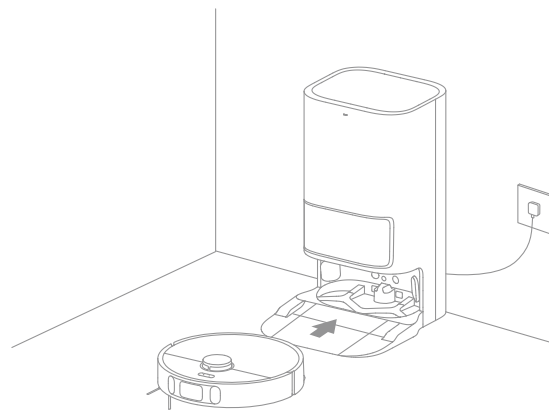


Hinweis:

- Der Wischmopp wird gereinigt, bevor der Roboter mit dem Wischen beginnt, bitte warten Sie mit Geduld.
- Bewegen Sie die Basisstation, den Reinwassertank, den Schmutzwassertank oder das Waschbrett während der Reinigung nicht.

2. Rückkehr zur Reinigung des Wischmopps auf halbem Weg

Während des Wischens kehrt der Roboter automatisch zur Basisstation zurück, um den Wischmopp basierend auf der in der App angegebenen Wischmopp-Reinigungsfrequenz zu waschen. Dann füllt die Basisstation automatisch den Wassertank des Roboters nach und der Roboter setzt die Reinigung nach dem Nachfüllen des Wassers fort.

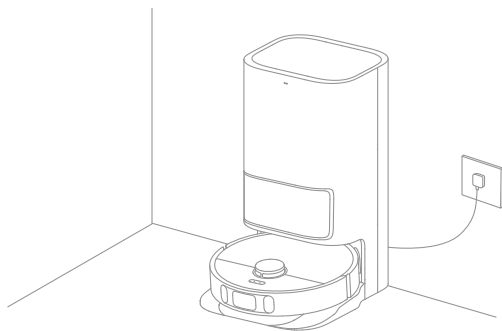


Hinweis: Wenn der Roboter auf halbem Weg zum Zweck der Reinigung des Wischmopps zur Basisstation zurückkehrt, wird der Staubbehälter nicht automatisch von der Basisstation entleert.

Gebrauchsanleitung

3. Reinigen und trocknen Wischmopps nach Entleerung des Staubbehälters

Nachdem der Roboter eine Reinigungsaufgabe beendet hat und zum Aufladen zur Basisstation zurückkehrt, beginnt die Basisstation automatisch mit der Entleerung des Staubbehälters, wobei der Wischmopp gereinigt und getrocknet wird.



Hinweis:

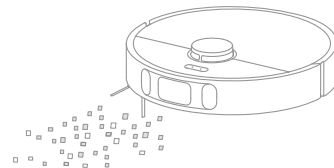
- Wenn der Roboter auf halbem Weg zum Zweck der Reinigung des Wischmopps zur Basisstation zurückkehrt, entleert die Basisstation den Staubbehälter nicht automatisch.
- Wenn das automatische Entleeren in der App ausgeschaltet ist, leert die Basisstation den Staubbehälter nicht automatisch.
- Die Basisstation entleert den Staubbehälter entsprechend der in der App eingestellten Frequenz.

4. Reinigen Sie den Schmutzwassertank

Nachdem der Roboter die Aufgabe erledigt hat, reinigen Sie bitte Schmutzwassertank, um Gerüche zu entfernen.

Fegen

Um nur die Fegen-Funktion zu verwenden, wählen Sie in der App "Fegen" oder trennen Sie das Wischmoppverbundteil vom Roboter und der Roboter wechselt automatisch in den Fegen-Modus.



Hinweis: Wenn das Wischmoppverbundteil nicht vom Roboter getrennt wird, können Sie den Wischmodus in der App auswählen, und der Roboter hebt das Wischmoppverbundteil automatisch vor dem Fegen an.

Stellen Sie sicher, dass die Basisstation mit Strom und der Roboter mit der Basisstation verbunden ist. Drücken Sie die Reinigungstaste an der Basisstation oder die Ein-/Aus-Taste am Roboter, oder bedienen Sie ferngesteuert über die App, um den Roboter von der Basisstation aus zu starten.

Hinweis: Um sicherzustellen, dass der Roboter nach der Reinigung problemlos zur Basisstation zurückkehren kann, wird empfohlen, den Roboter von der Basisstation starten zu lassen und die Basisstation während der Reinigung nicht zu bewegen.

Regelmäßige Wartung

Teile

Es wird empfohlen, sich für die routinemäßige Wartung auf die folgende Tabelle zu beziehen, um den Roboter in gutem Zustand zu halten.

Teil	Häufigkeit der Wartung	Häufigkeit des Austausches
Schmutzwassertank	Nach jedem Gebrauch	/
Frischwassertank	Einmal alle 2 Wochen	
Hauptbürste		Alle 6 bis 12 Monate
Staubbehälterfilter		Alle 3 bis 6 Monate
Seitenbürste		
Waschbrett	Einmal im Monat	/
Signalbereich der Basisstation		
Ladekontakte der Basisstation		
Die automatische Lüftungsöffnung der Basisstation		
Universal-Rad		
Kantensensor		
Laserdistanzsensor (LDS)		
Linienlaser-Sensor		

Teil	Häufigkeit der Wartung	Häufigkeit des Austausches
Visueller KI-Sensor	Einmal im Monat	/
Teppichsensor		
Absturz-Sensoren		
Ladekontakte am Roboter		
Stoßfänger		
Automatische Lüftungsöffnung des Roboters		
Eingang für automatisches Wassernachfüllen		
Unterseite des Roboters		
Eingang für das Hinzufügen der Reinigungsmittel		
Staubbehälter	Nach Bedarf reinigen	
Staubsammelbeutel	/	6-8 Wochen
Wischpad		Alle 1 bis 3 Monate

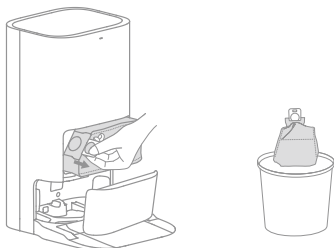
Hinweis: Die Häufigkeit des Austauschs hängt von der Nutzung des Roboters ab. Wenn aufgrund besonderer Umstände eine Störung auftritt, sollten die Teile ausgetauscht werden.

Regelmäßige Wartung

Staubsammelbeutel

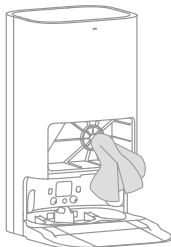
Wenn der Staubsammelbeutel ersetzt werden muss, wird eine Benachrichtigung in der App angezeigt.

1. Entsorgen Sie den Staubsammelbeutel.

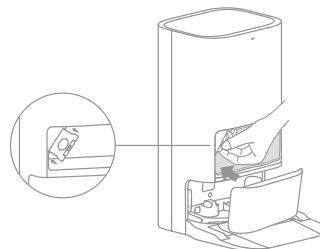


Hinweis: Wenn Sie am Griff nach oben ziehen, wird der Beutel versiegelt, um das Herausfallen des Staubs und des Schmutzes zu verhindern.

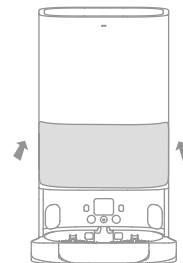
2. Entfernen Sie den Staub und Schmutz vom Filter mit einem trockenen Tuch.



3. Installieren Sie einen neuen Staubsammelbeutel.



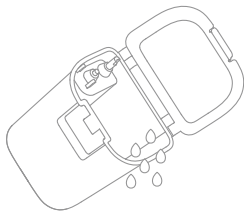
4. Schließen Sie den Deckel des Staubbehälters.



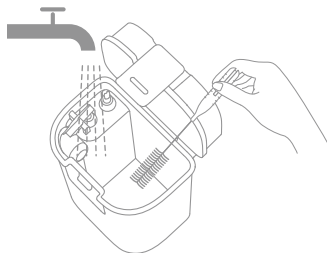
Regelmäßige Wartung

Schmutzwassertank

1. Entfernen Sie den Schmutzwassertank, öffnen Sie den Deckel und gießen Sie das Schmutzwasser aus.



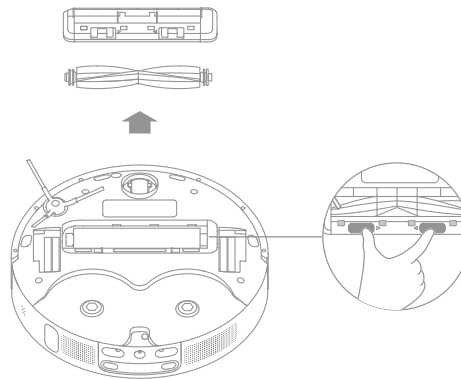
2. Spülen Sie den Schmutzwassertank mit sauberem Wasser und verwenden Sie die mitgelieferte Reinigungsbürste, um die Innenwand des Schmutzwassertanks zu reinigen.



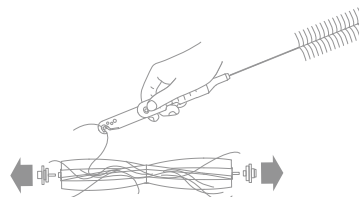
Hinweis: Die Schwimmerkugel im Schmutzwassertank ist ein bewegliches Teil. Wenden Sie beim Reinigen nicht zu viel Kraft an, um eine Beschädigung zu vermeiden.

Hauptbürste

1. Drücken Sie den Bürstenschutzclip nach innen, um den Bürstenschutz zu entfernen und die Bürste aus dem Roboter zu heben.



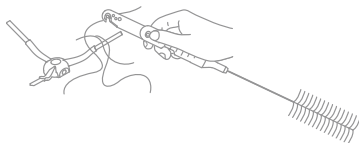
2. Ziehen Sie den Bürstendeckel wie im Diagramm gezeigt heraus. Verwenden Sie ein geeignetes Werkzeug, um die in der Bürste verhedderten Haare zu entfernen.



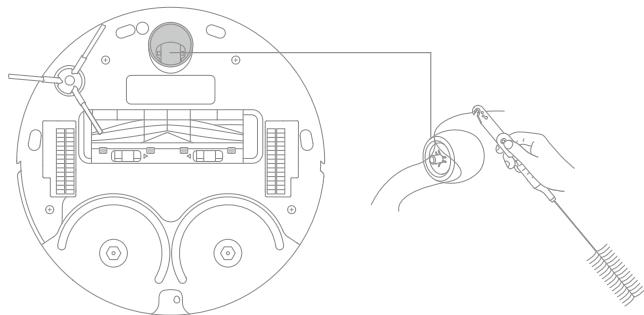
Regelmäßige Wartung

Seitenbürste

Entfernen und reinigen Sie die Seitenbürste.



Universal-Rad

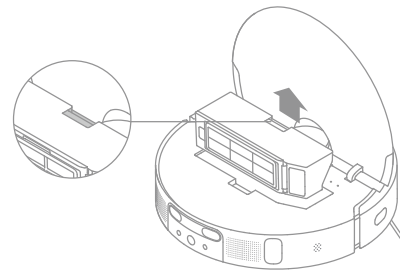


Hinweis:

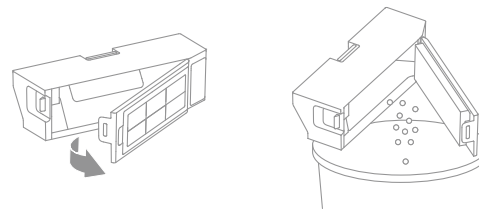
- Verwenden Sie ein Werkzeug, z. B. einen kleinen Schraubendreher, um die Achse und den Reifen des Universal-Rads zu trennen. Wenden Sie keine übermäßige Kraft an.
- Spülen Sie das Universal-Rad unter fließendem Wasser ab und legen Sie es nach vollständiger Trocknung wieder ein.

Staubbehälter

1. Öffnen Sie die Roboterabdeckung und drücken Sie auf den Staubbehälterklipp, um den Staubbehälter zu entfernen.



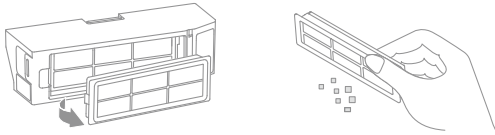
2. Öffnen Sie die Behälterabdeckung und leeren Sie den Behälter, wie in der Abbildung gezeigt.



Regelmäßige Wartung

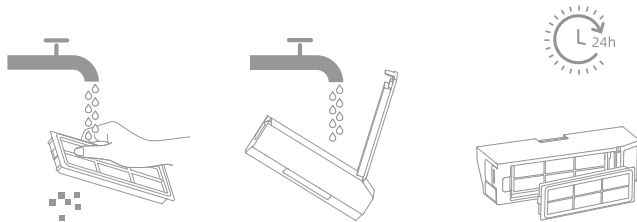
Filter

1. Nehmen Sie den Filter heraus und klopfen Sie vorsichtig auf seinen Korb.



Hinweis: Versuchen Sie nicht, den Filter mit einer Bürste, einem Finger oder scharfen Gegenständen zu reinigen, um Schäden zu vermeiden.

2. Spülen Sie den Staubbehälter und den Filter mit Wasser und trocknen Sie sie vollständig vor dem Wiedereinbau.



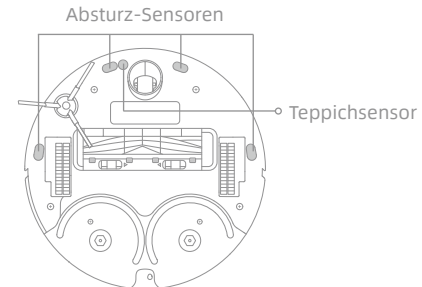
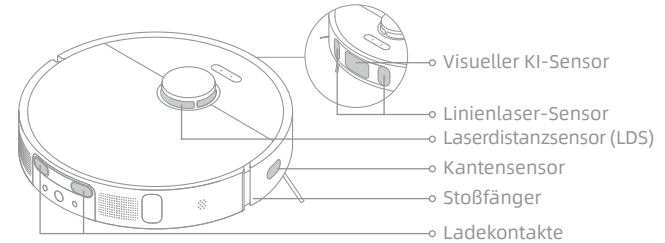
Hinweis:

- Spülen Sie den Staubbehälter und den Filter nur mit sauberem Wasser aus. Verwenden Sie keine Reinigungsmittel.
- Verwenden Sie den Staubbehälter und den Filter nur, wenn sie vollständig trocken sind.

Sensoren und Ladkontakte des Roboters

Wischen Sie Sensoren und Ladkontakte des Roboters mit einem weichen, trockenen Tuch ab:

- Die Cliff-Sensoren und der Ultraschallsensor auf der Unterseite des Roboters
- Ladkontakte auf der Rückseite des Roboters
- Der Kantensensor an der Seite des Roboters
- LDS auf der Oberseite des Roboters
- Der Puffer, der visuelle KI-Sensor und die Linienlasersensoren an der Vorderseite des Roboters

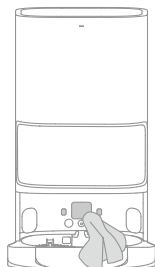


Hinweis: Feuchtes Tuch kann empfindliche Elemente innerhalb des Roboters und der Basisstation beschädigen. Bitte verwenden Sie ein trockenes Tuch zur Reinigung.

Regelmäßige Wartung

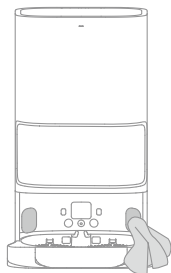
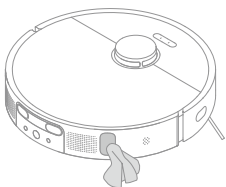
Ladekontakte

Reinigen Sie die Ladekontakte und den Signalisierungsbereich der Basisstation mit einem weichen, trockenen Tuch.



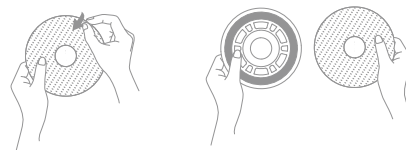
Automatische Lüftungsöffnung

Reinigen Sie die automatische Lüftungsöffnung des Roboters und der Basisstation mit einem weichen, trockenen Tuch.



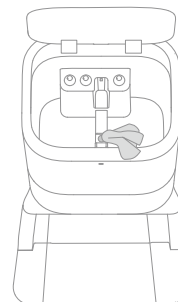
Wischmopp

Entfernen Sie den Wischmopp aus dem Wischmopphalter, um es auszutauschen.



Einlass für Reinigungsmittelzugabe

Wenn der Einlass für Reinigungsmittelzugabe schmutzig ist, wischen Sie ihn mit einem weichen, trockenen Tuch ab.



Akku

Der Roboter enthält einen leistungsstarken Lithium-Ionen-Akku. Achten Sie darauf, dass der Akku bei täglichem Gebrauch gut aufgeladen bleibt, um die optimale Akkuleistung zu erhalten. Wenn der Roboter über einen längeren Zeitraum nicht benutzt wird, schalten Sie ihn aus und legen Sie ihn weg. Um Schäden durch Überentladung zu vermeiden, laden Sie den Roboter mindestens einmal alle drei Monate auf.

Problem	Lösung
Der Roboter lässt sich nicht einschalten.	<p>Der Akku ist schwach. Laden Sie den Roboter auf der Basisstation auf und versuchen Sie es erneut.</p> <p>Die Temperatur des Akkus ist zu niedrig oder zu hoch. Es wird empfohlen, das Gerät bei einer Temperatur zwischen 0 °C und 40 °C zu betreiben.</p>
Der Roboter wird nicht geladen.	<p>Die Basisstation ist nicht an die Stromversorgung angeschlossen. Bitte stellen Sie sicher, dass beide Enden des Netzkabels korrekt angeschlossen sind.</p> <p>Der Kontakt zwischen den Ladekontakten an der Basisstation und dem Roboter ist schlecht, bitte reinigen Sie die Ladekontakte.</p> <p>Überprüfen Sie, ob sich am Anschluss des Roboters ein Fremdobjekt befindet, und entfernen Sie gegebenenfalls das Fremdobjekt.</p>
Der Roboter kann keine Verbindung zum WLAN herstellen.	<p>Das Passwort für das WLAN-Netzwerk ist falsch. Überprüfen Sie, ob das Passwort für die Verbindung mit Ihrem WLAN-Netzwerk korrekt ist.</p> <p>Der Roboter unterstützt keine 5-GHz-WLAN-Verbindung. Stellen Sie sicher, dass der Roboter mit einer 2,4-GHz-WLAN-Verbindung verbunden ist.</p> <p>Das WLAN-Signal ist schwach. Stellen Sie sicher, dass sich der Roboter in einem Gebiet mit guter WLAN-Abdeckung befindet.</p> <p>Der Roboter ist möglicherweise nicht bereit für die Konfiguration. Beenden Sie die App, rufen Sie sie erneut auf und versuchen Sie es dann erneut.</p>
Der Roboter findet nichts und kehrt zur Basisstation zurück.	<p>Die Basisstation wird vom Strom getrennt oder bewegt, wenn der Roboter nicht darauf ist.</p> <p>Es gibt zu viele Hindernisse rund um die Basisstation. Platzieren Sie die Basisstation in einem offeneren Bereich.</p> <p>Das Bewegen des Roboters kann dazu führen, dass er sich neu positioniert und eine Karte neu erstellt, wenn die Neupositionierung fehlschlägt. Wenn der Roboter zu weit von der Basisstation entfernt ist, kann er möglicherweise nicht automatisch zurückkehren. In diesem Fall müssen Sie den Roboter manuell auf die Basisstation stellen.</p> <p>Wischen Sie den Signalisierungsbereich an der Basisstation ab, um Staub oder Schmutz zu entfernen.</p>

Problem	Lösung
Der Roboter bleibt vor der Basisstation stecken und kann nicht zu ihr zurückkehren.	<p>Beseitigen Sie alle Hindernisse innerhalb von 0,5 m auf der linken und rechten Seite oder innerhalb von 1,5 m vor der Basisstation, damit der Roboter nicht dadurch blockiert wird.</p> <p>Die Route für die Rückkehr zur Ladung ist blockiert, z. B. die Tür ist geschlossen.</p> <p>Der Roboter kann ausrutschen, wenn der Boden vor der Basisstation übermäßig nass ist. Wenn ja, entfernen Sie vor dem erneuten Versuch das überschüssige Wasser.</p> <p>Es wird empfohlen, die Basisstation an einen anderen Ort zu verlegen und es erneut zu versuchen.</p>
Der Roboter kann nicht ausgeschaltet werden.	<p>Der Roboter kann während des Ladevorgangs nicht ausgeschaltet werden. Zum Ausschalten des Roboters wird empfohlen, ihn von der Basisstation zu entfernen und die Ein-/Aus-Taste 3 Sekunden lang gedrückt zu halten.</p> <p>Wenn sich der Roboter durch Ausführen von Schritt 1 nicht ausschalten lässt, halten Sie die Ein-/Aus-Taste 10 Sekunden lang gedrückt, um ein Ausschalten des Roboters zu erzwingen. Wenn das Problem weiterhin besteht, wenden Sie sich bitte an den Kundendienst.</p>
Die Aufladegeschwindigkeit ist langsam.	<p>Es dauert etwa 6 Stunden, um den Roboter vollständig aufzuladen, wenn der Akku schwach ist.</p> <p>Wenn Sie den Roboter bei Temperaturen außerhalb des angegebenen Bereichs betreiben, wird die Ladegeschwindigkeit automatisch verlangsamt, um die Lebensdauer der Akkus zu verlängern.</p> <p>Die Ladekontakte sowohl am Roboter als auch an der Basisstation können verschmutzt sein, bitte wischen Sie sie mit einem trockenen Tuch ab.</p>
Die Geräusche nehmen zu, während der Roboter in Betrieb ist.	<p>Überprüfen Sie, ob der Staubbehälterfilter verstopft ist. Wenn ja, reinigen Sie ihn oder ersetzen Sie ihn.</p> <p>Ein hartes Objekt kann sich in der Gummibürste oder dem Staubbehälter verfangen. Überprüfen und entfernen Sie alle harten Objekte.</p> <p>Die Hauptbürste oder die Seitenbürste können sich verheddern. Überprüfen und entfernen Sie Fremdkörper.</p> <p>Schalten Sie den Saugmodus auf Standard oder Leise.</p>
Der Roboter bewegt sich, ohne der festgelegten Route zu folgen.	<p>Gegenstände wie Stromkabel und Hausschuhe sollten vor dem Einsatz des Roboters aufgeräumt werden.</p> <p>Beim Arbeiten auf nassen, rutschigen Böden kann das Hauptrad rutschen. Es wird empfohlen, die nassen Stellen vor dem Einsatz des Roboters zu trocknen.</p> <p>Wischen Sie die Linienlaser-Sensoren und den visuellen KI-Sensor am Roboter mit einem sauberen, weichen Tuch ab, um sie sauber und ungehindert zu halten.</p>

Problem	Lösung
Der Roboter kann die zu reinigenden Räume nicht erreichen.	Stellen Sie sicher, dass die Türen der zu reinigenden Räume offen sind. Prüfen Sie, ob die Schwelle an der Zimmertür höher als 2 cm ist. Der Roboter kann nicht über hohe Schwellen oder Stufen klettern. Der Platz vor dem zu reinigenden Raum ist nass und rutschig, so dass der Roboter ausrutscht und nicht richtig arbeiten kann. Es wird empfohlen, den Boden vor dem Einsatz des Roboters zu trocknen.
Der Roboter nimmt die Reinigung nach dem Laden nicht wieder auf.	Vergewissern Sie sich, dass der Roboter nicht auf den Nicht-Stören-Modus eingestellt ist, da er dann die Reinigung nicht fortsetzen kann. Der Roboter wird die Reinigung nicht fortsetzen, nachdem Sie den Roboter zum Aufladen manuell zur Basisstation zurückgebracht haben. Dazu gehört das manuelle Platzieren des Roboters auf der Basisstation oder das Senden des Roboters zum Aufladen über die App oder den Roboter selbst.
Der Roboter reagiert nicht, wenn Sie die Tasten an der Basisstation drücken.	Der Roboter befindet sich möglicherweise außerhalb der Reichweite des drahtlosen Signals der Basisstation. Bringen Sie den Roboter manuell an die Basisstation zurück oder nutzen Sie die App, um ihn zurückzusenden.
Die Station kann den Staubbehälter nicht automatisch leeren.	Überprüfen Sie, ob der Staubsammelbeutel im Staubbehälter voll ist. Wenn der Staubsammelbeutel nicht voll ist, überprüfen Sie, ob die automatischen Entleerungsöffnungen des Roboters der Basisstation oder der Staubbehälter Fremdkörper haben. Falls vorhanden, entfernen Sie sie rechtzeitig.
Der Wasserstand in des Waschbretts ist anormal.	Überprüfen Sie, ob die Dichtung am Schmutzwassertank lose oder nicht richtig installiert ist, und setzen Sie sie gegebenenfalls manuell zurück. Wenn das Problem weiterhin besteht, wenden Sie sich bitte an den Kundendienst. Drücken Sie vorsichtig auf Schmutzwassertank, um sicherzustellen, dass er richtig installiert ist. Nehmen Sie das Waschbrett heraus und prüfen Sie, ob der Abfluss verstopft ist, und reinigen Sie ihn. Überprüfen Sie das Reinigungsmittel. Geben Sie keine andere Flüssigkeit als das offiziell zugelassene Reinigungsmittel hinzu. Bleibt das Problem bestehen, wenden Sie sich bitte an das Kundendienstteam.

Für weitere Serviceleistungen kontaktieren Sie uns bitte über <https://global.dreametech.com>

Spezifikationen

Roboter

Modell	RLS6LADC
Ladedauer	Ca. 6 Stunden
Nennspannung	14,4 V $\overline{\text{---}}$
Bemessungsleistung	75 W
Betriebsfrequenz	2400-2483,5 MHz
Maximale Ausgangsleistung	<20 dBm

Basisstation/Ladestation

Energieverbrauch im Aus-Modus: $\leq 0,3$ W

Energieverbrauch im Standby-Modus: $\leq 0,5$ W (innerhalb von 15 Minuten, nachdem der Roboter von der Basisstation/Ladestation entfernt wurde)

Roboter&Basisstation/Ladestation

Das Gerät verfügt nicht über einen Standby-Modus oder einen anderen vergleichbaren Status hinsichtlich der Standby-Anforderungen, der Energieverwaltungsfunktion oder der Möglichkeit, drahtlose Netzwerkverbindungen wegen der erforderlichen Batteriewartung zu deaktivieren. Der Stromverbrauch des Geräts dürfte höher sein als bei anderen Modellen, die diese Funktionsanforderungen erfüllen.

Basisstation

Modell	RCS9
Nenneingang	220-240 V~ 50-60 Hz
Nennausgang	20 V $\overline{\text{---}}$ 2 A
Leistung (während der Staubentleerung)	1000 W
Leistung (während der Reinigung)	55 W
Leistung (während des Trocknens und des Aufladens)	78 W

Unter normalen Einsatzbedingungen muss dieses Gerät einen Abstand von mindestens 20 cm zwischen der Antenne und dem Körper des Benutzers einhalten.

Informations WEEE



Alle mit diesem Symbol gekennzeichnete elektronische Altgeräte (WEEE entsprechend EU-Richtlinie 2012/19/EU) dürfen nicht mit unsortiertem Haushaltsmüll vermischt werden. Schützen Sie lieber Ihre Mitmenschen und die Umwelt, indem Sie Ihre zu entsorgenden Geräte an eine dafür vorgesehene, von der Regierung oder einer lokalen Behörde eingerichtete Sammelstelle zum Recycling von Elektroschrott und Elektrogeräten bringen. Eine ordnungsgemäße Entsorgung und Recycling helfen, negative Auswirkungen auf die Gesundheit von Umwelt und Menschen zu vermeiden. Wenden Sie sich bitte an den Installateur oder lokale Behörden, um Informationen zum Standort und den allgemeinen Geschäftsbedingungen solcher Sammelstellen zu erhalten.

Entsorgung von Elektro- und Elektronikaltgeräten



Die durchgestrichene Mülltonne bedeutet, dass Sie gesetzlich verpflichtet sind, diese Geräte einer vom unsortierten Siedlungsabfall getrennten Sammelstelle zuzuführen. Die Entsorgung über die Restmülltonne oder die gelbe Tonne ist untersagt. Enthalten die Produkte Batterien oder Akkus, die nicht fest verbaut sind, müssen diese vor der Entsorgung entnommen und getrennt als Batterien entsorgt werden.

Möglichkeiten der Rückgabe von Altgeräten

Besitzer von Altgeräten können diese im Rahmen der durch öffentlich-rechtlichen Entsorgungsträger eingerichteten und zur Verfügung stehenden Möglichkeiten der Rückgabe oder Sammlung von Altgeräten abgeben, damit eine ordnungsgemäße Entsorgung der Altgeräte sichergestellt ist. Unter dem folgenden Link können Sie ein Onlineverzeichnis der Sammel- und Rücknahmestellen ansehen: <https://www.ear-system.de/ear-verzeichnis/sammel-und-ruecknahmestellen>

Datenschutz

Wir weisen alle Endnutzer von Elektro- und Elektronikaltgeräten darauf hin, dass Sie für das Löschen personenbezogener Daten auf den zu entsorgenden Altgeräten selbst verantwortlich sind.

Informations sur la sécurité

Pour éviter tout risque de choc électrique, d'incendie ou de blessure causé par une utilisation incorrecte de l'appareil, veuillez lire attentivement le manuel d'utilisation avant d'utiliser l'appareil et le conserver pour pouvoir vous y référer ultérieurement.

Restrictions d'utilisation

- Ce produit ne doit pas être utilisé par des enfants de moins de 8 ans ni par des personnes présentant un handicap moteur, sensoriel ou mental, ou ayant une expérience ou des connaissances limitées, sans la supervision d'un parent ou d'un tuteur afin de garantir un fonctionnement sûr et d'éviter tout risque. Le nettoyage et l'entretien ne doivent pas être effectués par des enfants sans surveillance.
- L'appareil ne doit être utilisé qu'avec le bloc d'alimentation fourni avec l'appareil.
- Ce produit contient des batteries qui peuvent être uniquement remplacées par des techniciens qualifiés ou par le service après-vente.
- Dégagez la zone à nettoyer. Les enfants ne doivent pas jouer avec ce produit. Pendant le nettoyage, assurez-vous que les enfants et les animaux de compagnie sont maintenus à une distance de sécurité du robot aspirateur.
- Évitez d'installer, de charger ou d'utiliser l'appareil dans les salles de bains ou autour des piscines.
- Ce produit est uniquement destiné au nettoyage des sols dans un environnement domestique. Ne l'utilisez pas à l'extérieur, sur des surfaces autres que des sols ou dans un environnement commercial ou industriel.
- Assurez-vous que l'appareil fonctionne correctement dans un environnement

Informations sur la sécurité

Restrictions d'utilisation

- adéquat. Dans le cas contraire, n'utilisez pas l'appareil.
- Si le câble d'alimentation est endommagé, ce dernier doit être remplacé par un câble spécial ou un assemblage disponible auprès du fabricant ou d'un agent de maintenance.
- N'utilisez pas le robot dans une zone située au-dessus du niveau du sol sans barrière de protection.
- Ne placez pas le robot à l'envers. N'utilisez pas le couvercle du LDS, le couvercle du robot ou le pare-chocs comme poignée pour déplacer le robot.
- N'utilisez pas le robot dans des environnements où la température ambiante est supérieure à 40 °C ou inférieure à 0 °C, ni sur un sol avec des liquides ou des substances collantes.
- Pour éviter d'endommager l'appareil ou de le traîner, débarrassez le sol de tout objet mobile et retirez les câbles ou les cordons d'alimentation qui se trouvent sur le trajet de nettoyage avant d'utiliser l'appareil.
- Retirez tous les objets fragiles ou de petite taille présents au sol afin d'éviter que le robot ne les percute ou ne les endommage.
- Maintenez vos cheveux, vos doigts et les autres parties de votre corps éloignés de l'orifice d'aspiration du robot.
- Gardez l'outil de nettoyage hors de portée des enfants.
- Ne faites pas fonctionner l'appareil dans une pièce où un nourrisson ou un enfant dort.

Informations sur la sécurité

Restrictions d'utilisation

- Ne mettez pas d'enfants, d'animaux ou d'objets sur le robot, qu'il soit à l'arrêt ou en mouvement.
- Gardez le robot hors de portée des enfants.
- Utilisez uniquement le détergent officiellement approuvé. N'ajoutez aucun liquide tel que de l'alcool ou un désinfectant.
- N'utilisez pas le robot pour nettoyer des objets brûlants. N'utilisez pas le robot pour ramasser des liquides inflammables ou combustibles, des gaz corrosifs ou des acides ou solvants non dilués.
- N'aspirez pas d'objets durs ou tranchants. N'utilisez pas l'appareil pour ramasser des objets tels que des pierres, de gros morceaux de papier ou tout autre élément susceptible d'obstruer l'appareil.
- Veuillez éteindre et débrancher l'appareil avant de le nettoyer et de l'entretenir.
- N'essuyez pas le robot ou la station de base avec un chiffon humide et ne les rincez pas avec un liquide. Après avoir nettoyé les pièces lavables, séchez-les complètement avant de les réinstaller et de les utiliser.
- Veuillez utiliser ce produit conformément aux instructions du Mode d'emploi. Les utilisateurs sont responsables des pertes ou dommages résultant d'une mauvaise utilisation de ce produit.

Batteries et charge

- N'utilisez pas de batterie et de base d'auto-lavage de tiers. À utiliser uniquement avec le modèle RCS9 fourni.

Informations sur la sécurité

Batteries et charge

- N'essayez pas de démonter, réparer ou modifier la batterie ou la station de base par vous-même.
- Ne placez pas la station de base à proximité d'une source de chaleur.
- N'utilisez pas un chiffon humide ou des mains mouillées pour essuyer ou nettoyer les contacts de charge de la station de base.
- Ne jetez pas vos batteries usagées de façon incorrecte. Les batteries inutilisées doivent être jetées aux centres de recyclage appropriés.
- Si le cordon d'alimentation est endommagé ou rompu, cessez immédiatement de l'utiliser et contactez le service après-vente.
- Dans la mesure du possible, assurez-vous que le robot est éteint lorsque vous le transportez et rangez-le dans son emballage d'origine.
- Si vous ne prévoyez pas d'utiliser le robot pendant une période prolongée, chargez-le complètement, éteignez-le, puis entreposez-le dans un endroit frais et sec. Rechargez le robot au moins une fois tous les 3 mois pour éviter un déchargement excessif de la batterie.
- La batterie lithium-ion contient des substances dangereuses pour l'environnement. Avant de mettre le robot aspirateur au rebut, retirez d'abord la batterie pour la jeter ou la recycler conformément à la législation et à la réglementation locales du pays ou de la région dans lequel ou laquelle il est utilisé.
- Lorsque vous retirez les batteries du produit, il est préférable de les décharger complètement et de vous assurer que votre produit est débranché de la source d'alimentation.

Informations sur la sécurité

Batteries et charge

- 1) Dévissez la vis au bas, puis retirez le couvercle.
- 2) Débranchez le connecteur des batteries, puis retirez les batteries. N'endommagez pas le boîtier des batteries pour éviter tout risque de blessure.
- 3) Rapportez les batteries à un organisme de recyclage professionnel.

Informations sur la sécurité liée à l'utilisation du laser

- Le capteur laser dans ce produit répond à la norme IEC 60825-1:2014/EN 60825-1:2014/A11:2021 pour les produits laser de classe 1. Veuillez éviter le contact visuel direct avec le produit pendant l'utilisation.

PRODUIT LASER DE CLASSE 1

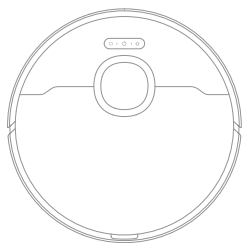
PRODUIT LASER DE CONSOMMATION

EN 50689:2021

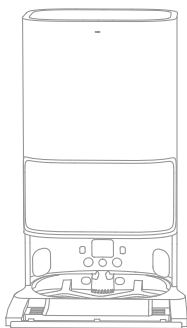
Par la présente, Dreame Trading (Tianjin) Co., Ltd. déclare que cet équipement radio de type RLS6LADC est conforme à la Directive européenne 2014/53/UE. L'intégralité de la déclaration de conformité pour l'UE est disponible à l'adresse suivante: <https://global.dreametech.com>
Pour obtenir un manuel électronique détaillé, rendez-vous sur le site <https://global.dreametech.com/pages/user-manuals-and-faqs>

Présentation du produit

Contenu d'emballage



Robot



Station de base

Autres accessoires



Brosse latérale



Câble d'alimentation



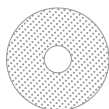
Brosse de nettoyage



Sac de collecte des poussières (rechange)



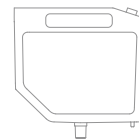
Plaque d'extension de rampe de la station de base



Serpillère x 2 (préinstallées)



Support de la serpillère x 2



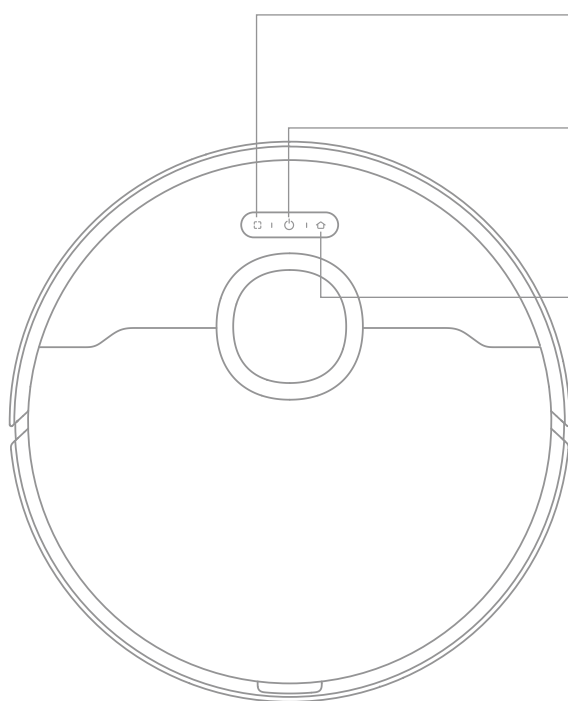
Fluide nettoyant pour sols multi-surfaces



Manuel d'utilisation

Présentation du produit

Robot



🏠 Nettoyage local

- Appuyez brièvement pour commencer le nettoyage local

🔌 Bouton Alimentation/Nettoyage

- Appuyez sur cette touche pendant 3 secondes pour allumer ou éteindre le robot.
- Appuyez brièvement sur cette touche pour lancer le nettoyage après la mise en marche du robot.

🏠 Bouton d'accueil

- Appuyez brièvement pour renvoyer le robot vers la station de base.
- Appuyez et maintenez enfoncé pendant 3 secondes pour désactiver la sécurité enfant.

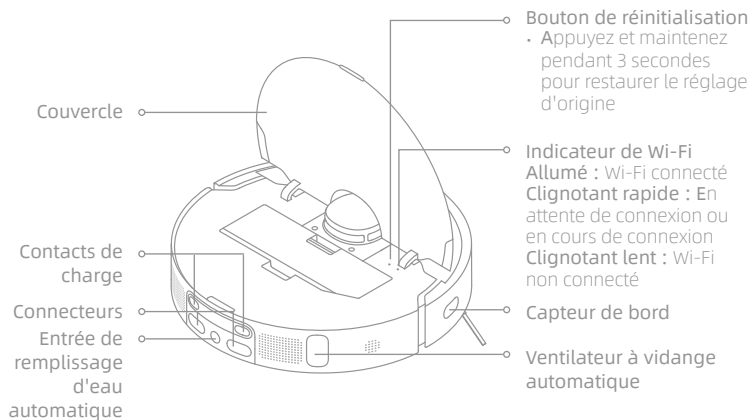
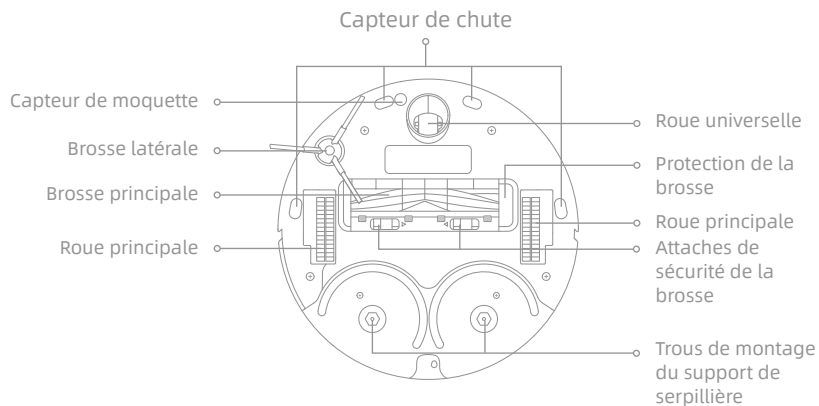
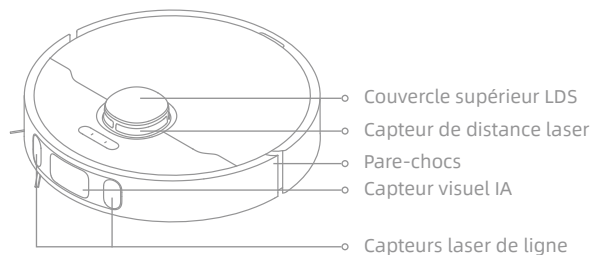
Indicateur d'état

- Lumière blanche : nettoyage en cours ou nettoyé
- Clignotant rapide en orange : Erreur
- Orange fixe : Batterie faible ou en pause

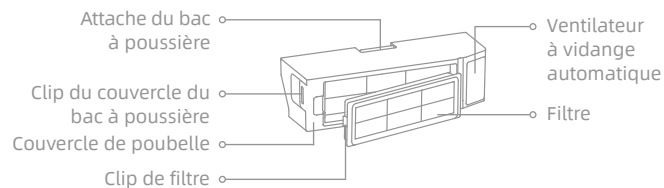
Remarque : appuyez sur tout bouton pour mettre en pause pendant que le robot nettoie ou retourne en charge.

Présentation du produit

Robot et capteurs

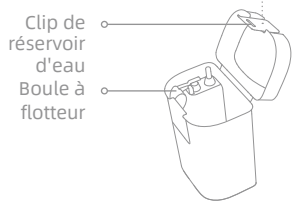
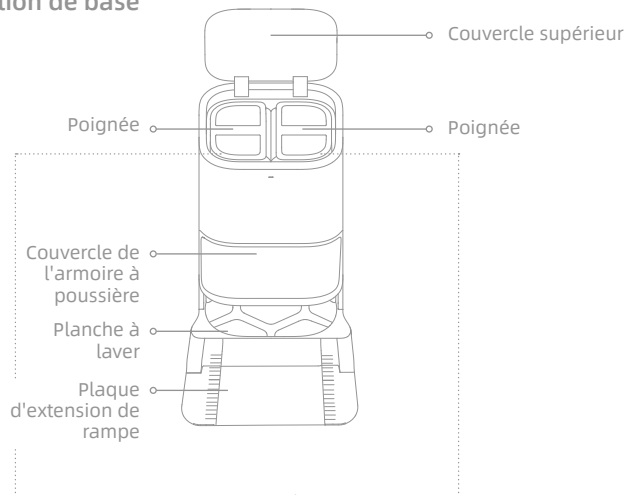


Poubelle

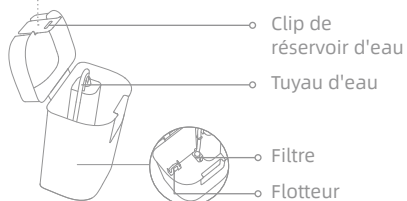


Présentation du produit

Station de base




Réservoir d'eau sale



Réservoir d'eau Propre

Boutons de la station de base

Bouton de sortie



- Appuyez brièvement sur ce bouton pour que le robot quitte la station de base.
- Lorsque le robot n'est pas sur la base, maintenez enfoncé le bouton  sur la station de base pendant 3 secondes pour libérer l'eau propre et nettoyer la base. Puis, appuyez à nouveau sur le bouton pendant 3 secondes pour évacuer l'eau sale.

 **Bouton de Nettoyage** Appuyez brièvement sur ce bouton pour que le robot nettoie toutes les zones.

 **Bouton de Séchage** Appuyez brièvement sur ce bouton pour que la station de base commence ou arrête le séchage des serpillières.

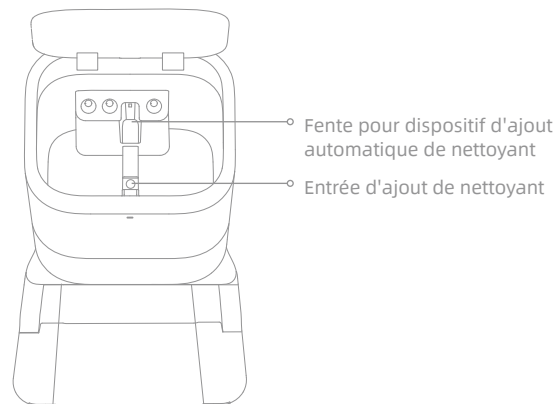
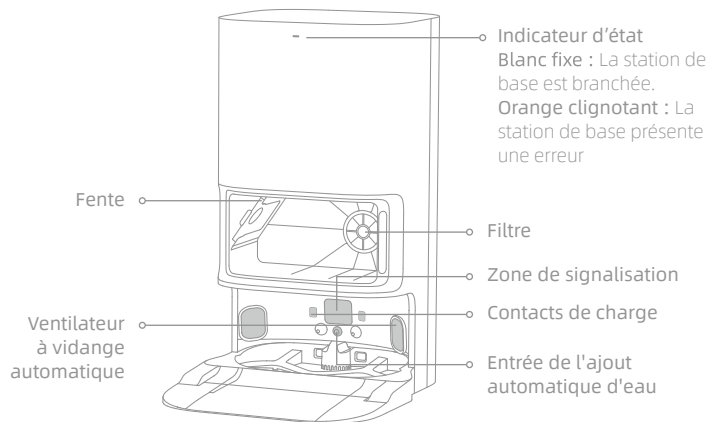
Remarque : les boutons de la station de base ne fonctionnent que si le robot est placé sur la station de base.

Sécurité enfants

Appuyez sur les boutons  et  et maintenez-les enfoncés pendant 3 secondes pour activer ou désactiver la Sécurité Enfants. Une fois la Sécurité Enfants activée, tous les boutons du robot et de la station de base seront verrouillés.

Présentation du produit

Station de base



Assemblage de la serpillière

Zone de fixation de la serpillière

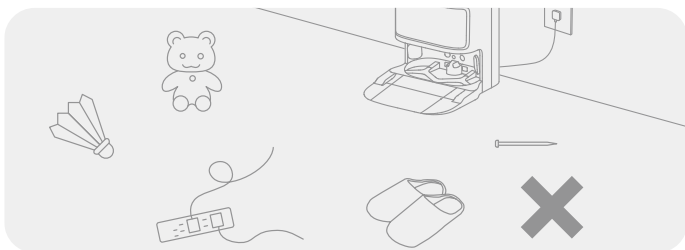


Support de la serpillière

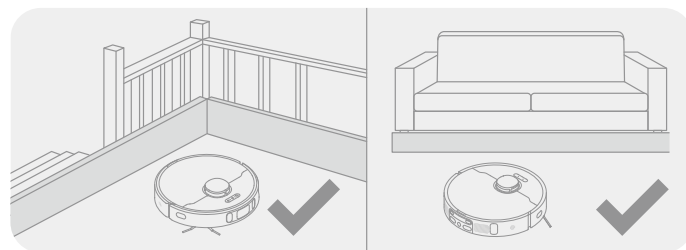


Serpillère

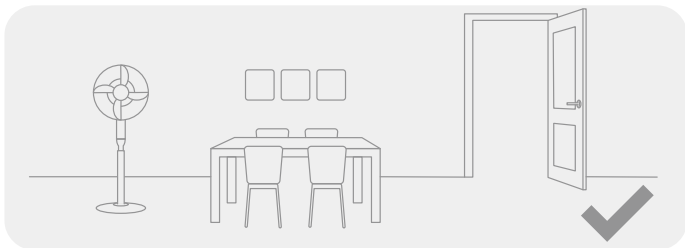
Préparation de votre maison



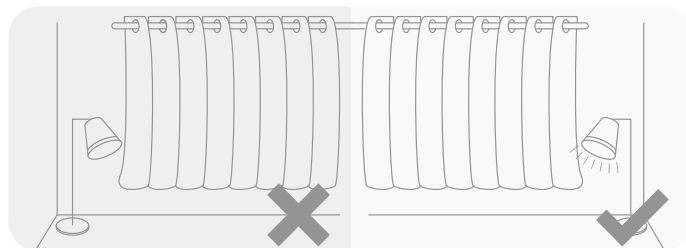
Avant de nettoyer, veuillez enlever les objets instables, fragiles, de valeur ou dangereux, et retirer les câbles, les vêtements, les jouets, les objets durs et les objets tranchants présents sur le sol pour éviter qu'ils ne soient coincés, égratignés et renversés par le robot et de causer des pertes.



Veuillez utiliser des clôtures physiques pour éviter les zones suspendues ou basses avant le nettoyage afin d'assurer la sécurité et le bon fonctionnement du robot.



Ouvrez la porte de la pièce à nettoyer, et rangez les meubles dans un endroit approprié pour faire plus de place.



Avec le capteur visuel AI, le robot peut mieux reconnaître et éviter les obstacles tels que les cordons d'alimentation, les chaussures et les chaussettes. Pour tirer le meilleur parti du capteur visuel AI, assurez-vous que toutes les zones à nettoyer sont bien éclairées.

Remarque :

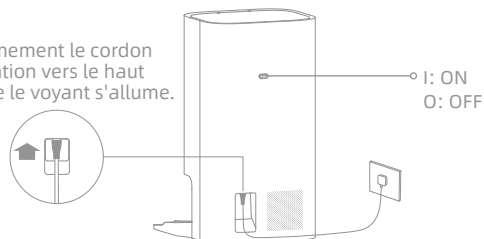
- Lorsque vous utilisez le robot pour la première fois, suivez-le pendant le nettoyage afin d'éliminer tout obstacle potentiel à l'avance.
- Pour éviter que le robot ne reconnaisse pas la zone à nettoyer, ne restez pas devant le robot, sur le palier, dans le couloir ou dans les endroits étroits.
- N'aspirez pas des objets durs tels que des cailloux, des boules en acier et des pièces de jouet, ou des objets tranchants tels que des déchets de construction, du verre brisé et des clous, sinon cela peut rayer le sol.

Avant l'utilisation

1. Raccorder à une prise électrique

Insérez le cordon d'alimentation dans la station de base et branchez-le dans la prise.

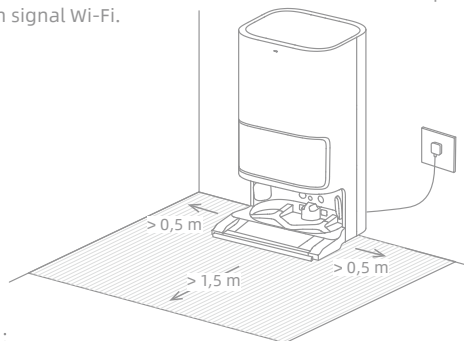
Insérez fermement le cordon d'alimentation vers le haut jusqu'à ce que le voyant s'allume.



2. Placer la station de base

Retirez tous les objets qui se trouvent à moins de 1,5 m de l'avant, 1 m du haut et 0,5 m de chaque côté de la station de base.

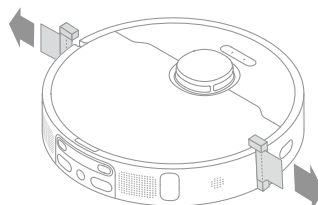
📶 Placez la station de base dans un endroit aussi ouvert que possible avec un bon signal Wi-Fi.



Remarque :

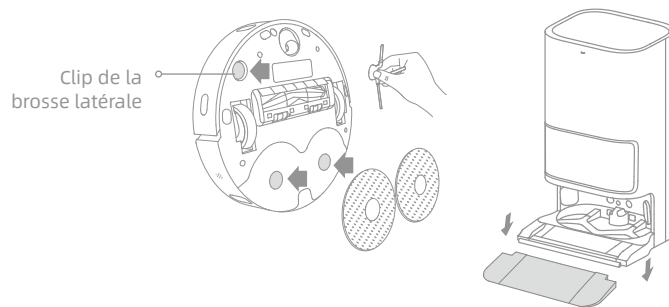
- Assurez-vous qu'aucun objet ne risque de bloquer la zone de signalisation.
- Pour éviter que les taches d'eau ne mouillent les planchers en bois ou les tapis, il est recommandé de placer la station de base sur des sols en carrelage ou en marbre.

3. Retirer les bandes de protection



4. Installer des accessoires principaux

- Placez la brosse latérale et l'unité de serpillière à leur emplacement.
- Fixez la plaque d'extension de rampe de la station de base sur la station de base.

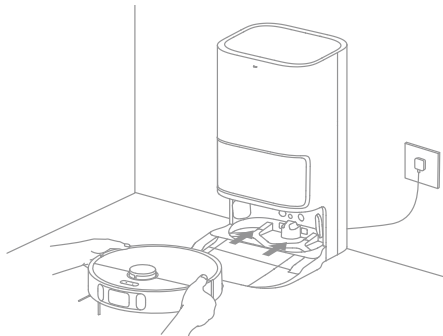


Remarque : installez la brosse latérale jusqu'à ce qu'elle s'enclenche en place.

Avant l'utilisation

5. Placer le robot

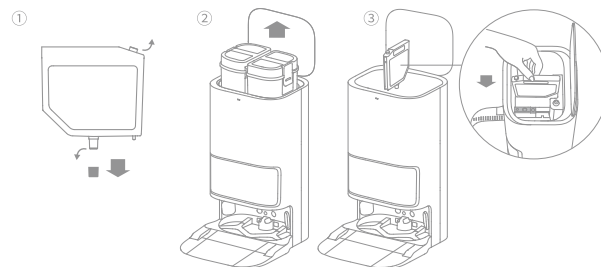
Appuyez sur le bouton d'alimentation du robot et maintenez-le enfoncé pendant 3 secondes pour l'allumer. Placez le robot sur la station de base en orientant l'assemblage de la serpillière vers la planche à laver. Vous entendrez ensuite une notification vocale lorsque le robot se connectera avec succès à la station de base et commencera à se charger. Une fois le robot entièrement chargé, les indicateurs d'état du robot et de la station de base restent allumés pendant 10 minutes, puis s'éteignent.



Remarque : il est recommandé de charger complètement le robot avant sa première utilisation. Lorsque le robot ne peut pas être allumé après que la batterie soit épuisée, connectez manuellement le robot à la station pour le charger.

6. Installer de la bouteille de nettoyant

Retirez le bouchon de la bouteille de nettoyant, et déchirez les joints d'étanchéité sur le haut et le bas de la bouteille. Ouvrez le couvercle supérieur de la station de base et sortez le réservoir d'eau propre et le réservoir d'eau sale. Installez la bouteille de nettoyant le long de la fente en place. Le nettoyant sera ajouté automatiquement pendant le travail.

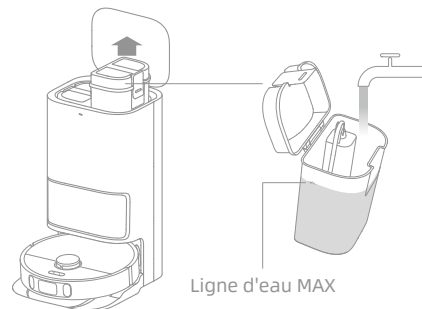


Remarque :

- Retirez le bouchon en caoutchouc souple de l'orifice d'ajout du nettoyant avant la première utilisation.
- N'ajoutez pas de liquide autre que le nettoyant officiellement approuvé afin d'éviter tout dysfonctionnement de la station de base.

7. Ajouter de l'eau dans le réservoir d'eau propre

Remplissez le réservoir d'eau propre jusqu'à la ligne du niveau d'eau maximum, puis installez le réservoir d'eau propre et le réservoir d'eau sale.



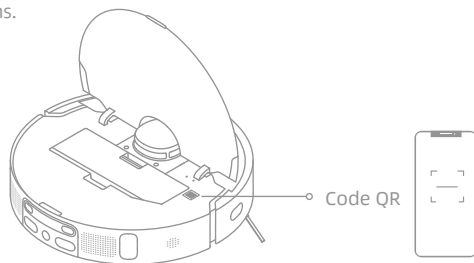
Remarque : ne remplissez pas d'eau chaude, sinon le réservoir risque de se déformer.

FR Connexion avec Dreamehome App

Ce produit fonctionne avec l'application Dreamehome, afin de contrôler votre appareil.

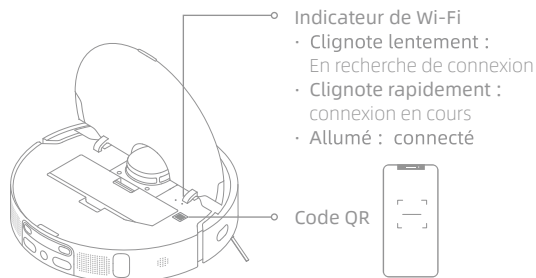
1. Télécharger l'application Dreamehome

Scannez le code QR sur le robot, ou recherchez "Dreamehome" dans la boutique d'applications pour télécharger et installer l'application en fonction de vos besoins.



2. Ajouter un appareil

Ouvrez l'application Dreamehome, appuyez sur « + » en haut à droite et scannez à nouveau le même code QR pour ajouter « Dreame L10s Ultra ».



- Indicateur de Wi-Fi
- Clignote lentement : En recherche de connexion
 - Clignote rapidement : connexion en cours
 - Allumé : connecté

Remarque :

- Seul le Wi-Fi 2,4GHz est pris en charge.
- Le logiciel de l'application est en cours de mise à jour, les opérations réelles peuvent être différentes des instructions dans ce manuel. Veuillez suivre les instructions en fonction de la version actuelle de l'application.

3. Réinitialiser le Wi-Fi

Appuyez simultanément sur le bouton d'alimentation et le bouton de station d'accueil et maintenez-les enfoncés jusqu'à ce que vous entendiez une invite vocale indiquant « En attente de la configuration du réseau. » L'indicateur Wi-Fi clignote lentement pour indiquer que le Wi-Fi a été réinitialisé avec succès.

Remarque :

- lorsque votre téléphone ne parvient pas à se connecter au robot, réinitialisez le Wi-Fi et ajoutez à nouveau l'appareil.
- Pour déconnecter l'appareil du réseau Wi-Fi, maintenez le bouton de réinitialisation du robot enfoncé pendant 3 secondes.

Mode d'utilisation

Cartographie rapide

Après avoir configuré le réseau pour la première fois, suivez les instructions de l'application pour créer rapidement une carte, et le robot commencera à cartographier sans nettoyage. Le processus de cartographie sera terminé lorsque le robot retournera à la station, et la carte sera enregistrée automatiquement.

Allumer/Éteindre

Appuyez sur le bouton d'alimentation et maintenez-le enfoncé pendant 3 secondes pour allumer le robot, et le voyant d'alimentation est allumé en permanence. Placez le robot sur la base, et le robot s'allume automatiquement et commence à se charger. Pour éteindre le robot, éloignez-le de la station de base, appuyez sur le bouton d'alimentation et maintenez-le enfoncé pendant 3 secondes.

Pause/Veille

Lorsque le robot fonctionne, appuyez sur tout bouton pour le mettre en pause.

Si le robot se met en pause pendant plus de 10 minutes, il passe automatiquement en mode veille, et le voyant d'alimentation et le voyant de charge s'éteignent. Appuyez sur un bouton du robot ou de la base, ou tapez sur l'APP pour réveiller le robot.

Remarque :

- Le robot s'éteint automatiquement s'il reste en mode veille pendant plus de 12 heures.
- Si le robot est mis en pause et placé sur la station de base, le processus de nettoyage en cours se termine.

Mode Ne pas déranger (DND)

Lorsque le robot est réglé en mode Ne pas déranger (DND), le robot ne peut pas reprendre le nettoyage et le voyant d'alimentation s'éteint. Le mode DND est désactivé par défaut en usine. Vous pouvez utiliser l'application pour activer le mode DND ou modifier la période de DND. La période de mise en veille est de 22:00-8:00 par défaut.

Remarque :

- Les tâches de nettoyage programmées seront effectuées à l'heure pendant la période de mise en veille.
- Le robot reprend le nettoyage du point où il s'est arrêté après l'expiration de la période de mise en veille.

Nettoyage local

Lorsque le robot est en attente, appuyez brièvement sur le bouton [] pour activer le mode de nettoyage localisé. Dans ce mode, le robot nettoie une surface carrée de 1,5 × 1,5 mètres autour de lui, et retourne à son point de départ à la fin du nettoyage localisé.

Redémarrage du robot

Si le robot ne répond plus ou ne peut pas être éteint, appuyez sur le bouton d'alimentation et maintenez-le enfoncé pendant 10 secondes pour forcer l'arrêt. Ensuite, appuyez sur le bouton d'alimentation et maintenez-le enfoncé pendant 3 secondes pour allumer le robot.

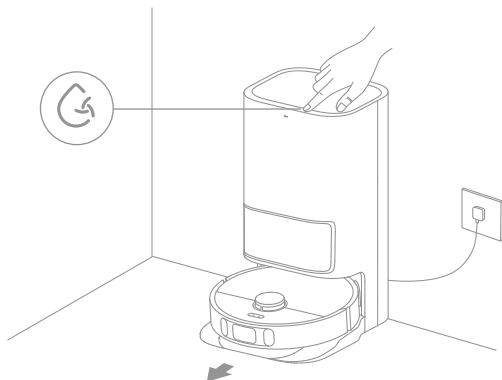
Mode d'utilisation

Balayage et Serpillière

Remarque : lors de la première utilisation de l'assemblage de la serpillière, le robot effectue la tâche de balayage et de serpillière par défaut.

1. Démarrer le balayage et le nettoyage

Appuyez sur le bouton de nettoyage de la station de base ou sur le bouton d'alimentation du robot, ou utilisez l'application pour faire démarrer le robot à partir de la station de base. Ensuite, le robot planifiera l'itinéraire de nettoyage optimal et effectuera la tâche de nettoyage en fonction de la carte créée.

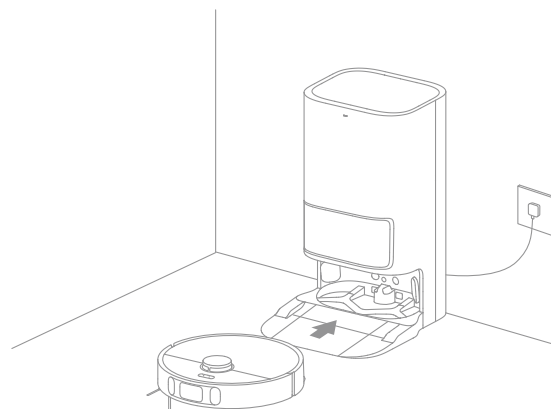


Remarque :

- Les serpillières seront nettoyées avant que le robot ne commence à nettoyer, veuillez attendre avec patience.
- Ne déplacez pas la station de base, le réservoir d'eau propre, le réservoir d'eau sale ou la planche à laver pendant son fonctionnement.

2. Revenir au lavage de la serpillière au cours d'une tâche de nettoyage.

Pendant le passage de serpillière, le robot retourne automatiquement à la station de base pour nettoyer les serpillières en fonction de la fréquence de nettoyage des serpillières spécifiée dans l'application. Ensuite, la station de base remplira automatiquement le réservoir d'eau du robot, et le robot reprendra le nettoyage après le remplissage d'eau.

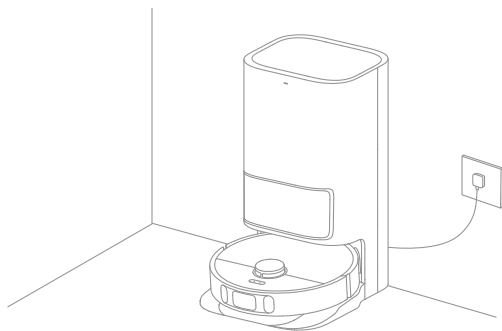


Remarque : si le robot retourne à la station de base pour nettoyer les serpillières à mi-chemin, la station de base ne videra pas automatiquement le bac à poussière.

Mode d'utilisation

3. Nettoyer et sécher les serpillières après avoir vidé le bac à poussière

Une fois que le robot a terminé une tâche de nettoyage et qu'il retourne à la station de base pour se recharger, la station de base commence automatiquement à vider le bac à poussière, puis à nettoyer et à sécher les tampons.



Remarque :

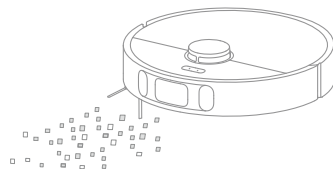
- Lorsque le robot revient à mi-chemin vers la station de base pour nettoyer les serpillières, la station de base ne vide pas automatiquement le bac à poussière.
- Si la fonction de vidage automatique est désactivée dans l'application, la station de base ne videra pas automatiquement le bac à poussière.
- La station de base videra le bac à poussière en fonction de la fréquence définie dans l'application.

4. Nettoyer le réservoir d'eau sale

Une fois que le robot a terminé sa tâche, veuillez nettoyer le réservoir d'eau usagée pour éviter toute odeur.

Balayage

Pour utiliser uniquement la fonction de balayage, sélectionnez "Balayage" dans l'application, ou retirez l'assemblage de la serpillière du robot et le robot passera automatiquement en mode balayage.



Remarque : si l'assemblage de la serpillière n'est pas retiré du robot, vous pouvez sélectionner le mode balayage sur l'application, et le robot soulèvera automatiquement l'assemblage de la serpillière avant le balayage.

Assurez-vous que la station de base est branchée et que le robot est connecté à la station de base. Appuyez sur le bouton de nettoyage de la station de base ou sur le bouton d'alimentation du robot, ou utilisez l'application pour faire démarrer le robot à partir de la station de base.

Remarque : pour que le robot puisse revenir facilement à la station de base après le nettoyage, il est recommandé de faire démarrer le robot à partir de la station de base et d'éviter de déplacer la station de base pendant le nettoyage.

Maintenance de routine

Pièces

Pour maintenir le robot en bon état, il est recommandé de consulter le tableau suivant pour l'entretien courant.

Pièces	Fréquence d'entretien	Fréquence de remplacement
Réservoir d'eau sale	Après chaque utilisation	
Réservoir d'Eau Propre	Une fois toutes les 2 semaines	/
Brosse principale		Tous les 6 à 12 mois
Filtre du sac à poussière		Tous les 3 à 6 mois
Brosse latérale		
Planche à laver	Une fois par mois	/
Zone de signalisation de la station de base		
Contacts de charge de la station de base		
Évent de vidange automatique de la station de base		
Roue universelle		
Capteur de bord		
Capteur de distance laser		
Capteur laser linéaire		

Pièces	Fréquence d'entretien	Fréquence de remplacement	
Capteur visuel IA	Une fois par mois	/	
Capteur de moquette			
Capteur de chute			
Contacts de charge sur le robot			
Pare-chocs			
Orifice de vidange automatique du robot			
Entrée de remplissage d'eau automatique du robot			
Bas du robot			
Entrée d'ajout de nettoyant			Nettoyage recommandé après avoir retiré le nettoyant (bouteille)
Poubelle			Nettoyez si nécessaire
Sac de collecte de la poussière	/	6 à 8 semaines	
Serpillière		Tous les 1 à 3 mois	

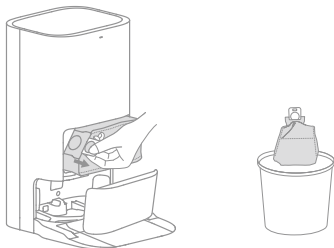
Remarque : la fréquence de remplacement dépend de l'utilisation que vous faites du robot. Si une exception se produit en raison de circonstances particulières, les pièces doivent être remplacées.

Maintenance de routine

Sac de collecte de la poussière

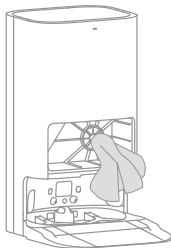
Lorsque le sac de collecte de la poussière doit être remplacé, une notification apparaît dans l'application.

1. Jetez le sac de collecte de la poussière.

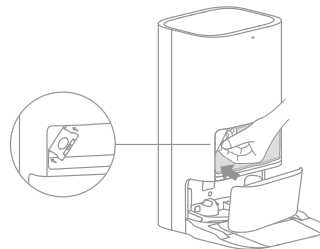


Remarque : en tirant vers le haut sur la poignée, vous scellerez le sac pour éviter que la poussière et les débris ne tombent accidentellement.

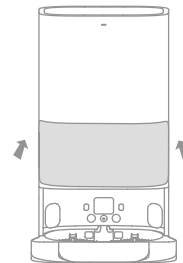
2. Retirez la poussière et les débris du filtre à l'aide d'un chiffon sec.



3. Installez un nouveau sac de collecte de la poussière.



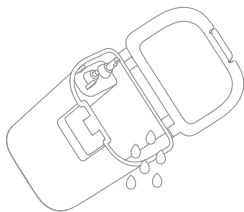
4. Fermez le couvercle de l'armoire à poussière.



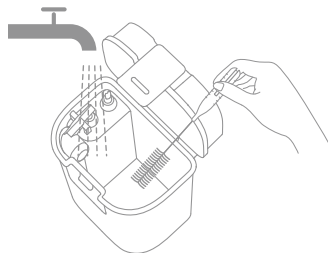
Maintenance de routine

Réservoir d'eau sale

1. Retirez le réservoir d'eau sale, ouvrez son couvercle et versez l'eau sale.



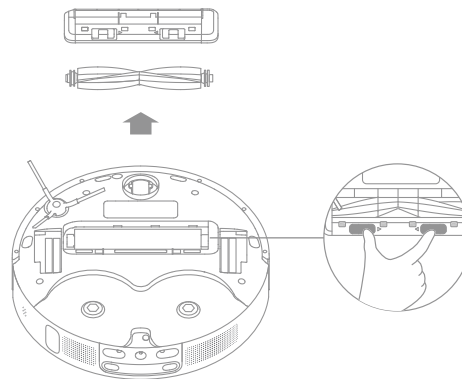
2. Rincez le réservoir d'eau sale avec de l'eau propre et utilisez la brosse de nettoyage fournie pour nettoyer la paroi intérieure du réservoir.



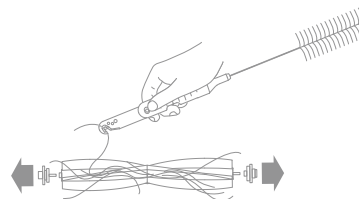
Remarque : le flotteur du réservoir d'eau sale est une pièce mobile. Ne forcez pas trop lorsque vous la nettoyez pour éviter de l'endommager.

Brosse principale

1. Appuyez sur les clips de protection de la brosse vers l'intérieur pour retirer la protection de la brosse et soulever la brosse pour la sortir du robot.



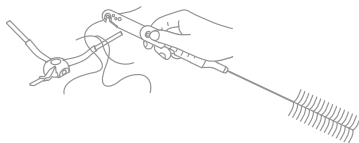
2. Ouvrez le cache de la brosse et avec un outil approprié retirez les poils et cheveux emmêlés dans la brosse.



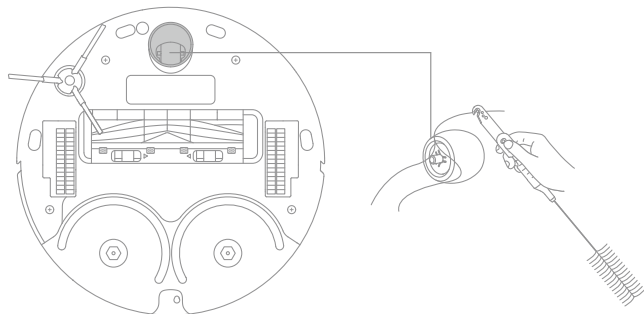
Maintenance de routine

Brosse latérale

Retirez et nettoyez la brosse latérale.



Roue universelle

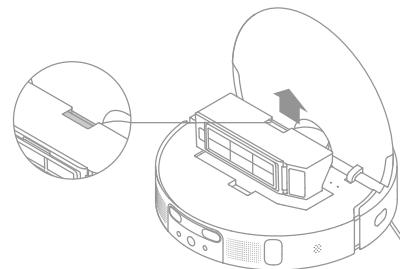


Remarque :

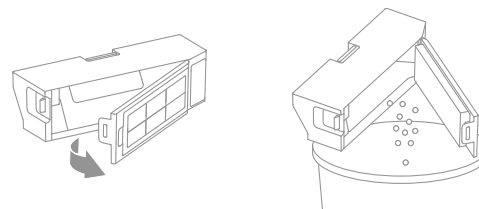
- Utilisez un outil tel qu'un petit tournevis pour séparer l'essieu et le pneu de la roue universelle. Ne le faites pas de force brute.
- Rincez la roue universelle sous l'eau courante et remettez-la en place après l'avoir complètement séchée.

Bac à poussière

1. Ouvrez le couvercle du robot et appuyez sur l'attache du bac à poussière pour le retirer.



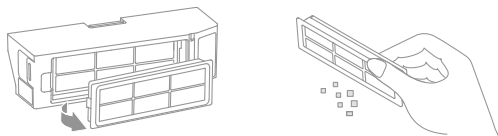
2. Ouvrez le couvercle du bac et videz le bac comme indiqué sur le schéma.



Maintenance de routine

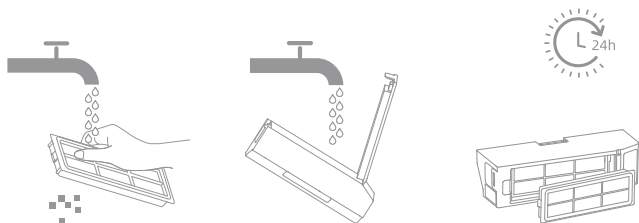
Filtre

1. Retirez le filtre et tapez doucement sur son panier.



Remarque : n'essayez pas de nettoyer le filtre avec une brosse, un doigt ou des objets pointus pour éviter de l'endommager.

2. Rincez le bac à poussière et le filtre à l'eau et séchez-les complètement avant de les réinstaller.



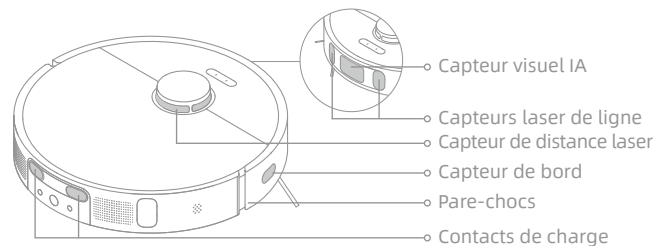
Remarque :

- Rincez le bac à poussière et le filtre à l'eau claire uniquement. N'utilisez pas de détergent.
- N'utilisez le bac à poussière et le filtre que lorsqu'ils sont complètement secs.

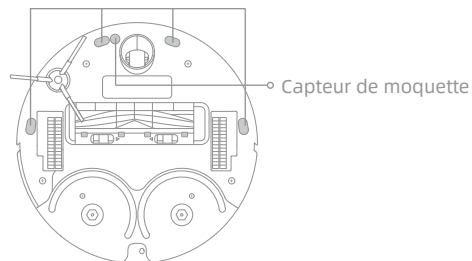
Capteurs et contacts de charge du robot

Essuyez les capteurs et les contacts de charge du robot à l'aide d'un chiffon doux et sec :

- Les capteurs de chute et le capteur à ultrasons situés sur la partie inférieure du robot.
- Contacts de charge à l'arrière du robot
- Le capteur de bord sur le côté du robot
- LDS sur le haut du robot
- Le pare-chocs, le capteur visuel AI et les capteurs laser de ligne à l'avant du robot.



Capteurs de chute

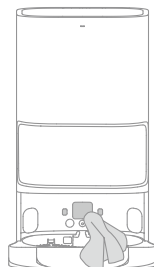


Remarque : un chiffon humide peut endommager les éléments sensibles du robot et de la station de base. Veuillez utiliser un chiffon sec pour le nettoyage.

Maintenance de routine

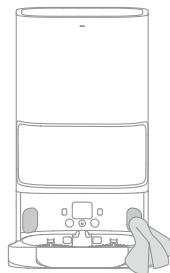
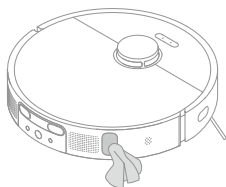
Contacts de charge

Nettoyez les contacts de charge et la zone de signalisation de la station de base avec un chiffon doux et sec.



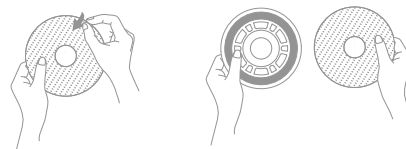
Évents de vidange automatique

Nettoyez les évents de vidange automatique du robot et de la station de base avec un chiffon doux et sec.



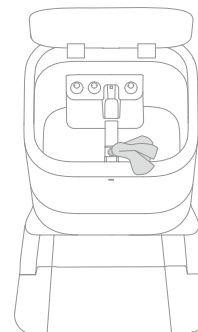
Serpillère

Retirez la serpillère de son support pour le remplacer.



Entrée d'ajout de nettoyant

Si l'entrée d'ajout de nettoyant est sale, essuyez-la avec un chiffon doux et sec.



Batterie

Le robot est équipé d'une batterie lithium-ion de haute performance. Veillez à ce que la batterie reste bien chargée lors d'une utilisation quotidienne afin de maintenir des performances optimales. Si le robot n'est pas utilisé pendant une longue période, éteignez-le et rangez-le. Pour éviter les dommages dus à une décharge excessive, chargez le robot au moins une fois tous les trois mois.

Problème	Solution
Le robot ne s'allume pas	La batterie est trop faible. Rechargez le robot sur la base et réessayez. La température de la batterie est trop basse ou trop élevée. Il est recommandé de faire fonctionner l'appareil à une température entre 32°F (0°C) et 104°F (40°C).
Le robot ne se charge pas.	La station de base n'est pas alimentée, vérifiez que les deux extrémités de son cordon d'alimentation sont correctement branchées. Le contact entre les contacts de charge de la station de base et du robot est mauvais, veuillez nettoyer les contacts de charge. Vérifiez qu'il n'y a pas de corps étranger au niveau du connecteur du robot et, le cas échéant, retirez-le.
Le robot ne parvient pas à se connecter au Wi-Fi.	Le mot de passe du réseau Wi-Fi est incorrect. Assurez-vous que le mot de passe utilisé pour vous connecter à votre réseau Wi-Fi est correct. Le robot ne prend pas en charge une connexion Wi-Fi 5 GHz. Assurez-vous que le robot est connecté à une connexion Wi-Fi de 2,4 GHz. Le signal Wi-Fi est faible. Assurez-vous que le robot se trouve dans une zone avec une bonne couverture Wi-Fi. Le robot n'est peut-être pas prêt à être configuré. Quittez et entrez à nouveau dans l'application, puis réessayez en suivant les instructions.
Le robot ne peut pas trouver et retourner à la station de base.	La station de base est déconnectée de l'alimentation ou déplacée alors que le robot ne s'y trouve pas. Il y a trop d'obstructions autour de la station de base. Placez la station de base dans une zone plus ouverte. Le déplacement du robot peut l'amener à se repositionner, et il recréera une carte si le repositionnement échoue. Si le robot est trop éloigné de la station de base, il risque de ne pas revenir automatiquement, auquel cas vous devrez placer manuellement le robot sur la station de base. Essuyez la zone de signalisation de la station de base pour éliminer la poussière ou les débris.

Problème	Solution
Le robot reste bloqué devant la station de base et ne peut pas y retourner.	<p>Dégagez toute obstruction dans un rayon de 0,5 m sur les côtés gauche et droit ou dans un rayon de 1,5 m devant la station de base pour éviter que le robot ne soit bloqué.</p> <p>L'itinéraire de retour à la charge est bloqué, par exemple, la porte est fermée.</p> <p>Le robot risque de se glisser si le sol devant la station de base est trop humide. Dans ce cas, nettoyez l'excès d'eau avant de réessayer.</p> <p>Il est recommandé de déplacer la station de base à un autre endroit et de réessayer.</p>
Le robot ne s'éteint pas.	<p>Le robot ne peut pas être éteint lorsqu'il est en charge. Il est recommandé de déplacer le robot de la station de base, puis d'appuyer sur le bouton d'alimentation et le maintenir enfoncé pendant 3 secondes pour l'éteindre.</p> <p>Si le robot ne peut pas être éteint en effectuant l'étape 1, appuyez sur le bouton d'alimentation et maintenez-le enfoncé pendant 10 secondes pour forcer l'arrêt du robot. Si le problème persiste, contactez le service après-vente.</p>
La vitesse de charge est ralentie.	<p>Il faut environ 6 heures pour charger complètement le robot lorsque sa batterie est faible.</p> <p>Si vous faites fonctionner le robot à des températures hors de la plage spécifiée, la vitesse de charge ralentira automatiquement pour prolonger la durée de vie de la batterie.</p> <p>Les contacts de charge du robot et de la base peuvent être sales, veuillez les essuyer avec un chiffon sec.</p>
Le bruit augmente pendant le fonctionnement du robot.	<p>Vérifiez si le filtre du bac à poussière est bouché. Si c'est le cas, nettoyez-le ou remplacez-le.</p> <p>Un objet dur peut être pris dans la brosse en caoutchouc multi-surfaces ou dans le bac à poussière. Vérifiez et retirez tout objet dur.</p> <p>La brosse en caoutchouc multi-surfaces ou la brosse latérale risquent de s'emmêler. Vérifiez et retirez tout objet étranger.</p> <p>Passer le mode d'aspiration sur Standard ou Silence.</p>
Le robot se déplace sans suivre l'itinéraire défini.	<p>Les objets tels que les câbles d'alimentation et les pantoufles doivent être rangés avant d'utiliser le robot.</p> <p>Le travail sur des surfaces humides et glissantes entraîne le glissement de la roue principale. Il est recommandé de sécher les endroits humides avant d'utiliser le robot.</p> <p>Essuyez les capteurs laser de ligne et le capteur visuel AI du robot à l'aide d'un chiffon propre et doux pour les garder propres et dégagés.</p>

Problème	Solution
Le robot rate les pièces à nettoyer.	Assurez-vous que les portes des pièces à nettoyer sont ouvertes. Vérifiez qu'il n'y a pas de seuil supérieur à 2 cm à la porte de la pièce. Le robot ne peut pas franchir des seuils ou des marches élevés. L'endroit devant la pièce à nettoyer est humide et glissant, ce qui fait que le robot glisse et travaille anormalement. Il est recommandé de sécher le sol avant d'utiliser le robot.
Le robot ne reprend pas le nettoyage après la charge.	Assurez-vous que le robot n'est pas en mode Ne Pas Déranger (DND), ce qui l'empêcherait de reprendre le nettoyage. Le robot ne reprend pas le nettoyage après que vous ayez ramené manuellement le robot sur la station de base pour le charger, ce qui inclut le fait de placer manuellement le robot sur la station de base ou d'envoyer le robot en charge via l'appli ou le robot lui-même.
Le robot ne répond pas lorsque vous appuyez sur les boutons de la station de base.	Il est possible que le robot se trouve hors de la portée sans fil de la station de base. Ramenez manuellement le robot à la station de base ou utilisez l'appli pour le ramener.
La station ne peut pas vider automatiquement le bac à poussière.	Vérifiez si le sac de collecte de la poussière dans l'armoire à poussière est plein. Si le sac de collecte de la poussière n'est pas plein, vérifiez s'il y a une obstruction au niveau des événements de vidange automatique du robot, de la station de base ou du bac à poussière. Si c'est le cas, nettoyez la partie obstruée à temps.
Le niveau d'eau dans la planche à laver est anormal.	Retirez la planche à laver et vérifiez si l'évacuation de l'eau usée est bloquée et nettoyez-la. Appuyez délicatement sur le réservoir d'eau usagée pour vous assurer qu'il est correctement installé. Vérifiez si le joint du réservoir d'eau usagée est desserré ou mal installé, et réinitialisez-le manuellement si c'est le cas. Si le problème persiste, veuillez contacter l'équipe du service après-vente. Vérifiez le nettoyeur. N'ajoutez pas de liquide autre que le nettoyeur officiellement approuvé.

Pour de l'aide, contactez-nous via <https://global.dreametech.com>

Spécifications

Robot

Modèle	RLS6LADC
Temps de charge	Environ 6 heures
Tension nominale	14,4 V ---
Puissance nominale	75 W
Fréquence de fonctionnement	2400-2483,5 MHz
Puissance maximale en sortie	<20 dBm

Station de base/station de recharge

Consommation électrique en mode arrêt : $\leq 0,3$ W

Consommation électrique en mode veille : $\leq 0,5$ W (dans les 15 minutes une fois que le robot a quitté la station de base/station de recharge)

Robot et station de base/station de recharge

L'équipement ne dispose pas d'un mode veille ou d'autres états équivalents en termes d'exigences de veille, de fonction de gestion de l'alimentation ou de capacité à désactiver les connexions au réseau sans fil en raison des besoins d'entretien de la batterie. La consommation d'énergie de l'équipement est susceptible d'être plus élevée que celle d'autres modèles d'équipement répondant à ces exigences fonctionnelles.

WEEE-Informationen



Tous les produits portant ce symbole deviennent des déchets d'équipements électriques et électroniques (DEEE dans la Directive européenne 2012/19/UE) qui ne doivent pas être mélangés aux déchets ménagers non triés. Vous devez contribuer à la protection de l'environnement et de la santé humaine en apportant l'équipement usagé à un point de collecte dédié au recyclage des équipements électriques et électroniques, agréé par le gouvernement ou les autorités locales. Le recyclage et la destruction appropriés permettront d'éviter tout impact potentiellement négatif sur l'environnement et la santé humaine. Contactez l'installateur ou les autorités locales pour obtenir plus d'informations concernant l'emplacement ainsi que les conditions d'utilisation de ce type de point de collecte.

Station de base

Modèle	RCS9
Entrée nominale	220-240 V~ 50-60 Hz
Sortie nominale	20 V --- 2 A
Alimentation (pendant le dépoussiérage)	1000 W
Alimentation (pendant le nettoyage)	55 W
Alimentation (séchage+rechargement)	78 W

Dans des conditions normales d'utilisation, une distance d'au moins 20 cm entre l'antenne de cet équipement et le corps de l'utilisateur doit être maintenue.



Points de collecte sur www.quefairedemesdechets.fr
Privilégiez la réparation ou le don de votre appareil !

Informazioni di sicurezza

Per evitare scosse elettriche, incendi o lesioni causate da un uso improprio dell'apparecchio, per favore leggi attentamente il manuale utente prima di usare l'apparecchio e conservalo per riferimento futuro.

Restrizioni per l'utilizzo

- Questo prodotto non deve essere utilizzato da bambini di età inferiore a 8 anni, né da persone con deficit fisici, sensoriali, cognitivi, esperienza o conoscenza limitata, senza la supervisione di un genitore o tutore, al fine di garantire la sicurezza del funzionamento ed evitare eventuali rischi. La pulizia e la manutenzione non devono essere eseguite da bambini senza supervisione.
- L'apparecchio deve essere utilizzato esclusivamente con l'alimentatore fornito con l'apparecchio.
- Questo prodotto contiene batterie che possono essere sostituite soltanto da tecnici qualificati o dal servizio di assistenza post-vendita.
- Pulisci l'area da pulire. Non consentire ai bambini di giocare con questo prodotto. Assicurarsi che bambini e animali domestici siano a distanza di sicurezza dal robot mentre è in funzione.
- Non installare, ricaricare o usare l'apparecchio nei bagni o intorno alle piscine.
- Questo prodotto deve essere usato solo per pulire i pavimenti di casa. Non va usato all'esterno, su superfici diverse dai pavimenti o in ambito commerciale o industriale.
- Assicurati che l'apparecchio funzioni correttamente in un ambiente adeguato. Altrimenti, non usare l'apparecchio.
- Se il cavo di alimentazione è danneggiato, deve essere sostituito da un cavo speciale o da uno speciale sistema di cavi disponibile presso il produttore o un responsabile dell'assistenza.

Informazioni di sicurezza

Restrizioni per l'utilizzo

- Non utilizzare il robot in un ambiente sospeso sopra il livello del suolo senza una barriera protettiva.
- Non posizionare il robot capovolto. Non usare la copertura LDS, la copertura del robot o il paraurti come maniglia per il robot.
- Non usare l'robot a una temperatura ambiente oltre i 40 °C o al di sotto di 0 °C o su pavimenti dove sono presenti liquidi o sostanze appiccicose.
- Per evitare danni o danni causati dal trascinarsi, elimina eventuali oggetti sciolti dal pavimento e rimuovi cavi o cavi di alimentazione sul percorso di pulizia prima di usare l'apparecchio.
- Spostare dal pavimento gli oggetti fragili o piccoli per evitare che il robot li urti e li danneggi.
- Tenere lontani capelli, dita e altre parti del corpo dalla boccola di aspirazione del robot.
- Non posizionare la base autolavante vicino a una fonte di calore.
- Non usare l'apparecchio in una stanza dove dorme un neonato o un bambino.
- Non posizionare bambini, animali domestici o nessun altro oggetto sul robot, sia quando è fermo sia quando è in movimento.
- Tieni l'aspirapolvere fuori dalla portata dei bambini.
- Usa solo il detergente ufficialmente approvato. Non aggiungere alcun liquido come alcol o disinfettanti.
- Non usare il robot per pulire eventuali sostanze infiammabili. Non usare il robot per raccogliere liquidi infiammabili o combustibili, gas corrosivi o acidi o solventi non diluiti.
- Non usare l'aspirapolvere su oggetti duri e taglienti. Non usare l'apparecchio

Informazioni di sicurezza

Restrizioni per l'utilizzo

- per raccogliere oggetti come sassi, pezzi di carta grandi o qualsiasi altro oggetto che possa ostruire l'apparecchio.
- Per favore spegni e scollega l'apparecchio prima della pulizia e della manutenzione.
- Non pulire il robot o la stazione di base con un panno umido o risciacquarli con qualsiasi liquido. Dopo aver pulito le parti lavabili, asciuga completamente le parti prima di reinstallarle e usarle.
- Utilizzare il prodotto seguendo le istruzioni fornite nel manuale utente. Gli utenti sono responsabili di eventuali perdite o danni derivanti dall'uso improprio dell'apparecchio.

Batterie e Ricarica

- Non usare qualsiasi batteria di terze parti e base di autolavaggio. Usa solo con unità di alimentazione RCS9.
- Non tentare di smontare, riparare o modificare la batteria o la stazione di base da soli.
- Non posizionare la stazione di base vicino a una fonte di calore.
- Non usare un panno umido o le mani bagnate per strofinare o pulire i contatti di ricarica della stazione di base.
- Non smaltire in modo improprio le batterie usate. Smaltire le batterie non più necessarie in appositi impianti di riciclaggio.
- Se il cavo di alimentazione viene danneggiato o è spezzato, interromperne immediatamente l'utilizzo e contattare il servizio di assistenza post-vendita.
- Accertarsi che l'robot sia spento durante il trasporto e conservarlo nella sua confezione originale, se possibile.

Informazioni di sicurezza

Batterie e Ricarica

- Se il robot non viene utilizzato per diverso tempo, ricaricarlo completamente, quindi spegnerlo e conservarlo in un posto fresco e asciutto. Ricaricare il robot almeno una volta ogni 3 mesi per evitare uno scaricamento eccessivo della batteria.
- La batteria agli ioni di litio contiene sostanze pericolose per l'ambiente. Prima di gettare via l'aspirapolvere robot, rimuovere la batteria, quindi smaltirla o riciclarla in conformità alle leggi e alle normative locali del Paese o dell'area in cui viene utilizzata.
- Prima di rimuovere le batterie, verificare che siano esaurite e che il prodotto sia scollegato dall'alimentazione.
 - 1). Svitare la vite nella parte inferiore e rimuovere il coperchio.
 - 2). Scollegare il connettore delle batterie e rimuovere queste ultime. Non danneggiare il portabatterie per evitare il rischio di lesioni.
 - 3). Conferire le batterie presso le aziende autorizzate al riciclo.

Informazioni di sicurezza sul laser

- Il sensore laser di questo prodotto è conforme allo Standard IEC 60825-1:2014/EN 60825-1:2014/A11:2021 per i prodotti laser di Classe 1. Evitare il contatto diretto con gli occhi durante l'uso.

PRODOTTO LASER DI CLASSE 1

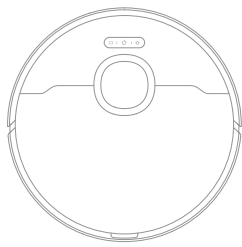
PRODOTTO LASER DI CONSUMO

EN 50689:2021

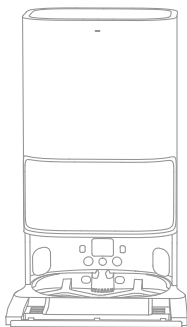
Con la presente, Dreame Trading (Tianjin) Co., Ltd. dichiara che l'apparecchiatura radio di tipo RLS6LADC è conforme alla Direttiva 2014/53/UE. Il testo completo della dichiarazione di conformità UE è disponibile al seguente indirizzo Internet: <https://global.dreametech.com>
Il manuale elettronico dettagliato è disponibile all'indirizzo <https://global.dreametech.com/pages/user-manuals-and-faqs>

Presentazione del prodotto

Contenuto della Confezione



Robot



Stazione di Base

Altri Accessori



Spazzola laterale



Cavo di Alimentazione



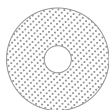
Spazzola per
la pulizia



Sacchetto di raccolta
della polvere
(di ricambio)



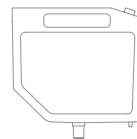
Piastra di estensione
della rampa della
stazione base



Mocio × 2
(preinstallato)



Supporto per
Mocio × 2



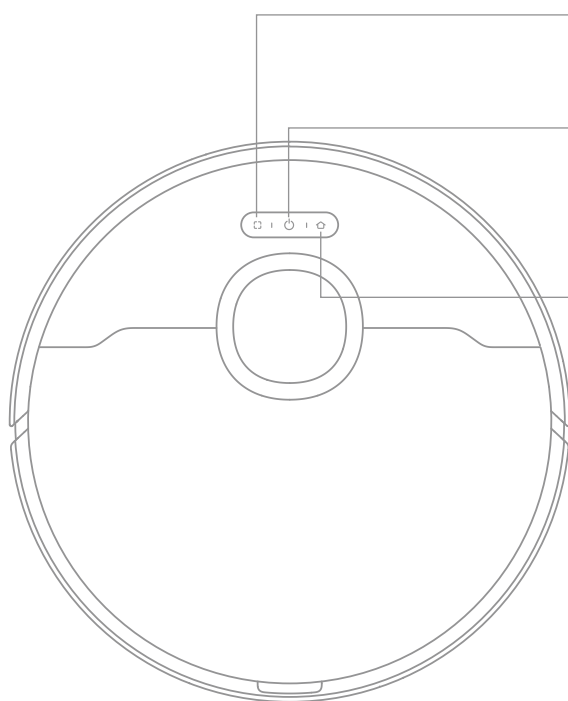
Detergente per Pavimenti
Multi-Superficie



Manuale utente

Presentazione del prodotto

Robot



Pulsante di Pulizia localizzata

- Premi brevemente per avviare la pulizia localizzata.

Pulsante di accensione / pulizia

- Premi e tieni premuto per 3 secondi per accendere o spegnere.
- Premi brevemente per avviare la pulizia dopo che il robot è acceso.

Pulsante Dock

- Premi brevemente per rispedire il robot alla stazione di base.
- Premi e tieni premuto per 3 secondi per disabilitare Blocco Bambini.

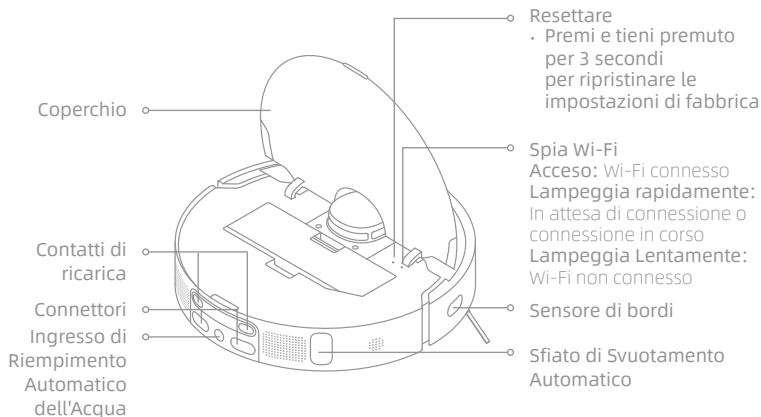
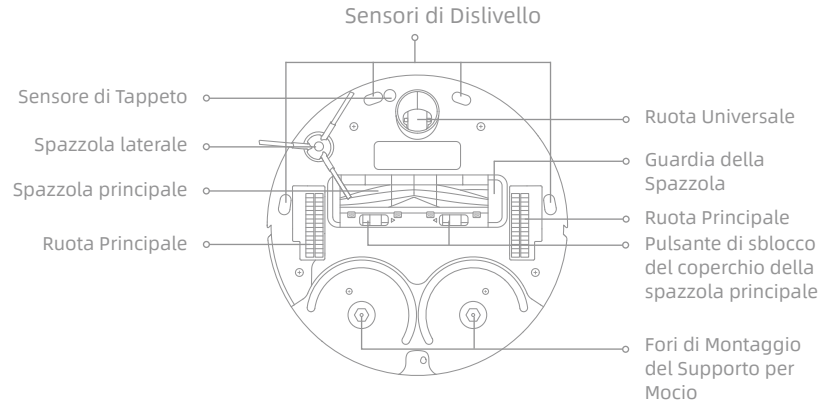
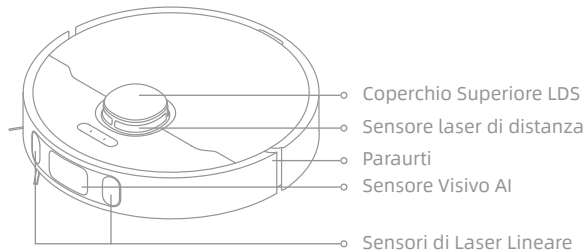
Indicatore di stato

- Bianco Acceso: Pulizia o Pulito
- Arancione Lampeggiante Rapidamente: Errore
- Arancione Fisso: Batteria bassa o in pausa

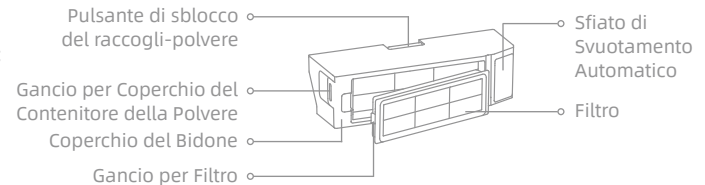
Nota: Premi un pulsante qualsiasi per mettere in pausa mentre il robot sta pulendo o tornando in ricarica.

Presentazione del prodotto

Robot e Sensori

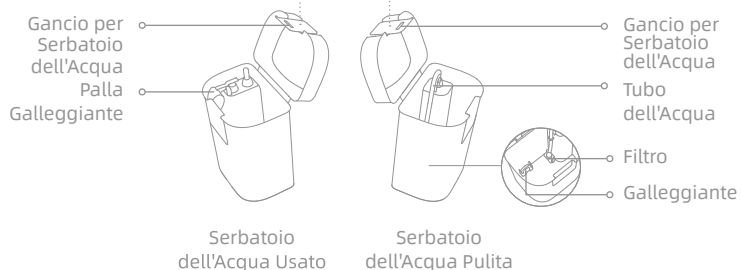
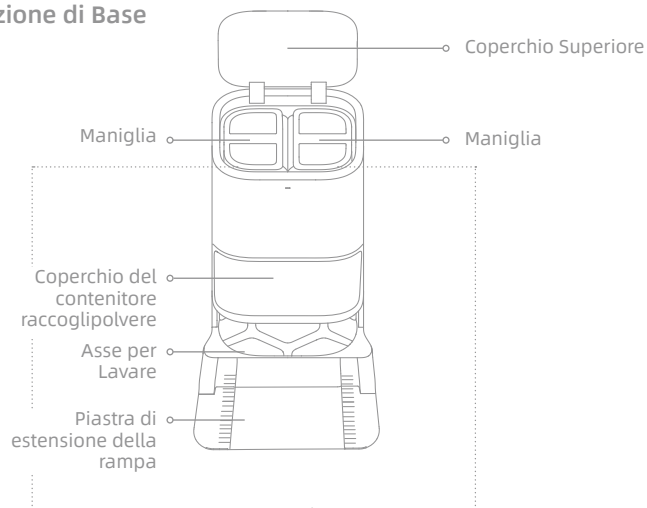


Contentore Raccogli-polvere




Presentazione del prodotto

Stazione di Base



Pulsanti della Stazione di Base

Pulsante Esci

- Premi brevemente per far uscire il robot dalla stazione di base.
- Quando il robot è fuori dalla base, tenere premuto il pulsante  sulla stazione base per 3 secondi per rilasciare acqua pulita per la pulizia della base. Successivamente, premere di nuovo il pulsante per 3 secondi per far uscire l'acqua utilizzata.

Pulsante Pulisci



 Premi brevemente per fare in modo che il robot pulisca tutte le aree

Pulsante Asciuga

 Premi brevemente per avviare la stazione di base o interrompere l'asciugatura dei moci.

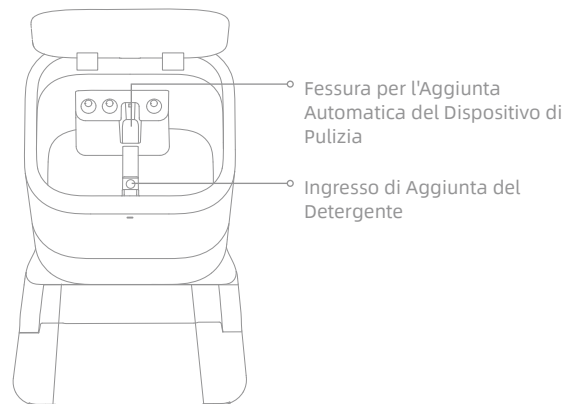
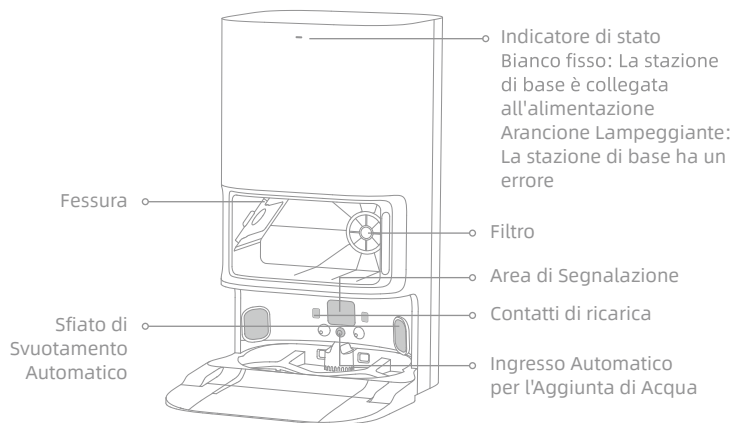
Nota: I pulsanti sulla stazione di base funzioneranno solo quando il robot viene posizionato sulla stazione di base.

Blocco Bambini

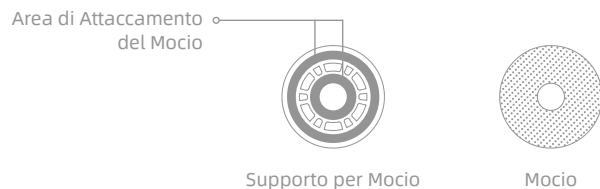
Premi e tieni premuti i pulsanti  e  per 3 secondi per attivare o disattivare il Blocco Bambini. Dopo l'attivazione del Blocco Bambini, tutti i pulsanti del robot e della stazione di base vengono bloccati.

Presentazione del prodotto

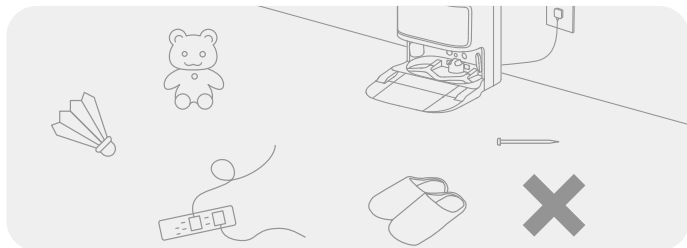
Stazione di Base



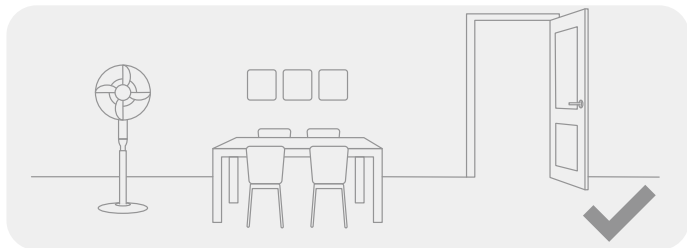
Assemblaggio del Mocio



Prepara la Tua Casa



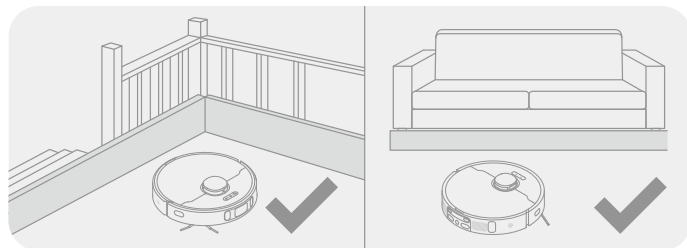
Prima di procedere alla pulizia, allontanare gli oggetti instabili, fragili, di valore o pericolosi e togliere i cavi, i panni, i giocattoli, gli oggetti duri e gli oggetti appuntiti che si trovano a terra, per evitare che il robot possa impigliarsi, graffiarsi o rovesciarsi e causare danni.



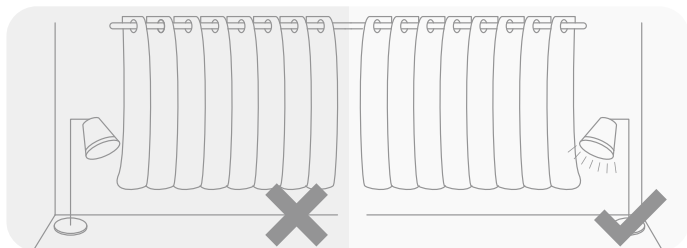
Aprire la porta della zona da pulire e mettere i mobili in posizione ordinata per lasciare uno spazio sufficiente.

Nota:

- Quando usi il robot per la prima volta, seguilo durante la pulizia per rimuovere eventuali ostacoli in tempo.
- Per evitare che il robot non riconosca l'area da pulire, non restare davanti al robot, alla soglia o al corridoio stretto.
- Non aspirare oggetti duri come pietre, sfere d'acciaio e parti di giocattoli, né oggetti appuntiti come rifiuti edili, vetri rotti e chiodi, per evitare di graffiare il pavimento.



Prima della pulizia, utilizzare una barriera fisica sul bordo delle scale e del divano per garantire un funzionamento sicuro e regolare del robot.



Con il sensore visivo AI, il robot può riconoscere ed evitare meglio ostacoli come cavi di alimentazione, scarpe e calze, per ottenere il massimo dal sensore visivo AI, assicurati che tutte le aree da pulire siano ben illuminate.

Prima dell'Uso

1. Collega a Una Presa Elettrica

Inserisci il cavo di alimentazione nella stazione di base e collegalo alla presa.

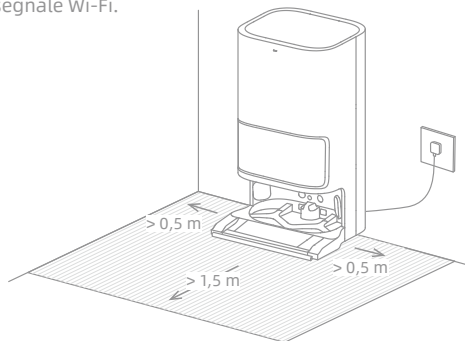
Inserisci saldamente il cavo di alimentazione verso l'alto finché l'indicatore non si accende.



2. Posiziona la Stazione di Base

Rimuovi tutti gli oggetti che sono più vicini di 1,5 m dalla parte anteriore, 1 m dall'alto e 0,5 m da entrambi i lati della stazione di base.

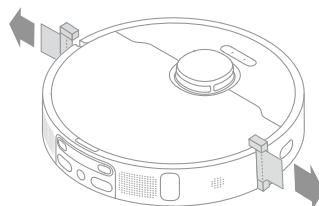
- Posiziona la stazione di base in un luogo il più aperto possibile con un buon segnale Wi-Fi.



Nota:

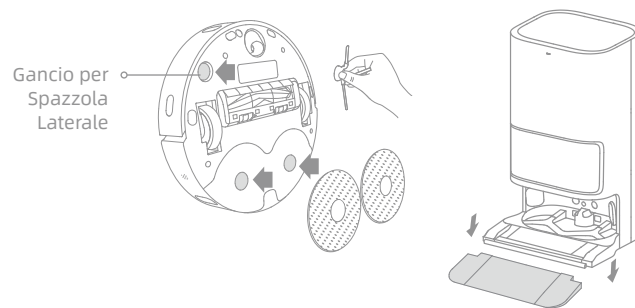
- Assicurati che nessun oggetto possa bloccare l'area di segnalazione.
- Per evitare che le macchie d'acqua inumidiscano pavimenti in legno o tappeti, si consiglia di posizionare la stazione di base su pavimenti in piastrelle o pavimenti in marmo.

3. Rimuovi le strisce protettive



4. Installare gli accessori principali

- Installare il gruppo spazzola laterale e il tampone di lavaggio nella posizione corretta.
- Installare la piastra di estensione della rampa della stazione base fino alla stazione base.

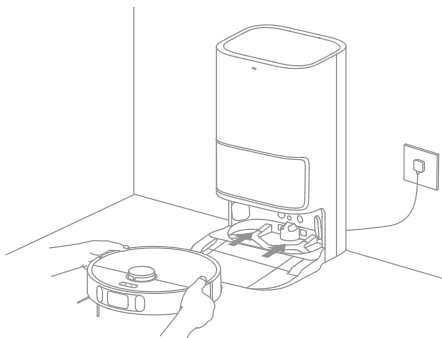


Nota: Installa la spazzola laterale finché non scatta in posizione.

Prima dell'Uso

5. Posiziona il Robot

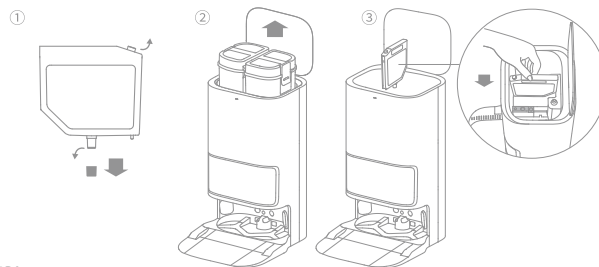
Tenere premuto il pulsante di accensione sul robot per 3 secondi per accenderlo. Posiziona il robot sulla stazione di base con l'assemblaggio del mocio rivolto verso l'asse per lavare. Quindi sentirai una notifica vocale quando il robot si conetterà con successo alla stazione di base e inizierà a ricaricarsi. Dopo che il robot è completamente carico, gli indicatori di stato sul robot e sulla stazione di base rimarranno accesi per 10 minuti e poi si oscureranno.



Nota: Si consiglia di ricaricare completamente il robot prima del primo uso. Quando il robot non può essere acceso dopo che la batteria è esaurita, collega manualmente il robot alla stazione per ricaricarlo.

6. Installa la Bottiglia del Detergente

Rimuovi il tappo della bottiglia del detergente e strappa i sigilli sulla parte superiore e inferiore della bottiglia. Apri il coperchio superiore della stazione di base ed estrai il serbatoio dell'acqua pulita e il serbatoio dell'acqua usata. Installa la bottiglia del detergente lungo la fessura in posizione. Il detergente verrà aggiunto automaticamente durante il funzionamento.

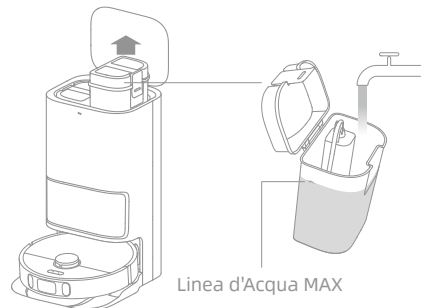


Nota:

- Rimuovi il tappo di gomma morbida nel detergente aggiungendo l'ingresso prima del primo uso.
- Non aggiungere qualsiasi liquido diverso dal detergente ufficialmente approvato per prevenire il malfunzionamento della stazione di base.

7. Aggiungi Acqua al Serbatoio dell'Acqua Pulita

Riempi il serbatoio dell'acqua pulita con acqua pulita fino al segno del livello massimo dell'acqua, quindi installa il serbatoio dell'acqua pulita e il serbatoio dell'acqua usata in posizione.



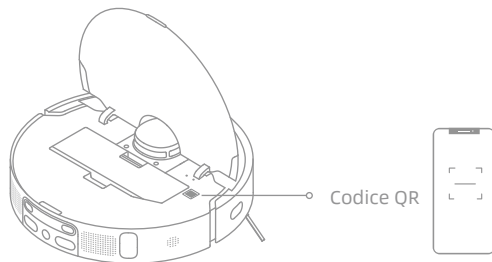
Nota: Non riempire con acqua calda, altrimenti il serbatoio fresco potrebbe deformarsi.

IT Connettiti con l'App Dreamehome

Questo prodotto funziona con l'app Dreamehome, che può essere usata per controllare il dispositivo.

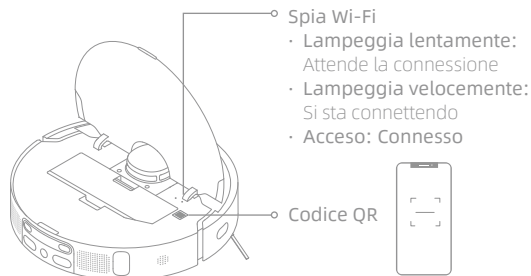
1. Scaricare l'App Dreamehome per la casa

Scansiona il codice QR sul robot o cerca "Dreamehome" nell'app store per scaricare e installare l'app in base alle tue esigenze.



2. Aggiungere il dispositivo

Aprire l'app Dreamehome, toccare "+" nell'angolo in alto a destra e scansionare nuovamente lo stesso codice QR per aggiungere "Dreame L10s Ultra".



Nota:

- La connessione Wi-Fi supporta solo il segnale su banda 2,4 GHz.
- Il software dell'app è in fase di aggiornamento, le operazioni effettive potrebbero essere diverse dalle dichiarazioni in questo manuale. Per favore segui le istruzioni in base alla versione corrente dell'app.

3. Ripristino della connessione Wi-Fi

Tenere premuti contemporaneamente il pulsante di accensione e quello sulla stazione finché non si sente un messaggio vocale che dice "In attesa della configurazione di rete". Quando l'indicatore Wi-Fi lampeggia lentamente, il Wi-Fi è stato ripristinato con successo.

Nota:

- Quando il telefono non si connette con successo al robot, fai il reset del Wi-Fi e aggiungi nuovamente il dispositivo.
- Per scollegare il dispositivo dalla rete Wi-Fi, tenere premuto il pulsante Ripristino sul robot per 3 secondi.

Istruzioni utente

Mappatura Veloce

Dopo aver configurato la rete per la prima volta, segui le istruzioni sull'app per creare rapidamente una mappa e il robot inizierà a mappare senza pulizia. Il processo di mappatura sarà completato quando il robot tornerà alla stazione e la mappa verrà salvata automaticamente.

Accensione/Spegnimento

Tenere premuto il pulsante di accensione per 3 secondi per accendere il robot. Posiziona il robot sulla base e il robot si accende automaticamente e inizia la ricarica. Per spegnere il robot, allontanarlo dalla stazione base e tenere premuto il pulsante di alimentazione per 3 secondi.

Pausa / Sonno

Quando il robot è in funzione, premi un pulsante qualsiasi per metterlo in pausa.

Se il robot si ferma per più di 10 minuti, entra automaticamente in modalità sonno e l'indicatore di alimentazione e l'indicatore di ricarica smettono di illuminarsi. Premi qualsiasi pulsante sul robot o sulla base o tocca l'app per riattivare il robot.

Nota:

- **Il robot si spegnerà automaticamente se lasciato in modalità riposo per più di 12 ore quando non è in ricarica.**
- **Se il robot viene messo in pausa e posizionato sulla stazione di base, il processo di pulizia in corso terminerà.**


Modalità Non Disturbare (DND).

Quando il robot è impostato sulla modalità Non Disturbare (DND), al robot verrà impedito di riprendere la pulizia e l'indicatore di alimentazione si spegne. La modalità DND è disabilitata per impostazione predefinita in fabbrica. Puoi usare l'app per abilitare la modalità DND o modificare il periodo DND. Il periodo DND è 22: 00 - 8: 00 per impostazione predefinita.

Nota:

- I compiti di pulizia programmati verranno eseguiti in tempo durante il periodo DND.
- Il robot riprenderà la pulizia da dove era stata interrotta dopo la scadenza del periodo DND.

Pulizia delle Macchie

Quando il robot è in attesa, premere brevemente il pulsante  per attivare la modalità di pulizia localizzata. In questa modalità, il robot pulisce un'area quadrata di 1,5 x 1,5 metri intorno a sé e torna al punto di partenza una volta completata la pulizia localizzata.

Riavvio del Robot

Se il robot smette di rispondere o non può essere spento, tenere premuto il pulsante di accensione per 10 secondi per spegnerlo forzatamente. Quindi, tenere premuto il pulsante di accensione per 3 secondi per accendere il robot.

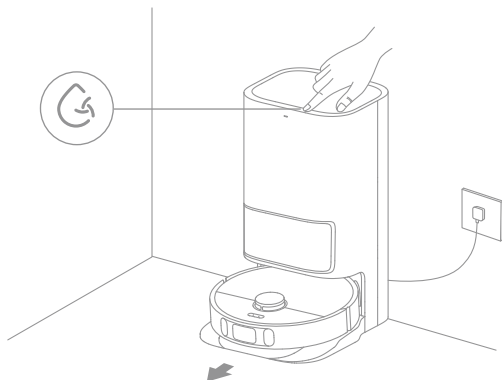
Istruzioni utente

Spazzamento e Lavaggio

Nota: Durante l'uso dell'assemblaggio del mocio per la prima volta, il robot esegue il compito di spazzamento e lavaggio per impostazione predefinita.

1. Inizia lo spazzamento e il lavaggio

Premere il pulsante di pulizia sulla stazione base o il pulsante di accensione sul robot, oppure utilizzare l'app per far partire il robot dalla stazione base. Quindi il robot pianificherà il percorso di pulizia ottimale ed eseguirà il compito di pulizia in base alla mappa creata.

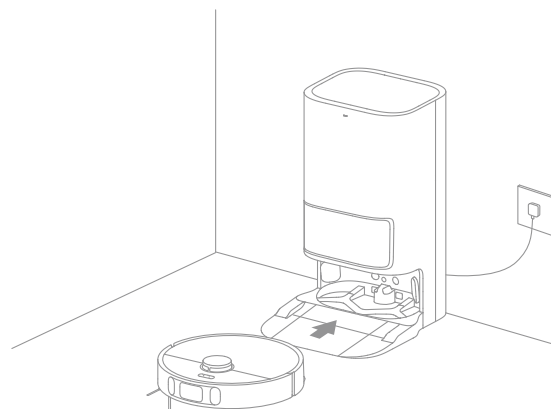


Nota:

- I moci verranno puliti prima che il robot inizi a lavare, per favore attendi con pazienza.
- Non spostare la stazione di base, il serbatoio dell'acqua pulita, il serbatoio dell'acqua usata o l'asse per lavare durante il suo funzionamento.

2. Torna a pulire i moci a metà strada

Durante il lavaggio, il robot tornerà automaticamente alla stazione base per lavare i mop pad in base alla frequenza di pulizia del mop pad specificata nell'app. Quindi la stazione base riempirà automaticamente il serbatoio dell'acqua del robot e il robot riprenderà la pulizia dopo il riempimento dell'acqua.

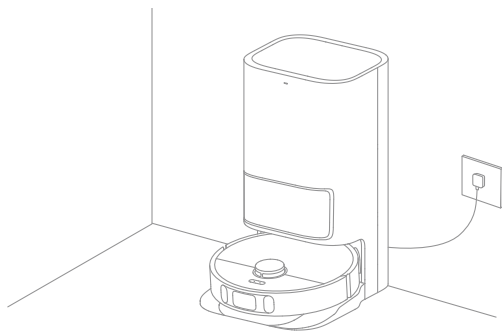


Nota: Se il robot torna alla stazione di base per pulire i moci a metà strada, la stazione di base non svuoterà automaticamente il contenitore della polvere.

Istruzioni utente

3. Pulisci e asciuga i moci dopo lo svuotamento della polvere

Dopo che il robot ha terminato un compito di pulizia ed è tornato alla stazione di base per ricaricarsi, la stazione di base inizierà automaticamente a svuotare il contenitore della polvere, quindi pulirà e asciugherà i moci.



Nota:

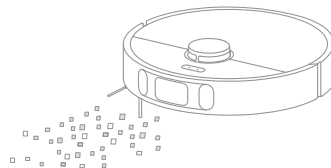
- Quando il robot torna a metà strada verso la stazione di base per pulire i moci, la stazione di base non svuoterà automaticamente il contenitore della polvere.
- Se la funzione di svuotamento automatico è disattivata nell'app, la stazione di base non svuoterà automaticamente il contenitore della polvere.
- La stazione di base svuoterà il contenitore della polvere secondo la frequenza impostata nell'app.

4. Pulisci il serbatoio dell'acqua usata

Dopo che il robot ha completato il compito, per favore pulisci il serbatoio dell'acqua usata per evitare qualsiasi odore.

Spazzamento

Per utilizzare solo la funzione di spazzamento, seleziona "Spazzamento" sull'app o rimuovi l'assemblaggio del mocio dal robot e il robot passerà automaticamente alla modalità di spazzamento.



Nota: Se l'assemblaggio del mocio non viene rimosso dal robot, puoi selezionare la modalità di spazzamento sull'app e il robot sollevierà automaticamente l'assemblaggio del mocio prima di spazzare.

Assicurati che la stazione di base sia collegata all'alimentazione e che il robot sia collegato alla stazione di base. Premere il pulsante di pulizia sulla stazione base o il pulsante di accensione sul robot, oppure utilizzare l'app per far partire il robot dalla stazione base.

Nota: Per garantire che il robot possa tornare facilmente alla stazione di base dopo la pulizia, si consiglia di far partire il robot dalla stazione di base ed evitare di spostare la stazione di base durante la pulizia.

Manutenzione quotidiana

Parti

Per mantenere il robot in buone condizioni, si consiglia di fare riferimento alla tabella seguente per la manutenzione ordinaria.

Parte	Frequenza di Manutenzione	Frequenza di Sostituzione
Serbatoio dell'Acqua Usato	Dopo ogni uso	/
Serbatoio dell'Acqua Pulita	Una volta ogni 2 settimane	
Spazzola principale		Ogni 6 - 12 mesi
Filtro del Contenitore della Polvere		Ogni 3 - 6 mesi
Spazzola laterale		
Asse per Lavare	Una volta ogni mese	/
Area di segnalazione della stazione di base		
Contatti di ricarica della stazione di base		
Sfiato di svuotamento automatico della stazione di base		
Ruota Universale		
Sensore di bordi		
Sensore laser di distanza		
Sensore di laser lineare		

Parte	Frequenza di Manutenzione	Frequenza di Sostituzione
Sensore Visivo AI	Una volta ogni mese	/
Sensore di Tappeto		
Sensori di Dislivello		
Contatti di Ricarica sul Robot		
Paraurti		
Sfiato di svuotamento automatico del robot		
Ingresso di riempimento automatico dell'acqua del robot		
Fondo del Robot	Consigliato per pulire dopo aver rimosso il detergente (bottiglia)	
Ingresso di Aggiunta del Detergente	Pulire secondo necessità	
Contenitore Raccogli-polvere	/	6 - 8 settimane
Sacchetto di Polvere		Ogni 1 - 3 mesi
Mocio		

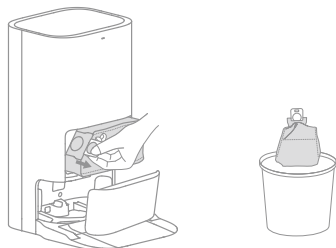
Nota: La frequenza di sostituzione dipenderà dal tuo utilizzo del robot. Se si verifica un'eccezione a causa di circostanze speciali, le parti devono essere sostituite.

Manutenzione quotidiana

Sacchetto di Polvere

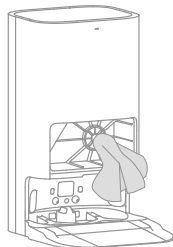
Quando è necessario sostituire il sacchetto di raccolta della polvere, una notifica apparirà nell'app.

1. Getta il sacchetto di raccolta della polvere.

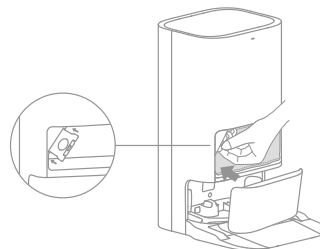


Nota: La trazione verso l'alto sulla maniglia sigillerà il sacchetto per evitare che polvere e detriti cadano accidentalmente.

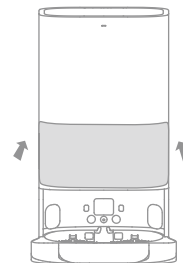
2. Rimuovi la polvere e i detriti dal filtro con un panno asciutto.



3. Installa un nuovo sacchetto di raccolta della polvere.



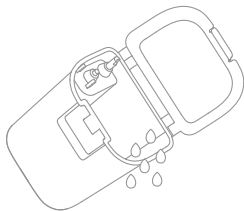
4. Chiudi il coperchio del contenitore per la polvere.



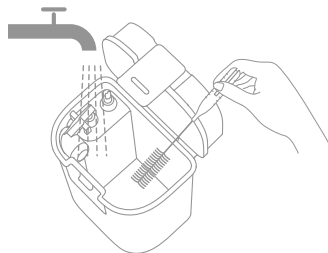
Manutenzione quotidiana

Serbatoio dell'Acqua usata

1. Rimuovi il serbatoio dell'acqua usata, apri il coperchio e versa l'acqua sporca.



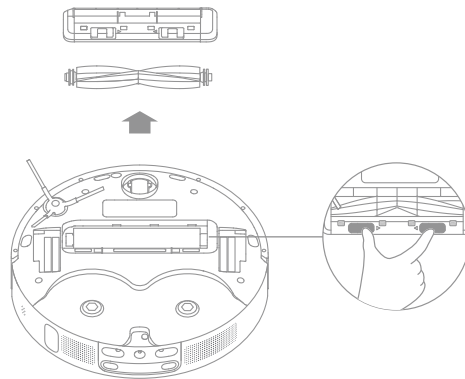
2. Sciacqua il serbatoio dell'acqua usata con acqua pulita e usa la spazzola per la pulizia fornita per pulire la parete interna del serbatoio dell'acqua usata.



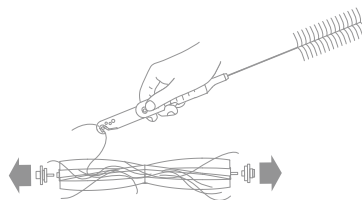
Nota: La sfera galleggiante nel serbatoio dell'acqua usata è una parte mobile. Non applicare troppa forza durante la pulizia per evitare di danneggiarlo.

Spazzola principale

1. Premi i ganci di guardia della spazzola verso l'interno per rimuovere la guardia della spazzola e sollevare la spazzola dal robot.



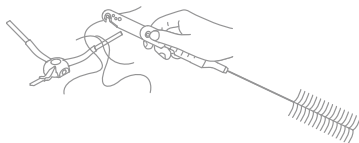
2. Estrai i coperchi della spazzola come mostrato nel diagramma. Usa uno strumento adeguato per rimuovere i capelli aggrovigliati nella spazzola.



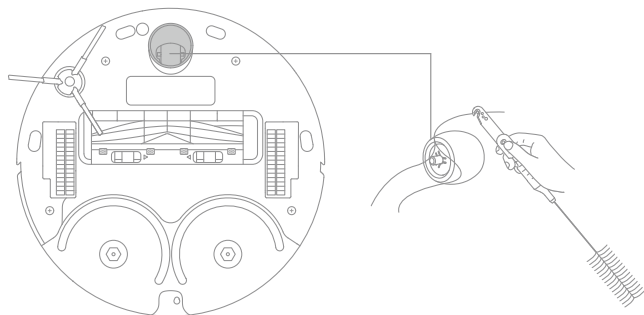
Manutenzione quotidiana

Spazzola laterale

Rimuovi e pulisci la spazzola laterale.



Ruota Universale

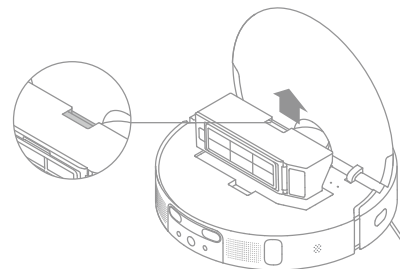


Nota:

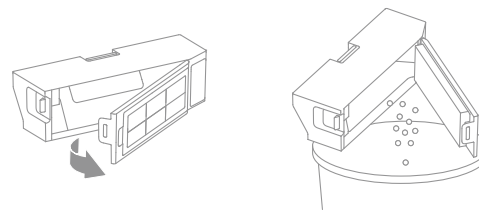
- Usa uno strumento come un piccolo cacciavite per separare l'asse e il pneumatico della ruota universale. Non usare eccessivamente la forza.
- Sciacqua la ruota universale sotto l'acqua corrente e rimettila dopo averla asciugata completamente.

Raccogli-polvere

1. Apri il coperchio del robot e premi il gancio del contenitore della polvere per rimuovere il bidone della polvere.



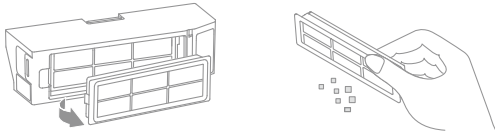
2. Apri il coperchio del contenitore e svuota il bidone come mostrato nel diagramma.



Manutenzione quotidiana

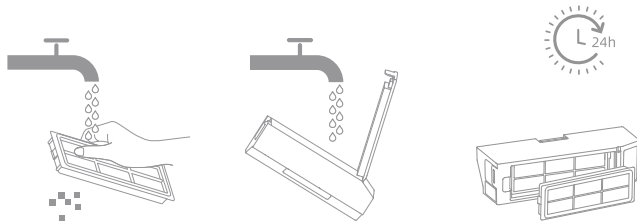
Filtro

1. Rimuovi il filtro e tocca delicatamente il suo cestello.



Nota: Non tentare di pulire il filtro con una spazzola, un dito o oggetti appuntiti per evitare danni.

2. Sciacqua il contenitore della polvere e il filtro con acqua e asciugali completamente prima di reinstallarli.



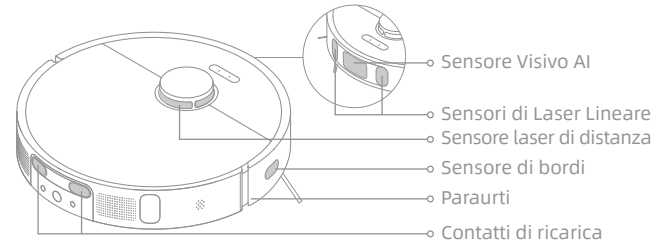
Nota:

- Sciacqua il bidone della polvere e il filtro solo con acqua pulita. Non usare alcun detersivo.
- Usa il bidone della polvere e il filtro solo quando sono completamente asciutti.

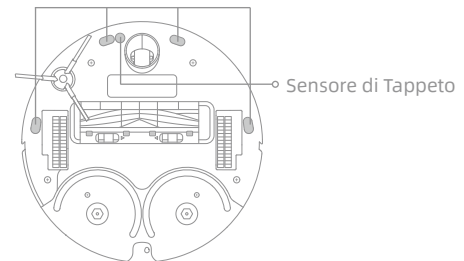
Sensori Robot e Contatti di Ricarica

Strofina i sensori e i contatti di ricarica del robot usando un panno morbido e asciutto:

- I sensori di dislivello e il sensore a ultrasuoni sul fondo del robot
- Contatti di ricarica sul retro del robot
- Il sensore per bordi sul lato del robot
- LDS sulla parte superiore del robot
- Il paraurti, il sensore visivo AI e i sensori di laser lineare sulla parte anteriore del robot



Sensori di Dislivello

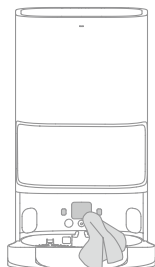


Nota: Il panno umido può danneggiare gli elementi sensibili all'interno del robot e della stazione di base. Per favore usa un panno asciutto per la pulizia.

Manutenzione quotidiana

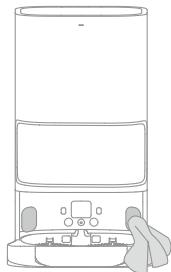
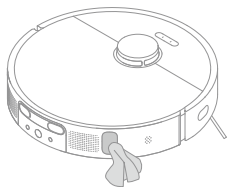
Contatti di ricarica

Pulisci i contatti di ricarica e l'area di segnalazione della stazione di base con un panno morbido e asciutto



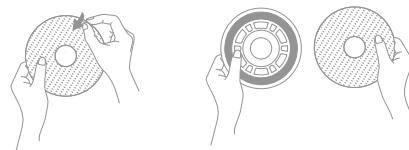
Sfiati di Svuotamento Automatico

Pulisci gli sfiati di svuotamento automatico del robot e della stazione di base con un panno morbido e asciutto.



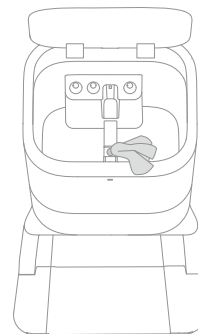
Mocio

Rimuovi il mocio dal supporto per mocio per sostituirlo.



Ingresso di Aggiunta del Detergente

Se l'ingresso di aggiunta del detergente è sporco, strofinalo con un panno morbido e asciutto.



Batteria

Il robot contiene una batteria agli ioni di litio ad alte prestazioni. Assicuratevi che la batteria rimanga ben carica per l'uso quotidiano per mantenere prestazioni ottimali della batteria. Se il robot non viene usato per un lungo periodo di tempo, spegnilo e mettilo via. Per evitare danni causati da una scarica eccessiva, ricarica il robot almeno una volta ogni tre mesi.

Problemi comuni

Problema	Soluzione
Il robot non si accende.	La batteria è scarica. Ricarica il robot sulla base e riprova. La temperatura della batteria è troppo bassa o troppo alta. Si consiglia di far funzionare l'apparecchio a una temperatura compresa tra 32 °F (0 °C) e 104 °F (40 °C).
Il robot non si ricarica.	La stazione di base non è collegata all'alimentazione, per favore assicurati che entrambe le estremità del cavo di alimentazione siano collegate correttamente. Il contatto tra i contatti di ricarica sulla stazione di base e il robot è scadente, per favore pulisci i contatti di ricarica. Controlla se c'è qualsiasi oggetto estraneo al connettore del robot e rimuovi l'oggetto estraneo se presente.
Il robot non riesce a connettersi al Wi-Fi.	La password della rete Wi-Fi non è corretta. Assicurati che la password usata per connetterti alla tua rete Wi-Fi sia corretta. Il robot non supporta una connessione Wi-Fi a 5 GHz. Assicurati che il robot sia connesso a una connessione Wi-Fi a 2,4 GHz. Il segnale Wi-Fi è debole. Assicurati che il robot si trovi in un'area con una buona copertura Wi-Fi. Il robot potrebbe non essere pronto per essere configurato. Esci e rientra nell'app, quindi riprova come indicato.
Il robot non riesce a trovare e tornare alla stazione di base.	La stazione di base è scollegata dall'alimentazione o spostata quando il robot non è su di essa. Ci sono troppi ostacoli intorno alla stazione di base. Posiziona la stazione di base in un'area più aperta. Lo spostamento del robot può causare il suo riposizionamento e ricreare una mappa se il riposizionamento fallisce. Se il robot è troppo lontano dalla stazione di base, potrebbe non essere in grado di tornare automaticamente da solo, nel qual caso dovrai posizionare manualmente il robot sulla stazione di base. Pulisci l'area di segnalazione sulla stazione di base per rimuovere polvere o detriti.
Il robot si blocca davanti alla stazione di base e non può tornare su di essa.	Elimina qualsiasi ostruzione entro 0,5 m sui lati sinistro e destro o entro 1,5 m davanti alla stazione di base per evitare che il robot venga bloccato. Il percorso per tornare alla ricarica è bloccato, ad es. la porta è chiusa. Il robot potrebbe scivolare se il pavimento davanti alla stazione di base è eccessivamente bagnato. In tal caso, pulisci l'acqua in eccesso prima di riprovare. Si consiglia di spostare la stazione di base in un luogo diverso e riprova.

Problemi comuni

Problema	Soluzione
Il robot non si spegne.	Il robot non può essere spento quando è in carica. Si consiglia di allontanare il robot dalla stazione base e di tenere premuto il pulsante di accensione per 3 secondi per spegnerlo. Se non è possibile spegnere il robot eseguendo il punto 1, tenere premuto il pulsante di accensione per 10 secondi per spegnere forzatamente il robot. Se il problema persiste, contattare il servizio post-vendita.
La velocità di ricarica è lenta.	Ci vogliono circa 6 ore per ricaricare completamente il robot quando la batteria è scarica. Se usi il robot a temperature al di fuori dell'intervallo specificato, la velocità di ricarica rallenterà automaticamente per prolungare la durata della batteria. I contatti di ricarica sia sul robot che sulla base potrebbero essere sporchi, per favore puliscili con un panno asciutto.
Il rumore aumenta mentre il robot è in funzione.	Controlla se il filtro del contenitore della polvere è intasato. In tal caso, puliscilo o sostituisilo Un oggetto duro potrebbe rimanere intrappolato nella spazzola in gomma multisuperficie o nel contenitore della polvere. Controlla e rimuovi qualsiasi oggetto duro. La spazzola in gomma multisuperficie o la spazzola laterale potrebbero aggrovigliarsi. Controlla e rimuovi eventuali oggetti estranei. Commuta la modalità di aspirazione su Standard o Silenzioso.
Il robot si muove senza seguire il percorso impostato.	Oggetti come cavi di alimentazione e pantofole devono essere organizzati prima di usare il robot. Funziona su superfici bagnate e scivolose provoca lo slittamento della ruota principale. Si consiglia di asciugare i luoghi bagnati prima di usare il robot. Pulisci i sensori di laser lineare e il sensore visivo AI sul robot con un panno morbido e pulito per mantenerli puliti e non ostruiti.
Al robot mancano le stanze da pulire.	Assicurati che le porte delle stanze da pulire siano aperte. Controlla se c'è una soglia superiore a 2 cm alla porta della stanza. Il robot non può superare soglie o gradini alti. Il luogo davanti alla stanza da pulire è bagnato e scivoloso, causando lo scivolamento del robot e il suo funzionamento anomalo. Si consiglia di asciugare il pavimento prima di usare il robot.

Problemi comuni

Problema	Soluzione
Il robot non riprende la pulizia dopo la ricarica.	Assicurati che il robot non sia impostato sulla modalità Non Disturbare (DND), che gli impedirà di riprendere la pulizia. Il robot non riprenderà la pulizia dopo che avrai riportato manualmente il robot alla stazione di base per la ricarica, che include il posizionamento manuale del robot sulla stazione di base o l'invio del robot alla ricarica tramite l'app o il robot stesso.
Il robot non risponde durante la pressione dei pulsanti sulla stazione di base.	Il robot potrebbe essere fuori dalla portata wireless della stazione di base. Riporta manualmente il robot alla stazione di base o usa l'app per restituirlo.
La stazione non può svuotare automaticamente il contenitore della polvere.	Controlla se il sacchetto di raccolta della polvere nell'armadio per la polvere è pieno. Se il sacchetto di raccolta della polvere non è pieno, controlla se ci sono eventuali ostruzioni negli sfiati di svuotamento automatico del robot, della stazione di base o del contenitore della polvere. Se presente, pulisci in tempo la parte bloccata.
Il livello dell'acqua nell'asse per lavare è anomalo.	Rimuovi l'asse per lavare e controlla se lo scarico delle acque reflue è ostruito e puliscilo. Premi delicatamente sul serbatoio dell'acqua usata per assicurarti che sia installato correttamente. Controlla se la guarnizione del serbatoio dell'acqua usata è allentata o non è installata correttamente e, in tal caso, ripristinala manualmente. Controlla il detergente. Non aggiungere liquidi diversi dal detergente ufficialmente approvato. Se il problema persiste, per favore contatta il team di servizio post-vendita.

Per ulteriori servizi, contattateci all'indirizzo <https://global.dreametech.com>

Specifiche tecniche

Robot

Modello	RLS6LADC
Tempo di ricarica	Circa 6 ore
Tensione nominale	14,4 V ---
Potenza nominale	75 W
Frequenza d'esercizio	2400-2483,5 MHz
Potenza in uscita massima	<20 dBm

Stazione base/Stazione di ricarica

Consumo energetico in modalità off: $\leq 0,3$ W

Consumo di energia in modalità standby: $\leq 0,5$ W (entro 15 minuti dopo che il robot lascia la stazione base/di ricarica)

Robot e Stazione base/Stazione di ricarica

L'apparecchiatura non dispone di una modalità di standby o di altri stati equivalenti in termini di requisiti di standby, funzione di gestione dell'alimentazione o capacità di disattivare le connessioni di rete wireless per esigenze di manutenzione della batteria. Il consumo di energia dell'apparecchiatura è probabilmente superiore a quello di altri modelli di apparecchiature che soddisfano questi requisiti funzionali.

Informazioni RAEE



Tutti i prodotti contrassegnati da questo simbolo sono rifiuti di apparecchiature elettriche ed elettroniche (RAEE in base alla direttiva 2012/19/UE) che non devono essere smaltiti assieme a rifiuti domestici non differenziati. Al contrario, è necessario proteggere l'ambiente e la salute umana consegnando i rifiuti a un punto di raccolta autorizzato al riciclaggio di rifiuti di apparecchiature elettriche ed elettroniche, predisposto dalla pubblica amministrazione o dalle autorità locali. Lo smaltimento e il riciclaggio corretti aiutano a prevenire conseguenze potenzialmente negative all'ambiente e alla salute umana. Contattare l'installatore o le autorità locali per ulteriori informazioni sulla sede e per i termini e le condizioni di tali punti di raccolta.

Stazione di Base

Modello	RCS9
Ingresso nominale	220-240 V \sim 50-60 Hz
Uscita nominale	20 V --- 2 A
Potenza (durante lo svuotamento della polvere)	1000 W
Potenza (durante la pulizia)	55 W
Potenza (asciugatura + ricarica)	78 W

In condizioni d'uso normali, questa apparecchiatura deve essere tenuta a una distanza minima di 20 cm tra l'antenna e il corpo dell'utente.

Scatola	Manuale	Manuale	Pellicola	Pellicola	Borsa	Maniglia	Pellicola
PAP 20	PAP 21	PAP 22	PVC 3	PET 1	CPE 7	PE 4/PP 5	PP 5
Carta			Plastica				
RACCOLTA DIFFERENZIATA							
Verifica le disposizioni del tuo Comune. Separa le componenti e conferiscile in modo corretto.							