



BT8330

SYSTEM **X**

UNIVERSAL MENU BOARD MOUNTING SYSTEM INSTALLATION GUIDE & PARTS LIST

This Pack Contains 1 Wall Mounting kit

PLEASE KEEP THIS FOR FUTURE REFERENCE

FEATURES



- Universal multi-screen wall mount suitable for all screens
- Max weight per screen: 50kg
- Suitable for landscape or portrait mounting
- Compatible with B-Tech collars for pole mounting if required
- Sections can be joined together to increase menu board width
- Safety screws help prevent unauthorised removal of screens
- All mounting hardware included

This assembly manual covers different installations. Please note that some parts or procedures shown may not be required for installation.



PER SCREEN

CONTENTS

Installation Safety Notes.....	2
Parts List.....	4
Installation Instructions.....	6
Typical Installations.....	14
Pole Mounting Installations.....	15
Product Dimensions.....	16
B-Tech Contact Details.....	20

INSTALLATION TOOLS REQUIRED

Crosshead screwdriver



Drill



Drill bit



Pencil



Level



Stud finder (optional)



B-TECH AUDIO VIDEO MOUNTS

www.btechavmounts.com

INSTALLATION SAFETY INSTRUCTIONS



CAUTION: This wall mount is intended for use only with the maximum weights indicated. Use with flat screens heavier than the maximum indicated may result in instability causing possible injury.

Do not attempt to install this product until all instructions and warnings have been read and properly understood. Please keep these instructions for future reference.

Please check carefully to make sure there are no missing or defective parts - defective parts must never be used. B-Tech International Limited, its distributors and dealers are not liable or responsible for damage or injury caused by improper installation, improper use or failure to observe these safety instructions. In such cases, all guarantees will expire.

General

B-Tech International Ltd recommends that a professional AV installer or other suitably qualified person install this product. Great care must always be taken during installation as most AV equipment is of a fragile nature, possibly heavy and easily damaged if dropped.

If you do not fully understand the instructions or are not sure how to install this product safely, then please consult a professional for advice and/or to install this product for you. Failure to mount this product correctly may cause serious injury or death both during installation and at any time thereafter.

Do not mount any AV equipment that exceeds the specific weight limit of the product you are installing.

This weight limit will be clearly stated on each product and its packaging and will vary from product to product.

Product location

Please pay careful attention to where this product is located. Check load capacity of wall prior to installation as some walls are not suitable for installation. Designed for indoor use, this mount is suitable for public or home installation. If located in a public or frequently populated area ensure that the product is out of the immediate reach of people. If any AV equipment is to be suspended over the likely path or location of people then great care should be taken to secure all parts of the installation from falling. If you install this product on drywall it must be securely fixed to a wooden stud, concrete block or other permanent structure behind the drywall board. Installing on drywall boards alone will not support the weight of most AV equipment.

When drilling holes in walls it is essential to avoid contact with electrical cables and water or gas pipes contained within. Use of a good quality live wire detector and hidden object locator is therefore recommended. Only drill into structures when you are sure it is safe to do so.

Fixing hardware

It is highly recommended that all wall fixing screws be used where supplied and that the purpose of all other fixing hardware is fully understood. In some cases more AV equipment fixing hardware will be supplied to accommodate different models of equipment and set up configurations.

The installer must be satisfied that any supplied fixing hardware is suitable for each specific installation. If any fixing screws or included hardware are deemed not sufficient for a safe installation then please consult a professional or your local hardware store.

Hazard limitation

When routing cables take advantage of any built in cable management features that the product might provide and ensure that all cables are tidy and secure. Check to see that any moving aspect of the product can do so unhindered by any cabling.

Some products have moving parts and the potential to cause injury through the crushing or trapping of fingers or other body parts.

Particular attention to the nature of moving parts is required especially when assembling installing and adjusting during set up.

Immediately after installations double-check that the work done is safe and secure. Double-check all necessary fixings are present and are of ample tightness.

It is recommended that periodic inspections of the product and its fixing points are made as frequently as possible to ensure that safety is maintained. If in doubt consult a professional AV installer or other suitably qualified person.

CS

Společnost B-Tech International Ltd. doporučuje provést instalaci tohoto produktu prostřednictvím odborného instalátora AV či jinak způsobilé osoby. Společnost B-Tech International Ltd, její distributoři a prodejci nenesou odpovědnost za škody nebo zranění způsobená nevhodnou instalací. Tento výrobek je nutno umístit do vhodné konstrukce a používat jen po uvedené maximální výšce.

DE

B-Tech International Ltd. empfiehlt, dass dieses Produkt durch einen qualifizierten AV-Techniker oder eine andere Person mit geeigneter Qualifikation installiert wird. B-Tech International Ltd, ihre Distributoren und Händler können nicht für durch fehlerhafte Montage verursachte Beschädigung oder Verletzung haftbar bzw. verantwortlich gemacht werden. Dieses Produkt muss auf eine geeignetem Untergrund montiert werden und darf nur bis zum angegebenen Höchstgewicht verwendet werden.

ES

B-Tech International Ltd. recomienda que un instalador de audio y vídeo profesional u otra persona debidamente cualificada instalen este producto. B-Tech International Ltd, sus distribuidores y concesionarios no se hacen cargo ni se responsabilizan de ningún daño o lesión provocados por una instalación inapropiada. Este producto se debe montar en una estructura adecuada y se debe utilizar soportando solamente hasta el peso máximo indicado.

FR

B-Tech International Ltd. recommande de confier l'installation de ce produit à un installateur AV professionnel ou à une autre personne dûment qualifiée. B-Tech International Ltd, ses distributeurs et ses revendeurs ne sauraient être tenus responsables de tout dégât ou de toute blessure résultant d'une installation incorrecte. Ce produit doit être monté sur un support approprié et utilisé dans la limite du poids maximum indiqué.

IT

B-Tech International Ltd. consiglia di affidare l'installazione di questo prodotto a un installatore specializzato o ad altra persona adeguatamente qualificata. B-Tech International Ltd, i suoi distributori e rivenditori non accettano alcuna responsabilità nei riguardi di eventuali danni o infortuni causati da un'errata installazione. Questo prodotto deve essere fissato a una struttura idonea e utilizzato unicamente sino al peso massimo indicato.

NL

B-Tech International Ltd. adviseert om dit product te laten installeren door een professionele AV-installateur of andere hiervoor gekwalificeerde persoon. B-Tech International Ltd, haar distributeurs en dealers zijn niet aansprakelijk of verantwoordelijk voor schade of letsel die is veroorzaakt door onoordeelkundige installatie. Dit product moet worden gemonteerd aan een geschikte constructie, waarbij het aangegeven maximum gewicht niet mag worden overschreden.

PL

Firma B-Tech International Ltd. zaleca, aby ten produkt był instalowany przez profesjonalnych instalatorów AV lub inny odpowiednio przeszkolony personel. Firma B-Tech International Ltd, jej dystrybutorzy i dealerzy nie ponoszą odpowiedzialności za uszkodzenia lub obrażenia ciała powstałe w wyniku nieprawidłowej instalacji. Niniejszy produkt musi być zamontowany na odpowiedniej powierzchni, a podczas użytkowania nie wolno przekraczać podanego maksymalnego obciążenia.

PT

A B-Tech International Ltd. recomenda que a instalação deste produto seja efectuada por um instalador de AV profissional ou outra pessoa devidamente habilitada. A B-Tech International Ltd. e os seus distribuidores e concessionários não são responsáveis por danos ou lesões causados por uma instalação incorrecta. Este produto tem de ser montado numa estrutura adequada e utilizado somente até ao peso máximo indicado.

RU

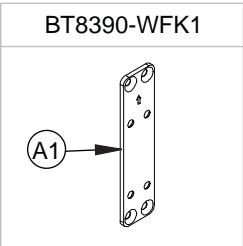
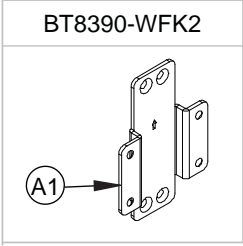
Компания B-Tech International Ltd. рекомендует, чтобы установка данного изделия производилась инженером по установке аудио-видеотехники или другим специалистом с соответствующей квалификацией. Компания B-Tech International Ltd., ее дистрибьюторы и дилеры не несут ответственности за повреждения или травмы, полученные в результате неправильной установки. Данное изделие должно

توصي بي-تيك للتجارة الدولية المحدودة بأن شخص محترف في تركيب ال AV او شخص مؤهل تأهيلا مناسباً لتركيب هذا المنتج. بي-تيك للتجارة الدولية، موزعيها والتجار ليست عرضة أو مسؤولة عن الأضرار أو الإصابات الناجمة عن تركيب غير سليم، والاستخدام غير السليم أو عدم مراعاة هذه التعليمات للسلامة. يجب أن يتم تركيب هذا المنتج في بنية مناسبة ويجب استخدام فقط لدعم الحد الأقصى للوزن المشار إليه.

BT8330 PARTS LIST

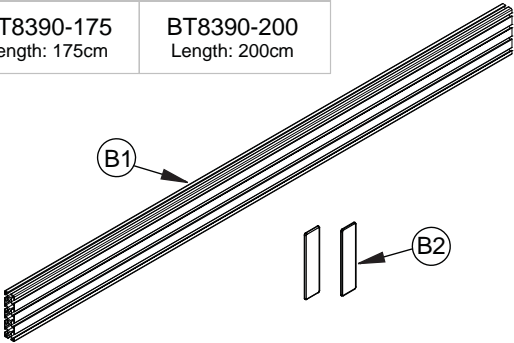
Due to the multiple installations available the quantity for each option below is dependent on the mount ordered.

(A) WALL FIXING KIT

BT8390-WFK1	or	BT8390-WFK2
		

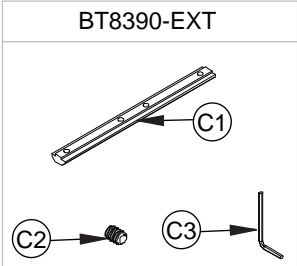
(B) MOUNTING RAIL

BT8390-070 Length: 70cm	BT8390-150 Length: 150cm
BT8390-175 Length: 175cm	BT8390-200 Length: 200cm

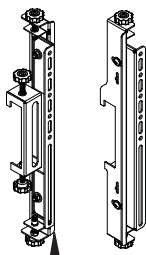
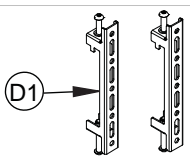
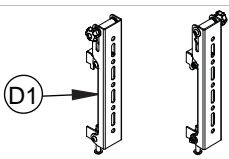
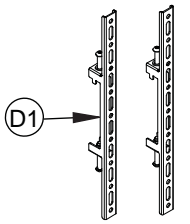
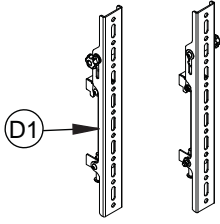


(C) OPTIONAL MOUNTING RAIL EXTENSION KIT

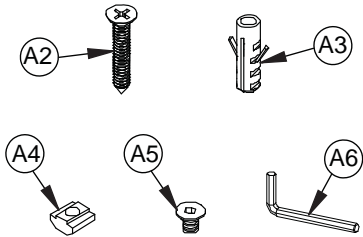
BT8390-EXT



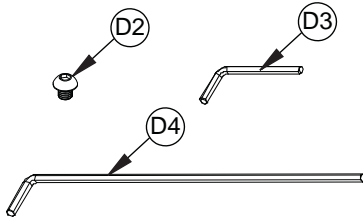
(D) INTERFACE ARMS

BT8390-VESA200F	BT8390-VESA200T	BT8390-VESA400MAF  Use only with the BT8390-WFK2
		
BT8390-VESA400F	BT8390-VESA400T	
		

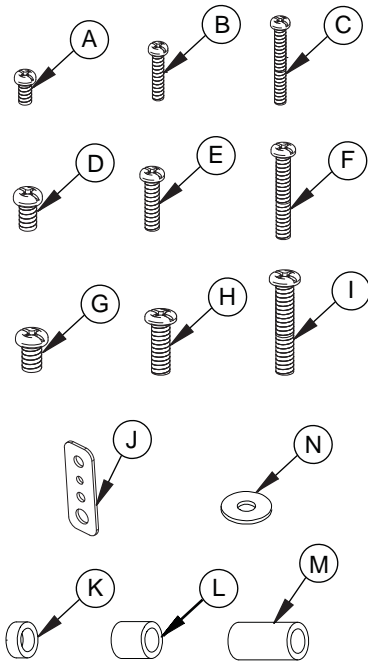
Wall Fixing Kit



Interface Arm Kit



Screen Interface Kit



PLEASE KEEP THIS FOR FUTURE REFERENCE

WALL FIXING KIT

REF	PART NAME	QTY PER PACK
A1	WALL FIXING PLATE	1
A2	ST8 x 45mm CSK WOOD SCREW	4
A3	No.10 WALL PLUG	4
A4	M8 SLIDING NUT	4
A5	M8 x 12mm CSK SCREW	4
A6	5AF HEX KEY	1

MOUNTING RAIL

REF	PART NAME	QTY PER PACK
B1	MOUNTING RAIL	1
B2	END CAP	2

EXTENSION KIT

REF	PART NAME	QTY PER PACK
C1	JOINING BAR	6
C2	M6 x 8mm GRUB SCREW	24
C3	3AF HEX KEY	1

INTERFACE KIT

REF	PART NAME	QTY PER PACK
D1	INTERFACE ARM	2
D2	M6 x 6mm HEX SCREW**	4
D3	4AF HEX KEY**	1
D4	5AF LONG HEX KEY*	1

REF	SCREEN FIXING KIT	QTY PER PACK
A	M4 x 12mm SCREW*	4
B	M4 x 25mm SCREW*	4
C	M4 x 40mm SCREW*	4
D	M6 x 16mm SCREW	4
E	M6 x 25mm SCREW	4
F	M6 x 40mm SCREW	4
G	M8 x 16mm SCREW	4
H	M8 x 25mm SCREW	4
I	M8 x 40mm SCREW	4
J	MULTIWASHER*	4
K	5mm SPACER	4
L	13mm SPACER	4
M	24mm SPACER	4
N	M6 WASHER***	4

* Not included with the BT8390-VESA400MAF

** Not included with the BT8390-VESA400MAF, BT8390-VESA200F or BT8390-VESA400F

*** Only supplied with the BT8390-VESA400MAF

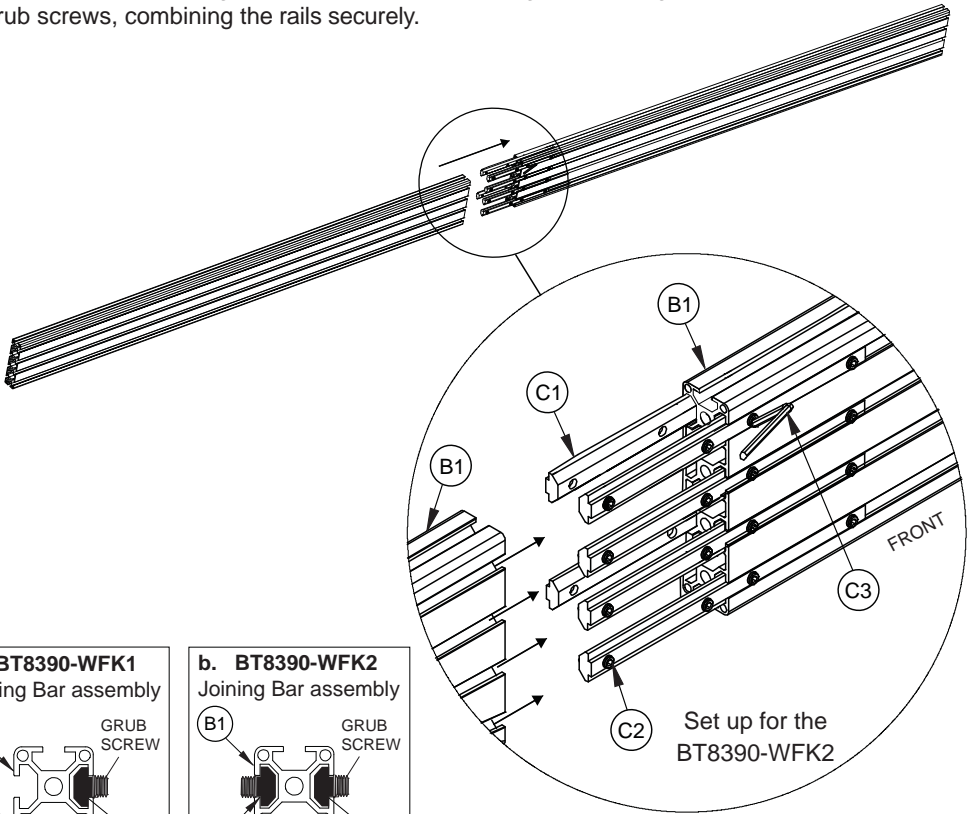
Please refer to individual parts list for more information

EXTENDING THE MOUNTING RAIL

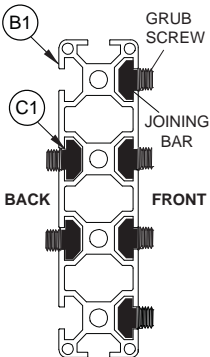
To extend the length of the Menu Board, use a BT8390-EXT to combine mounting rails

Optional: Combining Mounting Rails using the BT8390-EXT

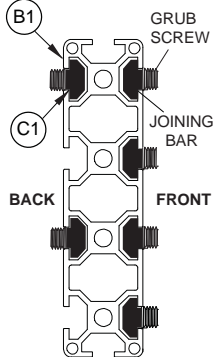
- i. On the intended front facing side of the mounting rail (part B1) insert 4 x joining bars (part C1) half-way into each slot.
- ii a. *Using the BT8390-WFK1.* On the back side of the rail, insert 1 x joining bar in the second slot and 1 x joining bar in the third slot on the mounting rail.
- ii b. *Using the BT8390-WFK2.* On the back side of the rail insert 1 x joining bar in the top slot and 1 x joining bar in the third slot on the mounting rail.
- iii. Loosely fasten the 2 grub screws (part C2) on each joining bar fixing it to the mounting rail.
- iv. Slide another mounting rail (part B1) onto the joining bars and tighten all the grub screws, combining the rails securely.



a. BT8390-WFK1
Joining Bar assembly



b. BT8390-WFK2
Joining Bar assembly



Set up for the
BT8390-WFK2

INSTALLATION INSTRUCTIONS

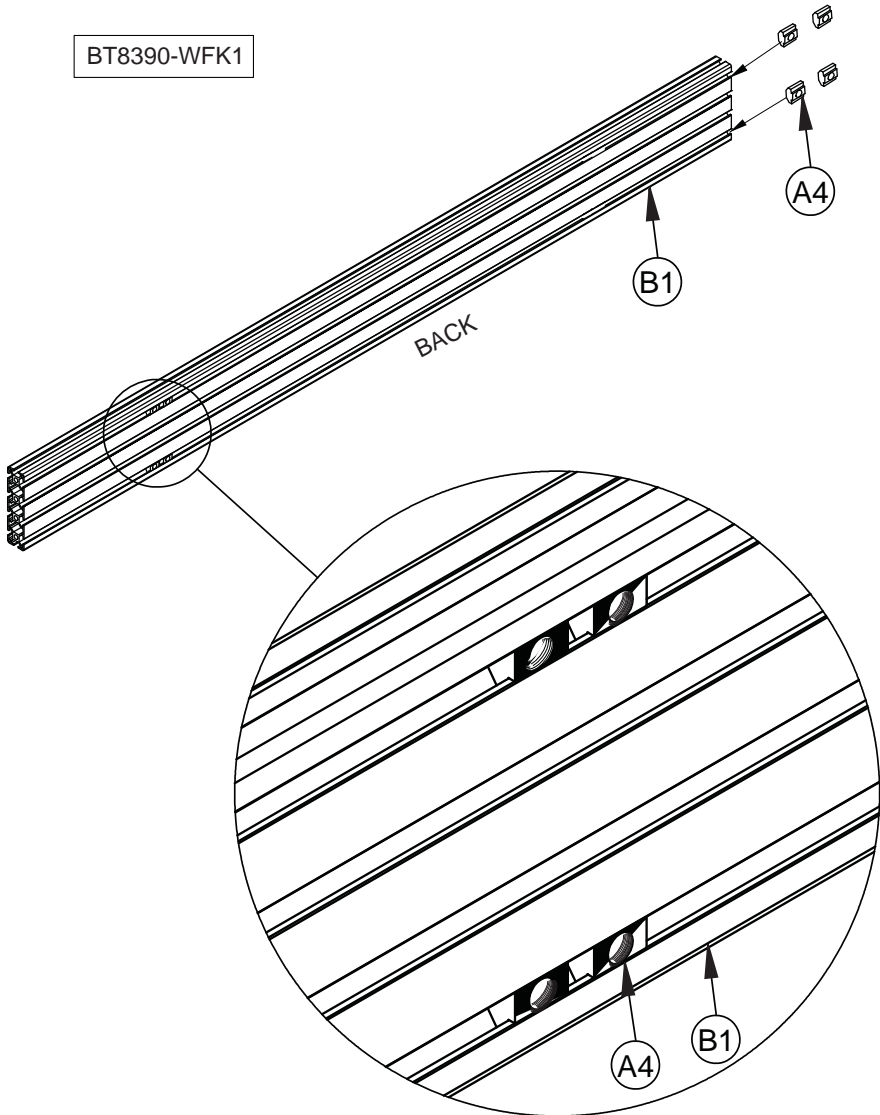
1 A

Insert M8 Sliding Nuts

a i. For each BT8390-WFK1 wall plate used, insert 4 x M8 sliding nuts (part A4) into the mounting rail (part B1). Two in the top slot / two in the bottom slot.

For the BT8390-WFK2 assembly see page 9.

BT8390-WFK1

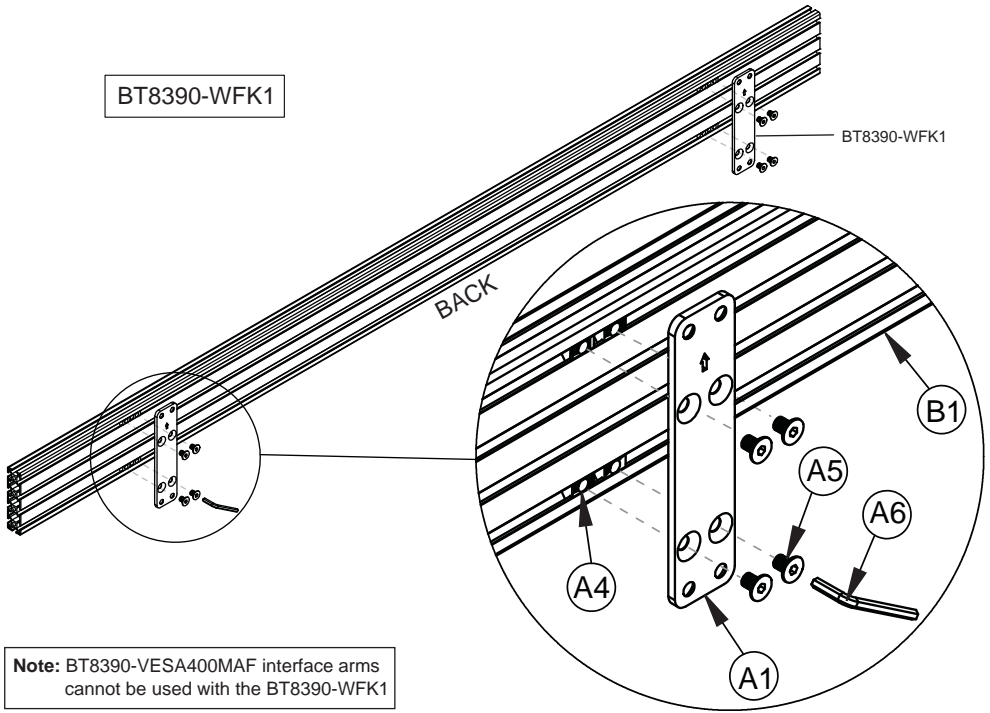


1 A

CONT...

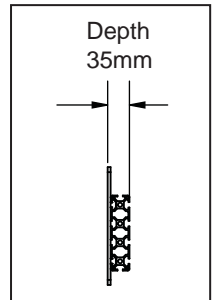
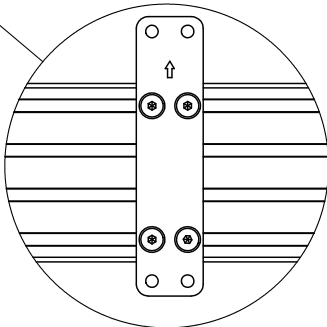
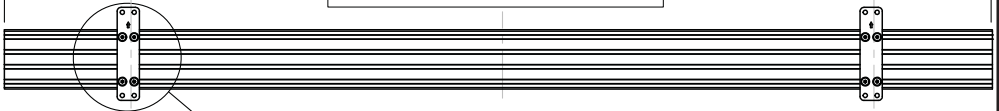
Attach Wall Fixing Kit to Mounting Rail

a ii. Attach the BT8390-WFK1 (part A1) to the mounting rail (part B1) by fastening M8 x 12mm screws (part A5) into the inserted M8 sliding nuts (part A4).



Required quantity of BT8390-WFK1 or BT8390-WFK2

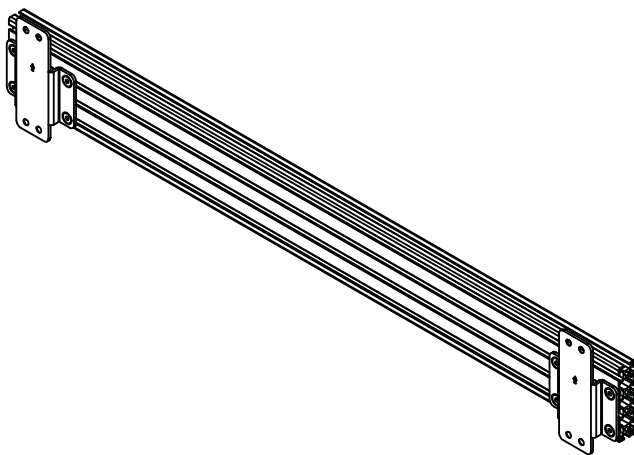
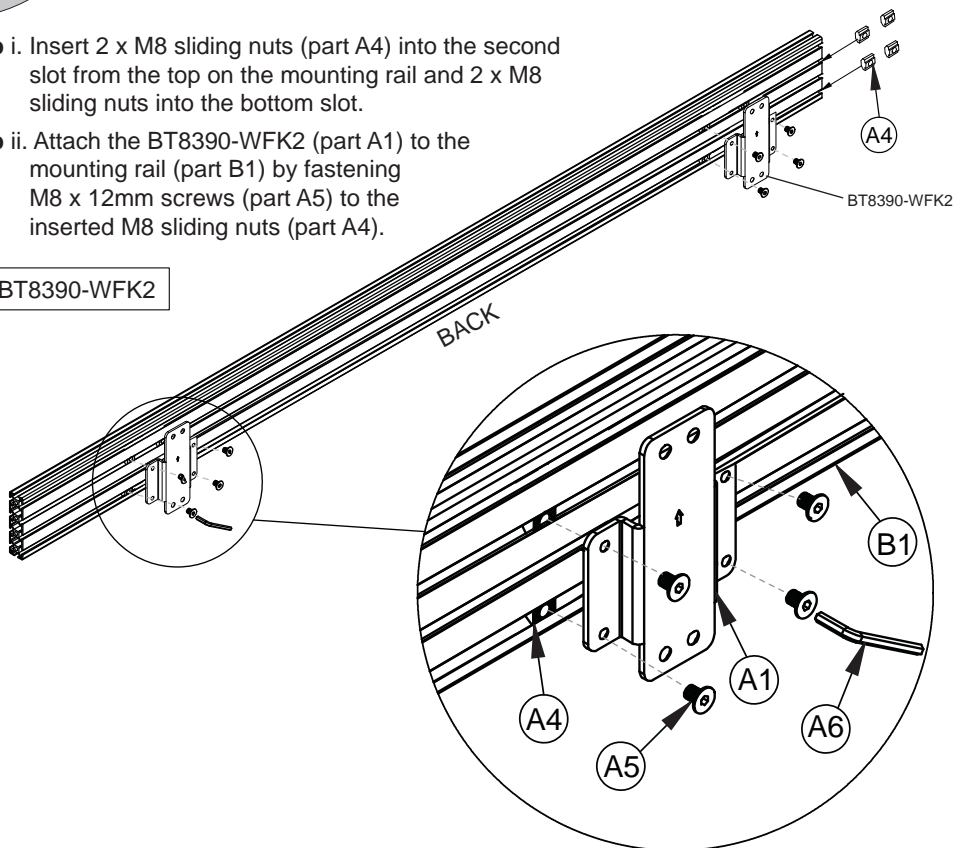
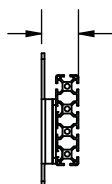
2pcs for 0 - 2000mm
3pcs for 2100mm - 3500mm
4pcs for 3600mm - 6000mm
5pcs for 6100mm - 8000mm
6pcs for 8100mm - 10000mm



1 B**Attach Wall Fixing Kit to Mounting Rail**

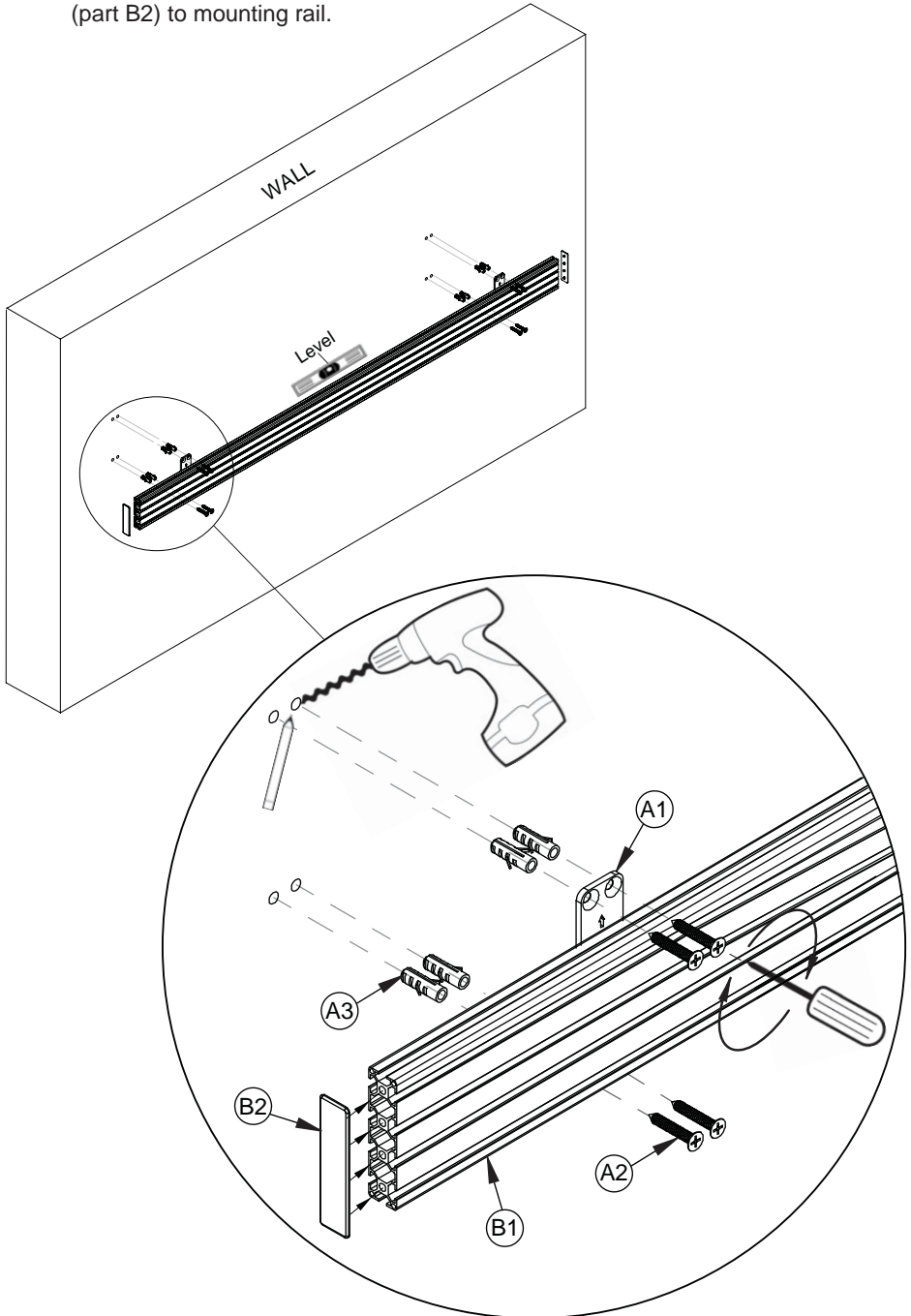
- b i.** Insert 2 x M8 sliding nuts (part A4) into the second slot from the top on the mounting rail and 2 x M8 sliding nuts into the bottom slot.
- b ii.** Attach the BT8390-WFK2 (part A1) to the mounting rail (part B1) by fastening M8 x 12mm screws (part A5) to the inserted M8 sliding nuts (part A4).

BT8390-WFK2

Depth
49mm

Fix Mounting Rail to the Wall

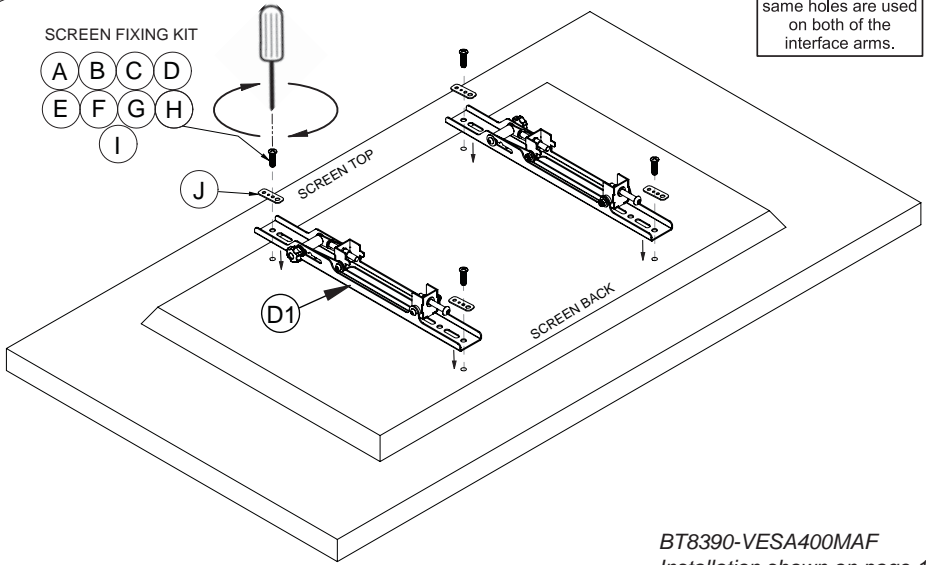
Fix the mounting rail (part B1) to the wall using the the wall fixings included with the BT8390-WFK1 / BT8390-WFK2 (part A1). Once mounted, attach end caps (part B2) to mounting rail.



3A

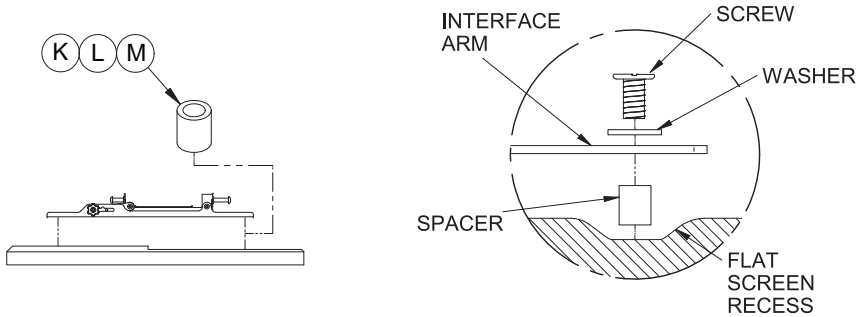
Attach Interface Arms to Screen

NOTE: Ensure the same holes are used on both of the interface arms.



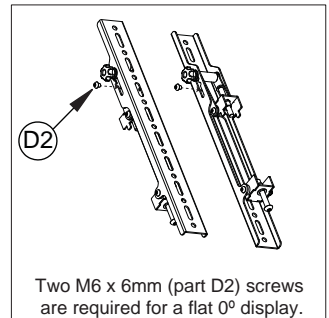
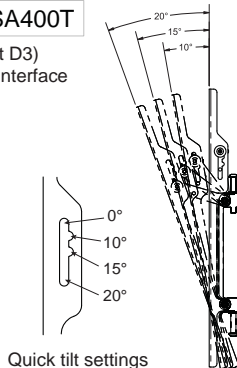
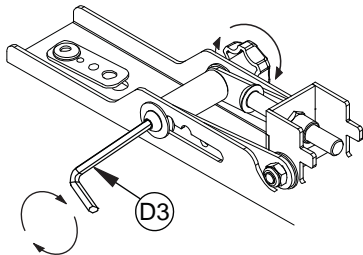
*BT8390-VESA400MAF
Installation shown on page 13*

Use spacers for screens with recessed fixings



BT8390-VESA200T / BT8390-VESA400T

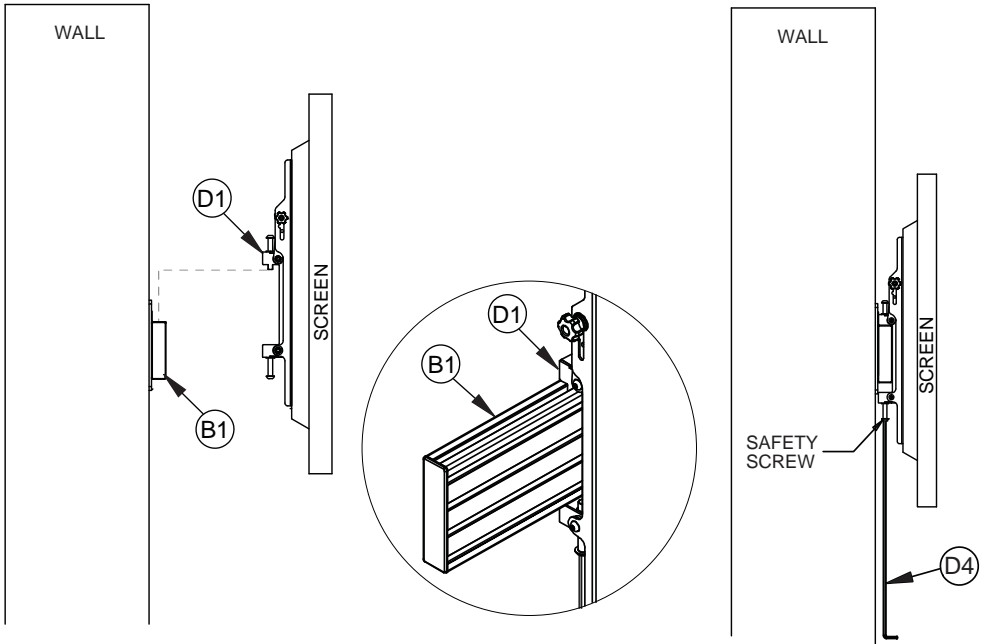
For tilt adjustment, use the 4AF hex key (part D3) to loosen the screw and thumbwheel on the interface arms. Re-tighten screw to fix tilt angle.



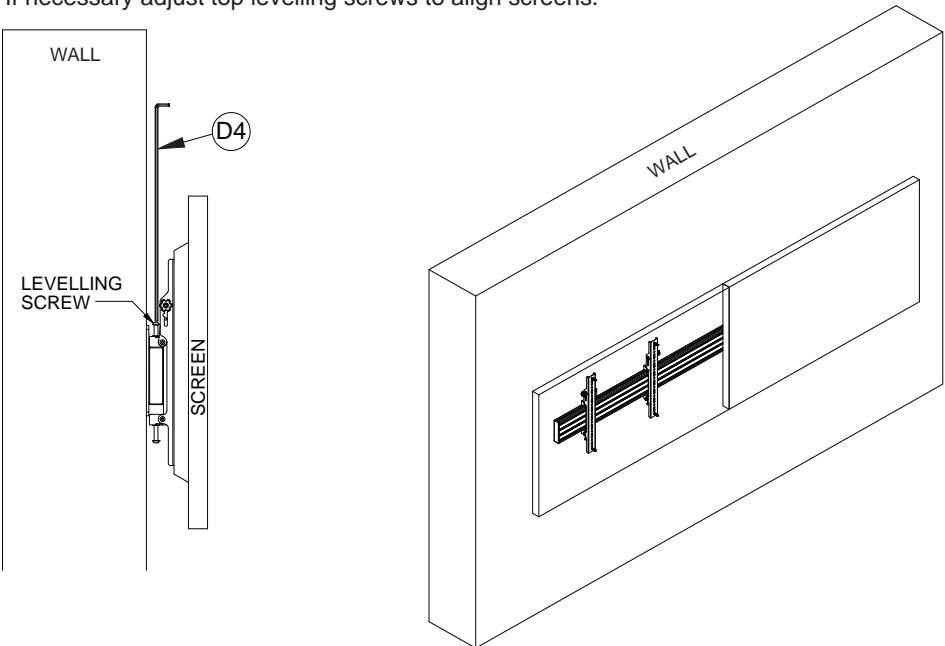
4A

Hook Screens onto Mounting Rail

Hook screen(s) to mounting rail. Secure mount by tightening safety screw on bottom of interface arm.

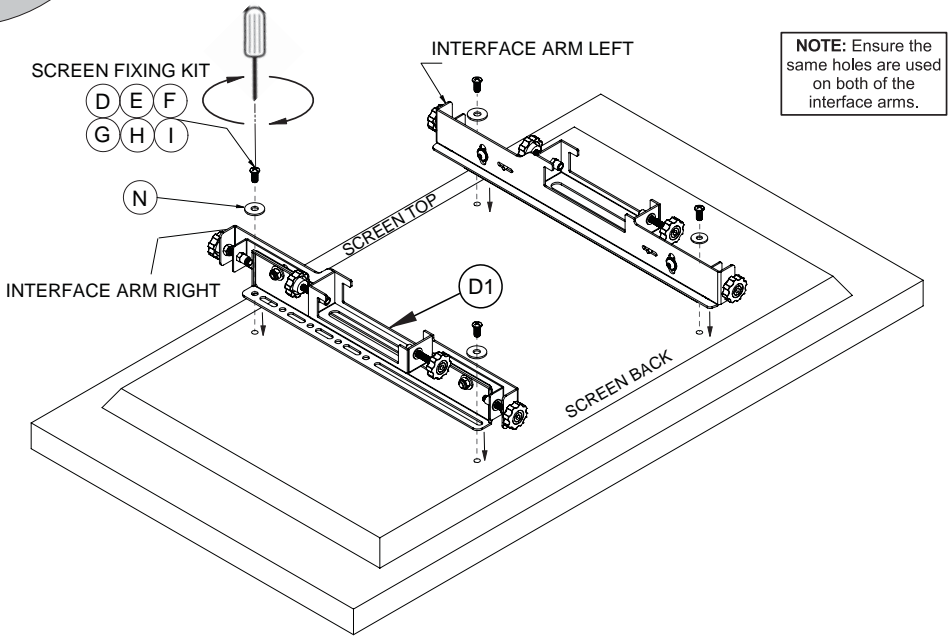


If necessary adjust top levelling screws to align screens.



3 B

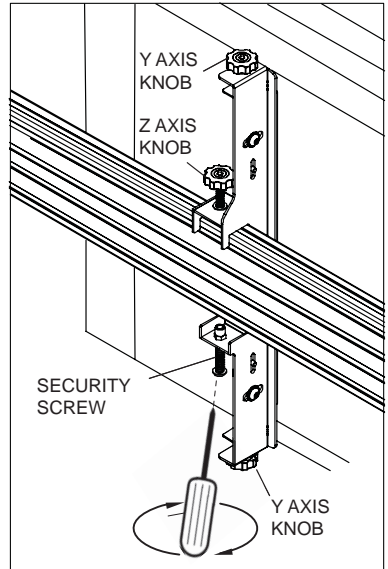
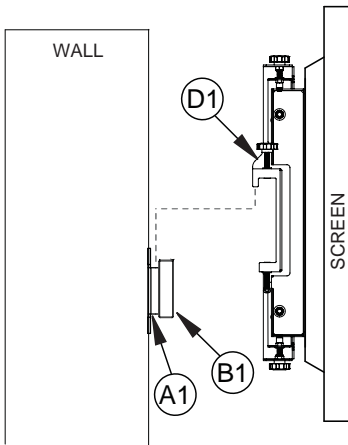
Installing Screens using the BT8390-VESA400MAF



4 B

Hook Screens onto Mounting Rail

Use the Y & Z micro-adjustment knobs on interface arms to align screens. When the screens are all positioned correctly, tighten the safety screws on the bottom of the interface arms (parts D1) to secure in position.

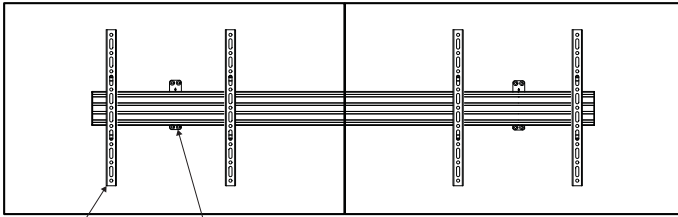


Total Z axis adjustment is 13mm
Total Y axis adjustment is 20mm

NOTE: Light pressure in the desired direction of travel will assist in the adjustment of knobs when using heavier screens

BT8330 TYPICAL INSTALLATIONS

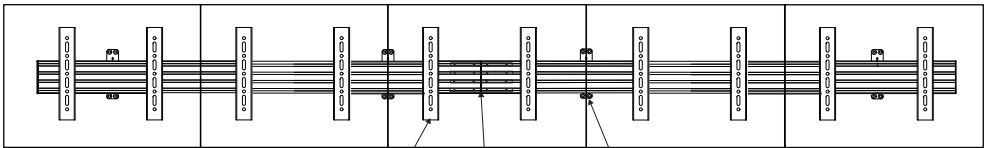
2 Screen Installation with Fixed VESA 400mm Arms



BT8390-VESA400F

BT8390-WFK1

5 Screen Installation with VESA 200mm Tilt Arms

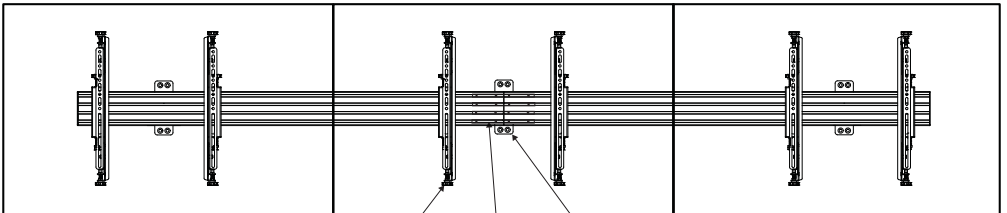


BT8390-VESA200T

BT8390-EXT

BT8390-WFK1

3 Screen Installation with Fixed VESA 400 Micro-Adjustment Arms



BT8390-VESA400MAF

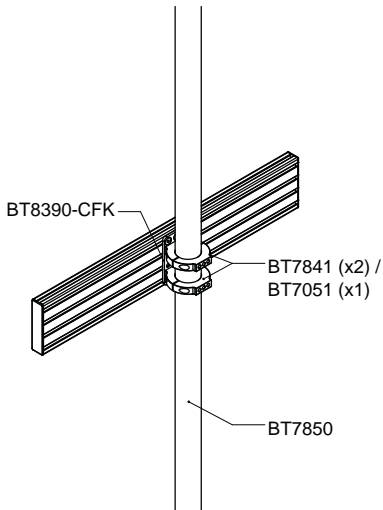
BT8390-EXT

BT8390-WFK2

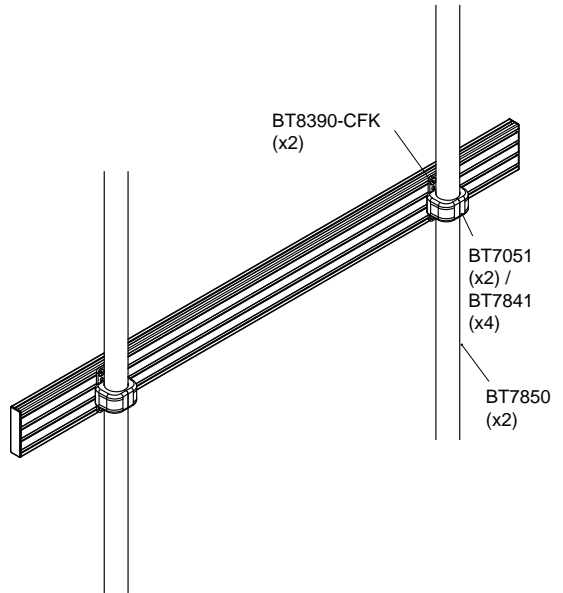
BT8330 POLE MOUNTING INSTALLATIONS

Use with a System 2 floor / ceiling mounts.

System 2 Single Pole Mounting

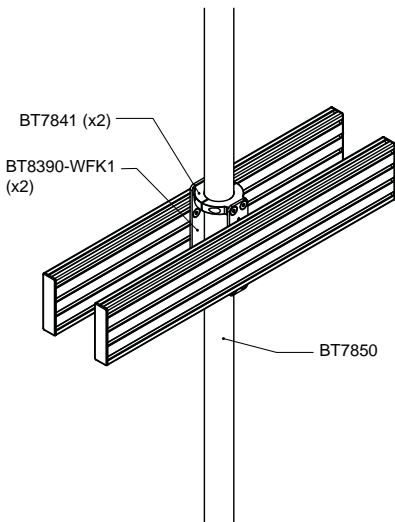


System 2 Twin Pole Mounting

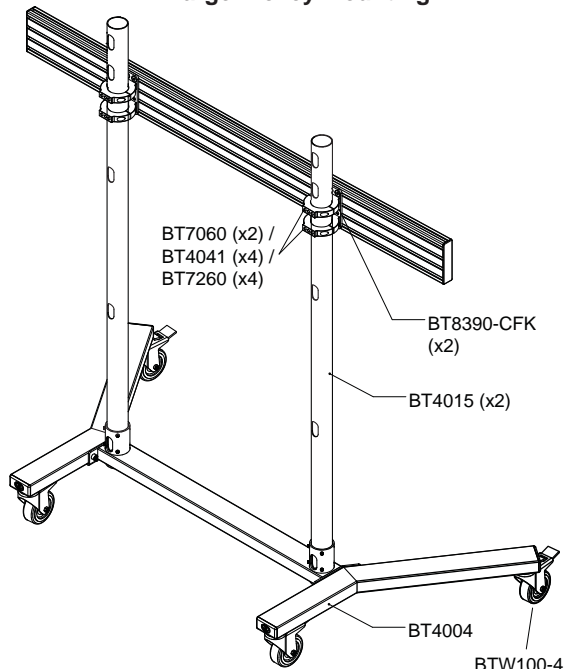


System 2 Back-To-Back Installation

BT8390-WFK1 must be used in back-to-back configurations



X-Large Trolley Mounting



For multi-rail ceiling/floor mount suggestions please refer to the BT8340

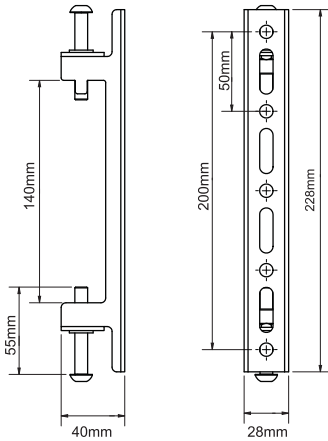
PRODUCT DIMENSIONS

INTERFACE ARMS

Depending on installation requirements the BT8330 Menu Board Mount will feature a selection of the following products.

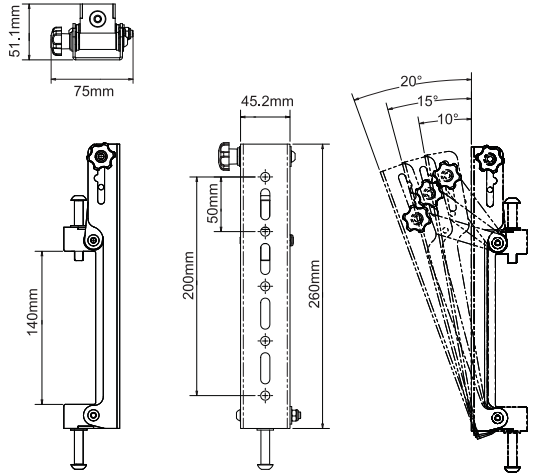
BT8390-VESA200F

Fixed VESA 200mm Interface Arms



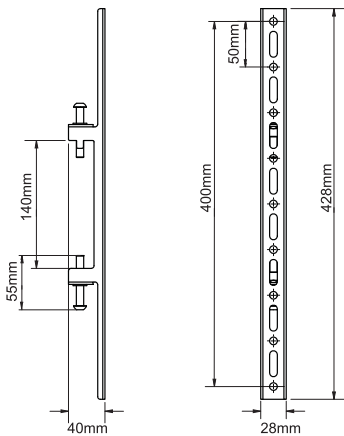
BT8390-VESA200T

VESA 200mm Interface Arms with Tilt



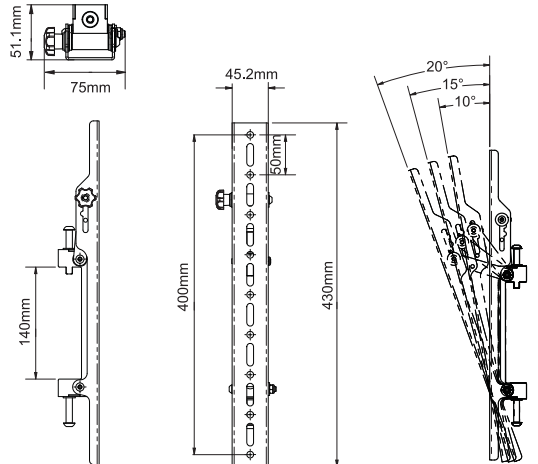
BT8390-VESA400F

Fixed VESA 400mm Interface Arms



BT8390-VESA400T

VESA 400mm Interface Arms with Tilt



THESE DIMENSIONS ARE INTENDED AS A GUIDE ONLY AND
B-TECH ACCEPTS NO LIABILITY FOR THE ACCURACY OF THE INFORMATION

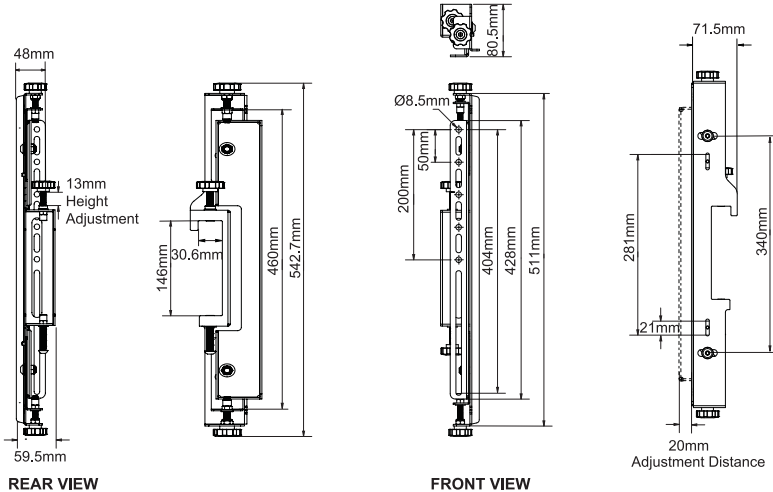
PRODUCT DIMENSIONS

INTERFACE ARMS AND WALL FIXING KITS

Depending on installation requirements the BT8330 Menu Board Mount will feature a selection of the following products.

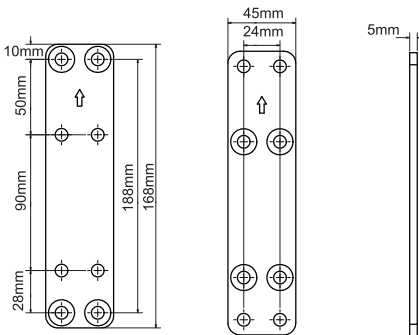
BT8390-VESA400MAF

Fixed VESA 400mm Interface Arms with Micro-Adjustment



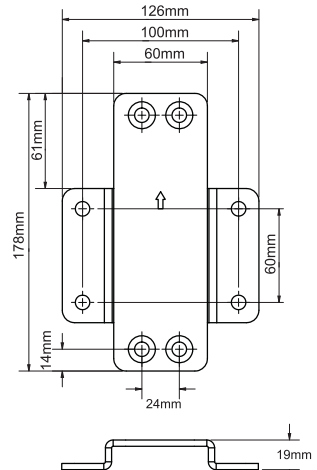
BT8390-WFK 1

Mounting Rail Wall Fixing Kit - Ultra Slim



BT8390-WFK 2

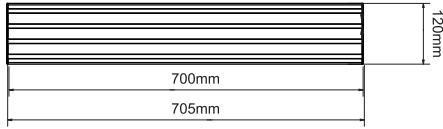
Mounting Rail Wall Fixing Kit



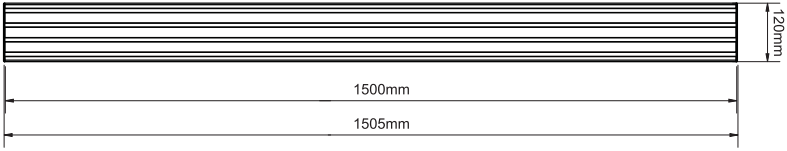
THESE DIMENSIONS ARE INTENDED AS A GUIDE ONLY AND
B-TECH ACCEPTS NO LIABILITY FOR THE ACCURACY OF THE INFORMATION

PRODUCT DIMENSIONS MOUNTING RAILS

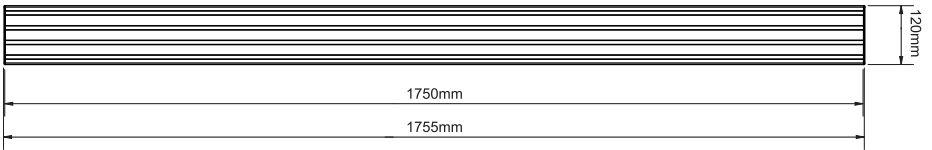
BT8390-070



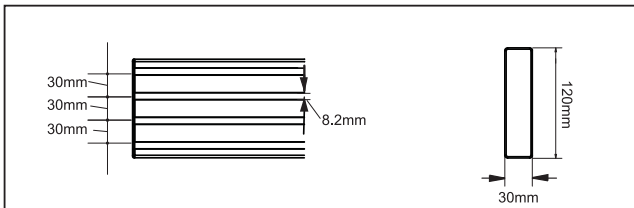
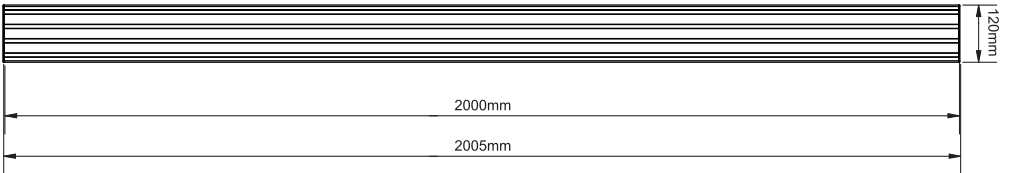
BT8390-150



BT8390-175

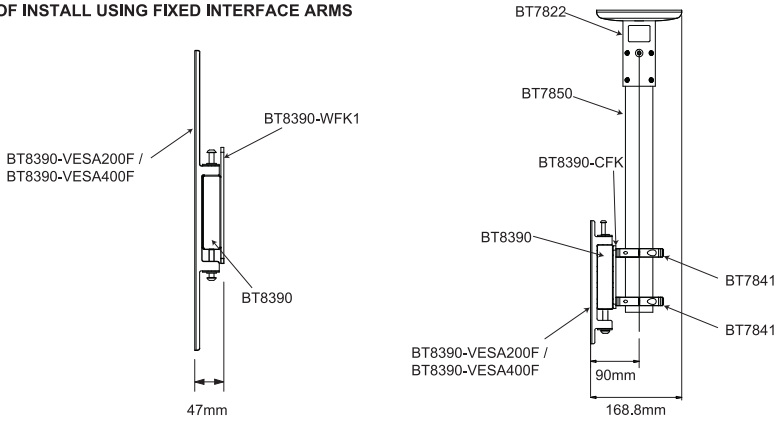


BT8390-200

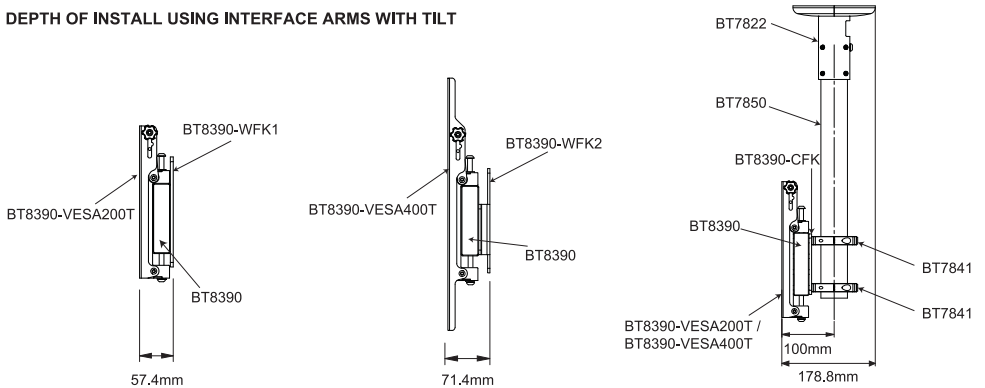


PRODUCT DIMENSIONS

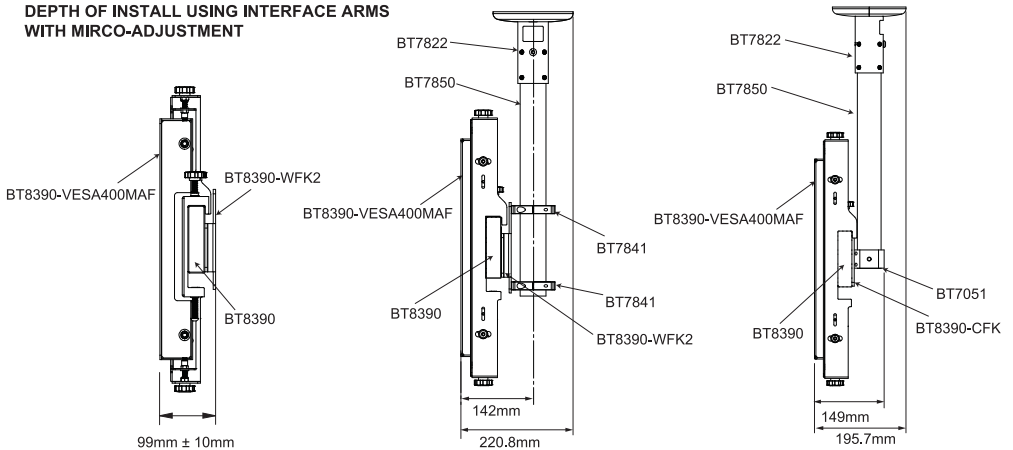
DEPTH OF INSTALL USING FIXED INTERFACE ARMS



DEPTH OF INSTALL USING INTERFACE ARMS WITH TILT



DEPTH OF INSTALL USING INTERFACE ARMS WITH MICRO-ADJUSTMENT





www.btechavmounts.com

B-TECH AUDIO VIDEO MOUNTS

HEAD OFFICE

B-Tech International Limited

Bennett House, Long March, Daventry, Northants., NN11 4NR, UK

Email: info@btechavmounts.com

©2016 B-Tech International Limited. All rights reserved.

B-Tech Audio Video Mounts is a division of B-Tech International Limited.

B-Tech, Better By Design & System X are registered trademarks of B-Tech International Limited.

All other brands and product names are trademarks of their respective owners.

Photographs are for illustrative purposes only. E&OE.