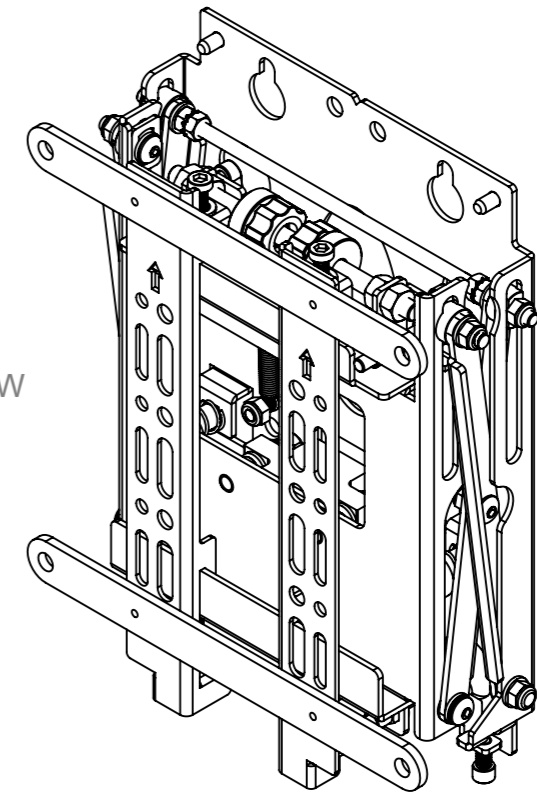
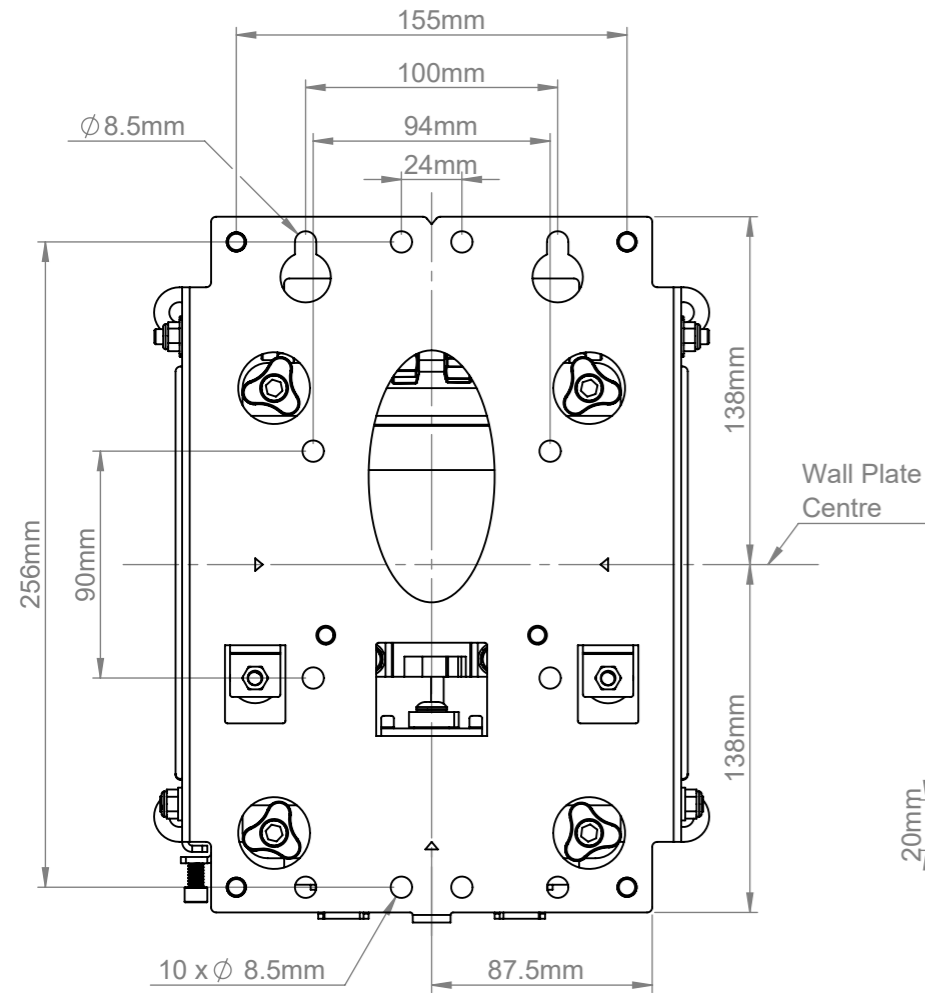


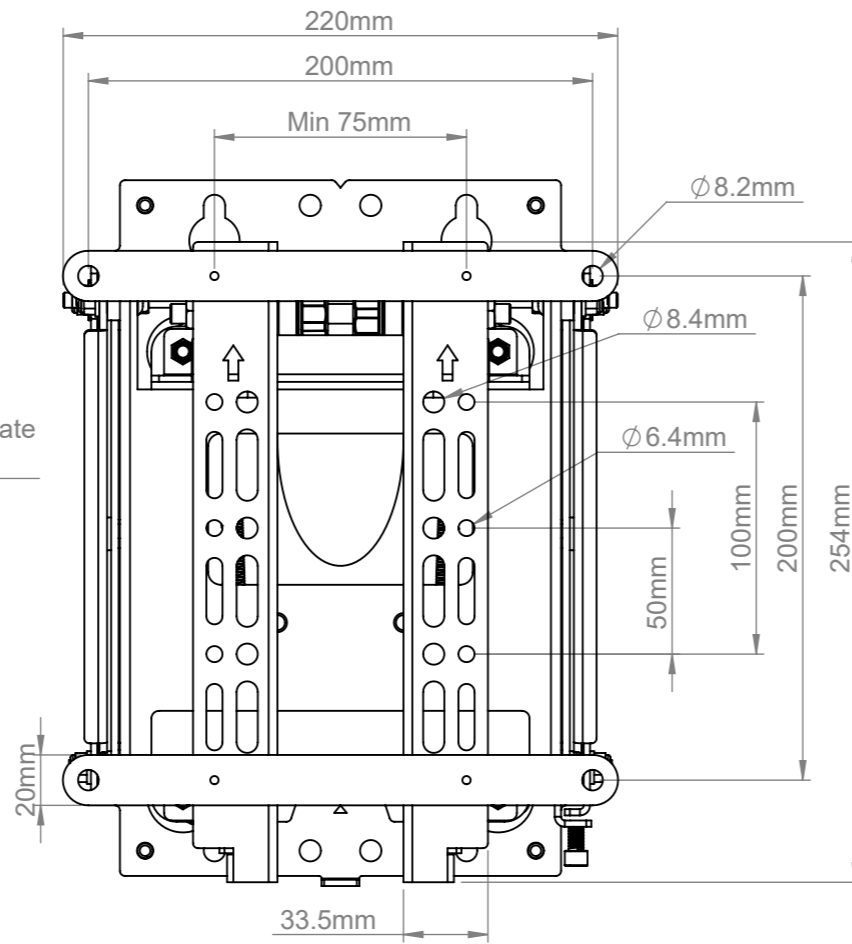
Top View



ISOMETRIC VIEW



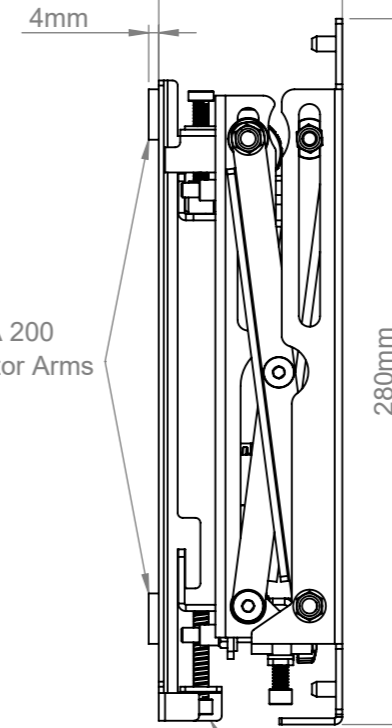
Rear View



Front View

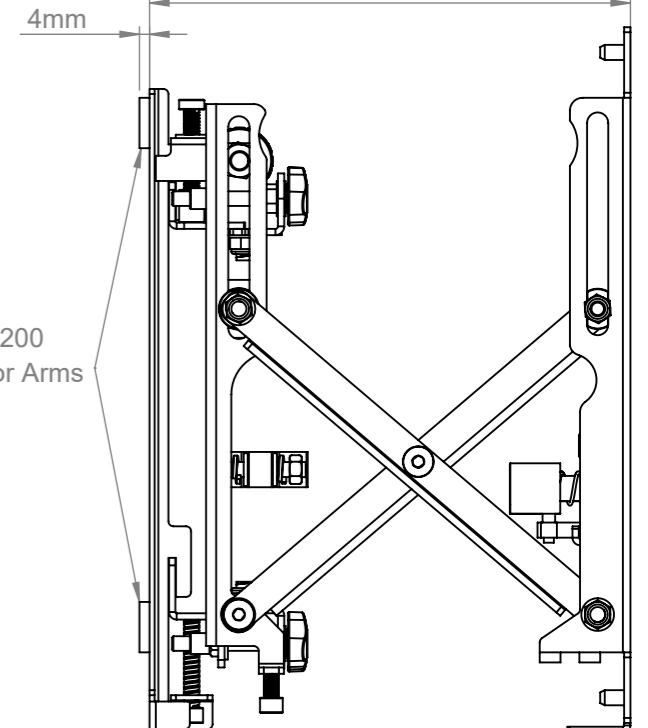
Min: 66.8mm ±1.5mm  
Mid: 72.8mm ±1.5mm  
Max: 78.8mm ±1.5mm

Min: 184.8mm ±1.5mm  
Mid: 190.8mm ±1.5mm  
Max: 196.8mm ±1.5mm



VESA 200  
Adpator Arms

Side View - Popped In



VESA 200  
Adpator Arms

Side View - Popped Out

Interface arms are set at the lowest point.  
Height adjustment range: 12mm

**B-Tech International Design & Manufacturing Limited**  
Part of the B-Tech International Group of Companies

**B-Tech No:** BT8309

**Title:** Pop-out Flat Screen Wall Mount - With Micro Adjustment



**Size:** A3  
**Scale:** 1:3  
**Sheet:** 1 of 1

**Revision:** R01

**Date:** 02/12/2021

**File Name:** BTD-BT8309